

CLASSIFICATION SECRET/SECURITY INFORMATION

CENTRAL INTELLIGENCE AGENCY  
INFORMATION REPORT



COUNTRY

Czechoslovakia

DATE DISTR. 12 Jun 1953

SUBJECT

Artistic Metal Production in Prague-Karnet and Kysely, National Corporation

NO. OF PAGES 5

50X1

NO. OF ENCLS. 3 (A,B,C)  
(LISTED BELOW)

PLACE ACQUIRED



SUPPLEMENT TO REPORT NO. 50X1

DATE ACQUIRED

DATE OF INFORMATION

THIS DOCUMENT CONTAINS INFORMATION AFFECTING THE NATIONAL DEFENSE OF THE UNITED STATES, WITHIN THE MEANING OF TITLE 18, SECTIONS 793 AND 794, OF THE U.S. CODE, AS AMENDED. ITS TRANSMISSION OR REVELATION OF ITS CONTENTS TO OR RECEIPT BY AN UNAUTHORIZED PERSON IS PROHIBITED BY LAW. THE REPRODUCTION OF THIS FORM IS PROHIBITED.

THIS IS UNEVALUATED INFORMATION

50X1



1. The output of the Karnet and Kysely Factory included the following:
  - (a) "Vzorny Vojak" (Model Soldier) badges for the Czechoslovak armed forces. These badges were made of "tombak", a precious alloy of yellow color. The order for these badges amounted to 75,000, but the daily output was only two to three hundred.
  - (b) "Dog's Head" badges for members of the Frontier Guard (PS). These were made of sheet metal and had the color of old Czech sterling silver. Production was continuous.
  - (c) Swagger sticks made of "tombak" which were either gold or silver in color. The daily output was 5,000 and the total order was for 50,000 sticks.
  - (d) Various kinds of uniform buttons for the Czech army.
  - (e) "Alpaka" silverware for the consumer.
  - (f) Badges for the district and local committees. The order was for 50,000.
  - (g) Badges for the Communist Party.
  - (h) Coats-of-arms.
  - (i) Signs for the frontier poles and the national enterprises
  - (j) Aluminum coins of one crown denomination. They were minted in September and October of 1951 under the permanent supervision of the Ministry of Finance.
  
2. The total number of employees was 110 including 30 white collar workers, 40 skilled workers, 30 women and 10 unskilled workers. The highest wage of a skilled worker was six thousand crowns per month; newly trained workers averaged four thousand crowns per month and women received about three thousand crowns per month. There was only one shift which was from 7 am to noon and 1 pm to 5 pm. In general, the morale of the workers was low because the wages were lower than when the factory was privately owned. Also, the working hours were longer. The director of the factory was Mr. Miroslav Cerny - 45 years old, 180 centimeters tall, slender, brown hair, and a dedicated Communist Party member. His deputy was Mr. Karnet, the former owner of the factory. He was 43 years old, 180 centimeters tall, had a heavy build and blond hair. The foreman of the mint was Mr. Hlavacek, a nominal Party member.

CLASSIFICATION SECRET/SECURITY INFORMATION

DISTRIBUTION											
										ORR EV	

SECRET

- 2 -

3. Although 75% of the employees were members of the Communist Party, most of them were only paper members. Communist propaganda was carried out by the local broadcast and posters; its success, however, was negligible. Attendance at Party meetings was very low.

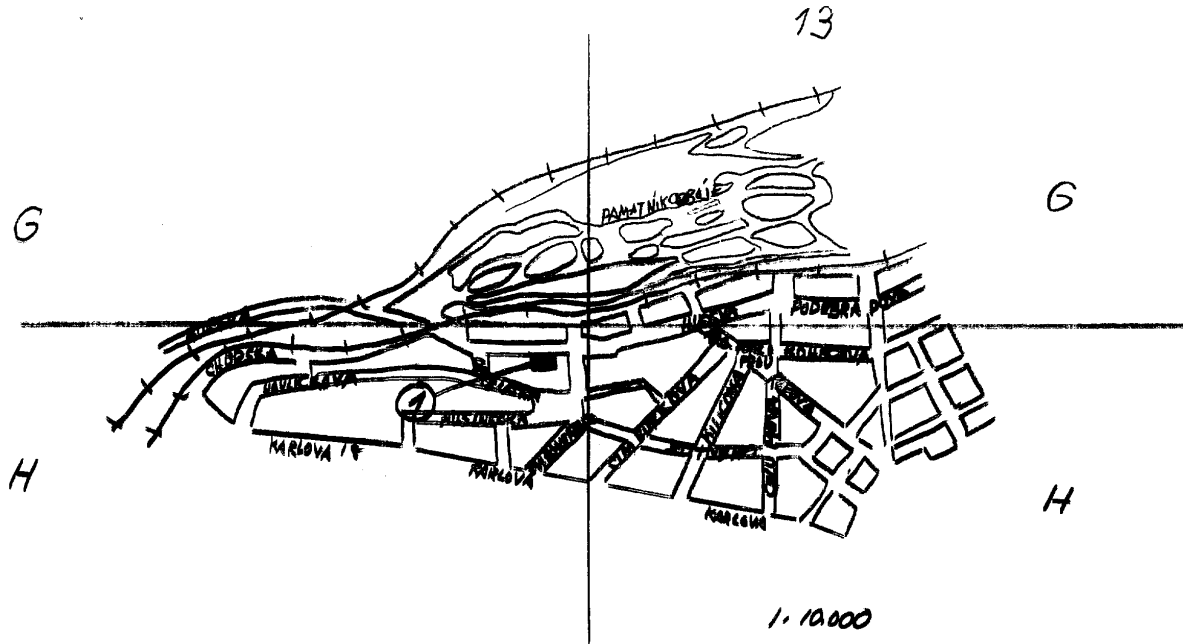
- end -

ENCLOSURE (A): Map of Part of Prague with Legend  
(B): Sketch of the Karnet and Kysely Factory with Legend  
(C): Sketch of Two Badges with Legend

CLOSURE (A)

SECRET

MAP OF PART OF PRAGUE WITH LEGEND



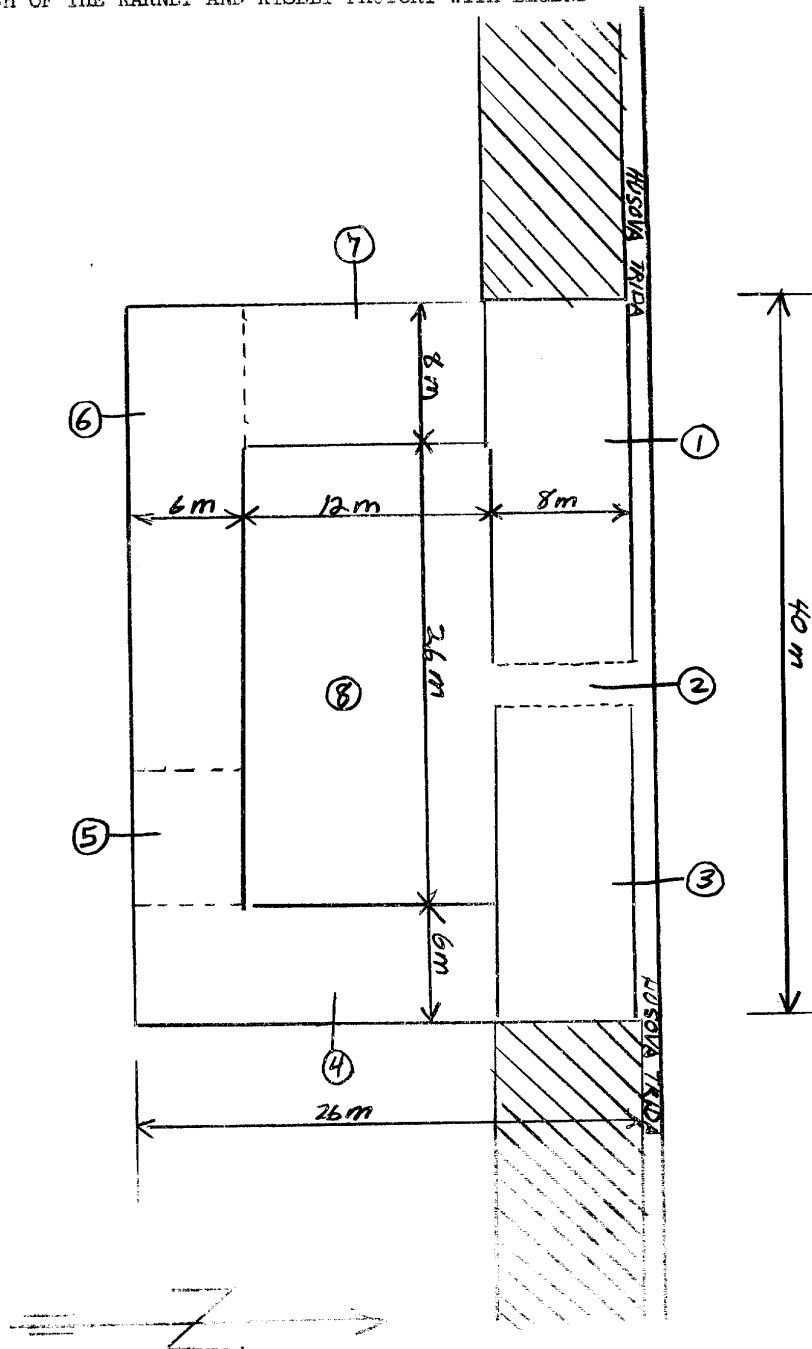
Legend

1... Karnet and Kysely, National Corporation

CLOSURE (B)

SECRET

## SKETCH OF THE KARNET AND KYSELY FACTORY WITH LEGEND



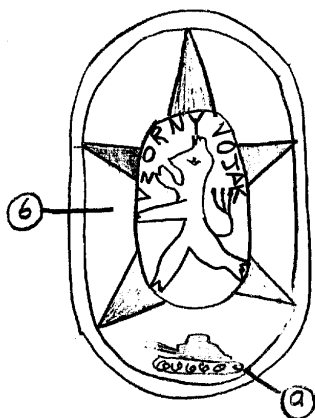
## Legend

- 1... A five-story brick dwelling house, covered with a tile roof.
- 2... Thoroughfare through the building into the yard.
- 3... Ground floor contains the forwarding department  
Second floor contains offices  
Third and fourth floors contain the engraving department  
Fifth floor contains machine tools, drilling machines, lathes, etc.
- 4... A ground-floor brick house covered with a tile roof. This is the mint.
- 5,6. No explanation given
- 7... A ground-floor brick house covered with a tile roof. This is the warehouse for the whole factory.
- 8... Yard.

ENCLOSURE (C)

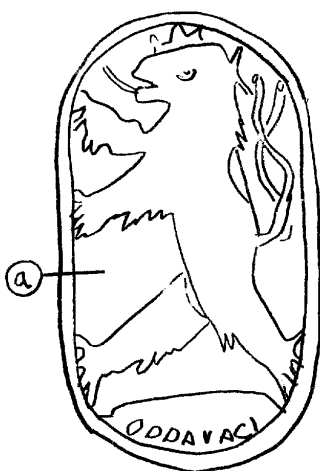
SECRET

SKETCH OF TWO BADGES WITH LEGEND



(1) Badge "Vzorný Voják"

- (a) This part of the badge varies with the unit to which the wearer is attached
- (b) Empty space



(2) Wedding coat-of-arms

- (a) Empty space