

147

CENTRAL INTELLIGENCE AGENCY
INFORMATION REPORT

This material contains information affecting the National Defense of the United States within the meaning of the Espionage Laws, Title 18, U.S.C. Secs. 793 and 794, the transmission or revelation of which in any manner to an unauthorized person is prohibited by law.

25X1

CONFIDENTIAL

COUNTRY	Poland	REPORT	[REDACTED]
SUBJECT	The Psychiatric Clinic of the Warsaw Medical Academy, Pruszkow	DATE DISTR.	10 December 1954
DATE OF INFO.	[REDACTED]	NO. OF PAGES	19
PLACE ACQUIRED	[REDACTED]	REQUIREMENT NO.	[REDACTED] 25X1
		REFERENCES	25X1

This is UNEVALUATED Information

THE SOURCE EVALUATIONS IN THIS REPORT ARE DEFINITIVE.
THE APPRAISAL OF CONTENT IS TENTATIVE.
(FOR KEY SEE REVERSE)

25X1

25 YEAR RE-REVIEW

CONFIDENTIAL

STATE	#X	ARMY	#X	NAVY	#X	AIR	#X	FBI	AEC					
-------	----	------	----	------	----	-----	----	-----	-----	--	--	--	--	--

(NOTE: Washington distribution indicated by #X. Field distribution by #F.)

25X1

CONFIDENTIAL

REPORT

COUNTRY Poland

DATE DISTR. 24 Sept 1954

SUBJECT The Psychiatric Clinic of the
Warsaw Medical Academy, Pruszkow

NO. OF PAGES 18

DATE OF INFORM

REFERENCES: 25X1

PLACE ACQUIRED

THIS IS UNEVALUATED INFORMATION

25X1

1. The Psychiatric Clinic of the Warsaw Medical Academy (Klinika Psychiatryczna Akademii Medycznej) was located in Pruszkow (N 52-10, E 20-50), 17 km. southwest of Warsaw, within the State Hospital for Nervous and Mental Disorders (Panstwowy Szpital dla Nerwowo i Psychicznie Chorych). The prewar Psychiatric Clinic of the Faculty of Medicine of Warsaw University was located in Warsaw at St. John's Hospital which was completely destroyed in 1944.
2. The Psychiatric Clinic occupied two red brick buildings:
 - a. A large "H"-shaped building, partly one story and partly two stories, which was called Pavilion IV (Pawilon IV) and housed the men's section (oddzial meski), the office of the professor in charge (the director), and most of the clinic's laboratories and consultation rooms. For a detailed description of facilities, see Enclosures 1 and 2.
 - b. The second building was smaller, had two stories, and was called Pavilion VI. This building housed the women's section (oddzial kobiecy). For detailed description of the facilities, see Enclosures 3 and 4.
3. The Psychiatric Clinic was directly subordinate to the Medical Academy in Warsaw in matters concerning the training of students and scientific research. With respect to administrative matters the clinic was dependent upon the State Hospital for Nervous and Mental Disorders which was responsible for housing, hospital and medical equipment, bedding, clothing, drugs, and food for patients. In addition to this, the Psychiatric Clinic received small amounts of money for such expenses as stationary, transportation, and the repair of medical

CONFIDENTIAL

25 YEAR RE-REVIEW

CONFIDENTIAL

- 2 -

25X1

equipment from the Medical Academy through the State Clinical Hospital of the Medical Academy in Warsaw.

4. Professor Doctor Jozef HANDELSMAN was director of the clinic. Personnel at the clinic could be divided into the following groups:
 - a. Professional: Ten doctors of medicine who were psychiatrists (eight of these were women); two social psychiatric assistants; one laboratory technician; 15 male nurses and ward attendants, and 18 female nurses and ward attendants.
 - b. Administrative: With the exception of one secretary there was no administrative personnel. All such duties, which were not handled by nurses and attendants, were taken care of by the administrative personnel of the State Hospital.
 - c. Patients: On an average there were 70 to 74 female patients and 92 to 98 male patients.

The medical students came to the clinic only once a week, on Saturdays for two hours, for lectures and practical training. Except for records of their training and examinations, the clinic had no responsibilities in connection with the students. Personnel matters and salaries of the educational staff (doctors of medicine) were handled either by the State Clinical Hospital of the Medical Academy in Warsaw or by the State Hospital for Nervous and Mental Disorders in Pruszkow. The case histories of those patients released from the clinic were kept in the files of the State Hospital for Mental and Nervous Disorders.

5. The equipment of the Psychiatric Clinic was not adequate even in comparison with low post-war standards in Poland. Ward equipment such as furniture, bedding, bed linen, and clothing was all worn and was rarely replaced. There was hardly more than a change of bed linen, personal linen, and clothing. This amount was inadequate since the patients were very hard on such items. The surgical equipment, dressings, and drugs were supplied by the State Hospital and small quantities were kept on hand in each section of the Psychiatric Clinic. Only on rare occasions were special drugs, needed for research, supplied by the Medical Academy. The medical, educational, and research equipment, as well as the library, which was owned and administered by the Psychiatric Clinic, consisted almost entirely of equipment inherited in 1947 from the former Faculty of Medicine of Warsaw University. There were two ophthalmoscopes, one electroencephalograph, three microscopes, one slide projector, one still camera and one movie camera with projector and duplicator, two centrifugal separators, and one special apparatus for testing conditioned reflexes which was received in 1953.
6. The wards and rooms for patients were rather simply equipped with only beds, benches, and, in the smaller rooms, bed tables. The doors within the wards had no handles and those leading to the outside were always locked. Doctors and attendants opened these doors with special keys. During 1947 and 1948 there were always from one to five beds empty in both the men's and women's sections, but after 1949 the wards were filled to capacity and it was usually necessary for more than 20 patients to sleep on mattresses on the floor. The women's section in Pavilion VI had only 64 beds from 1949 to 1954 but usually about 70 patients were kept there. The men's section in Pavilion IV had 96 beds in 1947. In 1949 the number of rooms in use was reduced to accommodate 83 beds and remained

CONFIDENTIAL

CONFIDENTIAL

- 4 -

25X1

0800 to 1300Daily visits, examinations, and treatment by doctors. In their spare time the doctors worked on their own in private examination rooms. (At 11:00 there was a break and all doctors gathered in one of the rooms for tea.)

1200Lunch for patients

1600 to 1900Afternoon treatment, injections and issuing of drugs, artificial feeding, etc., supervised by the doctor on duty.

1700Supper for patients

2100All patients were required to be in bed. (A dim light was kept on in all wards during the night.)

12. The working day for doctors lasted from 0800 to 1300 hours. In addition they took turns serving duty from 1300 to 1900 hours three or four times a month. Thus, their working week consisted of 36 hours. A check-in list had to be signed by all doctors, except the director. From 1900 to 0600 hours the doctor on duty at the State Hospital was also in charge of the Psychiatric Clinic. In cases of emergency one of the resident doctors was called.

13. The ward attendants were on duty for 24 hours and worked in three shifts:

In the men's section: Six ward attendants from 0600 to 1400 hours.
Three attendants from 1400 to 2200 hours.
Two from 2200 to 0600 hours.

In the women's section: Six ward attendants from 0600 to 1400 hours.
Four attendants from 1400 to 2200 hours.
Three from 2200 to 0600 hours.

The working day for nurses was from 0600 to 1400 hours and from 1600 to 1800 hours. From 1800 to 0600 only one nurse (from the State Hospital) was on duty.

14. Except Tuesdays, the director started his work every morning at 0800 hours. His daily program began with a short conference with the deputy professor after which he accepted visitors such as students and relatives of the patients, and made decisions on matters which could not be settled by his deputy. He did not visit the wards daily but examined patients in his private consultation room. He examined each patient at least two times - the first time immediately after arrival and the second time after the psychiatric test had been made by the assistant in charge of the patient. (Each assistant was usually in charge of about 20 patients.) After this examination, diagnosis and treatment was determined by the director. The usual weekly program at the Psychiatric Clinic was as follows:

Monday. At about 0830 hours the director began examinations of patients from the men's section who were introduced by the assistant in charge. All other doctors were allowed to remain during these examinations. At 1100 hours he began examination of patients from the women's section. The doctors, each of whom were responsible for about 20 patients, usually began their day by visiting the wards. Prior to going, the doctor examined the temperature readings and written reports regarding the behavior of the patient during the last 24 hours.

CONFIDENTIAL

CONFIDENTIAL

- 5 -

25X1

Tuesday. The director was not at the clinic on Tuesdays. (He was a voivodship psychiatric consultant and in this capacity had to inspect one of the psychiatric hospitals or the Central Consulting Station for Psychiatry on this day.) During his absence the deputy professor was in charge. The doctors were occupied with their routine work.

Wednesday. The director was, as a rule, occupied with his work at the clinic or with examining outside patients until 1100 hours. At 1100 hours each Wednesday there was a conference at the clinic. The director presided and all doctors from the Psychiatric Clinic, from the Psychoneurological Institute, from the State Hospital for Nervous and Mental Disorders, and from the Central Consulting Station for Psychiatry attended, in addition to certain other doctors, mostly young, from other institutes and clinics. At these conferences one or two cases were usually demonstrated by the responsible psychiatrist. There was always a discussion concerning diagnosis and treatment after each demonstration. Once every six to eight weeks the reading of a foreign medical publication, usually Russian, took place instead of the usual demonstration of cases.

Thursday. The director usually examined patients from the men's section until 1100 hours from the end of October to 15 May. (From 15 May until the end of October he examined students at this time.) All the doctors were engaged in their routine work. A lecture on the Pavlov theory was given by Senior Assistant Dr. PIAKOWSKA from 1100 to 1300 hours. All doctors were required to attend. Usually one paragraph from Lectures on the Functions of the Brain by Pavlov was discussed as in a seminar. In addition, everyone was supposed to study this subject during the week. However, slight attention was paid to this and consequently the same program which was conducted in 1952 - 1953 had to be repeated during the year 1953 - 1954.

Friday. In the early morning the director was engaged in his own work. At 1000 hours he began the examination of patients from the women's section. The deputy professor usually inspected the wards at this time. Other doctors were engaged in routine duties.

Saturday. Each Saturday, from 0815 to 1000 hours, the director gave a two-hour lecture to the students in the theater auditorium at the State Hospital. Cases were usually demonstrated during the lectures. During the school year the professor usually held approximately 60 hours of lectures but only about 70% of the students attended. After the lecture, from 1000 to 1200 hours, half of the students attended practical training. One half of the students were given this training during the fall semester, the other half during the spring. The students were divided into six groups, each of which was trained and supervised by an assistant. The training consisted of demonstration of cases and examination of patients by the students who, in this way, became acquainted with methods of examination and diagnosis.

Sunday. Only the doctor on duty was present at the clinic from 0900 to 1300 hours. The other doctors were off duty. The director was generally present from 0900 to 1030 hours. He accepted visitors during this time, sometimes examined students, and held special consultations.

CONFIDENTIAL

CONFIDENTIAL

- 6 -

25X1

15. The professional level of the doctors employed at the Psychiatric Clinic was, with respect to experience and medical ability, quite satisfactory. The senior assistants were well-trained and capable in performing their teaching functions. The junior assistants were still being trained in their specialized fields and gaining experience from conferences and discussions with the professor during case demonstrations. Most of the doctors liked their jobs, were interested in special cases, and discussions were spirited and lively. Of the senior assistants only two were well acquainted with the Pavlov theory but all assistants were acquainted with it to the extent of being able to discuss it with students. The assistants did not, however, spend as much time reading and studying Polish and foreign medical publications as they should and their interest in science and research was limited despite pressure exerted by the director. This was partly due to overwork since every doctor had outside work in addition to his duties at the clinic and also to the fact that time was lost going to and from work. (Most doctors lived in Warsaw.) The work was performed satisfactorily as a rule but almost all doctors were behind on their case histories and they seldom stayed in the clinic after hours. The doctors displayed an ethical attitude but some did not show sufficient interest in the well-being of the patients as far as occupational therapy and recreation were concerned. Doctors were on friendly terms with each other but there were no close social relationships because their places of residence were too scattered as a result of the housing difficulties. With the exception of one young doctor, no doctors were members of the Communist Party and they discussed politics freely among themselves.
16. The two psychiatric assistants (social workers) were neither enthusiastic about their jobs nor were they particularly interested in the well-being of the patients. Both were graduates of the State High School for Psychic Hygiene (Panstwowa Wyzsza Szkola Higieny Psychiczej). (This school was closed in 1950.) Most of their time was spent writing case histories to be sent to the Central Consulting Station of Psychiatry after the discharge of the patient. They also spent about one and one-half hours daily observing patients who had received insulin treatments. They sometimes visited the families of patients to make inquiries. But the problem of organizing proper recreational activities for the patients was not handled properly, chiefly because the director was not particularly interested in this phase of the work.
17. The performance of duties by ward attendants and nurses was only satisfactory. [redacted] this could be attributed to their poor 25X1 education; most of them had attended elementary school only. The majority of attendants were from 30 to 40 years old and had been employed at the Psychiatric Clinic for about 10 years. During this time they had gained a good deal of practical experience though real training consisted of only a brief period at the Hospital for Nervous and Mental Disorders at the time of employment. They showed no understanding of the patients, lacked the ability to observe and report, and their incompetence sometimes took the form of commands and severe measures. When a patient became excited or violent he was bound to the bed by strips of coarse cloth; straight jackets were seldom used. The patients were given sedatives. There were cases of beating and maltreatment. Investigation was useless because the patients were afraid to say anything against the attendants and the management was afraid to discharge unsatisfactory personnel because it was difficult to find replacements, especially men, who could earn more in industry.

CONFIDENTIAL

CONFIDENTIAL

- 7 -

25X1

18. There was only one fully qualified nurse; she was a graduate of the two-year State School for Nurses. The other male and female nurses were promoted from their positions as ward attendants. They had had only the half-year training course at the State Hospital and for this reason their qualifications were below standard.
19. On the whole, the ward attendants and nurses did their jobs as well as they could. About 10% of this auxiliary personnel were members of the PZPR; the fact that they were members was well-known.
20. The following table gives salaries for personnel at the Psychiatric Clinic (basic salary plus 40% supplement for psychiatric work, after tax deductions)

<u>Position</u>	<u>Salary (in zloty per month)</u>
Director.....	about 2,260
Deputy professor	about 1,496
Senior assistant	about 1,410
Junior assistant	about 1,160
(with doctor's degree)	
Junior assistant	about 840
(without degree)	
Psychiatric assistant	about 920
(social worker)	
Laboratory technician	about 800
Qualified nurse	about 760
Junior nurse	about 702
Ward attendant	about 618

Some of the senior ward attendants also received about 90 zlotys monthly as a supplement for performing certain administrative duties.

21. Ward attendants often received additional voluntary contributions from the families of patients for "special attention". Accepting money was strictly forbidden but this was impossible to check and it did actually improve the care of the patients. In addition some of them benefited, without making payment, from meals during working hours, and from the use of bed linen, soap, washing powders, and floor polish supplied to the clinic. Those attendants who lived at the clinic paid very little for their rooms and were subject to a fixed wholesale price for electricity because there were no individual meters.

22. The following table shows the yearly periods of leave to which personnel of the Psychiatric Clinic were entitled:

Director	two months
Assistants	six weeks
Nurses	four weeks
Ward attendants	15 days
Ward attendants	one month
(after 10 years' service)	

CONFIDENTIAL

CONFIDENTIAL

- 8 -

25X1

23. The food for patients was prepared in the main kitchen of the State Hospital, brought by patients to the ward kitchens, and distributed there. The food was served on metal plates and eaten with spoons. The three meals served each day usually consisted of the following:

Breakfast: Coffee with milk and bread with jam or butter.

Lunch : Soup, a vegetable, a main dish of macaroni or dumplings with meat only four times a week, occasionally eggs.

Supper : Tea, bread with seasoned meat or sausage, or bread with jam or butter, sometimes grits with milk.

Meals, especially lunch, were substantial and there were always second helpings for those who wanted them. Additional food, usually bread with sausage and butter, was served in the afternoon for those who needed it. There were special diets including a salt-free one for those who required such diets. The patients who worked at the hospital farm received an additional meal in the afternoon and 5 to 10 cigarettes daily. Some patients were fed artificially once or twice a day. They received about 1½ liters of liquid food which contained milk, butter, oats, sugar, salt, eggs, and vitamins. About 50% of the patients received additional food from their families. This was kept in the ward kitchen and distributed by attendants when desired by the patient.

24. Patients were required to deposit their money with the hospital cashier upon entering the clinic. If money was needed for candy or cigarettes, usually bought by one of the attendants for the patients, it was given to the nurse with the permission of the doctor in charge. Only those patients who were permitted to go out were allowed spending money and then only when authorized by the doctor.
25. All letters sent to patients and letters written by them were checked by the doctor in charge of the patients. Really absurd letters were kept in the patient's file but letters addressed to the state public prosecutor, no matter how nonsensical, with complaints about the clinic had to be forwarded. As a result the prosecutor sometimes came to the clinic to investigate but [redacted] only two such occasions during the last few years. 25X1
26. Families were permitted to visit patients each Thursday between 1300 and 1600 hours and on Sundays and holidays between 1000 and 1200 hours and 1400 and 1600 hours. Visits were supervised by ward attendants to ensure that no drugs, sharp instruments, or letters were given to the patients. Gifts of food were permitted. No children were allowed as guests.
27. Hygienic conditions at the Psychiatric Clinic were poor; the men's section was particularly bad. (Lice were found there twice during 1953.) The patients were indifferent about washing and the attendants paid slight attention to their cleanliness. There were frequent water shortages (two to four times each month) which sometimes lasted from one to three days and in addition the pressure was often low even when water was available. New patients frequently could not be bathed upon arrival and the rest rooms, despite the fact they were disinfected every day, were not sufficiently clean. There was an inadequate supply of bed and personal linen and the laundry was irregular. At one time the bed linen in the men's section was not changed for six weeks. There always seemed to be enough water for dishes which were washed in the ward kitchen.

CONFIDENTIAL

CONFIDENTIAL

- 9 -

25X1

28. The State Hospital in which the Psychiatric Clinic was located was not connected to the Pruszkow city water system. It had an installation of its own with a well and pump. The pump, however, was old and worn out and was the chief cause of the poor water supply. Plans were underway to construct a new installation but no money had been available.
29. There was no central heating at the clinic; tile stoves were used. The stoves were old, did not function well, were dirty, and a constant cause of trouble. It was, however, warm enough during winter months in the wards and the patients' rooms. The corridors, consultation rooms, and laboratories were never properly heated, principally because there was no personnel to attend to this. Electricity was supplied by the Pruszkow power station; there was no supply of gas.

Enclosures:

1. Pavillion IV, first floor of the Psychiatric Clinic of the Warsaw Medical Academy. A Sketch - Scale: 1:400 25X1
2. Pavillion IV, second floor, of the Psychiatric Clinic of the Medical Academy. Sketch - Scale: 1:400 25X1
3. Pavillion VI, first floor, of the Psychiatric Clinic of the Medical Academy. Sketch - Scale: 1:400 25X1
4. Pavillion VI, second floor, of the Psychiatric Clinic of the Medical Academy. Sketch - Scale: 1:400 25X1

CONFIDENTIAL

CONFIDENTIAL
-10-

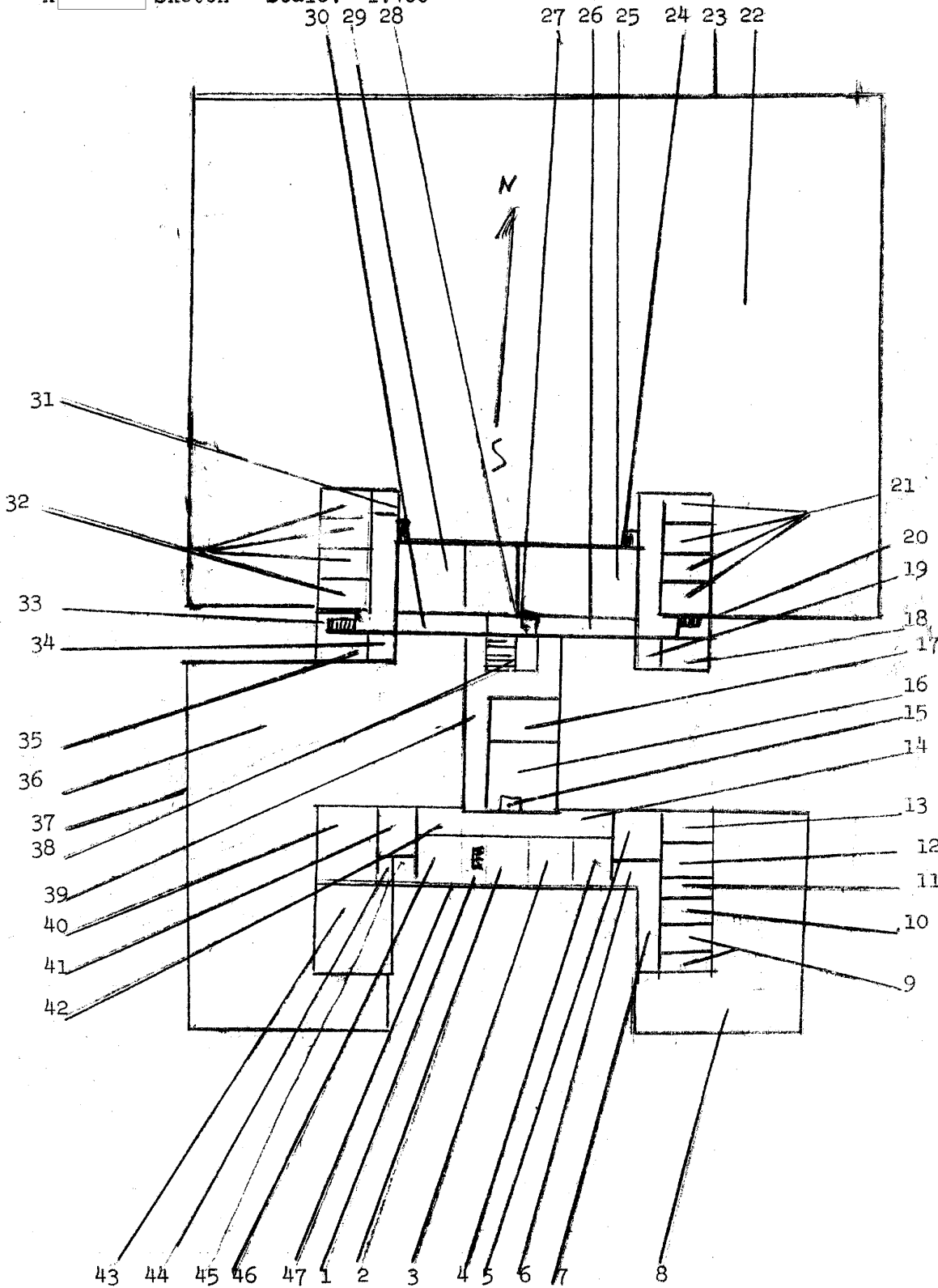
25X1

Enclosure 1.

Pavillion IV, first floor of the Psychiatric Clinic of the Warsaw Medical Academy.

A Sketch - Scale: 1:400

25X1



CONFIDENTIAL

CONFIDENTIAL
- 11 -

25X1

Legend to Enclosure 1.
Pavillion IV,
Men's Section of the Psychiatric Clinic of the Medical Academy, first floor.

1. Main entrance.
2. Senior ward attendants' room, also used as a dispensary and for preparation and storage of drugs.
3. Consultation room assigned to two assistants; equipped with desk, sofa, one armchair, and two straight chairs.
4. Testing laboratory equipped with three microscopes, one electrical and one hand-operated centrifugal separator, and laboratory glass used for testing blood, urine, and spinal fluid.
5. Small waiting room also used as conference room.
6. Rest room.
7. Corridor.
8. Garden for patients (surrounded by brick wall).
9. Consultation room for assistants.
10. Room equipped for testing reflexes by the Ivanov-Smolenski method.
11. Linen closet.
12. Secretary's office. Telephone located here.
13. Professor's consultation room. Equipped with desk, sofa, bookcases (containing some books from the clinic) library, and chairs.
14. Corridor.
15. Rest room.
16. Bathroom for patients, containing showers and one bathtub.
17. Room assigned as private apartment to a married couple, both of whom were clinic ward attendants. In addition to the couple, their parents and two children lived in this room.
18. Bathroom for patients, containing two bathtubs, one shower, and three wash basins.
19. Rest room.
20. Side exit with stairs leading to basement and second floor, (always kept locked).
21. Four rooms for patients, each containing four beds.
22. Small garden for patients. Used only in summer.
23. Brick wall, about 2.20 m. high, surrounding the garden.

CONFIDENTIAL

CONFIDENTIAL

- 12 -

25X1

Continuation of Enclosure 1.

24. Side exit which leads directly into the garden. There is a similar exit in the opposite corner.
25. Main ward for patients requiring insulin treatment. Contains 23 beds.
26. Corridor. Also used for shock treatment and for visitors.
27. Low passage under the stairs leading to basement.
28. Ward for patients who require close observation. Contains 8 beds.
29. Patients' room used during the day as recreation room by those not required to remain in bed.
30. Corridor equipped with tables and benches. Also used as dining room along with room described under No. 29.
31. Ward attendants' room.
32. Four small rooms for patients, each containing three or four beds.
33. Side exit and stairs, similar to No. 20.
34. Rest room.
35. Bathroom, similar to No. 18.
36. A garden used by patients from the adjoining wing.
37. Brick wall surrounding garden. Part of western side is wire fence.
38. Stairs leading to second floor.
39. Main corridor.
40. Ward for patients who are permitted to walk on the hospital grounds. Contains seven or eight beds.
41. Dining room for patients, equipped with tables and benches.
42. Small corridor.
43. Ward for patients. Contains 12 to 15 beds.
44. Corridor with wash basins.
45. Rest room.
46. Consultation room for one of the assistants.
47. Entrance to the basement. Under bathroom No. 16 is the boiler room. Under rooms No. 2 and 3 is a kitchen which is used for heating and distributing the food brought from the main hospital kitchen.

CONFIDENTIAL

CONFIDENTIAL
- 13 -

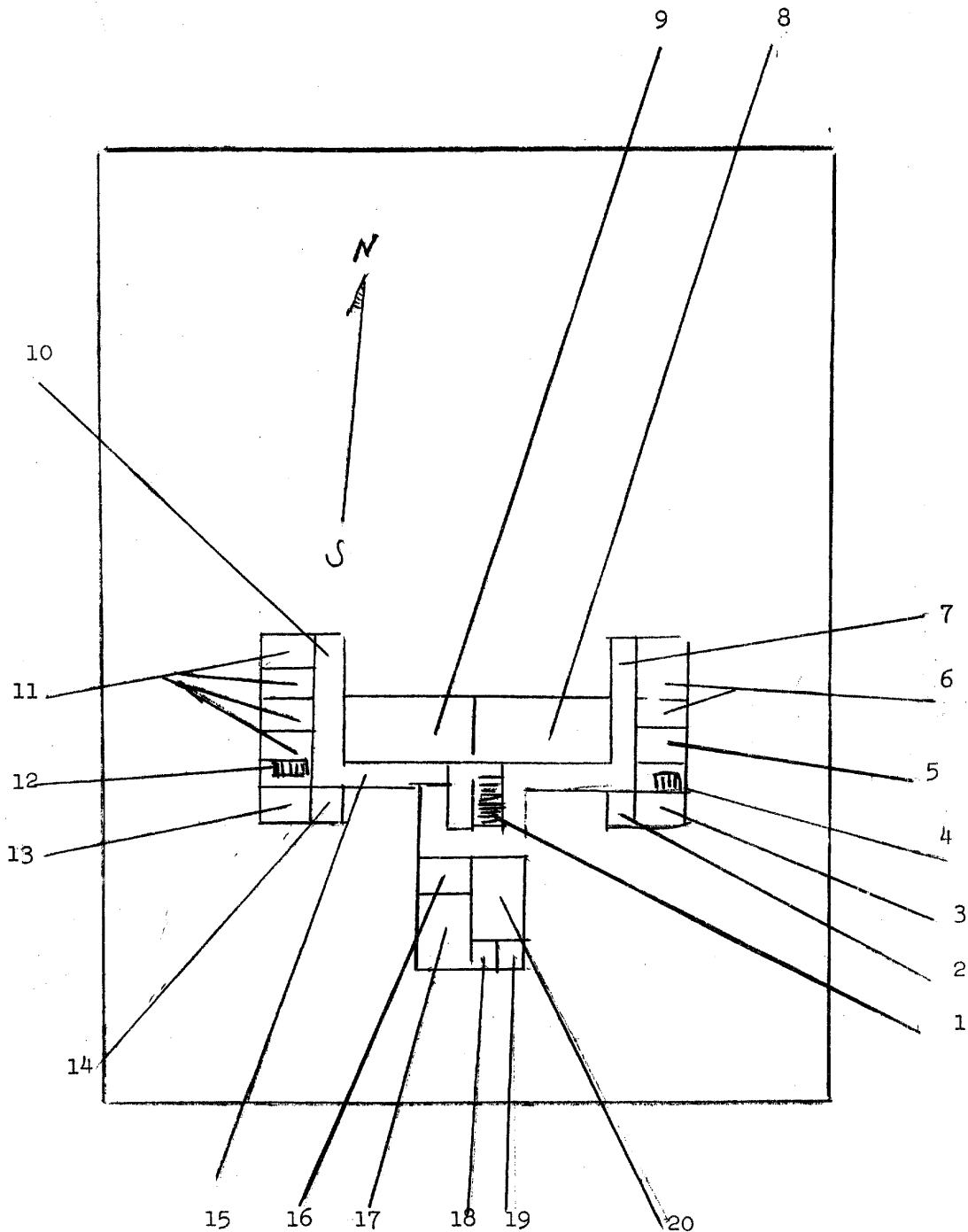


25X1

Enclosure 2

Pavillion IV, second floor, of the Psychiatric Clinic of the Medical Academy.
Sketch - Scale: 1:400

25X1



CONFIDENTIAL

CONFIDENTIAL

- 14 -

25X1

Legend to Enclosure 2,
Pavillion IV, Men's Section of the Psychiatric Clinic of the Medical
Academy, second floor

1. Main entrance.
2. Rest room.
3. Room assigned to the cook as a private apartment.
4. Stairs.
5. Room assigned to a ward attendant as a private apartment. She lives here with her daughter and granddaughter.
6. Room assigned to the deputy professor as a private apartment. 25X1
7. Corridor.
8. Small lecture room and conference room which could seat about 50 people. The clinic library was also located here.
9. Recreation room used by patients from Wards No. 40 and 43 located on the first floor.
10. Corridor.
11. Three small rooms assigned as private apartments. A laboratory assistant with his wife and three children lived in one of these rooms. The other rooms were used by nurses and ward attendants.
12. Stairs.
13. Room assigned to a ward attendant as a private apartment; occupied by the attendant and her son.
14. Rest room.
15. Corridor.
16. An empty room which was to be used as second testing room for conditioned reflexes.
17. Room assigned as private apartment.
18. Rest room and bathroom.
19. Pantry.
20. Laboratory containing electroencephalograph and cameras and equipment.

CONFIDENTIAL

CONFIDENTIAL
- 15 -

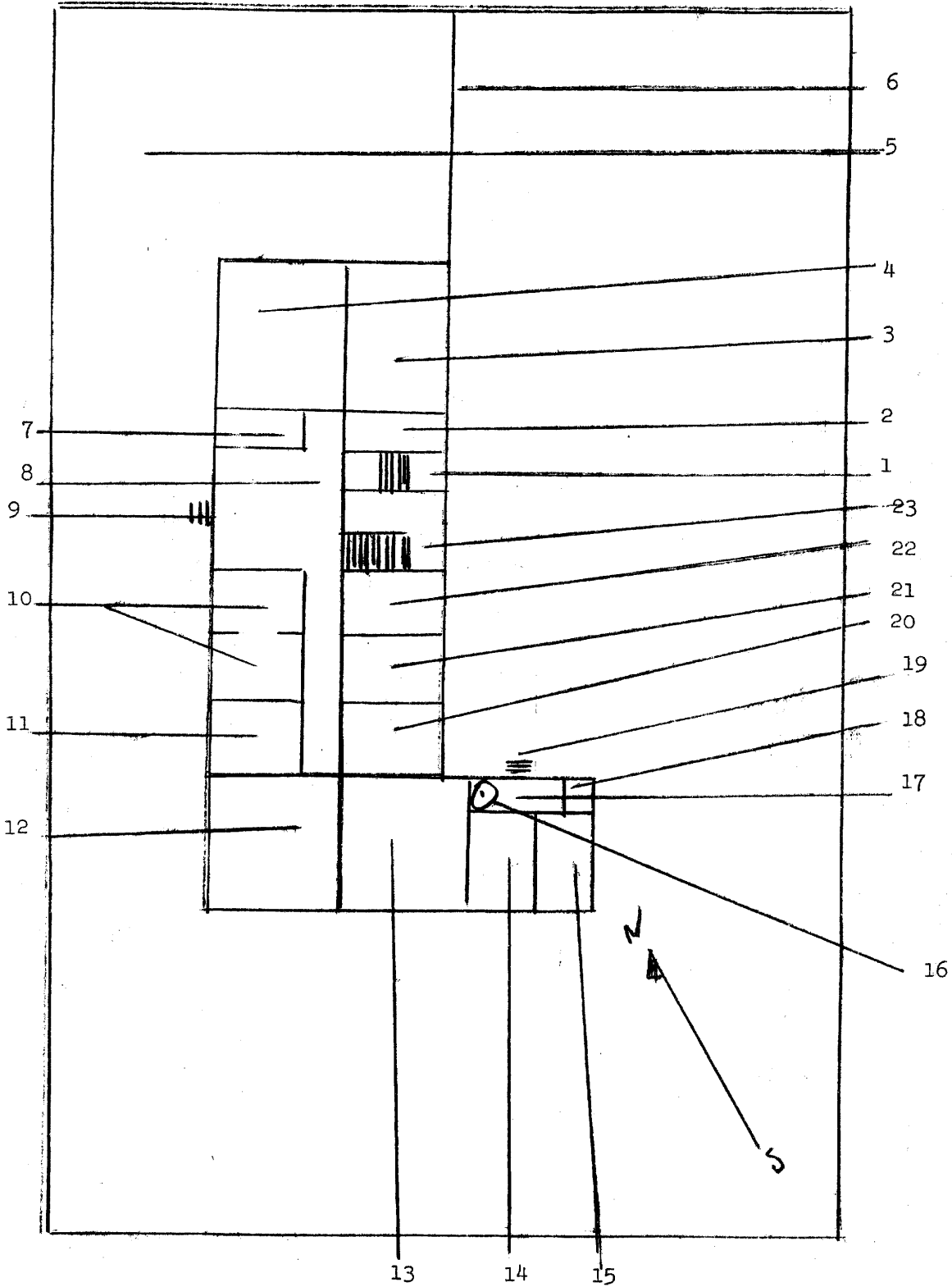


25X1

Enclosure 3

Pavillion VI, first floor, of the Psychiatric Clinic of the Medical Academy.
Sketch - Scale: 1:400

25X1



CONFIDENTIAL

CONFIDENTIAL
- 16 -

25X1

Legend to Enclosure 3.

Pavillion VI, Women's Section of the Psychiatric Clinic of the Medical Academy, first floor.

1. Main entrance.
2. Reception room.
3. Ward of eight beds for patients under observation.
4. Ward of nine beds for patients under observation.
5. Garden for patients.
6. Brick wall surrounding the garden -- about 2.20 m. in height.
7. Rest room.
8. Corridor.
9. Exit to garden.
10. Senior ward attendants' room; also used for shock treatment and for storing and preparing drugs.
11. Small room with four beds used by patients.
12. Recreation room for patients.
13. Dining room for patients.
14. Room used as a kitchen for heating and distributing food brought from the main kitchen.
15. Pantry.
16. Spiral stairs.
17. Corridor.
18. Rest room.
19. Side entrance to pavillion and to kitchen.
20. Room with four beds for patients.
21. Wash room.
22. Bathroom
23. Stairs leading to second floor.

CONFIDENTIAL

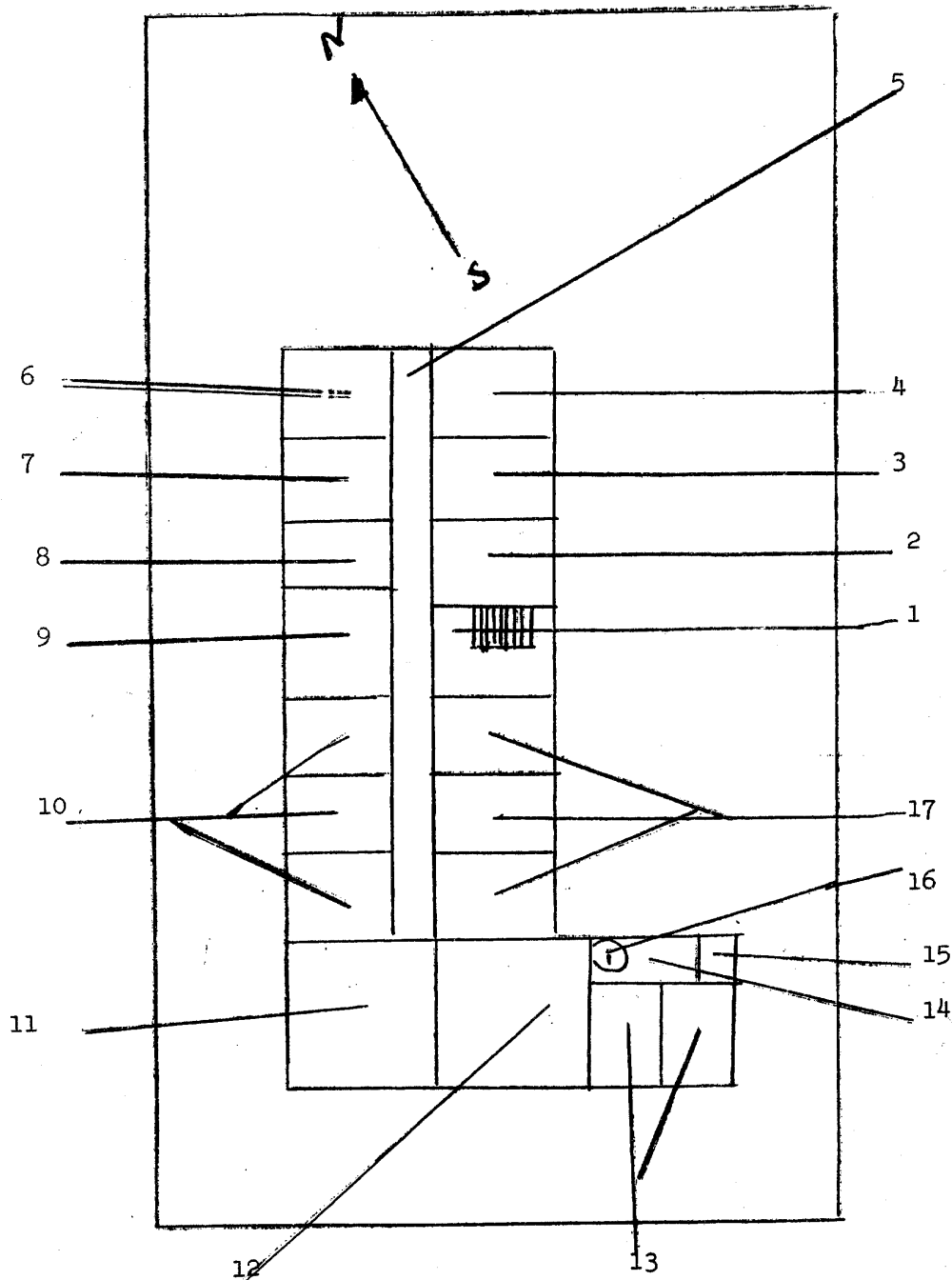
CONFIDENTIAL
- 17 -

25X1

Enclosure 4

Pavillion VI, second floor, of the Psychiatric Clinic of the Medical Academy.
Sketch - Scale: 1:400

25X1



CONFIDENTIAL

CONFIDENTIAL
- 18 -



25X1

Legend to Enclosure 4.

Pavillion VI, Women's Section of the Psychiatric Clinic of the Medical Academy, second floor.

1. Stairs.
2. Consultation room for one of the assistants.
3. Room with four beds used by patients.
4. Consultation room for one of the assistants.
5. Corridor.
6. Small room for patients containing three or four beds.
7. Small room assigned as private apartment.
8. Rest room.
9. Consultation room for one of the assistants.
10. Three rooms for patients, each containing three or four beds.
11. Ward with seven beds used by patients requiring insulin treatment.
12. Ward with 10 beds used by patients requiring insulin treatment.
13. Two rooms assigned as private apartments for ward attendants.
14. Corridor.
15. Rest room.
16. Spiral stairway.
17. Three rooms for patients, each containing three or four beds.

CONFIDENTIAL