

50X1

50X1

SECRET
SECURITY INFORMATION

[Redacted]

REPORT NO. [Redacted]

DATE DISTR. *30 SEPT. 53*

NO. OF PAGES 8

NO. OF ENCLS.
(LISTED BELOW)

SUPPLEMENT TO
REPORT NO.

COUNTRY Czechoslovakia

SUBJECT Army Communications Equipment

50X1

PLACE
ACQUIRED

[Redacted]

DATE
ACQUIRED BY SOURCE

[Redacted]

50X1

DATE OF INFORMATION

THIS IS UNEVALUATED INFORMATION

50X1

SOURCE

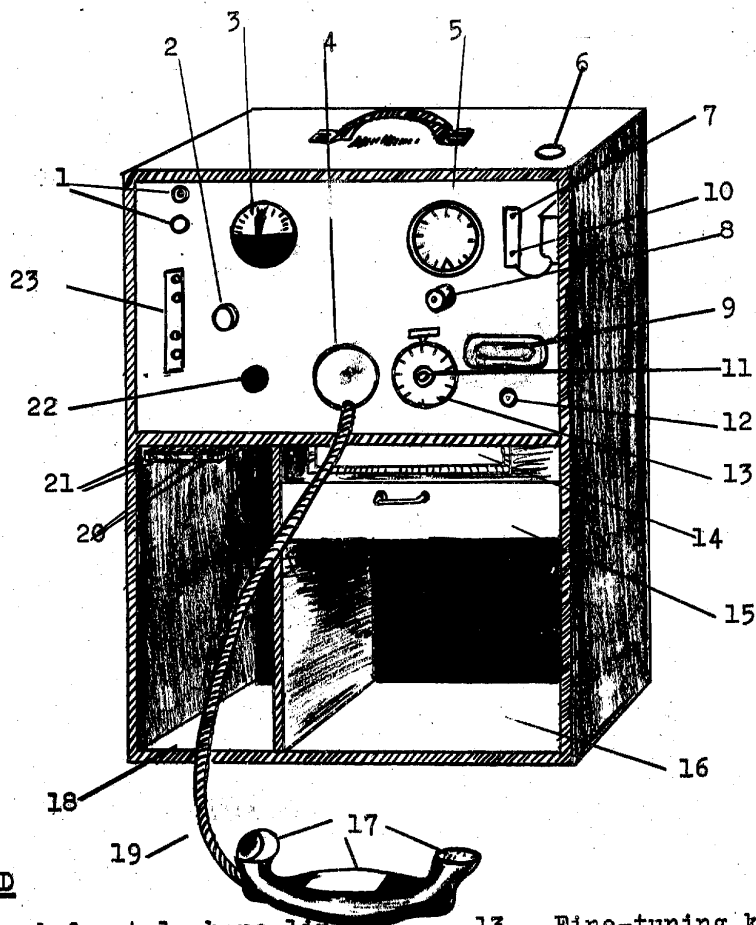
[Redacted]

~~SECRET~~

SECURITY INFORMATION

Page Denied

SECRET SECURITY INFORMATION

A7B RadioLEGEND

- | | |
|--|---|
| 1. Lead for telephone lines | 13. Fine-tuning knob |
| 2. Voltmeter adjusting knob | 14. For storing of papers and messages |
| 3. Voltmeter | 15. Spare parts drawer |
| 4. Socket cover for microphone | 16. Battery compartment |
| 5. Tuning dial | 17. Talk switch |
| 6. Antenna binding post (whip antenna) | 18. Compartment for storing 1.5 batteries |
| 7. Connecting post for wire antenna | 19. Cord for telephone |
| 8. Tuning knob | 20. Connections for anode batteries |
| 9. Neon lamp (binding) indicator | 21. Connection for filament batteries |
| 10. Antenna connecting post | 22. Switch |
| 11. Fine-tuning knob | 23. Connections for extra microphones |
| 12. Antenna binding knob | |

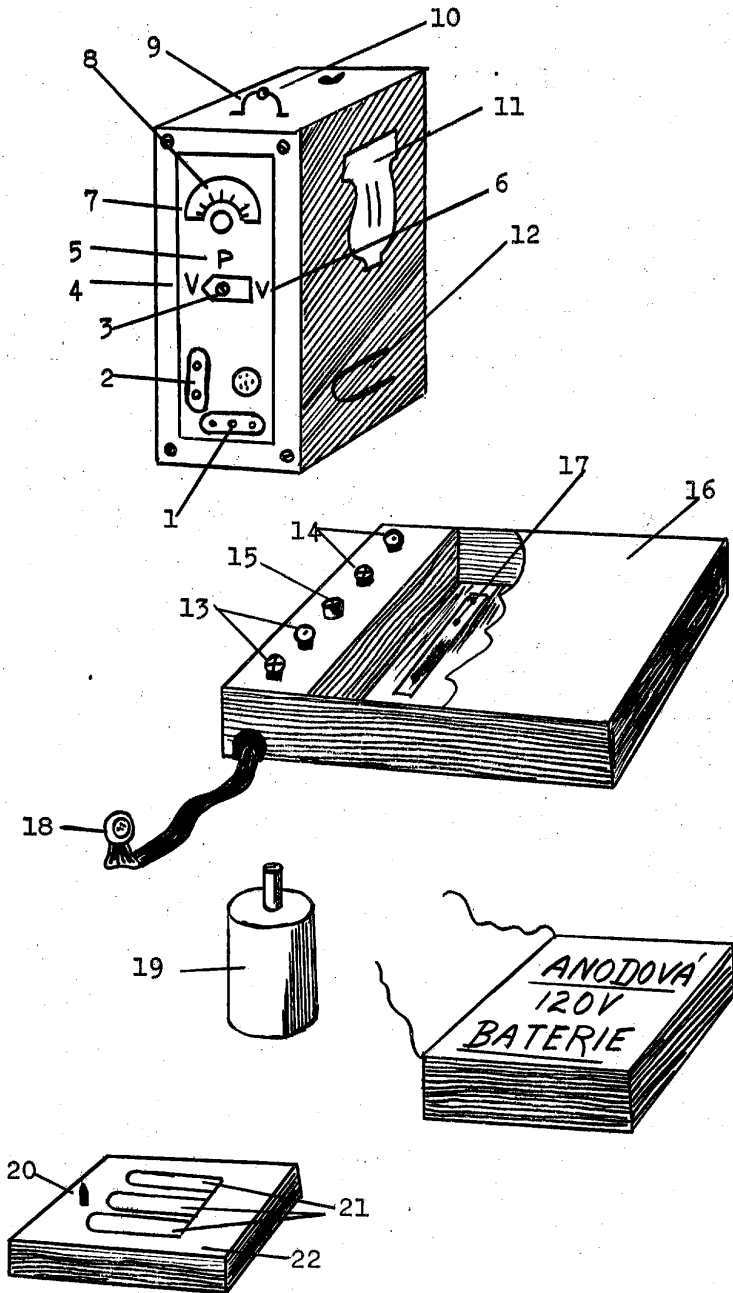
SECRET SECURITY INFORMATION

Page Denied

Page Denied

SECRET SECURITY INFORMATION

RF-11 Radio



SECRET SECURITY INFORMATION

Page Denied

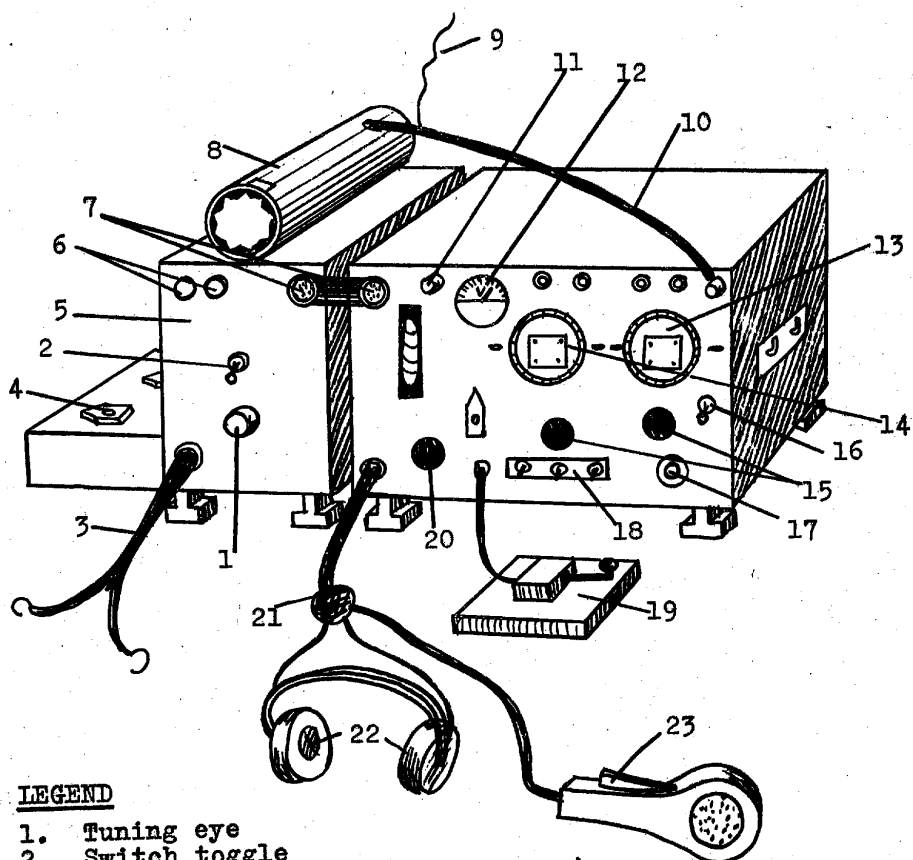
SECRET SECURITY INFORMATIONRF-11 RadioLEGEND

1. Throat microphone (binding post)
2. Earphone post (binding)
3. Switch
4. Three position switch (trans)
5. Testing position
6. Transmitting position
7. Tuning knob
8. Tuning dial
9. Insulator (antenna post)
10. Dipole antenna connection
11. Holder (used to attach the radio to something)
12. Holding strap
13. Binding post for plate voltage
14. Binding post for tester voltage
15. Cover spring latch
16. Case (battery)
17. Contacts for filament batteries
18. Connecting cord
19. Filament battery
20. Plate battery
21. Cover latch
22. Contacts for connecting filament battery

SECRET SECURITY INFORMATION

Page Denied

SECRET SECURITY INFORMATION

MK-19 RadioLEGEND

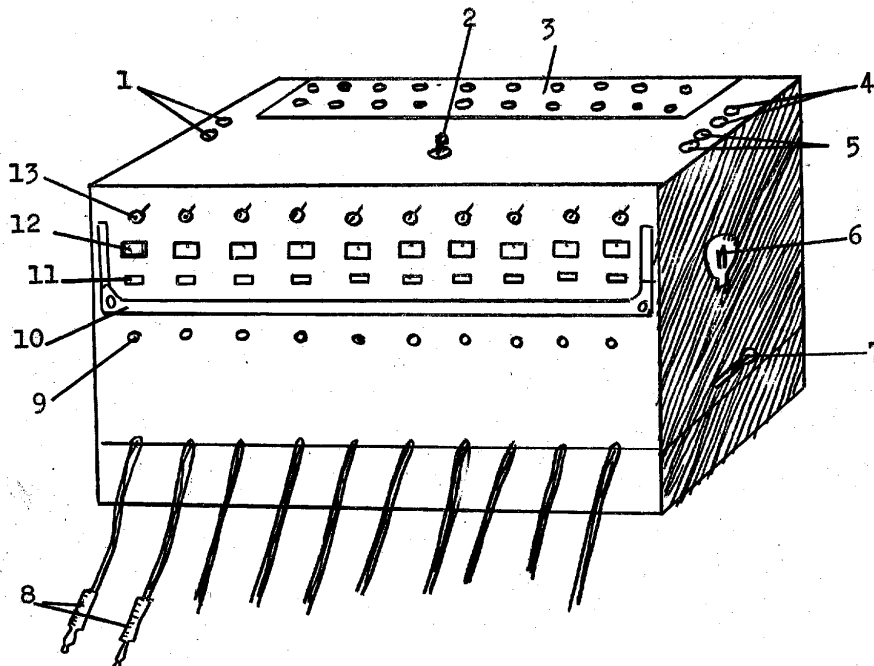
1. Tuning eye
2. Switch toggle
3. Connection cable (battery cable)
4. Monitor switch
5. Oscillator
6. Binding posts
7. Connection between receiver and transmitter
8. Variometer (antenna tank circuit)
9. Antenna
10. Antenna lead
11. Antenna bushing (lead thru) insulator
12. Voltmeter
13. Tuning dial for transmitter and receiver
14. Transmitter tuning dial
15. Tuning dial knobs
16. Tone control switch
17. Tone tuning
18. Frequency switches (channel switches)
19. Code key
20. Volume control
21. Earphone - microphone cable
22. Earphones
23. Microphone

SECRET SECURITY INFORMATION

Page Denied

-7-

SECRET SECURITY INFORMATION

TU-N10 Telephone SwitchboardLEGEND

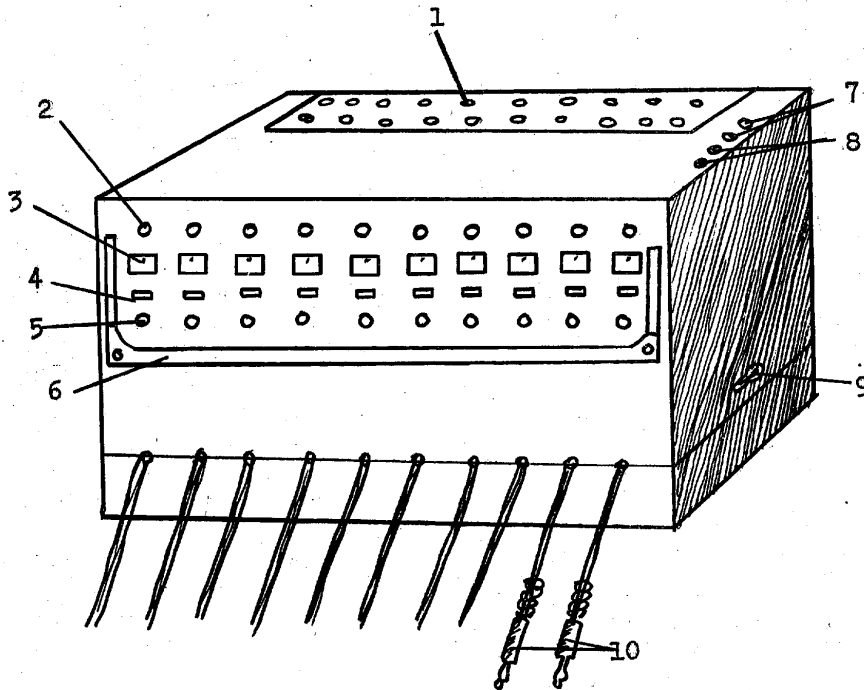
1. Connections for another switchboard
2. Ringing (bell) key
3. Terminal board
4. Ringer bell
5. Connections for the night alarm
6. Ringer handle
7. Lock for closing lower section
8. Plugs
9. Connections for jacks
10. Guard for drops
11. Channel indicator
12. Drops
13. Talking - listening switches

SECRET SECURITY INFORMATION

Page Denied

SECRET SECURITY INFORMATION

TU-K 10 Switchboard



LEGEND

- 1. Terminal board
- 2. Talking and listening switches
- 3. Drops
- 4. Channel indicator
- 5. Connection for jacks
- 6. Lettering for drops
- 7. Connections for night alarm
- 8. Connections for converting K 10
- 9. Lock for closing cover section
- 10. Plugs used by switchboard operator for communication

SECRET SECURITY INFORMATION

Page Denied