

CCP

INFORMATION REPORT INFORMATION REPORT

CENTRAL INTELLIGENCE AGENCY

This material contains information affecting the National Defense of the United States within the meaning of the Espionage Laws, Title 18, U.S.C. Secs. 793 and 794, the transmission or revelation of which in any manner to an unauthorized person is prohibited by law.

50X1-HUM

S-E-C-R-E-T

COUNTRY Czechoslovakia

REPORT

SUBJECT New Type of SON-9 Radar (known as Type E)

DATE DISTR. 24 MAR 1959

NO. PAGES 4

REFERENCES RD

DATE OF INFO. PLACE & DATE ACQ.

50X1-HUM

SOURCE EVALUATIONS ARE DEFINITIVE. APPRAISAL OF CONTENT IS TENTATIVE.

- In the field of radar technique, Czechoslovakia is trying, against Soviet wishes, continually to develop new types. Russia has carried her point that with the unification of the armies of the Warsaw Pact, the SON-9 type of radio locator, made in the USSR, should be the only type introduced. Czechoslovakia has however made its own type, known as type E, which although more complicated, is more accurate and has a greater range than the SON-9, and after experience with this type, the Czechoslovak military leaders have decided that the army shall use it.
- While practical tests were being made with type E, the electrical works in Doudlevec, part of the Lenin Works in Pilsen, developed a new type known as type A towards the end of 1957, and it was assigned for testing to army units and to the military department of electrical engineering at Poděbrady in March 1958.
- The new type is a development of the E type, differing from it particularly in the antenna. The course-plotting vehicle remains the same and changes have only been made in the direction of greater accuracy and simplicity of operation. The range is greater, over 100 km. and the margin of error, in type E $\pm 5m.$ and $\pm \frac{1}{2}^\circ$, is also smaller.
- Type A is for use as a target-spotter for AA guns of over 57 mm. It consists of an antenna unit, course-plotting vehicle, generator and Puazo apparatus.
- [redacted] a reproduction of the sketch provided with the report.
- Legend to the sketches (the antenna is mounted on the vehicle roof):

50X1-HUM

S-E-C-R-E-T

50X1-HUM

STATE	X	ARMY	EV	X	NAVY	X	AIR	EV	X	FBI	AEC					
(Note: Washington distribution indicated by "X"; Field distribution by "#".)																

INFORMATION REPORT INFORMATION REPORT

S-E-C-R-E-T

[Redacted]

50X1-HUM

-2-

[Redacted]

1. Reflector, oval.
2. Antenna, netting, with cross supports; movement is both horizontal and vertical.
3. Antenna base, probably taken down, with antenna, when being transported.
4. Access to panels.
5. Cable box.



50X1-HUM

S-E-C-R-E-T

[Redacted]

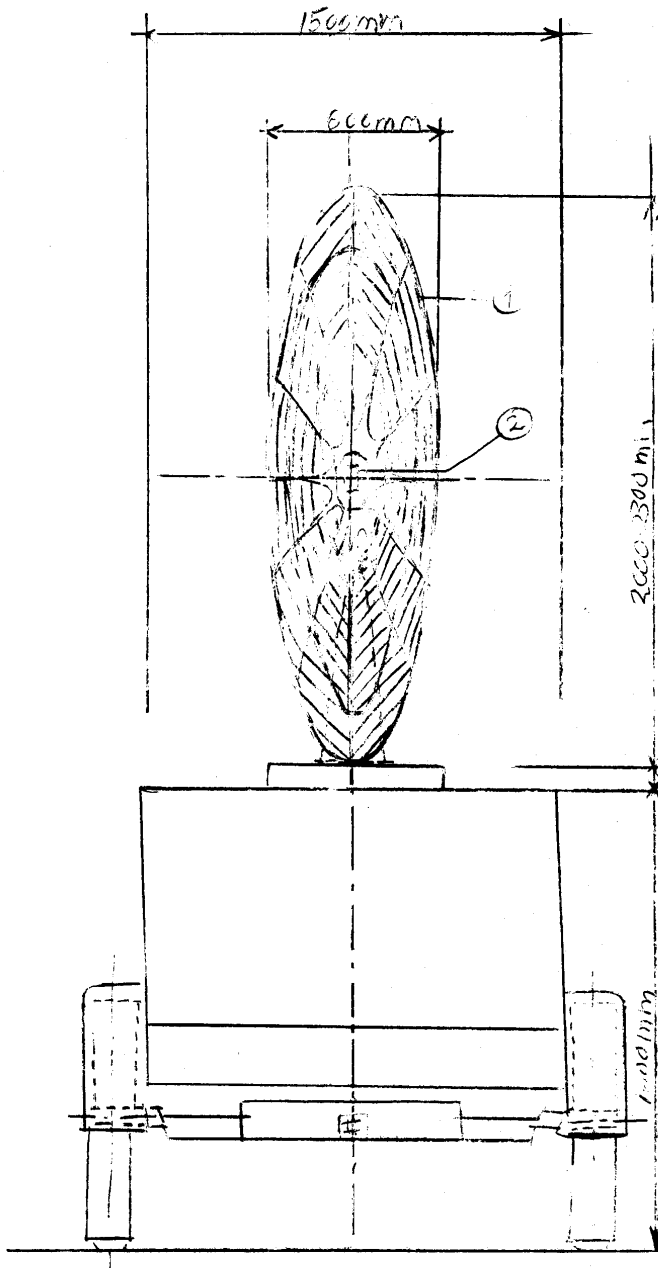
50X1-HUM

S-E-C-R-E-T

50X1-HUM

-3-

50X1-HUM



S-E-C-R-E-T

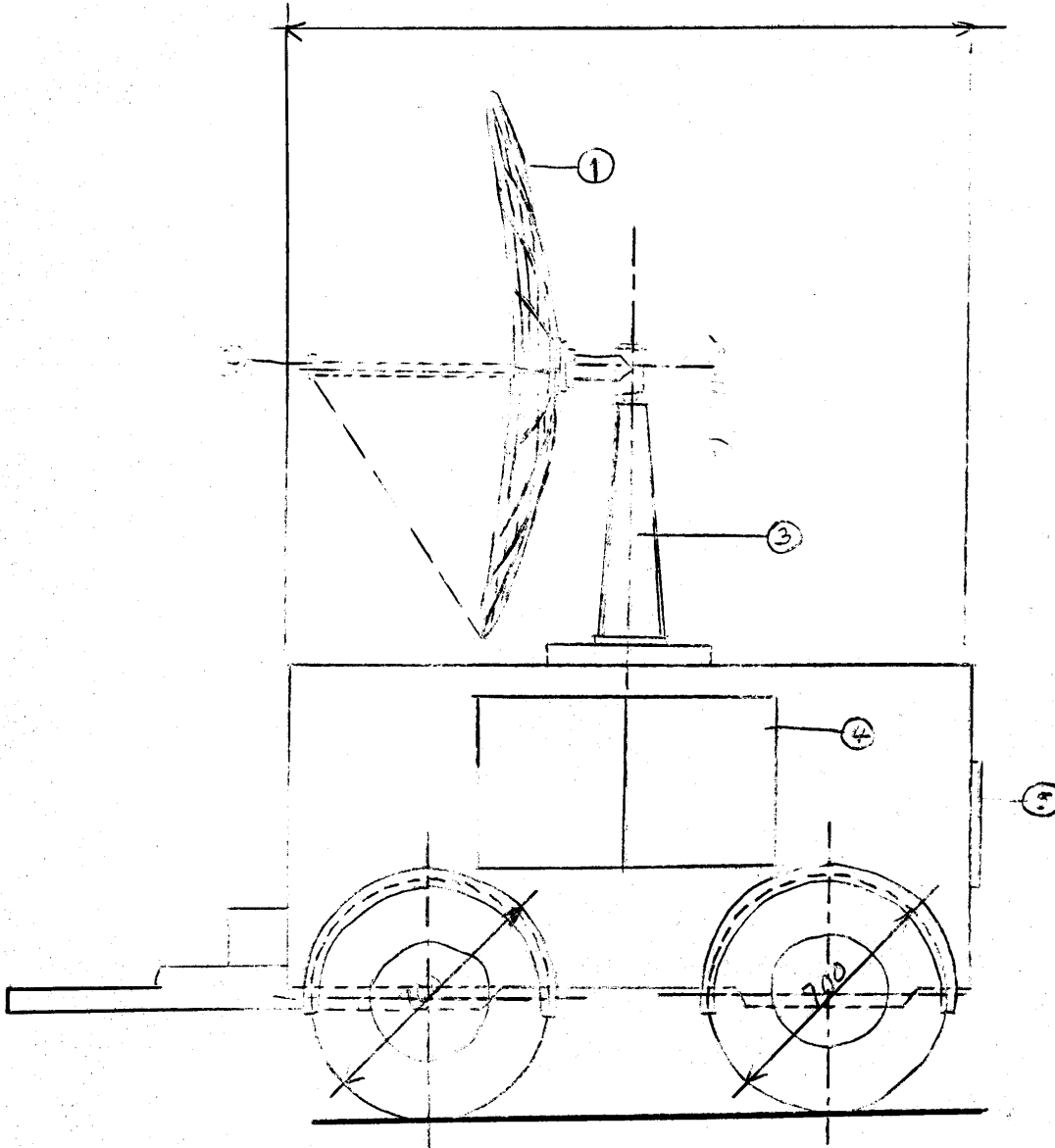
50X1-HUM

S-E-C-R-E-T

50X1-HUM

-4-

50X1-HUM

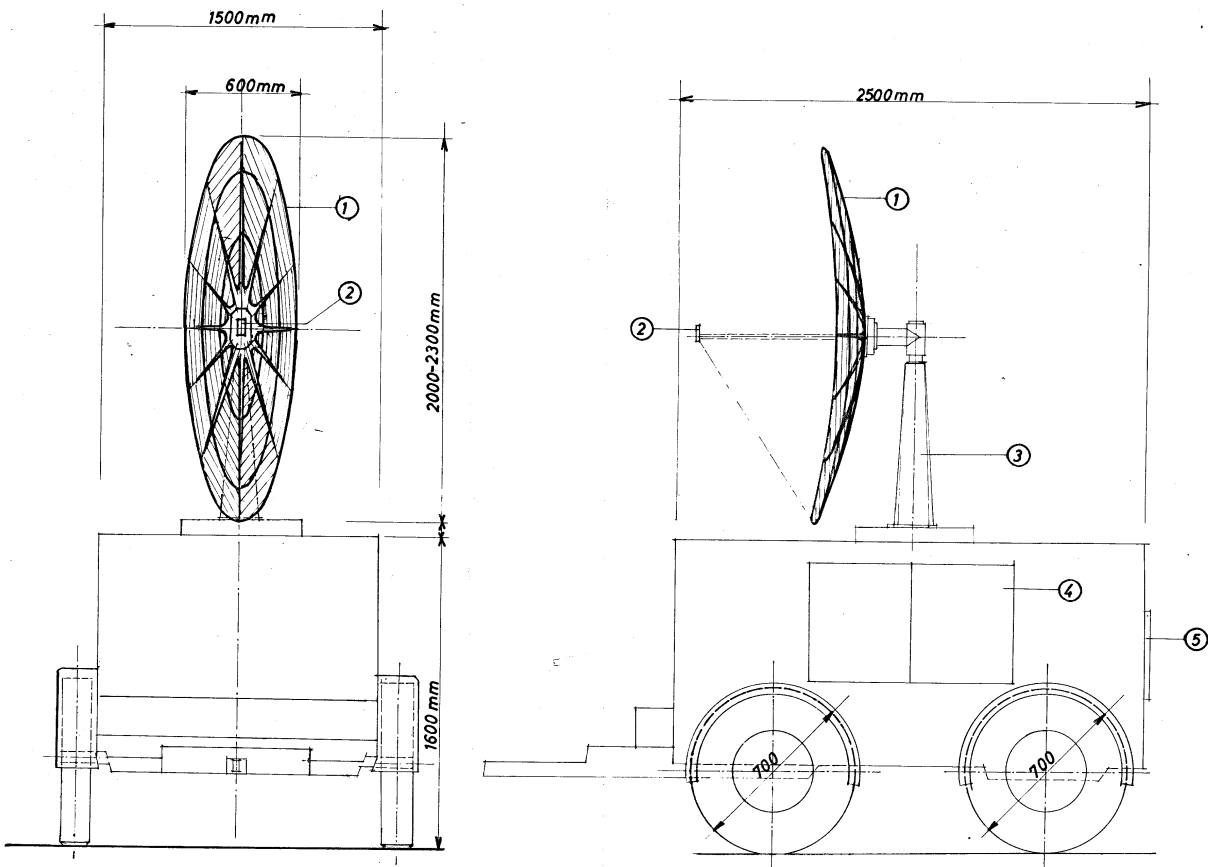


S-E-C-R-E-T

50X1-HUM



SECRET



SECRET

**SECRET CONTROL
U. S. OFFICIALS ONLY**

SECRET