

INFORMATION REPORT INFORMATION REPORT

CENTRAL INTELLIGENCE AGENCY

This material contains information affecting the National Defense of the United States within the meaning of the Espionage Laws, Title 18, U.S.C. Secs. 793 and 794, the transmission or revelation of which in any manner to an unauthorized person is prohibited by law.

S-E-C-R-E-T
NOFORN

PROCESSING COPY 25X1

COUNTRY	Czechoslovakia	REPORT	[REDACTED]
SUBJECT	Enlargement of the Radar Station at Zdiby	DATE DISTR.	15 March 1957
		NO. PAGES	1
		REQUIREMENT NO.	RD
DATE OF INFO.	[REDACTED]	REFERENCES	25X1
PLACE & DATE ACQ.	[REDACTED]		

SOURCE EVALUATIONS ARE DEFINITIVE. APPRAISAL OF CONTENT IS TENTATIVE.

[REDACTED]

[REDACTED] report on the enlargement on a radar station at Zdiby (N 50-10, E 14-27). It is stated that there are now four permanent radar sets and one mobile radar set at the site. 25X1

[REDACTED]

25X1

22

S-E-C-R-E-T
NOFORN

EXPLOITED BY IP

STATE	X ARMY	X NAVY	X AIR	X FBI	AEC				
-------	--------	--------	-------	-------	-----	--	--	--	--

(Note: Washington distribution indicated by "X"; Field distribution by "#".)

INFORMATION REPORT INFORMATION REPORT

SECRET
NOFORN

1. During the spring of 1956 the radar station at Zdiby was enlarged and several new pieces of equipment were installed. There are now four permanent and one mobile radar sets on site the site. The area of the station was extended westward by addition of a strip of ground approximately 40 x 150 meters large to the original site.
2. Two mobile radars mounted on trucks which were observed in November 1955 had been withdrawn and were replaced by one large mobile radar. For the exact location of this mobile radar see the sketch # 1 (Z).
3. Description of Mobile Radar (see the sketch # 2)

When observed, the mobile radar was located on an embankment of earth about 2 meters high. It had three main features:

- a. Tank chassis, dark green, about 5 m long, 2.5 m wide and 1.7 m high. On each side were five double bogie-wheels about 80 cm in diameter. The caterpillar tracks lay directly on the bogies. The front and upper part of the sides of the chassis were sloped at about 70 degrees from the horizontal plane.
- b. Turret, also dark green, about 4 m long, 2.5 m wide and 2.5 m high. Two of the top edges were sloping. The sides of the turret were straight and appeared to have been made of armored plates. No entrance to the turret was observed. The turret was mounted on a cone-shaped pivot, the average diameter of which was about 40 cm. The turret appeared to have been free to revolve through 360 degrees.
- c. An arm about 20 cm long and 5 cm in diameter protruded from the front sloped edge of the turret. The radar aerial consisting of one wide strip of metal curved at both ends was attached to it. The total length of the aerial, including curves, was about 6 meters, the width was 1.5 m and the thickness of the metal about 10 cm. The length of each curve was about 70 cm. The aerial was dull gray in color. It was observed to rotate 15 times in one minute.

4. Stationary radar sets

An additional permanent radar set of the type already observed on this site was installed (for its exact location see the sketch # 1 (E1)).

A larger permanent set was also installed (for exact location see the

SECRET
NOFORN



sketch # 1 (Y)). It had three main parts:

- a. The radar aerial, which looked like a hollow cylinder, about 2 m in diameter and 2.7 m long. At each end was a hollow truncated cone, approximately 70 cm high. The end of each cone was about 35 cm in diameter. The cylinder was made up of about 42 horizontal rods or tubes, each about 2-3 cm in diameter. The tubes (or rods) were about 15 cm apart. The cylinder formed by these tubes and rings was hollow and could see straight through it. The aerial which was gray in color was attached to a pivot.
- b. The pivot, which joined the aerial and the tripod, was about 30 cm in diameter and 15 cm high.
- c. The tripod, which consisted of three metal tubes or rods, about 3 m long and 10 cm in diameter. These were gray and were stuck in the ground. (See also the sketch # 3).

5. Unit Strength

Approximately 20 soldiers were seen on the site. It was not possible to establish the arm they belonged to.

Comment: This suggests that the unit may have been reinforced since the site was last observed in November 1955./

25X1

6. Transport

Four 8-ton trucks of the Tatra 111 type appeared to be permanently attached to the site. They had individual parking spaces and were covered with tarpaulin when not in use.

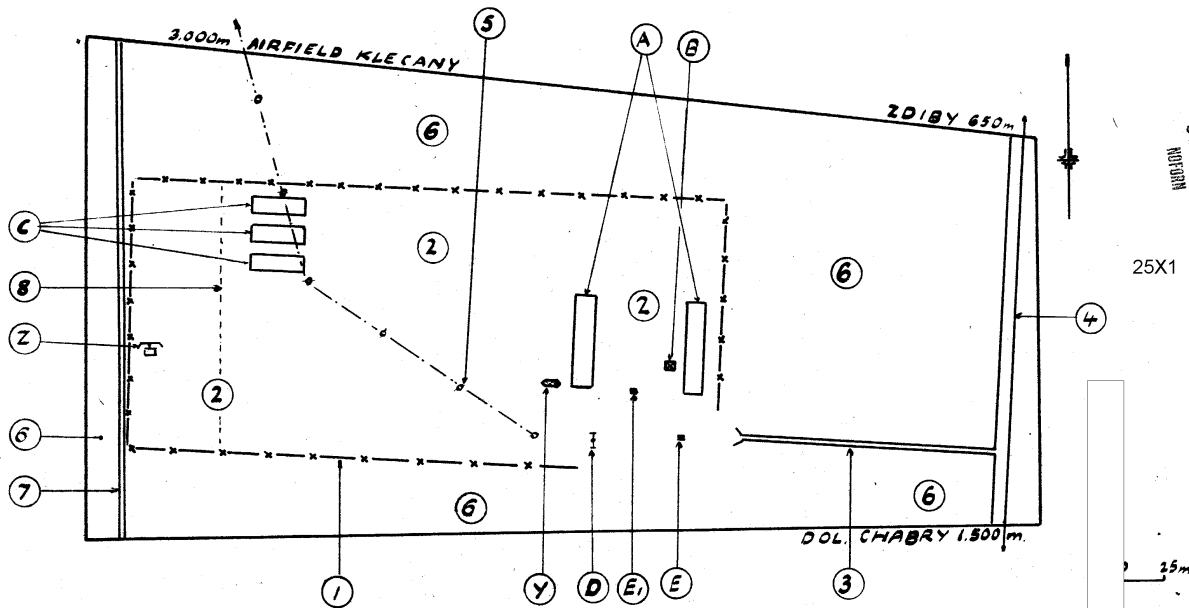
Legend for the sketch # 1

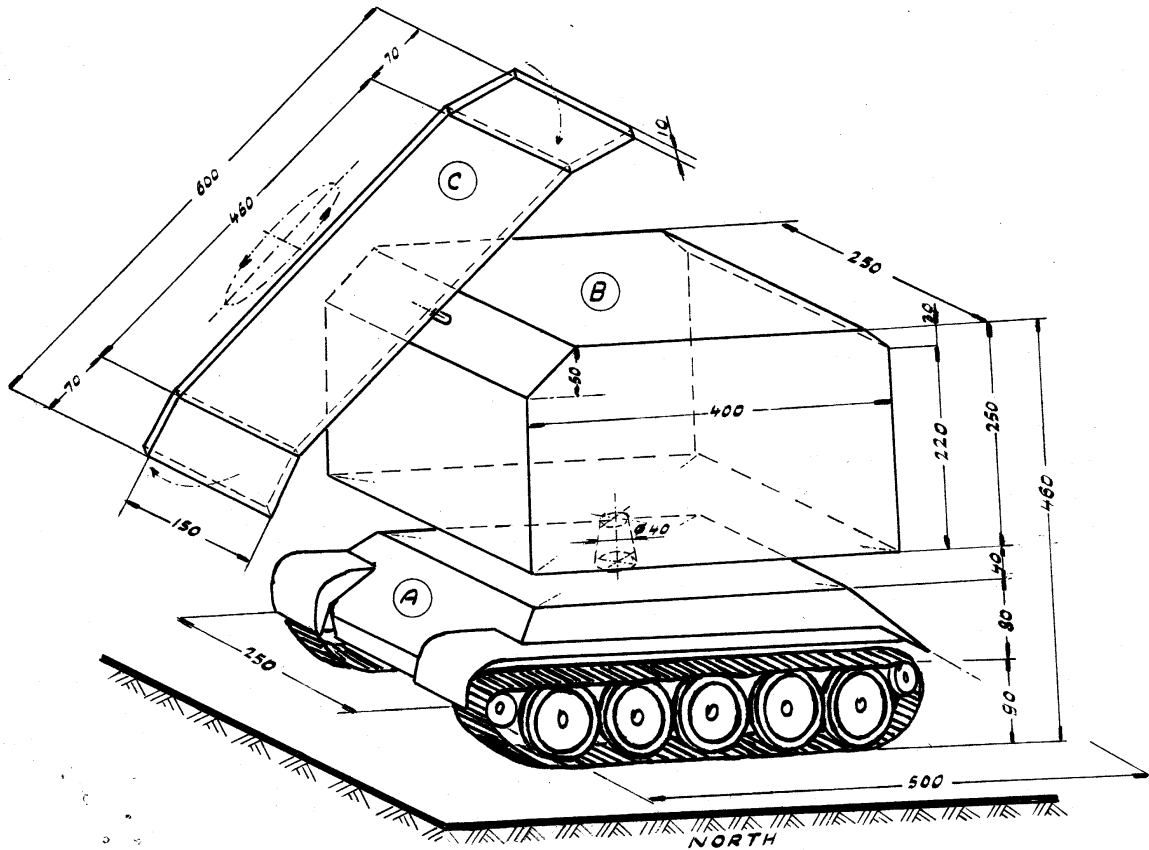
1. Wire fence after enlargement.
2. Grass surface inside the site.
3. Access road.
4. Main road Prague-Melnik.
5. Telephone wires.
6. Fields.
7. Field road, approx. 2 m wide, connecting villages Veltez and Move Chabry.
8. Location of that part of the fence which was removed.
- A. Men's quarters.
- B. Guard's watch tower.
- C. Group of three wooden buildings; purpose unknown.
- ~~D.~~ Larger permanent radar.
- ~~E.~~ Smaller permanent radar.
- ~~F1~~ New smaller permanent radar; the same type as E.
- ~~Y.~~ New permanent radar.
- ~~Z.~~ New large mobile radar.

25X1

SECRET
NOFORN

Sanitized Copy Approved for Release 2010/02/22 : CIA-RDP80T00246A032700220001-4
SKETCH NO. 1. LAYOUT OF ENLARGED RADAR STATION AT ZDIBY.



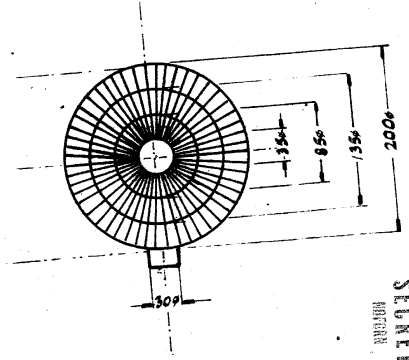
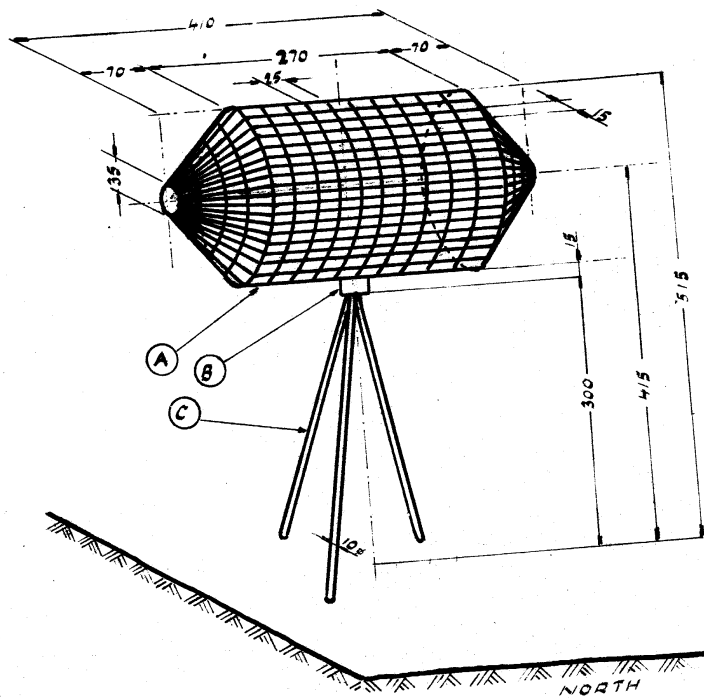


25X1



SECRET
REF ID: A66666
Sketch # 2

SKETCH NO. 3: NEW STATIONARY RADAR SET AT ZDIBY RADAR STATION.



SECRET

SECRET

25X1

Sketch # 3

1 : 50

25X1

Page Denied