

INFORMATION REPORT

CENTRAL INTELLIGENCE AGENCY

25X1

This material contains information affecting the National Defense of the United States within the meaning of the Espionage Laws, Title 18, U.S.C. Secs. 793 and 794, the transmission or revelation of which in any manner to an unauthorized person is prohibited by law. 25X1

S-E-C-R-E-T

COUNTRY	USSR (Leningrad Oblast)	REPORT	
SUBJECT	Naval and Shipyard Activity in Leningrad	DATE DISTR.	26 July 1955 25X1
		NO. OF PAGES	3
DATE OF INFO.		REQUIREMENT	
PLACE ACQUIRED		REFERENCES	25X1
DATE ACQUIRED	This is UNEVALUATED Information		

SOURCE EVALUATIONS ARE DEFINITIVE. APPRAISAL OF CONTENT IS TENTATIVE.

- West of Kronshtadt, within Fort Konstantin, was a big building which had 10 big square doors facing the water. In the water in front of the building, there was a row of pilings. 25X1
- On 9 May, three submarines lay in the western basin. [redacted] Length could not be estimated because the boats were seen from the stern. 25X1
- Northwest of the entrance to Leningrad harbor in line with buoy number 8¹, a very tall radio mast could be seen. 25X1
- Inspection was very casual. Cabins were not searched as had been done on previous calls. 25X1
- At the Marti Shipyard, a large naval ship, possibly a cruiser, was being built. Near the shipyard was a large floating crane of the type used by the Germans. [redacted] 25X1
- At the Zhdanov Shipyard, two naval vessels were being built. (See sketch; Dimensions were estimated with reference to a man standing aft of the domed superstructure before the foremast. The vessels were in the water at the quay so only the upper portions of them were visible. Therefore, the sketch of the hull shape should be taken with reservation. There was nothing on the slipway at Zhdanov Shipyard. 25X1
- The merchant steamer OTTO SCHEMIDT lay at anchor in Barochnyy basin and another Soviet steamer was anchored just outside the basin. There was a small shipyard or machine shop on the western quay of the basin. [redacted] the machines [redacted] very new and modern. 25X1
- On 16 May in the western basin at Kronshtadt, there were eight submarines [redacted] In the central basin there was a cruiser [redacted] and a floating dock with the words "DANZIGER WERFT" painted on the side. In the eastern basin there were [redacted] 25X1

STATE	x	ARMY	x	NAVY	x	AIR	x	FBI		AEC			
-------	---	------	---	------	---	-----	---	-----	--	-----	--	--	--

(Note: Washington distribution indicated by "X"; Field distribution by "#")

INFORMATION REPORT

25X1

S-E-C-R-E-T

25X1

-2-

10 to 15 naval craft, possibly destroyers; two three-masted sailing vessels of an old type; and a cargo vessel painted gray. Outside the eastern basin there was a floating dock without a mast. At the roadstead just west of Kronshadt, the OKTYABRSKAYA REVOLYUTSIYA was moored to buoys. At a small shipyard visible southeast of Kronshadt, a submarine salvage vessel with curved steel girder superstructure and several other small naval vessels could be seen.

9. At 2100 hours on 16 May, a Soviet MIB with radar in a gray painted dome on a small mast was proceeding on an easterly course in the Gulf of Finland, about 8 nautical miles east of Tallinn. About an hour later, outside Tallinn, two naval vessels, possibly destroyers, were on an easterly course. They showed three lights in vertical column: red, white, and alternately red and green.

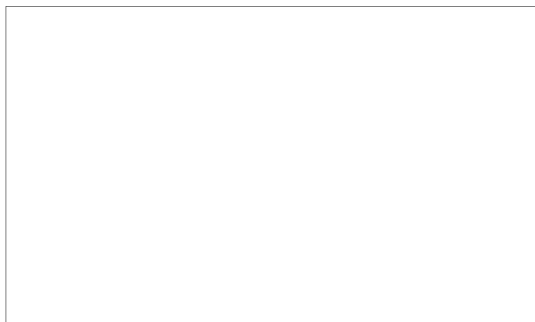
1. Comment: [redacted] probably means that the mast is on a line with the buoy when the buoy is abeam.

25X1

25X1

2. Comment: The small shipyard is probably Oranienbaum and the salvage ship the KOMMUNA.

25X1



25X1

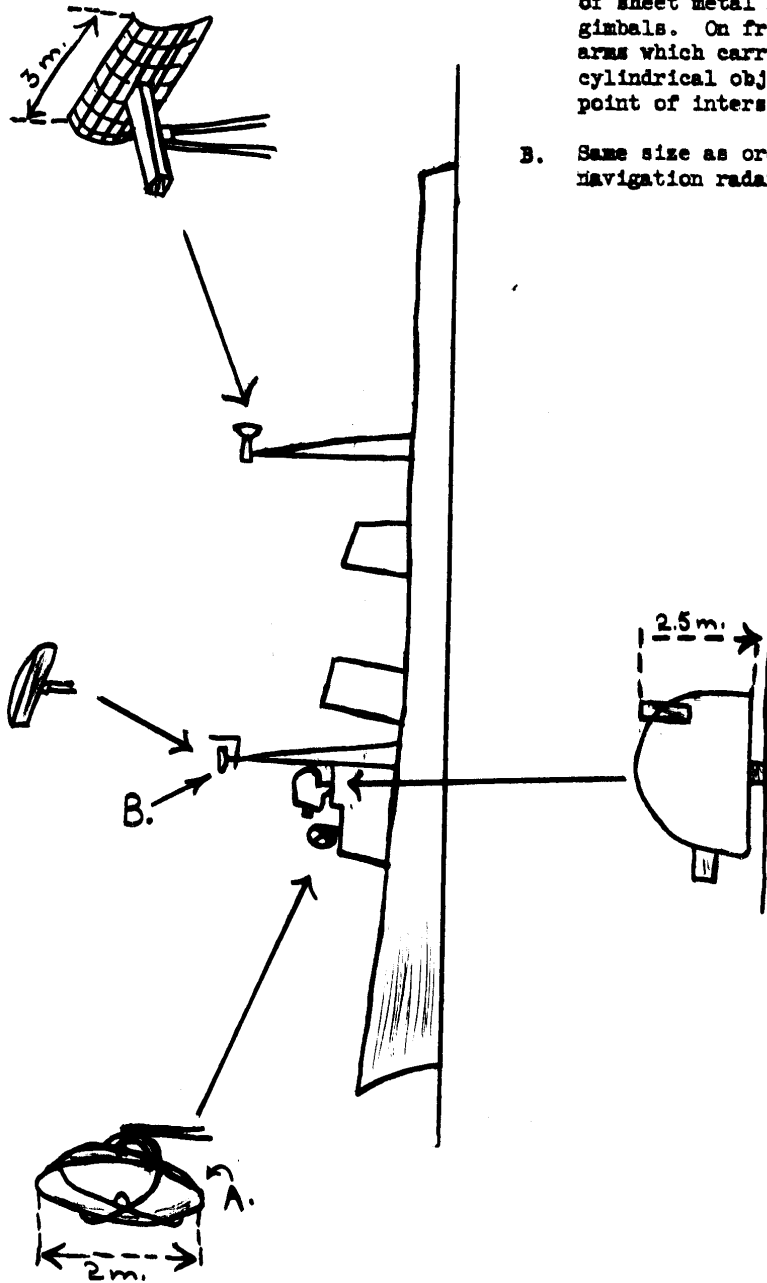
S-E-C-R-E-T

25X1

S-E-C-R-E-T

25X1

Sketch of Vessel Under Construction at Zhdanov Shipyard



- A. Flat segment of a sphere of sheet metal mounted on gimbals. On front, 2 crossed arms which carry a smaller cylindrical object at the point of intersection.
- B. Same size as ordinary navigation radar.

S-E-C-R-E-T

25X1