

CLASSIFICATION

CENTRAL INTELLIGENCE AGENCY

# INFORMATION REPORT

CD

25X1

COUNTRY East Germany

DATE DISTR. 21 March 1955

SUBJECT VEB Funkwerk Koepenick Production of Mobile Radio Equipment for the KVP

NO. OF PAGES 2 3

PLACE ACQUIRED

NO. OF ENCLS. (LISTED BELOW)

25X1

DATE OF INFO.

SUPPLEMENT REPORT NO.

[Redacted area]

THIS DOCUMENT CONTAINS INFORMATION AFFECTING THE NATIONAL DEFENSE OF THE UNITED STATES, WITHIN THE MEANING OF TITLE 18, SECTIONS 793 AND 794, OF THE U. S. CODE, AS AMENDED. ITS TRANSMISSION OR REVELATION OF ITS CONTENTS TO OR RECEIPT BY AN UNAUTHORIZED PERSON IS PROHIBITED BY LAW. THE REPRODUCTION OF THIS FORM IS PROHIBITED.

THIS IS UNEVALUATED INFORMATION

25X1

[Redacted area]

25X1

1. [Redacted] Koepenick Funkwerk (radio equipment factory) equipped 15 radio trucks with Michael decimeter sets and sent them to the KVP. Each truck had two units and two working positions.

[Redacted area]

25X1

2. In early November, two van-like Vopo radio trucks [Redacted] were observed in the area of the Koepenick Funkwerk (radio equipment factory). Each of these vehicles which had been parked there for some time was to be equipped with a Michael set.

25X1

25X1

Comment. Special equipment workshop.

25X1

2. Comment. For a sketch of the equipped vehicle, see Annex.

[Redacted area]

25X1

25X1

STATE	#	X	NAVY	#	X	NSRB			
ARMY	#	X	AIR	#	X	FBI	ORR	Ev	X

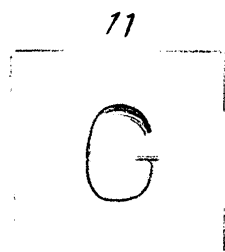
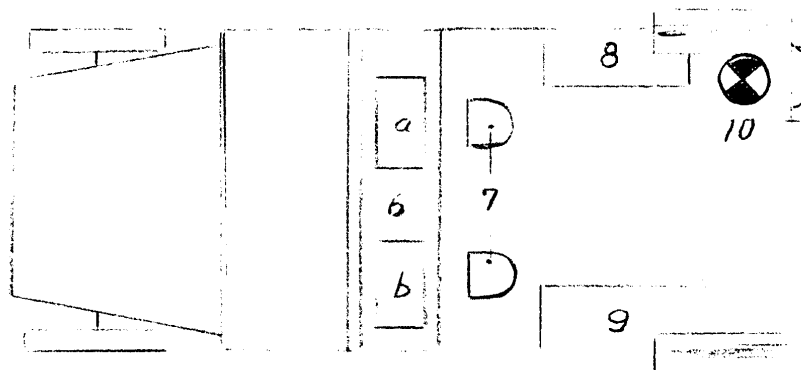
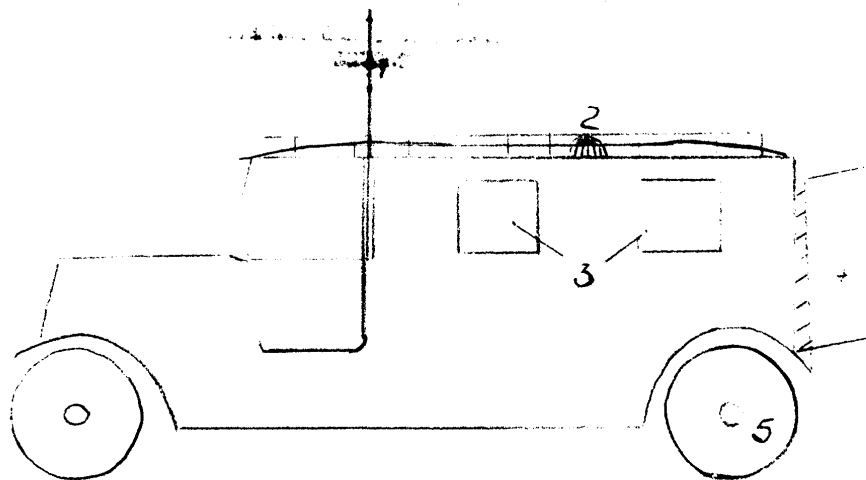
SECRET

25X1

- 8 -

Legend see next page

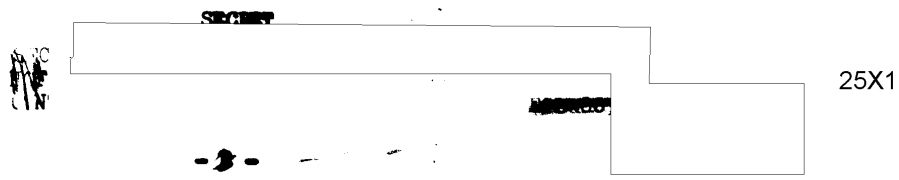
Annex to



not to scale

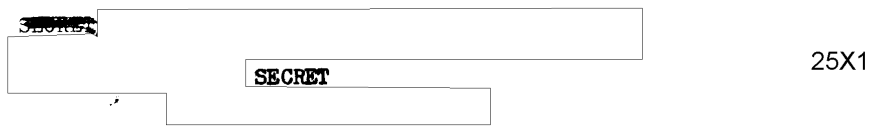
SECRET

25X1



Legend

- 1 rod antenna
- 2 frame antenna
- 3 windows
- 4 door with ladder
- 5 twin tires
- 6 instrument table
- 6 a - b decimeter sets
- 7 seats
- 8 seats
- 9 tool box
- 10 stove
- 11 tactical symbol



CLASSIFICATION **SECRET**  
CENTRAL INTELLIGENCE AGENCY **CONFIDENTIAL** REPORT  
**INFORMATION REPORT** CD NO. [redacted] 25X1

COUNTRY **East Germany**  
SUBJECT **VEB Funkwerk Koeppenick Production of Mobile Radio Equipment for the KVP**

DATE DISTR [redacted]  
NO. OF PAGES **3**

PLACE ACQUIRED [redacted]  
DATE OF INFO. [redacted]

NO. OF ENCL. (LISTED BELOW) 25X1  
SUPPLEMENT REPORT NO. [redacted]

25X1

THIS DOCUMENT CONTAINS INFORMATION AFFECTING THE NATIONAL DEFENSE OF THE UNITED STATES WITHIN THE MEANING OF TITLE 18, SECTIONS 793 AND 794, OF THE U. S. CODE AS AMENDED. ITS TRANSMISSION OR REVELATION OF ITS CONTENTS TO OR RECEIPT BY AN UNAUTHORIZED PERSON IS PROHIBITED BY LAW. THE REPRODUCTION OF THIS FORM IS PROHIBITED.

**THIS IS UNEVALUATED INFORMATION**

[redacted]

25X1

1. In October 1954, Kostenstelle 312 of the TER department in the Koeppenick Funkwerk (radio equipment factory) equipped 15 radio trucks with Michael desimeter sets and sent them to the KVP. Each truck had two units and two working positions.

[redacted]

25X1

2. In early November, two van-like Vopo radio trucks were observed in the area of the Koeppenick Funkwerk (radio equipment factory). Each of these vehicles which had been parked there for some time was to be equipped with a Michael set.

25X1

1. [redacted] Comment. Special equipment workshop.

2. [redacted] Comment. For a sketch of the equipped vehicle, see Annex.

25X1

[redacted]

25X1

**SECRET**

CLASSIFICATION		DISTRIBUTION		25X1
STATE	NSRB			
ARMY	FBI			

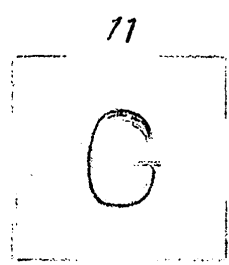
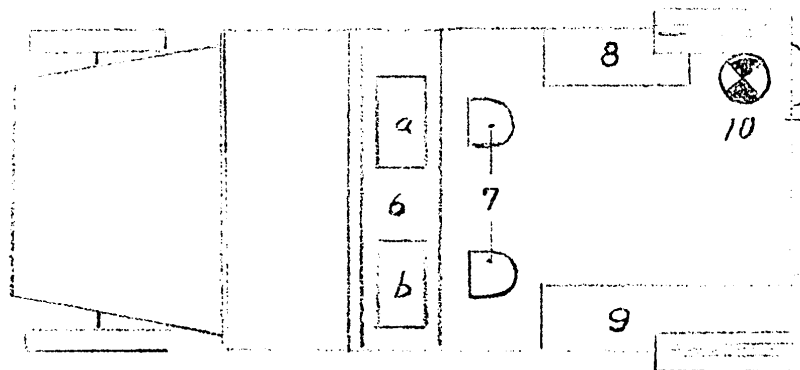
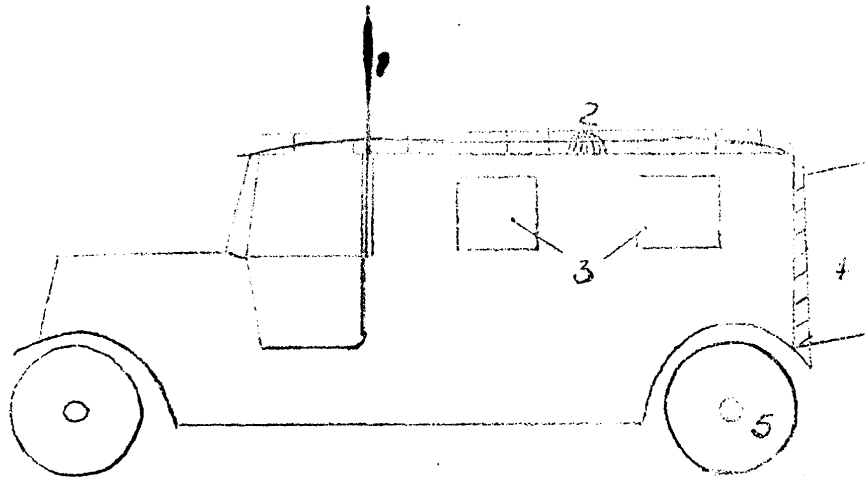
SECRET

25X1

- 2 -

Legend see next page

Annex to

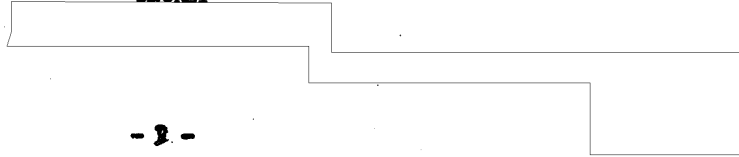


not to scale

SECRET

25X1

**SECRET**



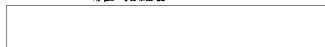
25X1

**- 2 -**

Legend

- 1 rod antenna
- 2 frame antenna
- 3 windows
- 4 door with ladder
- 5 twin lines
- 6 instrument table
- 7 a - 1 decoder sets
- 7 seats
- 8 seats
- 9 tool box
- 10 stove
- 11 tactical symbol

**SECRET**



25X1