

**CENTRAL INTELLIGENCE AGENCY
INFORMATION REPORT**

This material contains information affecting the National Defense of the United States within the meaning of the Espionage Laws, Title 18, U.S.C. Secs. 793 and 794, the transmission or revelation of which in any manner to an unauthorized person is prohibited by law.

SECRET/CONTROL - U.S. OFFICIALS ONLY

COUNTRY	Czechoslovakia	REPORT	
SUBJECT	Radar Parts Production at the 9th of May Factory in Brodce nad Sazavou	DATE DISTR.	9 August 1954
DATE OF INFO.		NO. OF PAGES	2 25X1
PLACE ACQUIRED		REFERENCE NO.	RD
	This is UNEVALUATED	REFERENCES	25X1
			642338

THE SOURCE EVALUATIONS IN THIS REPORT ARE DEFINITIVE.
THE APPRAISAL OF CONTENT IS TENTATIVE.
(FOR KEY SEE REVERSE)

1. Radar magnets are cast from magnetic steel and plated with aluminum, 1 mm. thick. The weight of the magnet is approximately 2½ kg. The magnets are cast at the Metallurgical Works at Tynec nad Sazavou.¹

2. [redacted] magnet in the experiment and development department at the 9th of May Plant, (Zavoda 9, Kvetna) at Brodce nad Sazavou,² after Eng. Dedek (fnu) received it from the Metallurgical Works.

3. [redacted] the magnets are used in radar installations. Five coils were to be wound on one casting, each coil consisting of steps of copper wire, 2 mm. thick. Two of the coils were larger in size and were to be placed in the center of the magnet. Two smaller coils followed and the smallest one was placed in the open part between the horseshoe ends.

[redacted] Comments: 25X1

1. Metallurgic Works (Metalurgicke zavody), National Enterprise, at Tynec nad Sazavou. 25X1

2. Possibly a branch plant of Moto Jawa, National Enterprise, at Brodce nad Sazavou. 25X1

[redacted] 25X1

[redacted] 25X1

SECRET/CONTROL - U.S. OFFICIALS ONLY

STATE	X	ARMY	X	NAVY	X	AIR	X	FBI		AEC		OSI	Ev	
-------	---	------	---	------	---	-----	---	-----	--	-----	--	-----	----	--

(NOTE: Washington distribution indicated by "X"; Field distribution by "#".)

SECRET/CONTROL - U.S. OFFICIALS ONLY

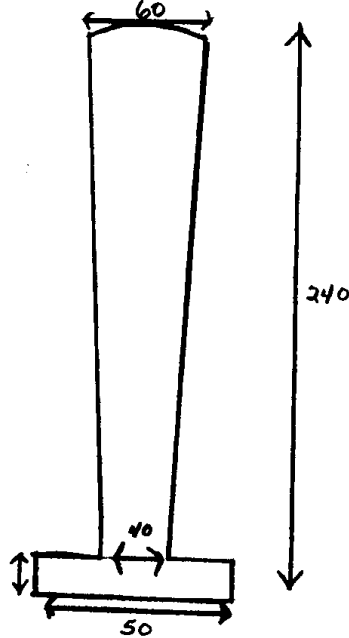
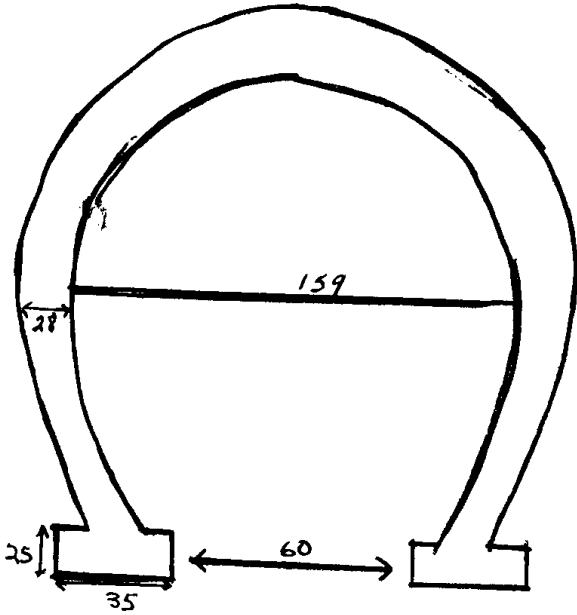
- 2 -



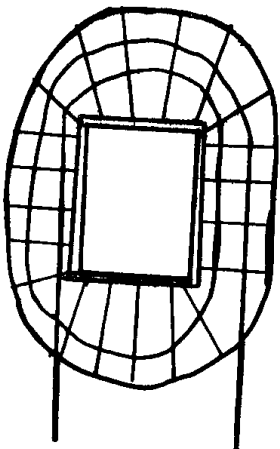
25X1

RADAR MAGNET

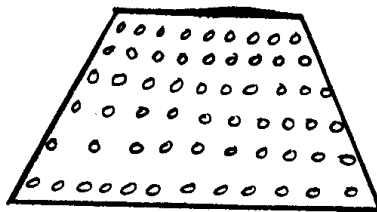
All measurements in millimeters



COIL WOUND ON THE MAGNET



Coil cross-section



Not to Scale

SECRET/CONTROL - U.S. OFFICIALS ONLY