

25X1

# INFORMATION REPORT

CD NO.

COUNTRY **Austria**

DATE DISTR. **23 March 1953**

SUBJECT **Antenna Installations at Parndorf Airfield**

NO. OF PAGES **2**

PLACE ACQUIRED



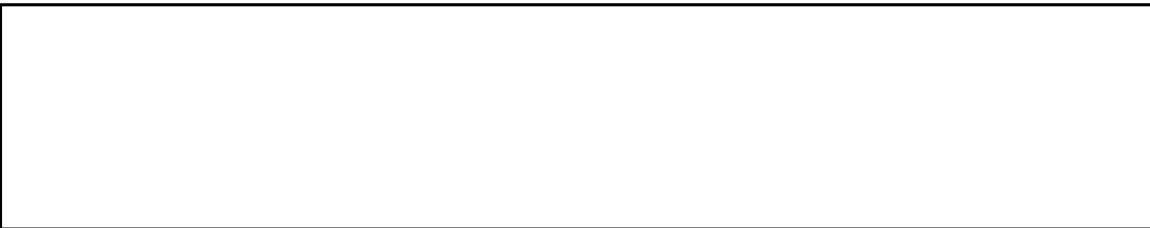
25X1

NO. OF ENCLS. (LISTED BELOW)

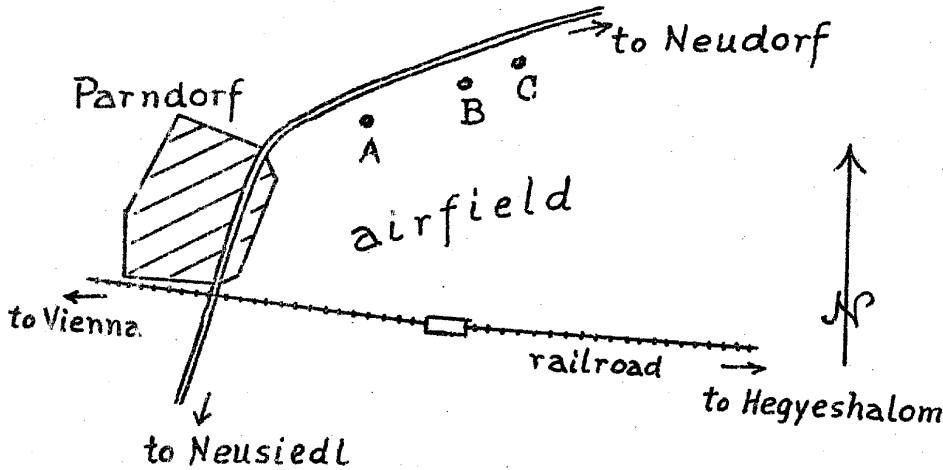
DATE OF INFO.

SUPPLEMENT TO REPORT NO.

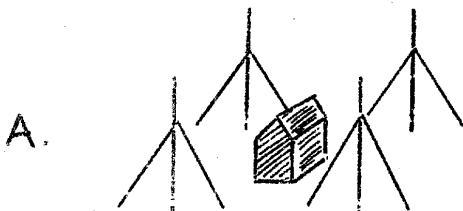
25X1



1. There are three separate antenna installations at the Parndorf airfield. Their positions at the northern boundary of the airfield along the main road Parndorf-Neudorf are marked A, B, and C on the sketch below:



2. A sketch of each antenna corresponding to the above letters A, B, C, is given below:



25X1

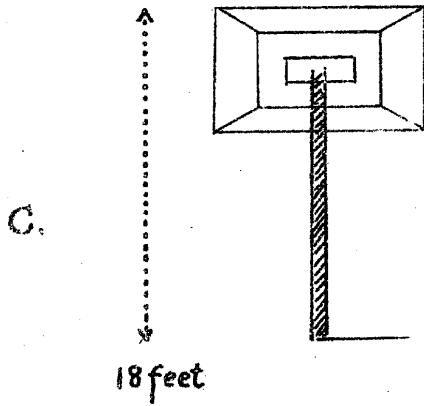
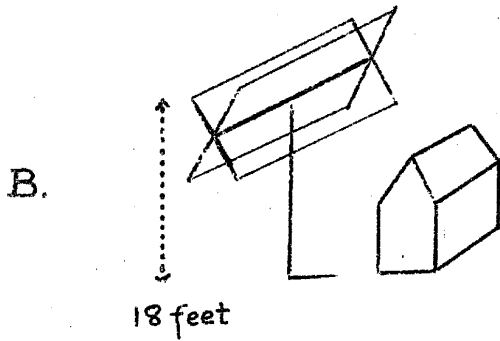


327



SECRET

- 2 -



3. Eight jet fighters were parked on the airfield on 26 January 1953.

SECRET