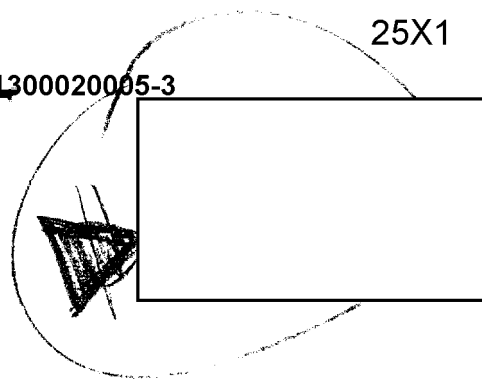


10/4/66



2 April 1966

MEMORANDUM FOR: Mr. Sherman Kent

SUBJECT: Some Comments on your Paper "Possible Chinese Reactions to the OXCART Program"

1. I personally am inclined to think that the last sentence of paragraph 2 is a bit weak given the Japanese aversion to all things atomic.

2. In view of the item in the PDB and the CIB today about Soviet defense exercises against a simulated A-11 attack, I wonder if it would not be useful to have some language in this paper dealing with Soviet reaction to a Chinese announcement that we had overflown China. *H*

3. You might dispose in your paper ~~over~~ a Chinese Communist reaction consisting of foot soldiers into North Vietnam. It is not a reaction which I can conceivably regard as likely, but somehow it occurs to the reader, when considering this problem, and might well be put to rest.

Please return the paper when finished and I will show it to the Director.

RH
Richard Helms
Deputy Director