

25X1
25X1A
25X1

Comirex Min

Approved For [redacted]

Release 2006/12/02 CIA RDP79B01709A000700050005-6
~~TOP SECRET~~
COMIREX-M-50

COMMITTEE ON IMAGERY REQUIREMENTS AND EXPLOITATION

NRO REVIEW COMPLETED

COMIREX-M-50
3 October 1968

*Approved 17 Oct 68
per m-52*

The following is an index of the Minutes of the 3 October 1968 COMIREX Meeting:

25X1C

Page 5 Special Briefing - [redacted]

Section I (Briefings and Reports on Operations)

Page 7 Operational Briefing -- Satellite
9 Report on Aircraft Activities -- Far East
12 Report on Aircraft Activities -- Cuba

Section II (NPIC Report)

Page 13 Mission Highlights

Section III (Subcommittee and Working Group Reports)

Page 17 Report from Imagery Exploitation Subcommittee

Section IV (Action Items)

Page 18 Review of Search Requirement for Underdeveloped Areas
Page 21 Recommendation on Advance of Date of Launch of Mission 1105

25X1

25X1A

[redacted]
Copy [redacted] of 66

GROUP 1
Excluded from automatic
downgrading and declassification

25X1A
25X1A
25X1

[redacted]

[redacted]

25X1
25X1A

Approved For Release 2006/12/02 CIA RDP79B01709A000700050005-6

~~TOP SECRET~~
[redacted]

copy 01 [redacted]

25X1
25X1A



~~TOP SECRET~~



25X1

Section V (Status of Recent COMIREX Papers)

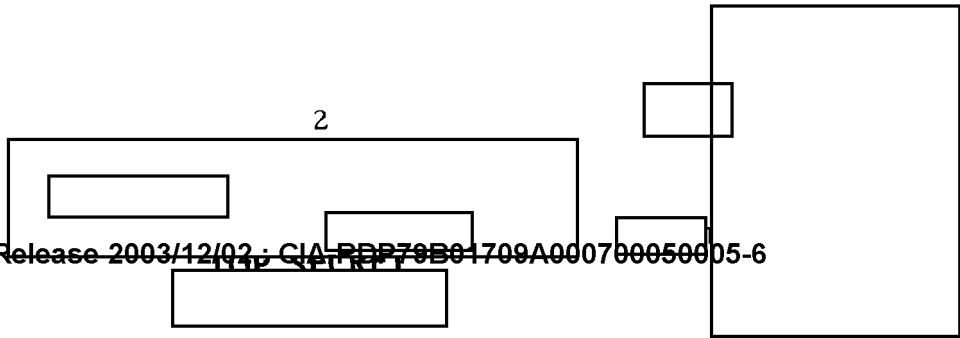
- Page 22 Development of Requirements for First- and Second-Phase Exploitation Program (COMIREX-D-31.2/12)
- Page 22 Program for Planning the Exploitation of Reconnaissance Imagery (COMIREX-D-31.2/13)
- Page 23 EXRAND Objectives for Research and Development in Imagery Exploitation
- Page 23 Overhead Imagery Reconnaissance of North Vietnam During a Truce (Revision of COMIREX-D-25.3/3, circulated by the DIA member on 26 September)
- Page 24 National Base of Imagery Derived Information Service Center and Operating Procedures (COMIREX-D-32.2/6)

Section VI (Other Business)

- Page 25 Time Required to Insert Color Film into Satellite Missions
- Page 25 Processing Time at Eastman Kodak
- Page 25 Recovery of Silver from NRP Film

25X1

25X1A
25X1A
25X1A



25X1
5X1A
25X1

25X1
25X1A
25X1
ILLEGIB

Approved For Release 2008/12/02 : CIA-RDP79B01709A000700050005-6
TOP SECRET COMPLEX-M-50

ILLEGIB

COMMITTEE ON IMAGERY REQUIREMENTS AND EXPLOITATION

Minutes of Meeting Held in Auditorium

25X1A

1000-1300, Thursday, 3 October 1968

PRESIDING

25X1A

[Redacted]

Chairman

MEMBERS PRESENT

25X1A

Mr. L. A. Moyer, Jr., State
[Redacted] DIA
Col. C. C. Clayton, OACSI
Capt. S. E. Sloan, ONI

Col. C. E. Phipps, AFNIN
[Redacted]

25X1A

CONSULTANTS PRESENT

25X1A

[Redacted]

Mr. C. G. Coleman, ACDA
Lt. Gen. J. J. Davis, ACDA
Mr. A. W. Gullion, ACDA
Mr. E. B. Roth, ACDA
Mr. R. F. Trapp, ACDA
Mr. J. C. St. Cyr, OACSI

[Redacted]

25X1A

25X1A

[Redacted]

25X1A
25X1A
25X1A

[Redacted]

[Redacted]

25X1

TOP SECRET

[Redacted]

25X1A

25X1

25X1
25X1A
25X1

Approved For Release 2003/12/02 : CIA-RDP79B01709A000700050005-6

TOP SECRET

COMINT EX-M-50

25X1A

[Redacted]

Acting Executive Secretary
Ch/Imagery Exploitation
Subcommittee
Acting Ch/Imagery Collection Requirements
Subcommittee
/Exploitation Research and Development
Subcommittee
/Ch/Exploitation Research and
Development Subcommittee
International Imagery Data Base Working Group
Mapping, Charting, and Geodesy Working
Group

25X1A
25X1A
25X1A

4

[Redacted]

25X1

[Redacted]

25X1

Approved For Release 2003/12/02 : CIA-RDP79B01709A000700050005-6

TOP SECRET

[Redacted]

25X1A

[Redacted]

25X1

Approved For Release 2003/12/02 : CIA-RDP79B01709A000700050005-6

25X1C

Next 1 Page(s) In Document Exempt

Approved For Release 2003/12/02 : CIA-RDP79B01709A000700050005-6

25X1
25X1A

[Redacted]

Approved For Release 2003/12/02 : CIA-RDP79B01709A000700050005-6

TOP SECRET

COMIREX-M-50

[Redacted]

25X1

Section I (Briefings and Reports on Operations)

Operational Briefing--Satellite

25 [Redacted] 25X1A

25X1

25X1A

1. [Redacted] reported satellite schedules and operations as of 3 October 1968 as follows:

[Large Redacted Area]

25X1D

25X1A
25X1A

7

[Redacted]

[Redacted]

25X1

25X1A

Approved For Release 2003/12/02 : CIA-RDP79B01709A000700050005-6

TOP SECRET

[Redacted]

25X1
25X1A

25X1

[Redacted]

25X1
25X1A
25X1

Approved For Release 2003/12/02 : CIA-RDP79B01709A000700050005-6

TOP SECRET

CORONA

1048 - Launched 2130Z, 18 September 1968
Recovered 1st bucket (9 days) - 28 Sept, 0010Z
Recovered 2nd bucket (5 days) - 2 October, 2305Z
Film processing/distribution:
Estimated arrival 2nd bucket at Eastman Kodak -
3 Oct, 1800Z
Estimated arrival 2nd bucket Priority 1 in D. C. area -
6 Oct, 1600Z
Estimated arrival 2nd bucket Priority 2 in D. C. area -
7 Oct, 1600Z

Projected stereo coverage:
1st bucket - Land area - 2.90 million sq. n.m.
Targets - Approximately 2,400

2nd bucket - Land area - 2.90 million sq. n.m.
Targets - Approximately 2,400

1105 - Scheduled 30 October 1968
Estimated 1st bucket recovery (9 days) - 8 Nov, 2230Z
Estimated 2nd bucket recovery (9 days) - 17 Nov, 2230Z
Film processing/distribution:
Estimated arrival 1st bucket at Eastman Kodak -
9 Nov, 1800Z
Estimated arrival 1st bucket Priority 1 in D. C. area -
12 Nov, 1600Z
Estimated arrival 1st bucket Priority 2 in D. C. area -
13 Nov, 1600Z
Estimated arrival 2nd bucket at Eastman Kodak -
18 Nov, 1800Z (Processing to begin
21 Nov at Eastman Kodak)
Estimated arrival 2nd bucket Priority 1 in D. C. area -
24 Nov, 1600Z
Estimated arrival 2nd bucket Priority 2 in D. C. area -
25 Nov, 1600Z

25X1A
25X1A
25X1A
25X1

8

Approved For Release 2003/12/02 : CIA-RDP79B01709A000700050005-6

TOP SECRET

25X1
25X1A

25X1
25X1A

[Redacted] Approved For Release 2003/12/02: CIA-RDP79B01709A000700050005-6

TOP SECRET

[Redacted]

25X1

Projected stereo coverage:
1st bucket - Land area - 2.75 million sq. n.m.
 Targets - Approximately 2,400
2nd bucket - Land area - 2.75 million sq. n.m.
 Targets - Approximately 2,400

1106 - Scheduled 11 December 1968
Estimated 1st bucket recovery - 18 Dec 68
Estimated 2nd bucket recovery - 26 Dec 68

1049 - Scheduled 29 January 1969
Estimated 1st bucket recovery - 6 Feb 69
Estimated 2nd bucket recovery - 14 Feb 69

1107 - Scheduled 12 March 1969
Estimated 1st bucket recovery - 21 Mar 69
Estimated 2nd bucket recovery - 30 Mar 69

1050 - Scheduled 14 May 1969
Estimated 1st bucket recovery - 22 May 69
Estimated 2nd bucket recovery - 30 May 69

25X1A

Report on Aircraft Activities -- Far East

[Redacted]

25X1

25X1A
25X1D
25X1D

2. [Redacted] confirmed the standdown of [Redacted] and IDEALIST/TACKLE. [Redacted] then reported that in the period 27 September through 3 October the following GIANT SCALE and [Redacted] missions had been flown:

25X1A

<u>Date</u>	<u>Mission</u>	<u>Area/Targets</u>	<u>Remarks</u>
<u>GIANT SCALE Activities</u>			
30 Sep	GS060	Vinh Afd, Ben Thuy Transpt Pt, Bai Thuong Afd, Rte 1A, Rte 101, Dien Bien Phu, Yen Bai, Kep, Hon Gai, Cam Pha, RR 6, RR 2, RR 10	Results fair

25X1A
25X1A
25X1A

9 [Redacted] [Redacted] [Redacted] [Redacted] [Redacted] [Redacted] [Redacted] [Redacted] [Redacted] [Redacted]

25X1

25X1
25X1A

25X1

25X1
25X1A

[Redacted] Approved For

25X1

<u>Date</u>	<u>Mission</u>	<u>Area/Targets</u>	<u>Remarks</u>
<u>GIANT SCALE Activities cont.</u>			
1 Oct	GS061	Dien Bien Phu, Nam Dinh, Phu Ly, Rte 1A, RR 4, Rte 10, Lang Son, Dong Dang, Vinh, RR 1, RR 2, Rte 15, Rte 7	Results unknown
3 Oct	GS062	Hoa Lac, Dien Bien Phu, Vinh Complex, Bai Thuong	Results unknown

25X1D

[Redacted] Activities

27 Sep	Q842 (low)	Cat Bi Afld, SAM Site 311, Haiphong Naval Base, SAM Site 71	Lost, Crashed during recovery
28 Sep	Q834 (low)	Nam Dinh TPP, Nam Dinh Transpt Pt, Seg RR 4, Phu Ly RR Yd, Bai Thuong Afld	Successful, MARS
30 Sep	Q824 (low)	Rte 1A	Successful, MARS
30 Sep	Q224 (high)	Rte 10 Haiphong-Vinh Binh; Rte 1 and RR Nam Dinh-Thanh Hoa; RR and Hwy Thanh Hoa-Vinh; Thanh Hoa RR Bypass; Thanh Hoa Transpt Pt, Thanh Hoa RR Ferry; RR and Hwy Vinh-DMZ; Ben Thuy Port Fac	Successful, MARS
1 Oct	Q822 (low)	DMZ, Rte 1A	Successful, MARS

25X1A
25X1A
25X1A

10

TOP SECRET

Approved For Release 2003/12/02 : CIA-RDP79B01709A000700050005-6

25X1

25X1
25X1A

25X1

25X1
25X1A

[Redacted] Approved For Release

25X1

25X1D

<u>Date</u>	<u>Mission</u>	<u>Area/Targets</u>	<u>Remarks</u>
	[Redacted]	Activities cont.	
2 Oct	Q842 (low)	Cat Bi Afld, SAM Site 311, Haiphong Naval Base, SAM Site 71	Successful, MARS
3 Oct	Q240 (high)	Nam Dinh, Hanoi, Phuc Yen, Hoa Lac Suspect Afld, Phu Ly	Successful, MARS
		Successful	6
		Lost	1

25X1A

3. [Redacted] reported against two principal South China/North Vietnam requirements as follows:

a. Coverage of Lines of Communications (LOC) pertinent to the introduction of Chinese forces into North Vietnam (see COMOR-D-25/207, 4 March 1966.) The number of LOC priority targets in South China and North Vietnam remains at 143. For the period 26 September - 2 October, surveillance coverage was reported on three priority targets in North Vietnam. The specific targets are underlined in Tab A.

b. Coverage of North Vietnam to detect the possible introduction or deployment of offensive missile systems (see COMOR-D-25/200, 23 May 1967 and COMIREX-D-25.3/2, 20 November 1967) is shown on the grid map at Tab B for the period 19-25 September. No SSM activity was observed.

25X1A

[Redacted]

25X1

25X1A
25X1
25X1A

[Redacted]

[Redacted]

25X1
25X1A

[Redacted]

25X1

25X1
25X1A

[Redacted] Approved For Release 2003/12/02 CIA-RDP79B01709A000700050005-6

[Redacted]

25X1

Report on Aircraft Activities -- Cuba

[Redacted]

25X1

25X1A

4. [Redacted] reported that [Redacted] activities for the period 27 September through 3 October are as follows:

25X1D

<u>Date</u>	<u>Mission</u>	<u>Results</u>
1 Oct	G044	Successful, 28.0% coverage

Recap

<u>Date</u>	<u>Mission</u>	<u>Net</u>	<u>Cumulative</u>
1 Oct	G044	28.0%	28.0%

Current reporting period extends from 30 September through 24 November.

25X1A

5. [Redacted] reported that during the 56-day period beginning 8 August 1968, nine [Redacted] missions were flown over Cuba and provided 95 percent coverage of the area. During this period 151 of the 159 targets in Cuba were covered completely on cloud-free photography.

25X1D

25X1A
25X1A
25X1A

12

[Redacted]

[Redacted]

25X1

[Redacted]

25X1A

25X1

[Redacted]

25X1
25X1A

[Redacted]

Approved For Release 2003/12/02 : CIA-RDP79B01709A000700050005-6

~~TOP SECRET~~

COMIREX-M-50

[Redacted]

25X1

Section II (NPIC Report)

Mission Highlights

[Redacted]

25X1

[Redacted]

25X1

a. Portions of Hungary, Yugoslavia, and Bulgaria are covered by two passes on 23 and 25 September 1968. No high priority targets are covered on either pass, and interpretation is limited by scattered to heavy clouds.

b. Nine of the deployed ICBM complexes (Aleysk, Dombarovskiy, Gldkaya, Imeni Gastello, Kartaly, Tyumen, Uzbur, Yoshkar-Ola, and Zhangiz-Tobe) are at least partially covered on photography. Five ICBM launch sites are newly identified.

c. The entire Tyuratam missile test center is observed. The launch vehicle was still on the pad at Complex J-1 on 24 September. Construction continues at launch group 0 and launch site 17.

d. The sixty-first SA-5 SAM complex is identified in an early stage of construction, approximately 9.6 n.m. west of Komsomolsk, USSR. The complex is oriented in an east-northeasterly direction, and at this time only one launch site is under construction.

e. The fifth Suspect Advanced Weapons Related Facility (SAWRF) at the Shuang Cheng Tzu missile test center, China, is newly identified on this mission. Initial ground scarring was first evident in April 1968, and as of this coverage, construction has progressed to a point where the corridor pattern is clearly defined. The facility is 12 n.m. southeast of SAWRF 2, 12 n.m. east of SAWRF 1, and 25 n.m. northeast of Launch Complex C.

[Redacted]

25X1

25X1
25X1A

Approved For Release 2003/02/27: CIA-RDP79B01709A000700050005-6

TOP SECRET

[Redacted]

25X1

f. Five percent of North Vietnam is observed through heavy clouds on one pass on 26 September 1968.

g. The USS PUEBLO remains at the Najin naval facility.

h. Portions of China are covered on 21 passes with more than 85 percent cloud-free photography. The preliminary scan of approximately 20 percent of the photographic coverage reveals no significant information or appreciable differences in ground and air order of battle.

i. Portions of the Middle East are covered by six passes, the photography being of fair to good interpretability and 95 percent cloud free.



25X1D

[Redacted]

25X1

25X1A
25X1A
25X1A

[Redacted]

[Redacted]

25X1
25X1A

TOP SECRET

[Redacted]

25X1

25X1D

Next 1 Page(s) In Document Exempt

25X1
25X1A

[Redacted]

~~TOP SECRET~~

[Redacted]

25X1

Section III (Subcommittee and Working Group Reports)

Report from Imagery Exploitation Subcommittee

[Redacted]

25X1

25X1A

1. [Redacted] reported that the second bucket of Mission 1048 will arrive in Washington over the weekend. Upon conducting a canvass of the community, the only requirement for overtime exploitation was DIA's request for a scan of the Czechoslovakian/East European area. [Redacted] reported that the NPIC was aware of this need and could respond to it without undue difficulty.

25X1A

25X1A
25X1
25X1A
25X1A

17
[Redacted]

[Redacted]

25X1

[Redacted]

25X1A

~~TOP SECRET~~

[Redacted]

25X1

Approved For Release 2003/12/02 : CIA-RDP79B01709A000700050005-6

25X1B

Next 2 Page(s) In Document Exempt

Approved For Release 2003/12/02 : CIA-RDP79B01709A000700050005-6

25X1
25X1A

[Redacted] Approved For

[Redacted]

25X1

Recommendation on Advance of Date of Launch of Mission 1105

[Redacted]

25X1A

25X1A

6. [Redacted] reported that if it were deemed desirable to advance the date of launch of Mission 1105 such could be accomplished by putting the payload assembly and test crew on a seven-day week. If this were done, it would be possible to launch the mission on 23 October. The program manager does not recommend that this be attempted in that accelerating this critical pre-launch phase would result in an increased risk of on-orbit failures. Furthermore, launch on the 23rd probably would not provide enough time to get full AMS readout on the area coverage acquired by Mission 1048-2 so that it could be used for proper programming of Mission 1105.

25X1A

7. [Redacted] said that he recognized the problem created in mission readout by the short interval between KH-4 missions but was also aware of the operational problems and, therefore, would recommend that 1105 be launched on schedule. He emphasized that the problem from the intelligence community viewpoint entailed an administrative and procedural inconvenience while from NRO's perspective, hardware and launch facility problems were involved. In his view, there was no reasonable alternative other than to support the currently proposed launch date. [Redacted] commented that he felt the launch date of 1105 should not be changed. He said that while the principle of [Redacted] should be adhered to if at all possible, he did not feel that major alterations to schedules should be attempted when [Redacted] occurred.

25X1A
NR
25X1
NRO
25X1
25X1A

[Redacted] reported that both EXSUBCOM and ICRS could adapt to the present schedule by establishing exploitation priorities. Action: Recommendation that Mission 1105 be launched as scheduled.

25X1A
25X1A
25X1A

[Redacted]

[Redacted]

25X1

[Redacted]

[Redacted]

25X1A

25X1

25X1
25X1A

[Redacted] Approved For Release 2003/02/02 CIA-RDP79B01709A000700050005-6

TOP SECRET

COMIREX-M-50

25X1

Section V (Status of Recent COMIREX Papers)

Development of Requirements for First- and Second-Phase Exploitation Program (COMIREX-D-31.2/12)

1. Action: These requirements were approved without discussion.

Program for Planning the Exploitation of Reconnaissance Imagery (COMIREX-D-31.2/13)

25X1A

25X1A

2. The Security Representative, [Redacted], reported that current [Redacted] control regulations do not permit the present document to be issued at the TALENT-KEYHOLE level instead of [Redacted]. He pointed out that much of the information contained referred to reconnaissance programs not yet flying; these data are protected by [Redacted] codewords. [Redacted] added that the NRO was providing the data on the assumption that [Redacted] control would be continued. Further staffing by NRO might change this but it does not seem likely. [Redacted] stated that he was surprised at the NRO/Office of Security interpretation since it was his understanding that, when the request for information was made, the requirement that it be provided for use at TALENT-KEYHOLE was also stipulated. This was done in order that exploitation components could use the data in estimating workloads and resource requirements. [Redacted] agreed and thought that perhaps the problem could be overcome if the data could be generalized by devising an "index" of work efforts expected instead of tabulating specific programs on a mission-by-mission basis.

25X1A

25X1A

25X1A
25X1A
25X1A

25X1A

25X1A

3. [Redacted] stated that aside from the security problem, there was the additional consideration that the data accurately reflect what the actual program will be. In particular, FY 1971 appears to be too heavy in terms of requirements for coverage and photo interpretation capability.

NRO
25X1

[Redacted]

25X1A

25X1

25X1A
25X1
25X1A

[Redacted]

25X1A

TOP SECRET

25X1

25X1
25X1A

[Redacted] Approved For Release 2003/12/02 : CIA-RDP79B01709A000700050005-6

TOP SECRET

COMIREX M-50

LE

25X1

NRO
25X1

[Redacted]

Unless this presentation is straightened out, people getting the data will be unable to make the judgment as to which data are real and, consequently, what level of exploitation effort will be required. He recommended that the paper be remanded to EXSUBCOM and requested that the Subcommittee attempt to resolve the problem of data. This was agreed by COMIREX along with recognition of the need to classify the data [Redacted] pending a further review by the Office of Security and NRO.

25X1A

EXRAND Objectives for Research and Development in Imagery Exploitation

[Redacted]

25X1

25X1A

4. [Redacted] introduced the discussion by commenting that the compilation of R&D objectives was a milestone in the EXRAND area. [Redacted] stated that there were no problems with the list of objectives but that he was not prepared to agree to their priority order. [Redacted] replied that EXRAND recognized the objectives may not be in proper order but needed the objectives to begin work on the FY 1970 program. Therefore, if the objectives per se could be approved, EXRAND would be in a position to start working with them and could make recommendations concerning priority later. The Chairman requested [Redacted] to prepare a briefing for COMIREX on 10 October to explain the program with emphasis on how the objectives were developed and how EXRAND intends to use them. Action: Objectives approved - priority order deferred.

25X1A

25X1A

25X1A

Overhead Imagery Reconnaissance of North Vietnam During a Truce (Revision of COMIREX-D-25.3/3, circulated by the DIA member on 26 September)

5. Discussion of this paper was deferred until 10 October.

25X1A
25X1A
25X1
25X1A

23

[Redacted]

25X1

[Redacted]

25X1A

25X1

TOP SECRET

[Redacted]

[Redacted]

25X1

National Base of Imagery Derived Information Service Center
and Operating Procedures (COMIREX-D-32. 2/6) []

25X1

25X1A 6. [] commented that he hoped this
25X1A concept and procedures had been thoroughly staffed throughout
25X1A the intelligence agencies since more than just photo interpretation
25X1A elements may be involved. [] replied that he had been
25X1A assured by DBWG members that such staffing has occurred
25X1A and that, as a consequence, DBWG was prepared to get started
25X1A on the concept immediately. [] stated that he assumed
25X1A that as the program goes into effect and difficulties occur
changes can be made as needs dictate. [] assured
COMIREX that this was the case and the DBWG would see to it
that the data base and operating procedures were responsive
and dynamic. Action: Approved.

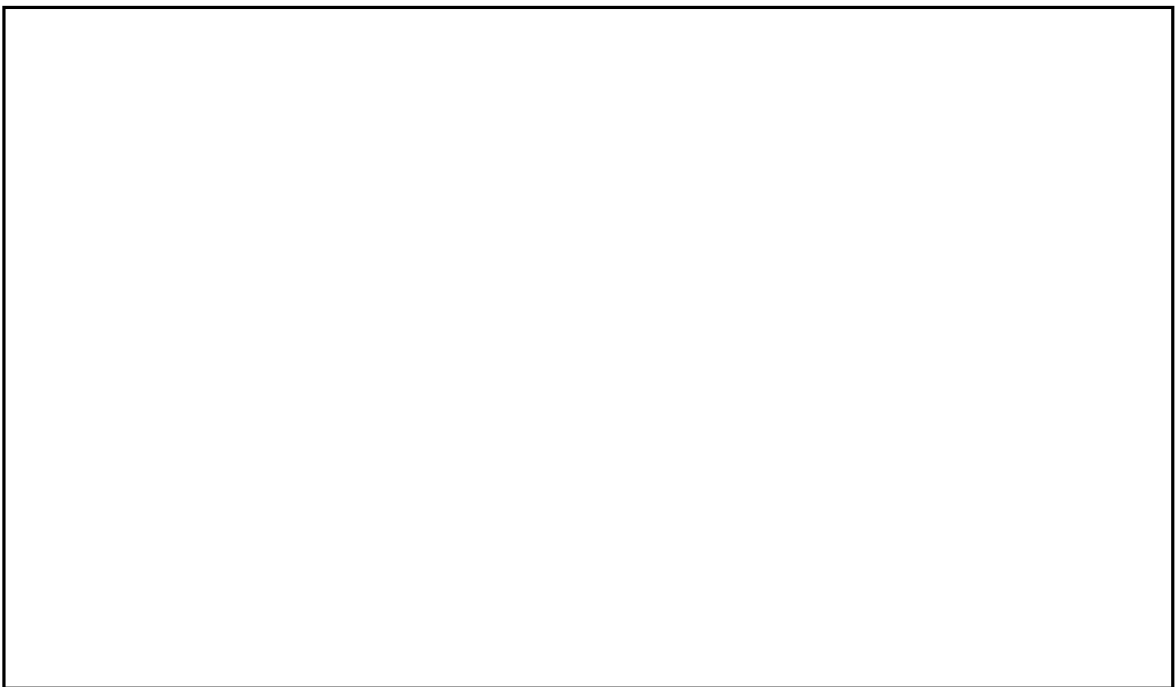
25X1A
25X1A
25X1A
25X1

25X1
25X1A
25X1A

TOP SECRET

25X1

Section VI (Other Business)



25X1A

Recovery of Silver from NRP Film

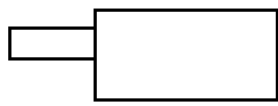
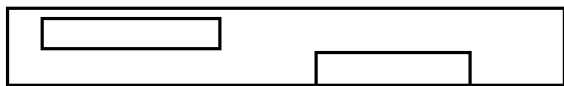


25X1A

25X1A
25X1A

3. [redacted] reported that the Westover silver recovery facility would be operational in about 30 days. [redacted] asked if NRO has computed how much of total silver usage is consumed by the NRP. He felt that if such data could be available COMIREX could better understand how hard it should work toward alleviating the silver shortage.

25X1A
25X1A
25X1A
25X1



25X1

25X1A

TOP SECRET

25X1
25X1A

[Redacted] Approved For Release

[Redacted]

25X1

25X1A

NOTE: [Redacted] reported that SAC preferred to move the date of the second PI course from the week of 4 November to the week of 18 November. This reschedule would provide for maximum use of the school facilities and would enable SAC to take advantage of a field trip scheduled for the regular trainees.

25X1A

[Redacted]

Acting Executive Secretary
Committee on Imagery Requirements and Exploitation

Attachments
Tabs A, B, C, & D

25X1A

- Copies 5, 6 State TCO
- 7 DIA [Redacted]
- 8, 9, 10, 11 DIA TCO
- 12, 13 OACSI TCO
- 14, 15 ONI TCO
- 16, 17 AFNIN TCO
- 18, 19 NSA TCO
- 20, 21, 22 NRO TCO

25X1A

25X1A

25X1A

25X1

26

[Redacted]

[Redacted]

[Redacted]

[Redacted]

25X1

25X1
25X1A

[Redacted]

[Redacted]

Approved For Release 2003/12/02 : CIA-RDP79B01709A000700050005-6

25X1B

Next 8 Page(s) In Document Exempt

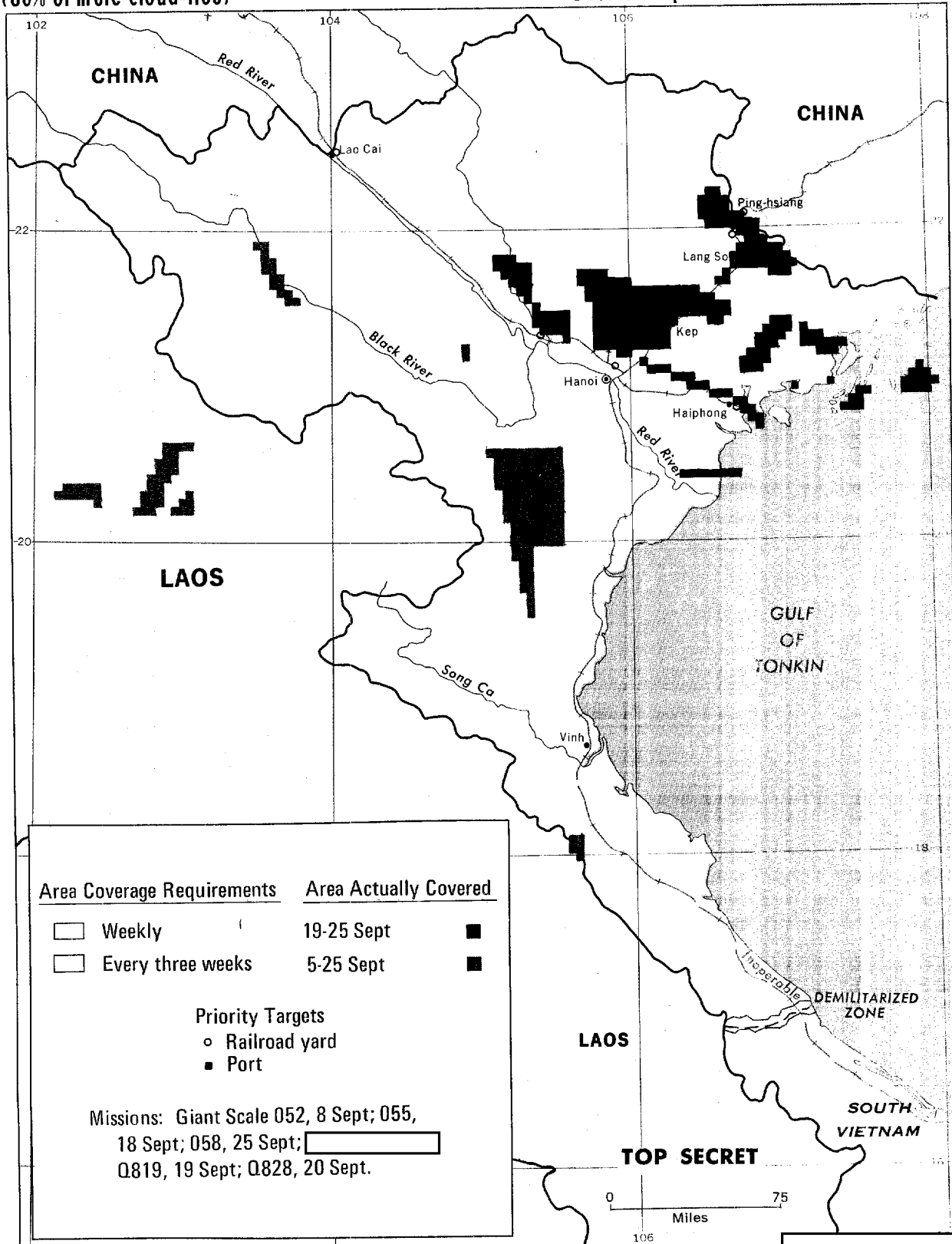
Approved For Release 2003/12/02 : CIA-RDP79B01709A000700050005-6

High Resolution Coverage of North Vietnam

(80% or more cloud-free)

Date of Report: 3 October 1968

Tab B



25X1D

25X1
25X1

25X1

TOP SECRET

TOP SECRET

Approved For Release 2003/12/02 : CIA-RDP79B01709A000700050005-6

25X1B

Approved For Release 2003/12/02 : CIA-RDP79B01709A000700050005-6

BEST COPY

Available

Approved For Release 2003/12/02 : CIA-RDP79B01709A000700050005-6

25X1B

Next 16 Page(s) In Document Exempt

Approved For Release 2003/12/02 : CIA-RDP79B01709A000700050005-6

25X1
25X1A

Approved For Release 2003/12/02 : CIA-RDP79B01709A000700050005-6
[Redacted]

TOP SECRET

[Redacted]

COMIREX-M-50

25X1

25X1A

- Copies 1,2 DCI TCO for USIB/S
- 3 TCO DCI Liaison Officer, SecDef
- 4 Dr. Donald Steininger, Executive Office Building
- 23 [Redacted]
- 24 DDP TCO
- 25-27 CIA COMIREX Member
- 28,29 Ch/ICRS
- 30 Special Center TCO
- 31 ONE TCO
- 32 IRS ReqBr/RecceGrp
- 33 OBI TCO
- 34-36 D/OSR
- 37-46 NPIC TCO
- 47 COMIREX Staff [Redacted]
- 48 Ch/EXRAND
- 49 D/IAS
- 50 TSO CIA
- 51 DDS&T [Redacted]
- 52 ASA/DCI/NIPE
- 53 D/OSI
- 54 ExSec/SORS/OSI
- 55 D/ILSS/DDS&T
- 56 D/OSP
- 57 D/OEL
- 58 D/SA
- 59 D/O/OSA
- 60 Intel/O/OSA
- 61 D/FMSAC
- 62-66 Ch/COMIREX

25X1A

25X1A

25X1A

25X1A

25X1A

25X1

[Redacted]

55

[Redacted]

25X1

Approved For Release 2003/12/02 : CIA-RDP79B01709A000700050005-6

TOP SECRET

[Redacted]

[Redacted]

25X1
25X1A