

Approved For Release 2005/02/17 : CIA-RDP78B04770A001400030023-0

APPROVED FOR RELEASE 2005/02/17		DATE	CIA-RDP78B04770A001400030023-0
REMARKS:			
Copies to be returned for filing.			
FROM: Asst. for TD			
ROOM NO.	BUILDING	EXTENSION	
Approved For Release 2005/02/17	CIA-RDP78B04770A001	400030023-0	

10037

Declass Review by NGA.

25X1

SECRET

NPIC/TDS/D-686

15 FEB 1967

MEMORANDUM FOR: Director, National Photographic Interpretation Center
THROUGH: Chief, Support Staff, NPIC
SUBJECT: Request for Approval of the Dry Process/Printer (Field)

[Redacted]

REFERENCE: Chief, Administrative Support, O/ASST Memorandum of 4 February 1967 on Approval of R&D Activities.

1. The Dry Process/Printer (Field) Project has been prepared for your approval in order for contract negotiations to be carried out in FY 1967. This project calls for the fabrication and packaging of compact printer/processor equipment based upon the use of recently developed [Redacted] dry Silver material.

2. The attached staff study, lab. and contract proposal present pertinent information and justification for this project.

3. It is recommended that this level of [Redacted] in FY 1967.

[Redacted]

Colonel / THIAN
Assistant for Technical Development, NPIC

Attachments: n/a

[Redacted]

APPROVED

ARTHUR C. LUDWIG
Director

15 FEB 1967

LATP

National Photographic Interpretation Center

Distribution

- Original NPIC/SS/LE (after approval)
- 2 D/NPIC
- 1 - Ch/AS/NPIC
- 1 - Ch/ASAB/P&M/NPIC
- 1 - LE/AS/NPIC
- 1 - O/A/ED
- 5 - NPIC/AS/AS

SECRET

GROUP 1
Excluded from automatic
downgrading and
declassification

~~CONFIDENTIAL~~

5 December 1966

DRY PROCESS/PRINTER (FIELD) - STAFF STUDY

#10037

1. PROBLEM

To provide a rapid access dry process contact printer for use in conjunction with NPIC field support responsibilities.

2. FACTS BEARING ON THE PROBLEM

a. On 13 January 1966, IAD tasked TDS with the requirement for a compact field unit to enable photointerpreters to produce good quality film and paper prints without photographic laboratory support. The unit was to be designed with minimum support requirements for operation under ambient indoor lighting conditions.

b. The unit is to be built around NPIC's standardized fly-away boxes and fly-away light table.

3. DISCUSSION

a. Background: [redacted] was contacted for information on adopting dry silver material developed under contract [redacted] for use in ambient room light conditions. When briefed on the space, support, and time limitations, the [redacted] initiated R&D efforts with its own time and money. [redacted] then submitted an unsolicited proposal to the Center for a unit which would meet the requirements.

b. Equipment: [redacted] also produced at its own expense dry silver paper and film which can be used under normal room lighting conditions. The dry silver processor included for use in the assembly is a repackaged, off-the-shelf, processor (Model #76).

c. Proposed Project: [redacted] hopes to recover some of its R&D expenses on the first model, which is priced at [redacted] with GFE fly-away box and light table. When an order of five more units is made, the price will drop to [redacted]. It should be noted that even before delivery of the first model, both the Air Force [redacted] and the Navy (Air Systems Command) have made inquiries concerning the possibility of a combined procurement of this equipment for testing purposes. [redacted] Company is making available suitable quantities of film and paper for testing and limited use of this equipment. The cost will be equivalent to, or slightly less than, conventional wet silver material. This equipment will use dry process material being developed under contract [redacted]

25X1

25X1

25X1
25X1

25X1

25X1
25X1

25X1

25X1

25X1

25X1

~~CONFIDENTIAL~~

GROUP 1
Excluded from automatic
downgrading and
declassification

CONFIDENTIAL

d. Coordination: This project has been coordinated with NRTSC of Naval Air Systems Command, WPAFB, RADC, ORD/DDS&T, and operational reconnaissance components.

4. CONCLUSIONS

The unsolicited proposal presented by the [] will accomplish the tasked requirements for a dry process field printer. It should be noted that this development will also fulfill some of the requirements for the military.

25X1

5. RECOMMENDATIONS

It is recommended that NPIC purchase the dry process field printer as proposed by the [] for testing and evaluation prior to procurement by members of the intelligence community.

25X1

6. REFERENCES AND ATTACHMENTS

TAB A - Catalog Form
ATTACHMENT: [] proposal

25X1

CONFIDENTIAL

SECRET

TAB A

Approved For Release 2005/02/17 : CIA-RDP78B04770A001400030023-0

R & D CATALOG FORM

5 December 1966

1. PROJECT TITLE/CODE NAME Dry Process/Printer (Field)	2. SHORT PROJECT DESCRIPTION Development of a rapid access contact printer suitable for field use, based on the <input type="checkbox"/> Dry Silver Process.
---	---

25X1

3. CONTRACTOR NAME <input type="text"/>	4. LOCATION OF CONTRACTOR <input type="text"/>
--	---

25X1

5. CLASS OF CONTRACTOR Manufacturer	6. TYPE OF CONTRACT N/A
--	----------------------------

7. FUNDS FY 1966 \$ None	8. REQUISITION NO. N/A	9. BUDGET PROJECT NO. NP-R-3-10037
-----------------------------	---------------------------	---------------------------------------

25X1

FY 1967 <input type="text"/>	10. EFFECTIVE CONTRACT DATE (Begin - end) N/A	11. SECURITY CLASS. AA - Confidential T - Unclassified W - Unclassified
FY 1968 \$ None		

25X1

12. RESPONSIBLE DIRECTORATE/OFFICE/PROJECT OFFICER TELEPHONE EXTENSION
DDI/NPIC/TDS

13. REQUIREMENT/AUTHORITY
NPIC Internal/IAD/OSS/Ltr 13/66 dated 13 January 1966

14. TYPE OF WORK TO BE DONE
Applied Research

MAJOR CATEGORY	SUB-CATEGORIES
Reproduction Techniques and Materials	Reproduction
	Process/Printers

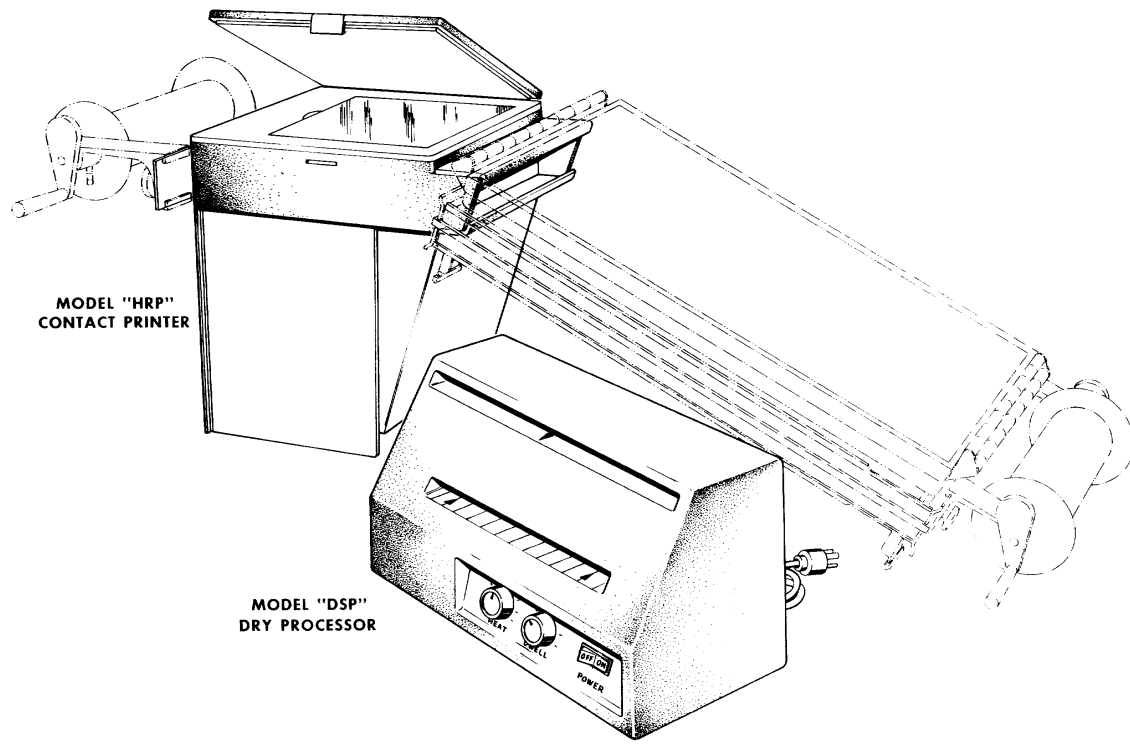
16. END ITEM OR SERVICES FROM THIS CONTRACT/IMPROVEMENT OVER CURRENT SYSTEM, EQUIPMENT, ETC.
One prototype rapid access printer processor with accessories, progress reports, and final report.

17. SUPPORTING OR RELATED CONTRACTS (Agency & Other)/COORDINATION
This project has been coordinated with NRTSC of Naval Air Systems Command, WPAFB, RADC, ORD/DDS&T and operational reconnaissance components.

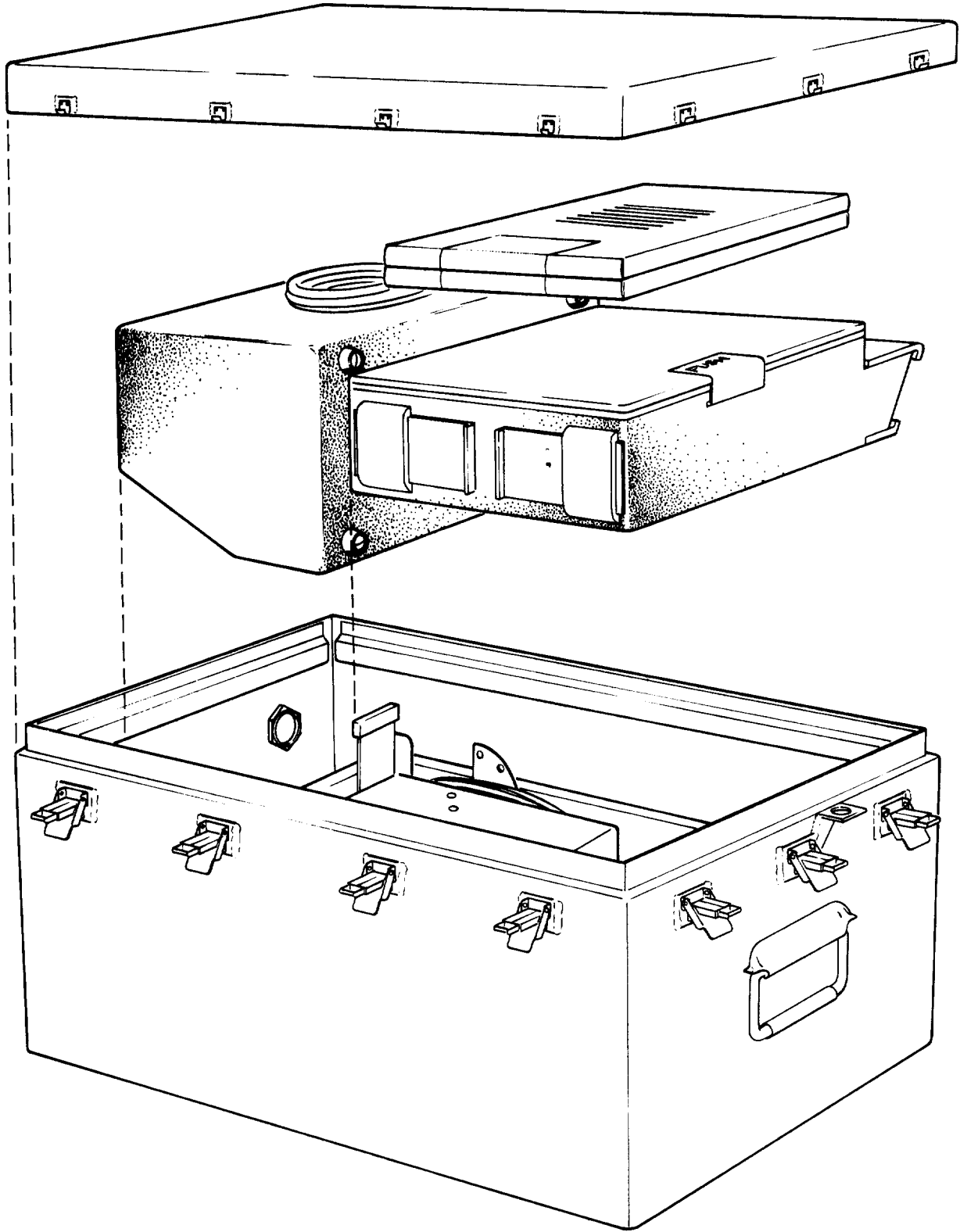
18. DESCRIPTION OF INTELLIGENCE REQUIREMENT AND DETAILED TECHNICAL DESCRIPTION OF PROJECT (Continue on additional page if required)
The objective of this project is the development and manufacture of a prototype rapid access printer processor suitable for laboratory or field use in the photo interpretation field. The equipment will exhibit significant advantages over conventional processing with regard to time, manpower, and equipment required.

19. APPROVED BY AND DATE OFFICE DEPUTY DIRECTOR DDCI	Approved For Release 2005/02/17 : CIA-RDP78B04770A001400030023-0
---	--

FLY-AWAY
TDB



EQUIPMENT SET-UP



EQUIPMENT STORAGE