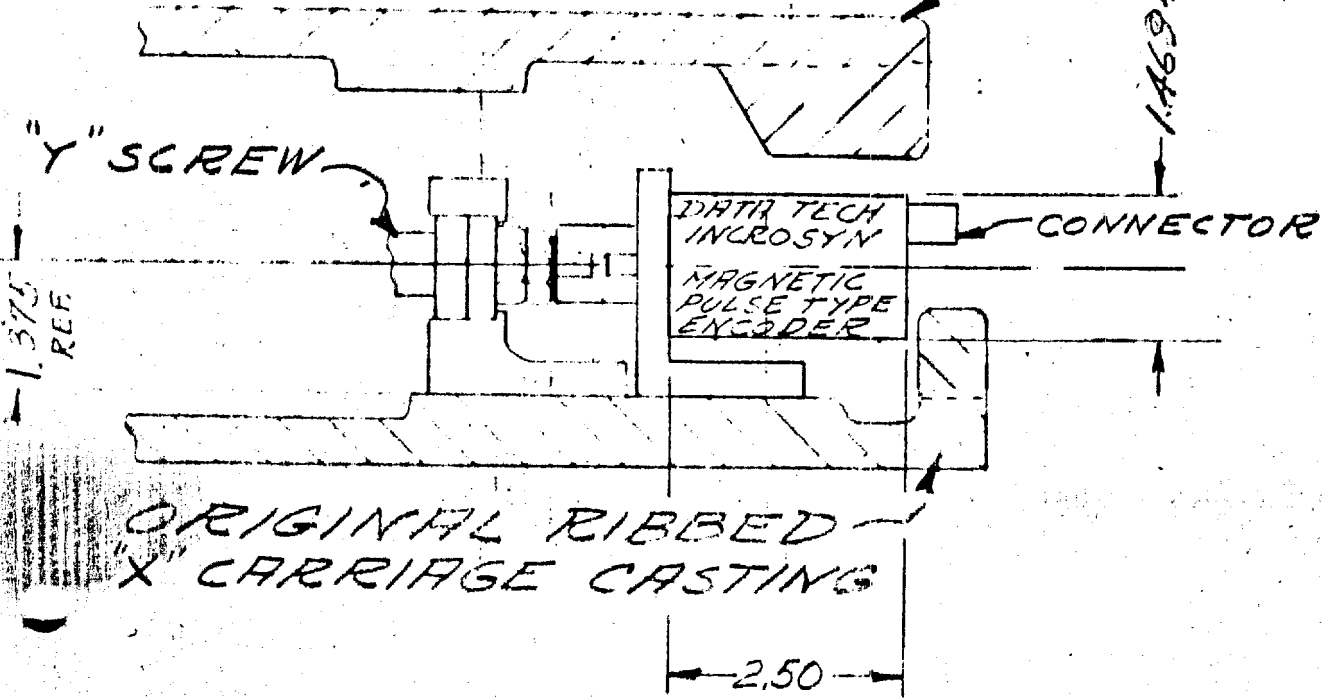
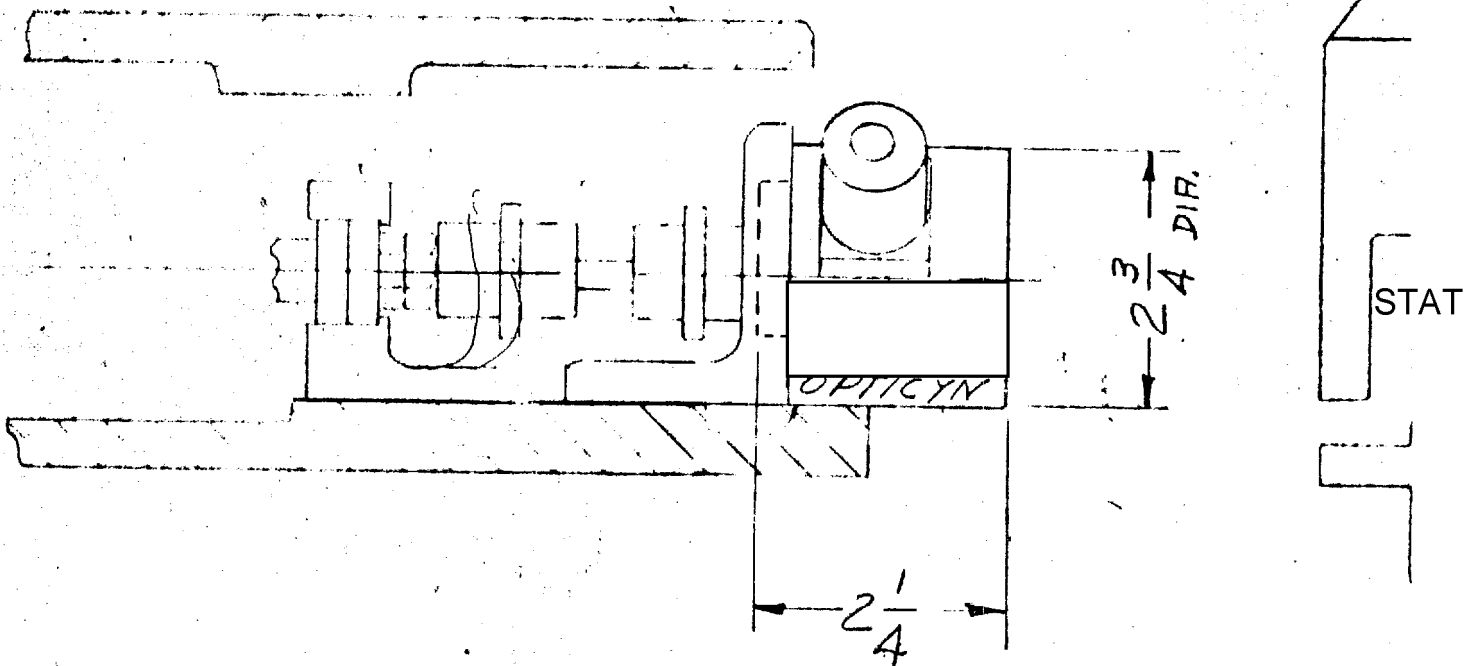


ORIGINAL RIBBED "Y" CARRIAGE CASTING

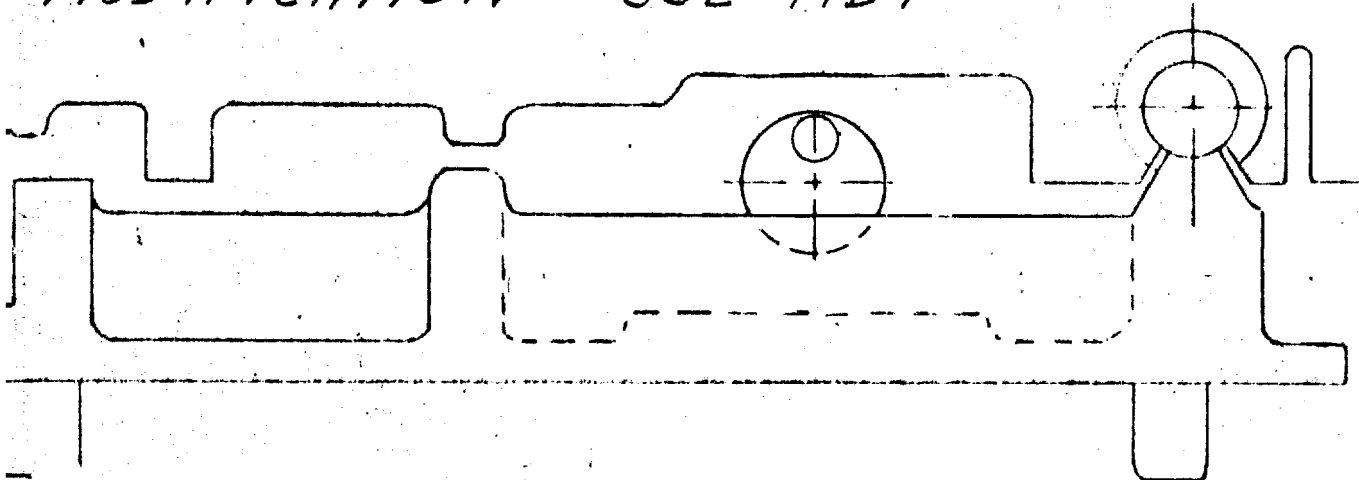


ORIGINAL RIBBED "X" CARRIAGE CASTING

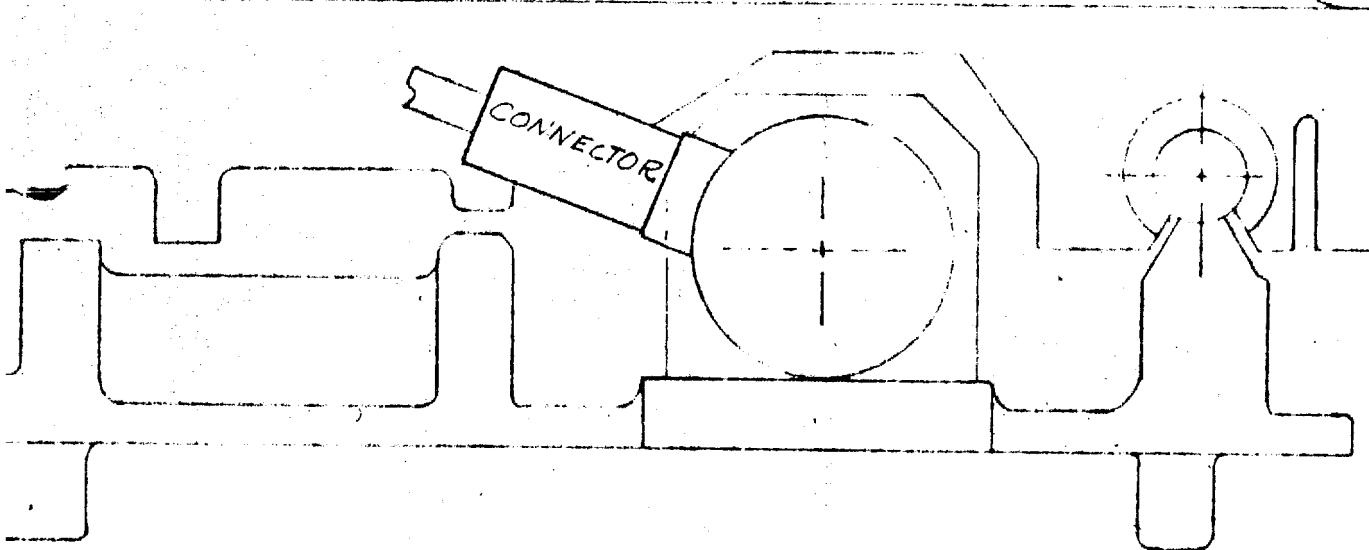


Declass Review by
NIMA/DOD

MODIFICATION 552 MDT



MODIFICATION 552 MDR I



ADD 1 MICRON BIT

552 MDR I

3/23, STAT