

~~CONFIDENTIAL~~

WHATS WOULD BE
ATTACHMENT I
STAR
CIA
DOD (ARMY NAVY AIR)

ACTIONS REQUIRED

1. INTERESTED AGENCIES

A. Will determine subscriber line requirements and furnish them to DCA.

B. Will determine their own requirements for KY-3's and order them from NSA.

OCP

2. DEFENSE COMMUNICATIONS AGENCY

A. Will provide the telephone company with a consolidated list of subscriber line requirements.

B. Will provide the telephone company with the specifications necessary to develop and install an economical, flexible and expandable switching system with appropriate circuit preemp features to meet these requirements.

C. Will request the company to develop tarrifs for billing the member agencies on either a proportional flat fee, toll call basis, lease, or a combination thereof.

3. NATIONAL SECURITY AGENCY

A. Will furnish DCA with the KY-3 circuit specifications for the various telephone transmission means.

B. Will furnish the DCA with automatic switchboard requirements that are unique to KY-3 operation for a completely flexible circuit switching system.

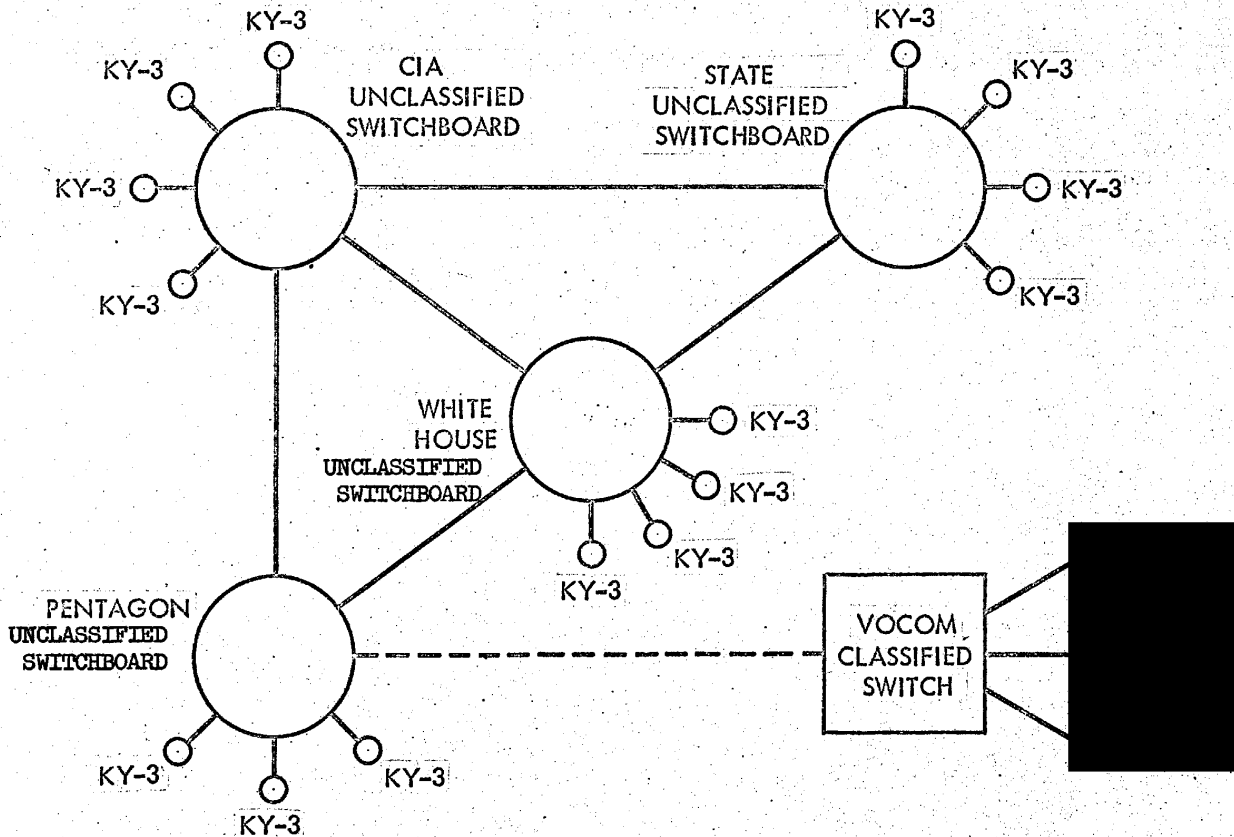
C. Will develop a more flexible card holder to facilitate multiple crypto netting for the KY-3.

D. Will consolidate U.S. Government KY-3 requirements and place the orders with appropriate commercial companies to meet the 30 day to 18 month mid-range period.

~~CONFIDENTIAL~~

WASHINGTON AREA SWITCHING SYSTEM CONCEPT

ATTACHMENT II



25X1A6a

~~CONFIDENTIAL~~