

7 June 56

NOTES FOR MEMO ON []

STAT

I If the [] and Pulse Stretcher are incorporated into the unit, it is felt that a realistic estimate of the time required for completion would be as follows:

STAT

1. Breadboarding and familiarization with [] circuits: 3 weeks

STAT

This should, ~~include~~, include a trip to [] to discuss the design parameters with the [] engineers.

STAT

STAT

2. Redesign Audio Amplifier: 1 week

3. Mechanical design: 1 week

4. Mechanical construction: 4 weeks

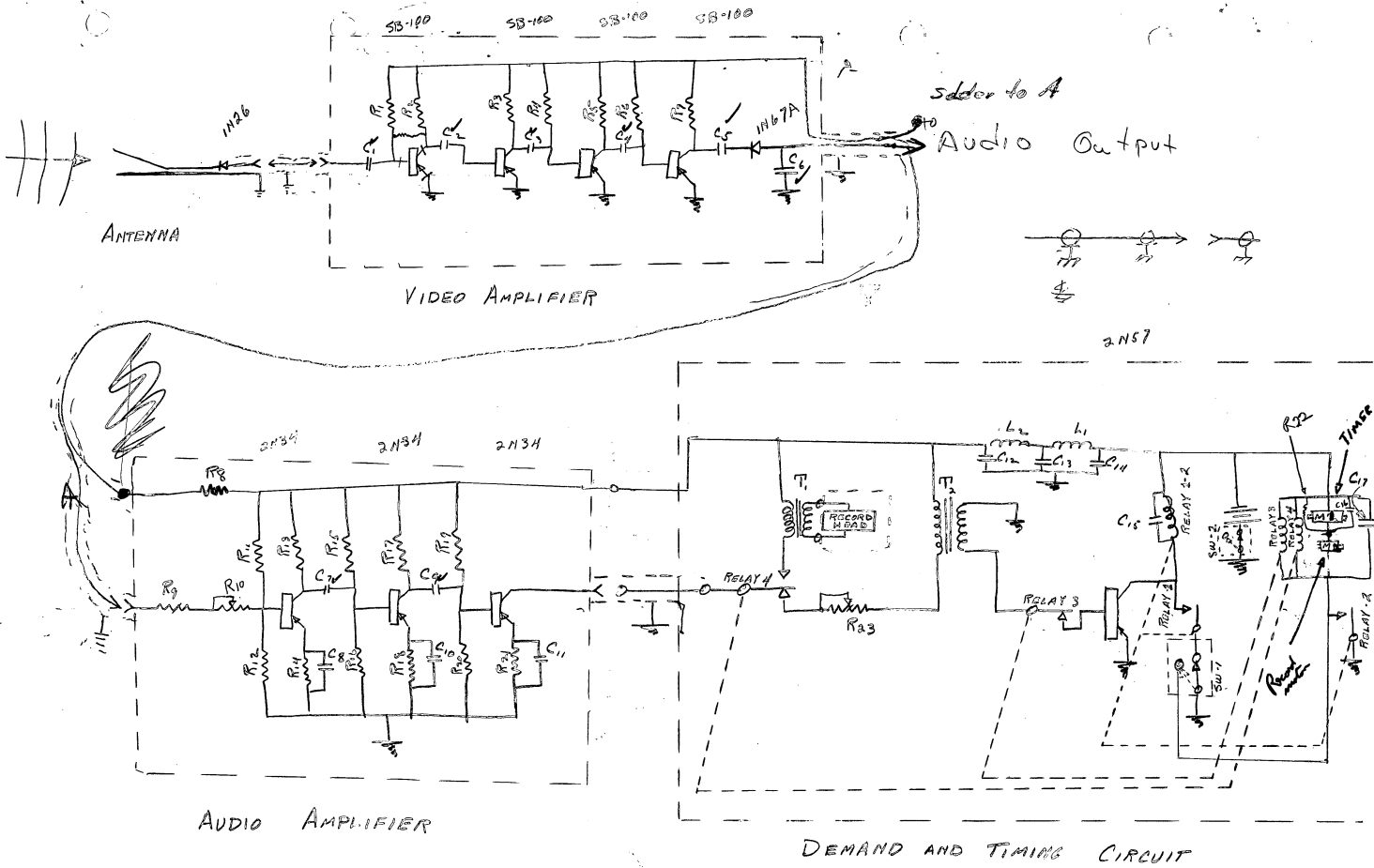
5. Electrical construction: 6 weeks

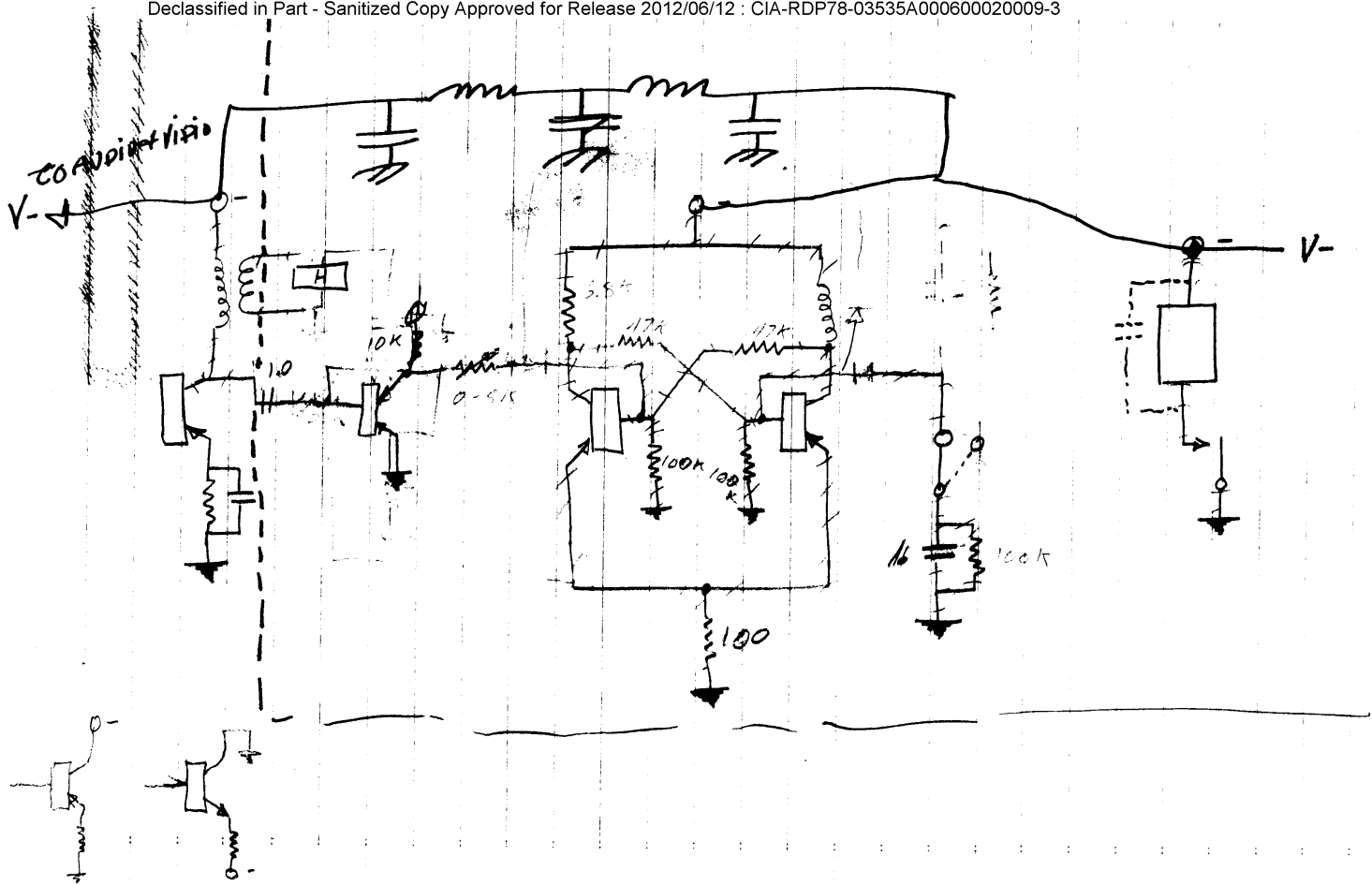
total - 15 weeks - 14 Sept
Today to
from date of decision

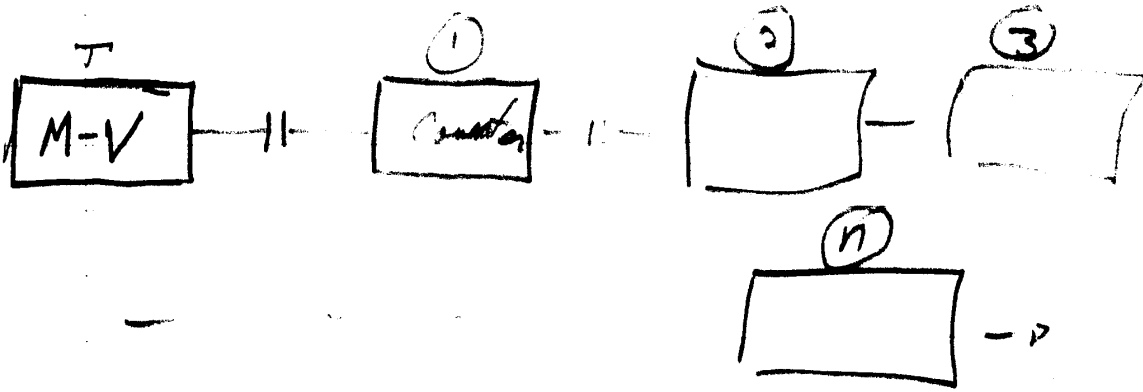
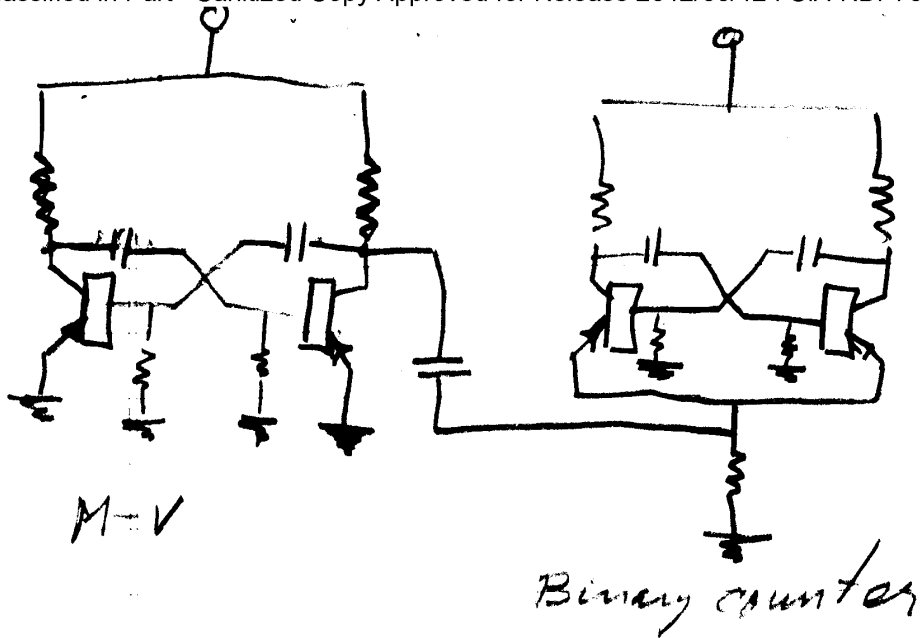
II If construction proceeds as previously considered it should be completed on schedule 2 (about the end of July).

III Referring to paragraph 2. of SP/EA 6-124 it should be noted that no appreciable noise is generated in the diode pulse stretcher.

Our video has sufficient bandwidth.

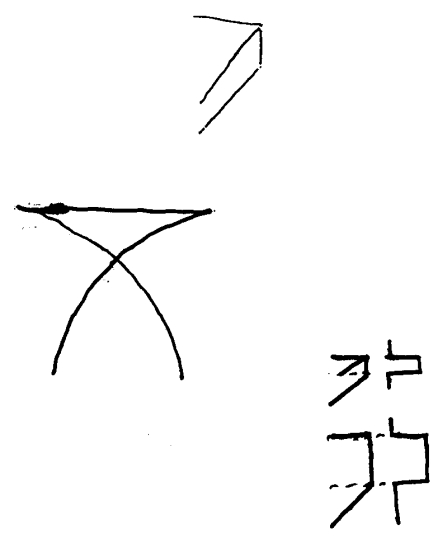


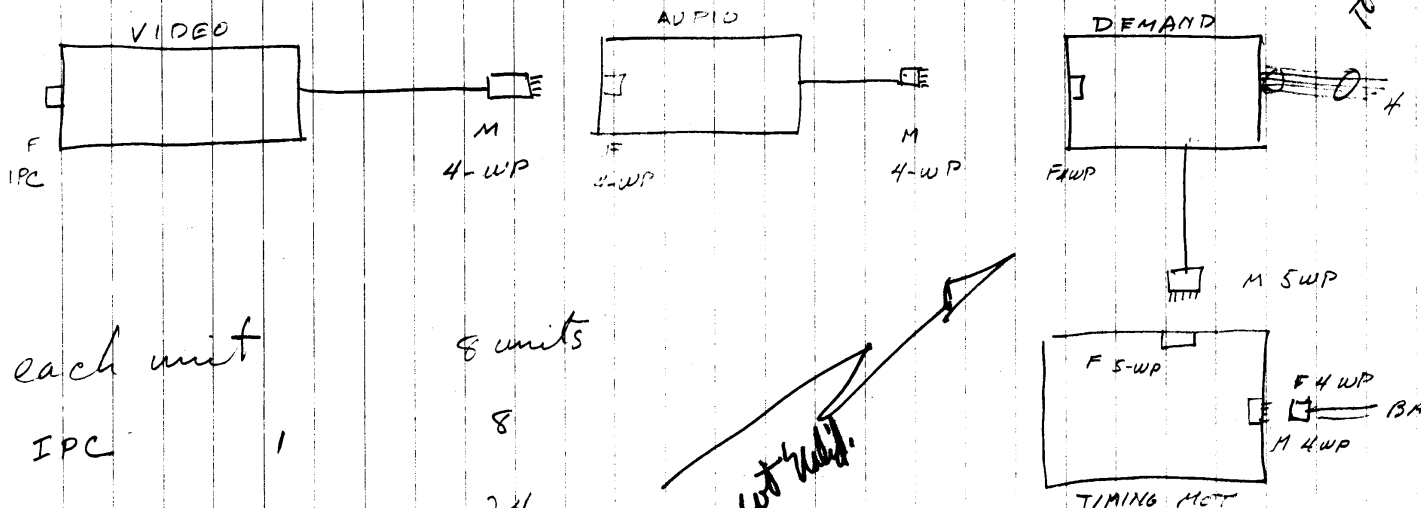




Time delay = $T \cdot 2^n$

n	2^n
1	2
2	4
3	8
4	16
5	32
6	64
7	128
8	256
9	512
10	1024
11	2048





each unit

8 units

F IPC	1
M 4WP	3
F 4WP	3
Hoods 4WP	6
M 5WP	1
F 5WP	1
Hood 5 WP	1

8
24
24
48
8
8
8

not used

