

Declassified in Part - Sanitized Copy Approved for Release
2014/05/29 : CIA-RDP78-03330A000700040001-5



STAT

Sample for PSD
use

Declassified in Part - Sanitized Copy Approved for Release
2014/05/29 : CIA-RDP78-03330A000700040001-5

PICTURES

- A. Battery Charger connected to battery
- B. Detail of charger mains plug
- C. Writer
- D. Tape cartridge, cover closed
- E. Tape cartridge, cover open
- F. Tape cartridge in place on writer
- G. Keyer
- H. Detail of Keyer
- I. Cartridge in place on keyer
- J. Complete system ready for insertion into pouch
- K. Complete system in pouch

LEGEND OF PICTURES

- 1. Transmitter Switch
- 2. Battery pack
- 3. Carrying pouch
- 4. Keyer
 - 41. Transmitter
 - 42. Safety pin
 - 43. IDY lever
 - 44. Motor button
 - 45. Erase button
 - 46. Drive gear
- 5. Tape cartridge
 - 51. Cartridge release button
 - 52. Cartridge drive gear

LEGEND OF PICTURES (Cont'd)

6. Writer
 61. Dial (may be letters and numbers)
 62. Space button
 63. Writer extension handle
 64. Writer drive gear
 65. Extension handle release.
7. Battery Charger
 71. Charger mains plug
 72. Web
 73. Pins
8. Leather insole

INSTRUCTIONS

A. BATTERY CHARGING

1. Charge battery as follows:

a. To fully charge battery, it should be placed on constant charge for 16 hours. The battery will not be damaged if it is left on charge for more than this length of time.

b. When fully charged, the battery can be used for six transmissions.

c. When two to four transmissions have been made with a fully charged battery, six hours of constant charge is necessary to return the battery to fully charged condition.

d. When a fully charged battery has not been used for one month, it loses some of its charge. When in this condition, it cannot be used for more than two transmissions. Ten hours of constant charge will restore the battery to fully charged condition.

e. Unless the battery has been fully charged within ten to fifteen days preceding use, it is recommended that the battery be given a sixteen hour continuous charge before being used.

2. To charge the battery, connect the battery pack (2) to the battery charger (7) (green plugs) and plug charger into the mains current supply. The mains must supply alternating current at any voltage between 70 and 240 volts. A small neon bulb in the charger glows when the charger is plugged into the mains socket. The mains plug furnished with the charger will fit almost any mains socket. Examine one of your own plugs to determine the correct pin shape, pin size and spacing between the pins. The pins (73) of the charger mains plug may be unscrewed and reversed if necessary to fit different sizes of round pin sockets. If your sockets are of the slit type, carefully bend back one side only of each of the smaller round pins until it breaks off. This will give you an approximately flat pin which will fit into the mains socket slits. The web (72) of the plug may be cut with a sharp knife if necessary to fit wide-spaced pin sockets.

3. After charging, disconnect the battery charger from the mains supply and disconnect the battery pack from the charger.

B. WRITING

1. After the message has been enciphered and separated into five-digit groups, you must write the enciphered message into the tape cartridge. Take the erased tape cartridge (5), open the cover, and snap it into place on the writer as shown in the illustration. The cartridge drive gear should mesh with the writer gear. Press the extension handle release lever and fold out the extension handle. Place the writer on a firm, level surface and steady it by placing the left hand on top of the tape cartridge. Do not exert excessive pressure on the tape cartridge.

2. Grasp the extension handle and pull it to the full downward position. Now, rotate the dial (61) until the letter E is opposite the white index mark. Raise the handle to the full upward position and pull it to the full downward position. Repeat this ten times, and then press the space button (62) twice.

3. You may now begin to write in the enciphered text of the message. With the right hand, rotate the dial until the first letter or number of enciphered text is opposite the index mark. Push the handle to the full upward position and pull it fully down. Release the handle and rotate the dial until the next letter or number of enciphered text is opposite the index mark. Again, raise the handle fully up and pull it fully down. Repeat this same operation for each digit of enciphered message text. Caution: Do not attempt to turn the dial unless the handle is in either the full up or full down position. After each five-digit group, press the space button once. Continue this procedure until the complete message has been written into the cartridge.

4. If you should make an error when writing into the cartridge, write eight letter E's, press the space button once, and then re-write the group in which the error was made and continue with the rest of the message.

5. When the message has been completely written, remove the cartridge by pressing the cartridge release button and lifting the cartridge off the writer. The cartridge will then automatically rewind. Caution: Do not remove the cartridge from the writer until the entire message has been written in. If the cartridge is accidentally removed before the message has been completed, you must erase the cartridge and rewrite the entire message from the beginning.

6. Your messages, when enciphered, may be of any length up to 115 five-digit groups. If a message is longer than 115 groups when enciphered, it must be broken into two messages.

C. ERASING

1. Erasing removes any previous message which had been written into the tape cartridge (5). You must always erase the tape cartridge before you write a message into it with the writer (6).

2. To erase a cartridge, follow these steps exactly:

a. If the lid is on the keyer, remove it by lifting the lid and sliding it sideways, off the hinge.

b. Connect the keyer (4) to the battery pack (2) (green plugs).

c. Check the motor button (44) to be sure that it is in the off position (away from the arrow). Fold out the keyer crank and wind the keyer until the small gear wheel begins to revolve.

d. Place the tape cartridge (5) in position on the keyer so that the yellow stripes coincide.

e. Push the erase button (45) in the direction of the arrow and, while holding the erase button in this position, push the motor button (44) in the direction of its arrow and hold it in this position. The tape is now being erased.

f. When the motor stops, the tape has been completely erased. Push the motor button (44) in the opposite direction from the arrow.

g. Remove the tape cartridge by pressing the cartridge release button (51) and lift the cartridge away from the keyer.

D. ASSEMBLING THE EQUIPMENT

1. Two leather insoles (8) are furnished. If necessary, the insoles may be trimmed slightly to fit the shoe comfortably. Place the insoles inside your shoes, with the smooth leather side up. Push the wire through your sock at the instep and run it upward inside the sock, bringing the end out at the top.

2. The transmitter (1) fits into the smaller compartment of the carrying pouch (3). The two white and two brown wires should be threaded through the hole in the bottom of the compartment before the transmitter is placed in the pouch. (See illustration).

Declassified in Part - Sanitized Copy Approved for Release
2014/05/29 : CIA-RDP78-03330A000700040001-5

3. Plug the blue plug of the short transmitter connecting cord into the blue socket on the battery pack (2). Turn the plug lock to the locked position and insert the battery pack into the larger pouch compartment. The green socket of the battery pack should be visible through the hole in the bottom of the compartment. Close the pouch and button the flaps.

4. Fasten the pouch around your waist under your shirt with the elastic belt. The pouch should be positioned on your right side. Arrange the antenna wires as follows: One white wire goes over each shoulder, and attached to your undershirt or to the elastic belt in the rear. One brown wire goes down each trouser leg, connecting with the wire from each insole. To make this connection, slide back the plastic cover from the small socket, insert the tip of the insole wire until it snaps into place, then slide the cover back into place.

5. Check the keyer (4) to be certain that the transmitter switch (41) and motor button (44) are in the off position and that the safety pin (42) is in place. Fold out the keyer crank, wind the keyer until the drive gear (46) rotates slightly, and fold the crank back into the closed position. Place the cartridge (5) containing the message to be transmitted into position on the keyer so that the yellow lines coincide (see illustration).

6. Make a small hole in the inside top lining of the right side trousers pocket. Place the keyer in this pocket and push the keyer cord through the hole in the pocket. Insert the green keyer plug into the green battery socket, through the hole provided in the bottom of the carrying pouch. Turn the plug lock to the locked position.

7. When you are fully dressed and have the keyer in the right side trousers pocket, no part of the equipment should be visible.

E. TRANSMITTING

Upon reaching the transmitting area, place your hand in your pocket and extract the safety pin (42) from the keyer. Press the IDY lever (43) in the direction of the arrow and hold it tightly in this position for 10 seconds. (When the IDY lever is pressed, the transmitter switch (41) is automatically turned ON.) After 10 seconds, release the IDY lever and immediately push the motor button (44) to ON. The message is now being transmitted. Keep your hand on the keyer to feel when the motor stops. When the motor stops, push the motor button (44) to the OFF position (away from the arrow) and turn the transmitter switch (41) to OFF (away from the arrow). Do not make more than one transmission from a given transmitting area.

F. ACKNOWLEDGEMENT OF MESSAGES

Receipt of your messages will be acknowledged by the base on its regular broadcast. If you have not received acknowledgement by the second broadcast schedule following your message transmissions, you should assume that the base did not receive your message and you should retransmit this same message again as soon as practicable. As soon as the Base acknowledges receipt of your message, you may erase the cartridge containing this message.

G. REMOVING THE EQUIPMENT

1. The equipment may be removed from the body in the reverse order from which it was assembled. The transmitter may be left in the carrying pouch if desired.

2. The plugs which connect the insoles to the brown antenna wires must be carefully disconnected. To do this, slide back the plastic cover from the connector and bend the connection gently, as if to break it at that point. The plug should separate easily from the socket. Do not attempt to separate this connection by pulling on the wires.

H. SELECTION OF TRANSMITTER SITE

1. Your radio signal will be heard best if you stand still with both feet on the ground and face directly toward the receiving antenna while transmitting.

2. The radio frequency on which you will transmit has some of the characteristics of light; the distance over which it may be transmitted depends upon the type and number of obstructions between your transmitter and the receiving station.

I. SECURITY

1. You must avoid any overt personal actions which would tend to compromise your activity.

a. Do not divulge the existence of your transmitter and cipher material to anyone.

b. Plan all your activities carefully beforehand and make sufficient preparation so that you are not interrupted, are not observed, are not missed, and are not hurried. Be prepared at all times with a logical sounding explanation of your activities in case you are unavoidably surprised by a friend or a member of your family.

c. Choose the hiding places for your material carefully. Select sufficient places for hiding so that not everything is in one spot. Group the equipment and materials which are used together for hiding in the same place.

d. Practice the manipulation and carrying of your equipment enough times before actually using it so that you are confident you can do it in a manner which will not call attention to you.

2. Aside from your personal security which is most important there is the factor of radio security.

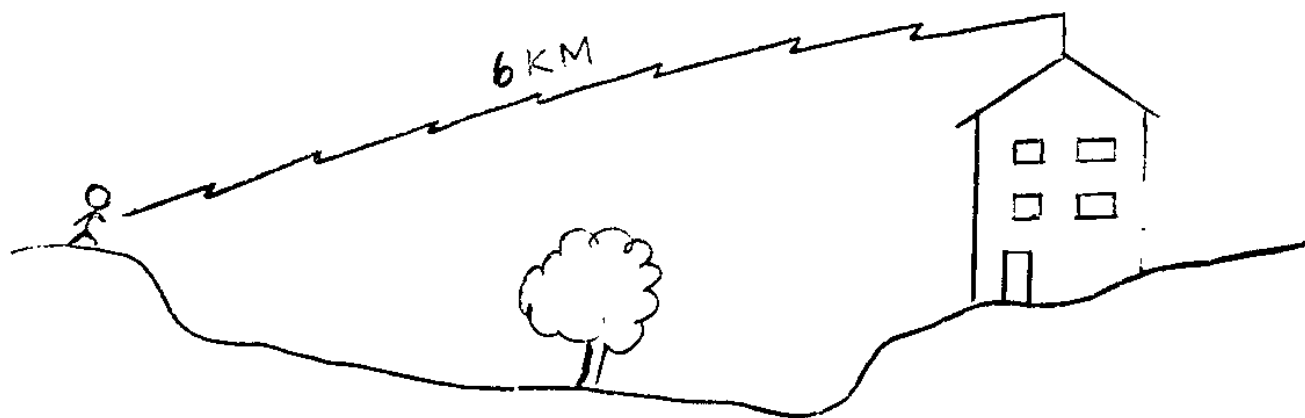
a. If possible, you should choose a different site for each transmission.

b. Do not make transmissions from the same site on two successive occasions.

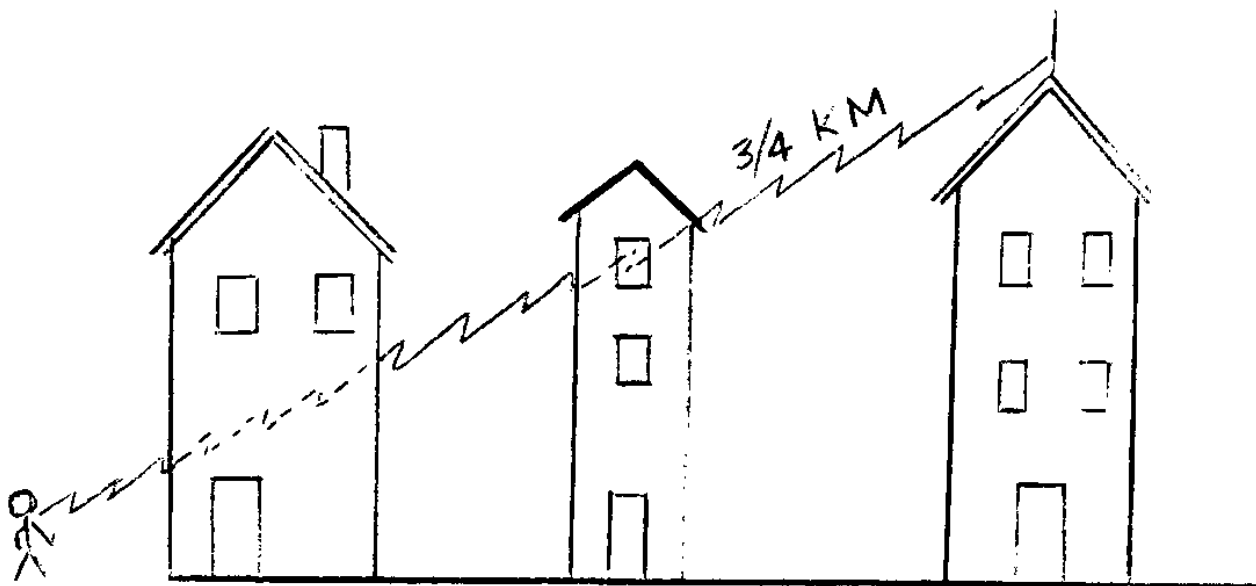
c. Avoid making transmissions in an area where there are no other people. Your best protection is to blend in with other people and their activities.

d. After making a transmission from a spot, move immediately but in a quiet manner away from the area. For example, if you make a transmission in an area where there are taxis or streetcars, you may leave the area by one of those means or by a brisk walk. If you have driven your car into an area where there is moderate traffic and have covered your exit from the car to make a transmission you should get back into the car and leave the area immediately after the transmission is completed.

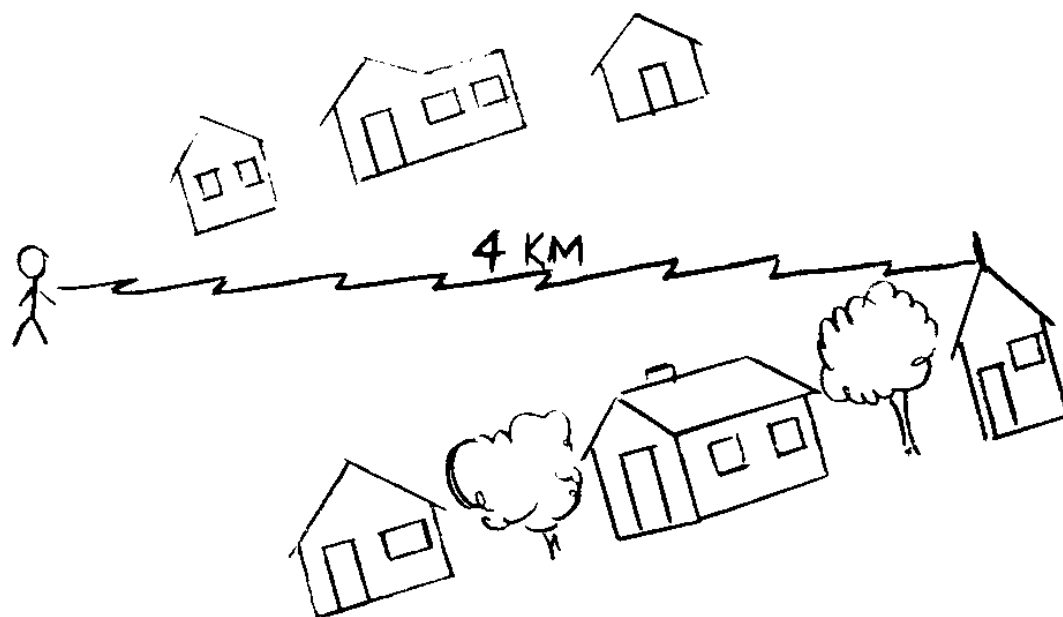
A. If there are no obstructions whatsoever between you and the receiving antenna, a maximum transmitting distance of 6 KM may be achieved.



B. If you transmit from an area containing houses or buildings which would obstruct the path of the radio waves, you must be within $3/4$ KM of the receiving antenna.



C. If you transmit from an area containing houses or buildings but are able to position yourself so that the radio waves are not obstructed by buildings, walls, metal fences, etc., transmission distances of 4 KM may be obtained.

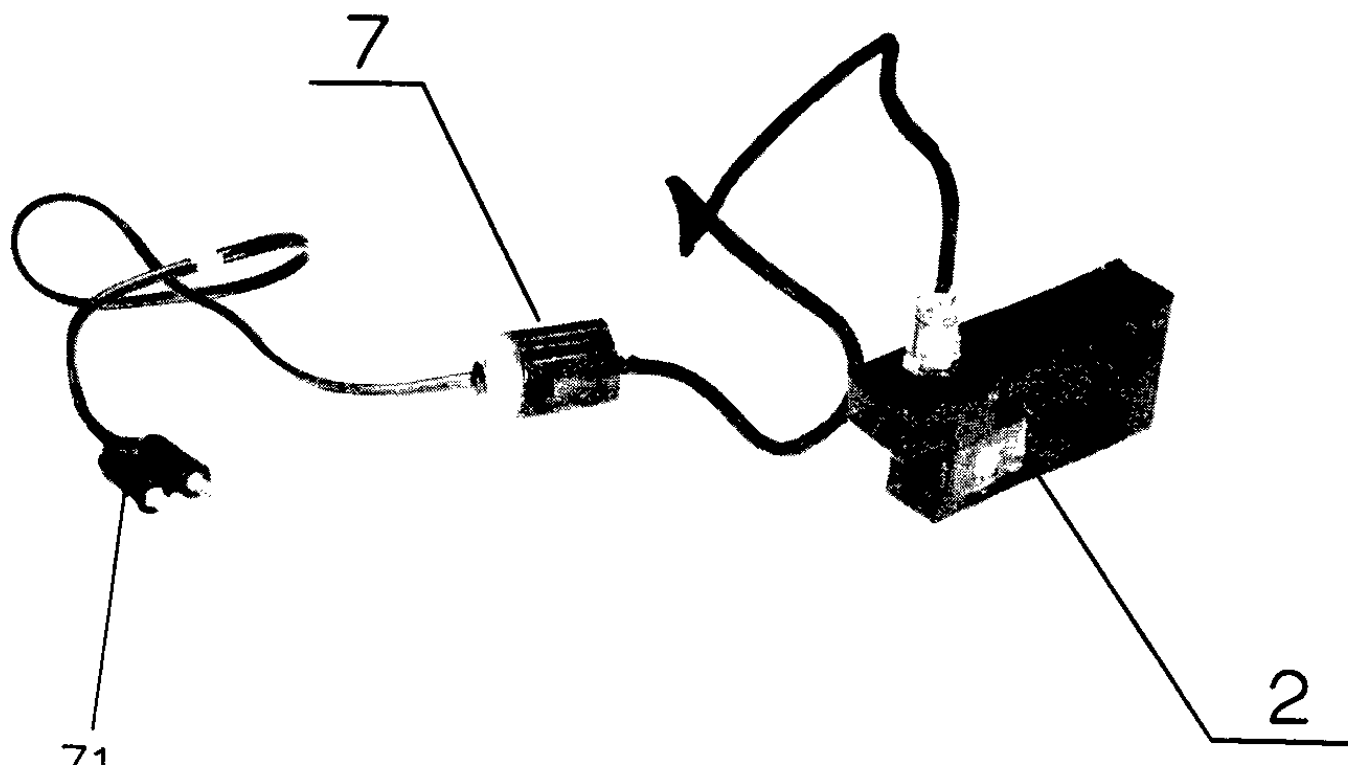


D. Scattered trees and bushes which might obscure the path between your transmitter and the receiving antenna will not affect the range of the signals.

E. Heavy growth of trees such as in a forest will affect the range of the radio signals and should be avoided or allowances made when calculating the effective range of your transmitter.

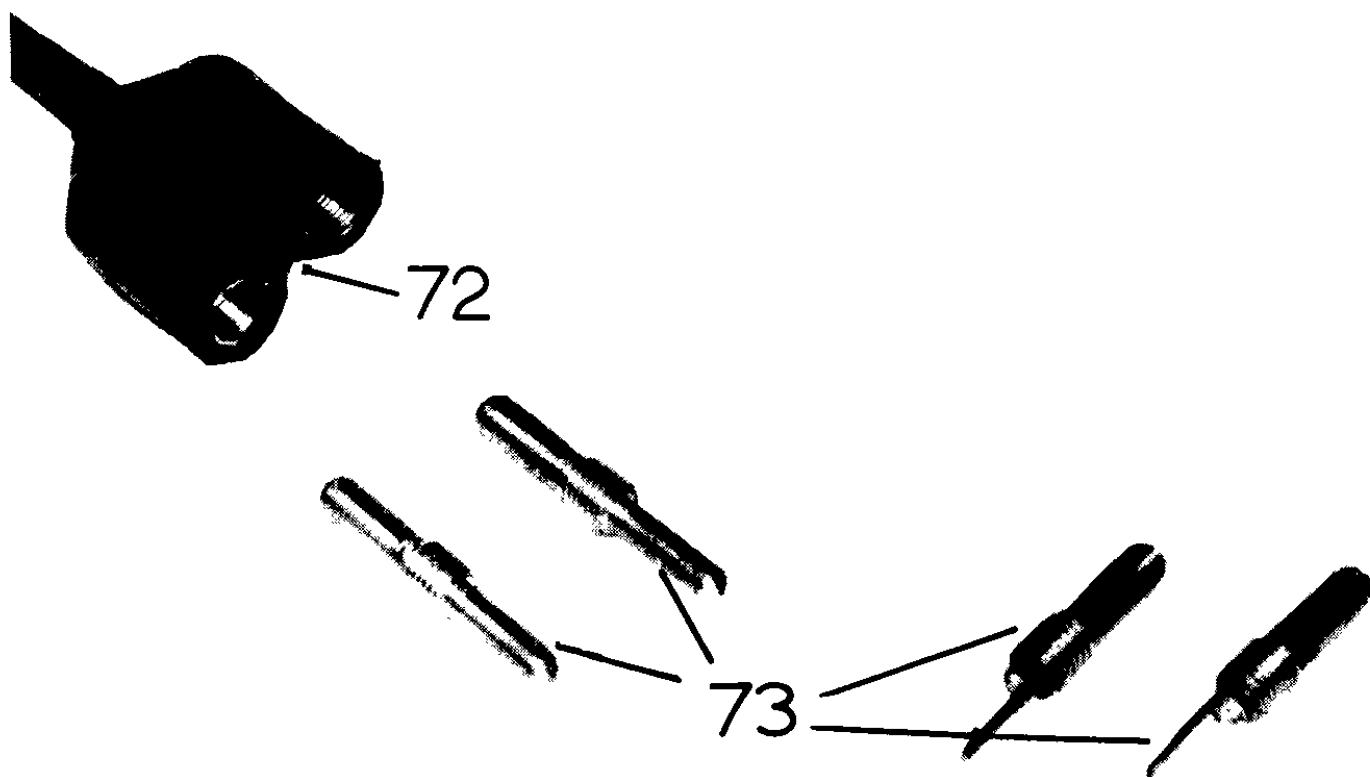
Declassified in Part - Sanitized Copy Approved for Release 2014/05/29 :
CIA-RDP78-03330A000700040001-5

A



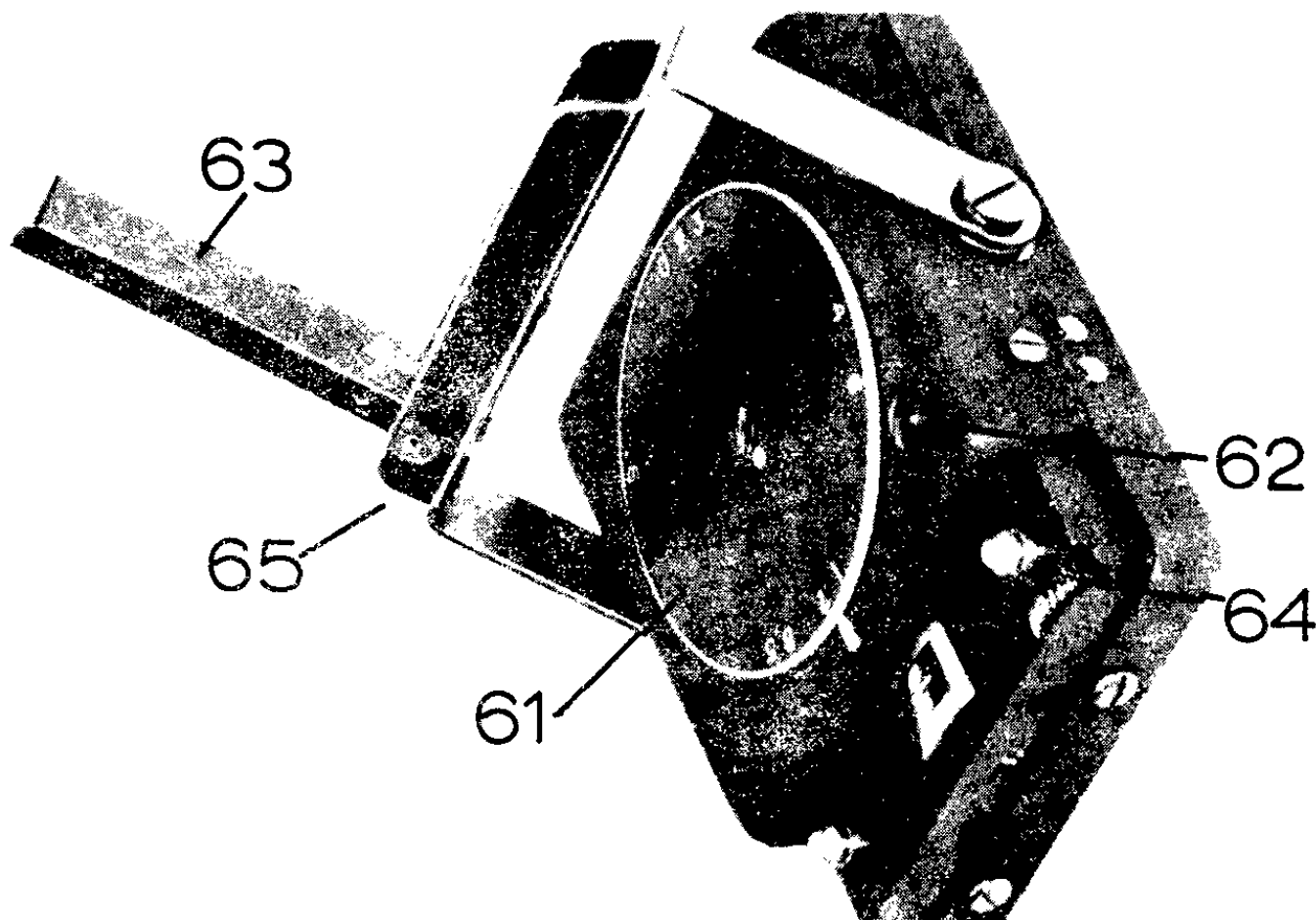
Declassified in Part - Sanitized Copy Approved for Release 2014/05/29 :
CIA-RDP78-03330A000700040001-5

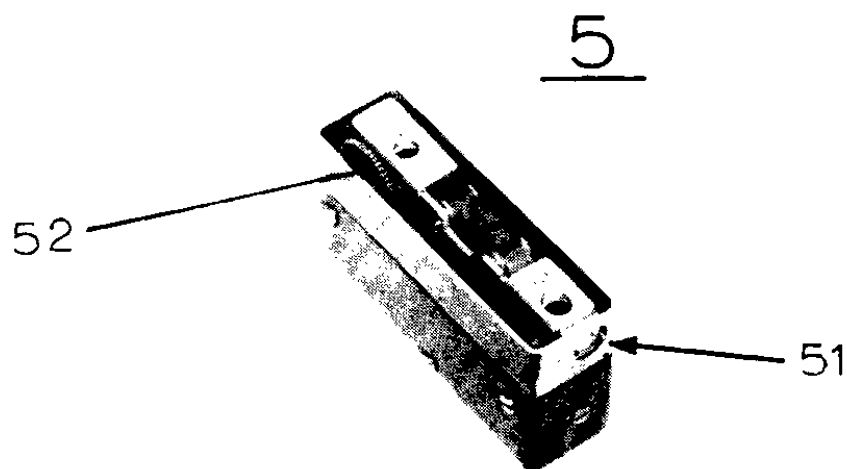
71



6

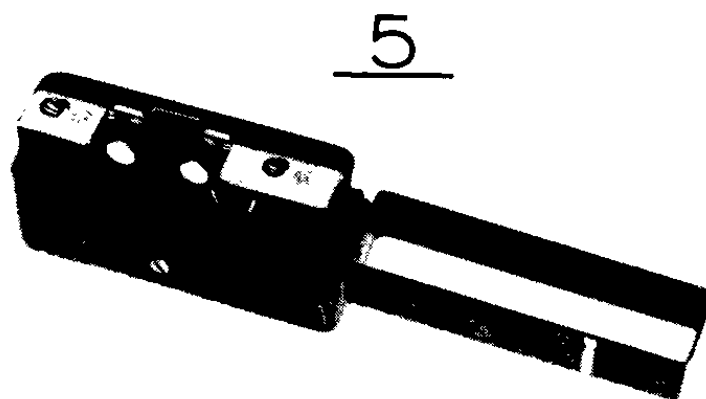
C





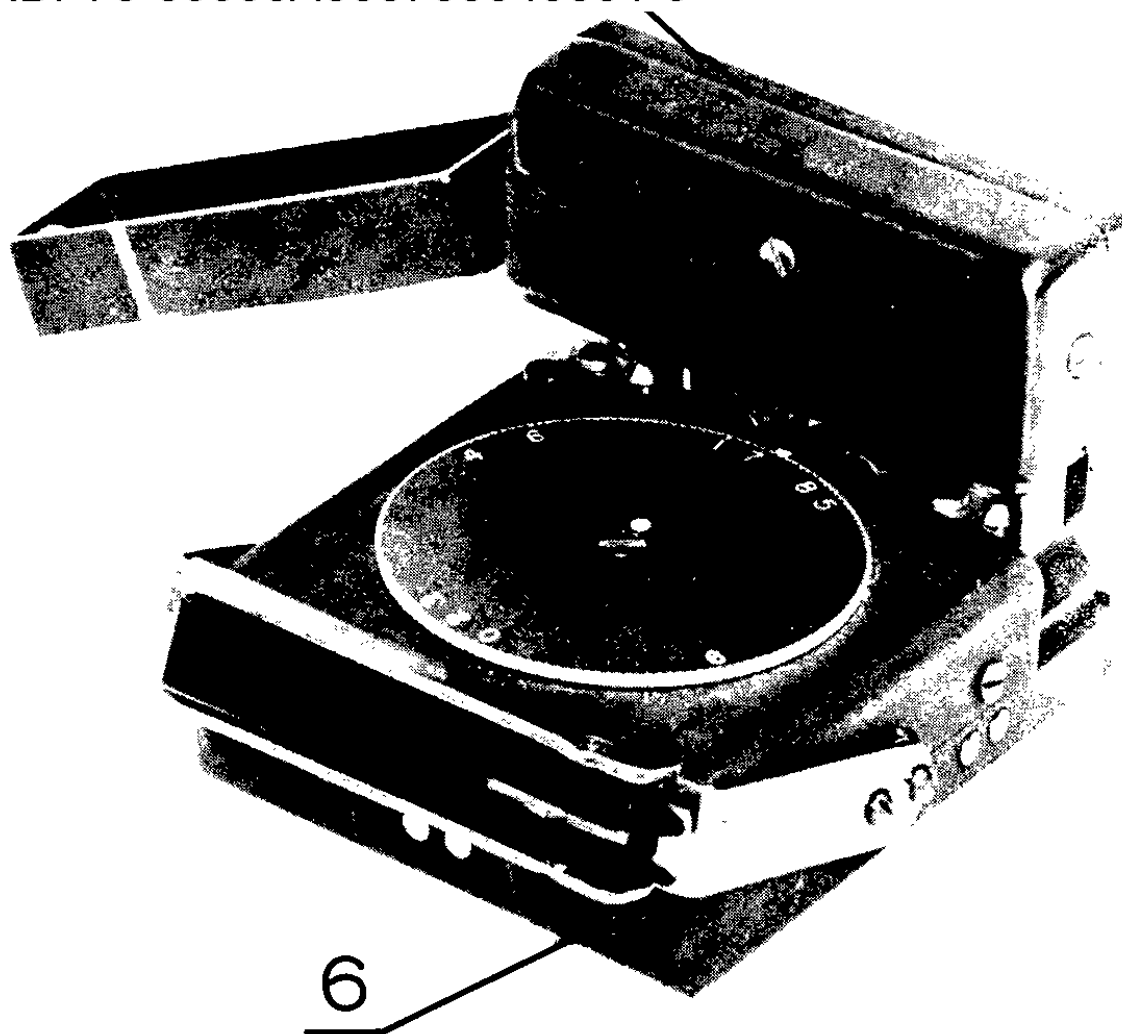
Declassified in Part - Sanitized Copy Approved for Release 2014/05/29 :
CIA-RDP78-03330A000700040001-5

E



Declassified in Part - Sanitized Copy Approved for Release 2014/05/29 :
CIA-RDP78-03330A000700040001-5

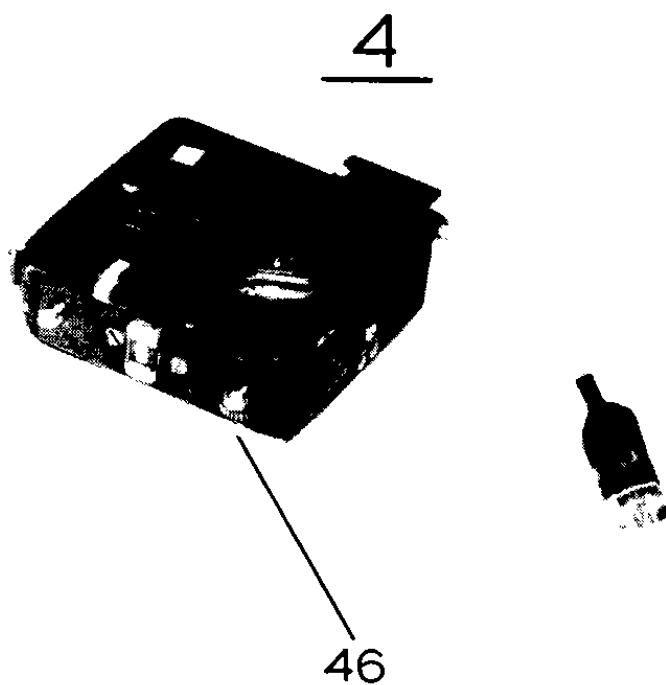
Declassified in Part - Sanitized Copy Approved for Release 2014/05/29 :
CIA-RDP78-03330A000700040001-5



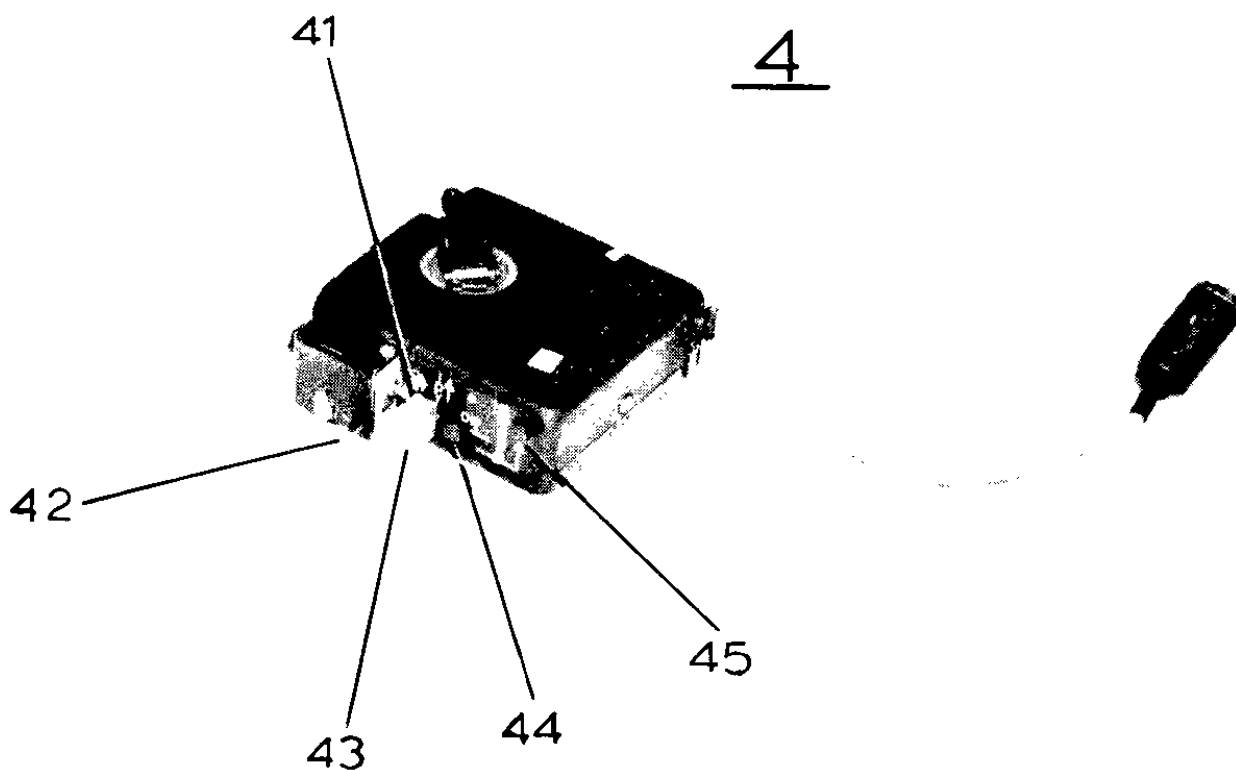
Declassified in Part - Sanitized Copy Approved for Release 2014/05/29 :
CIA-RDP78-03330A000700040001-5

Declassified in Part - Sanitized Copy Approved for Release 2014/05/29 :
CIA-RDP78-03330A000700040001-5

G

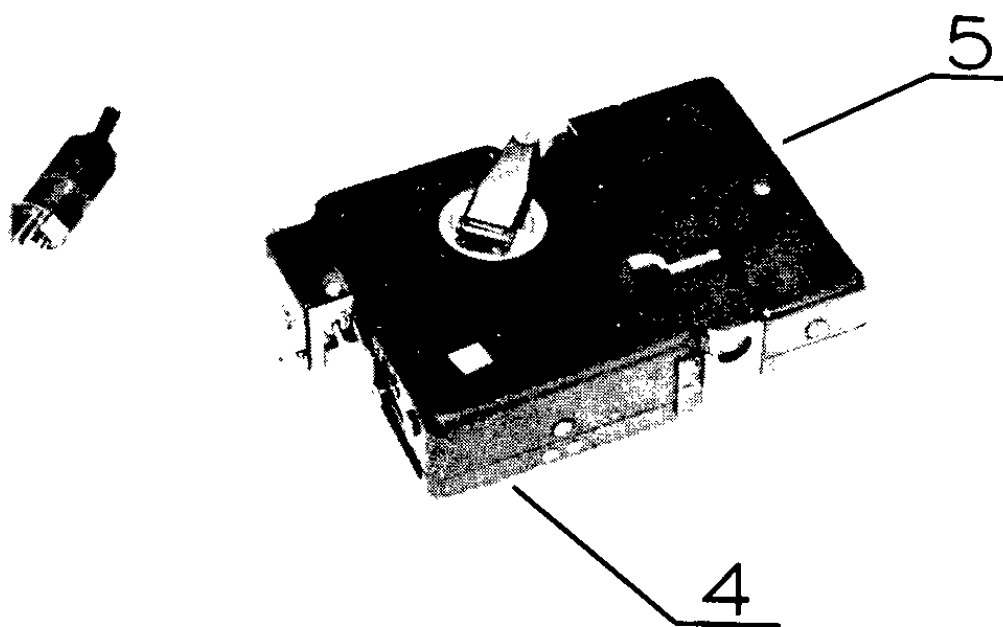


Declassified in Part - Sanitized Copy Approved for Release 2014/05/29 :
CIA-RDP78-03330A000700040001-5



Declassified in Part - Sanitized Copy Approved for Release 2014/05/29 :
CIA-RDP78-03330A000700040001-5

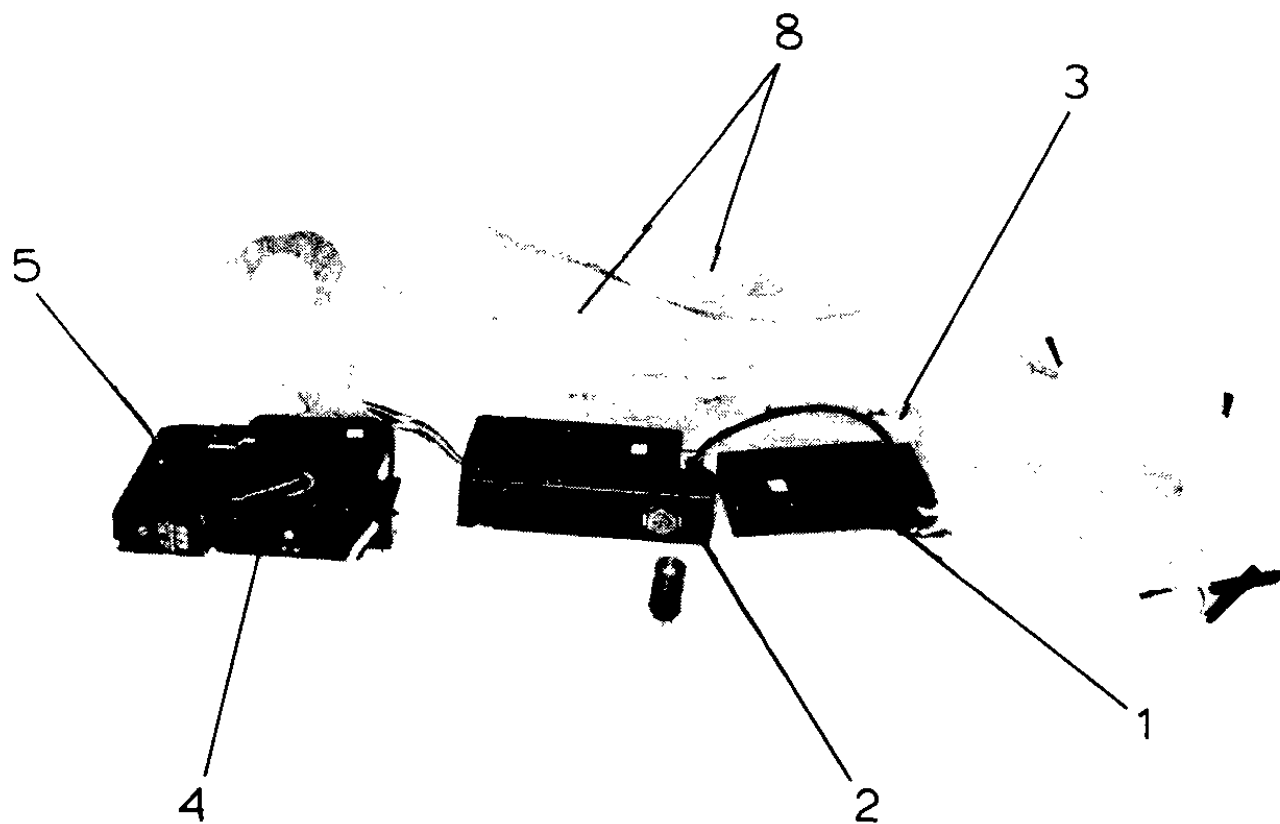
1



Declassified in Part - Sanitized Copy Approved for Release 2014/05/29 :
CIA-RDP78-03330A000700040001-5

Declassified in Part - Sanitized Copy Approved for Release 2014/05/29 :
CIA-RDP78-03330A000700040001-5

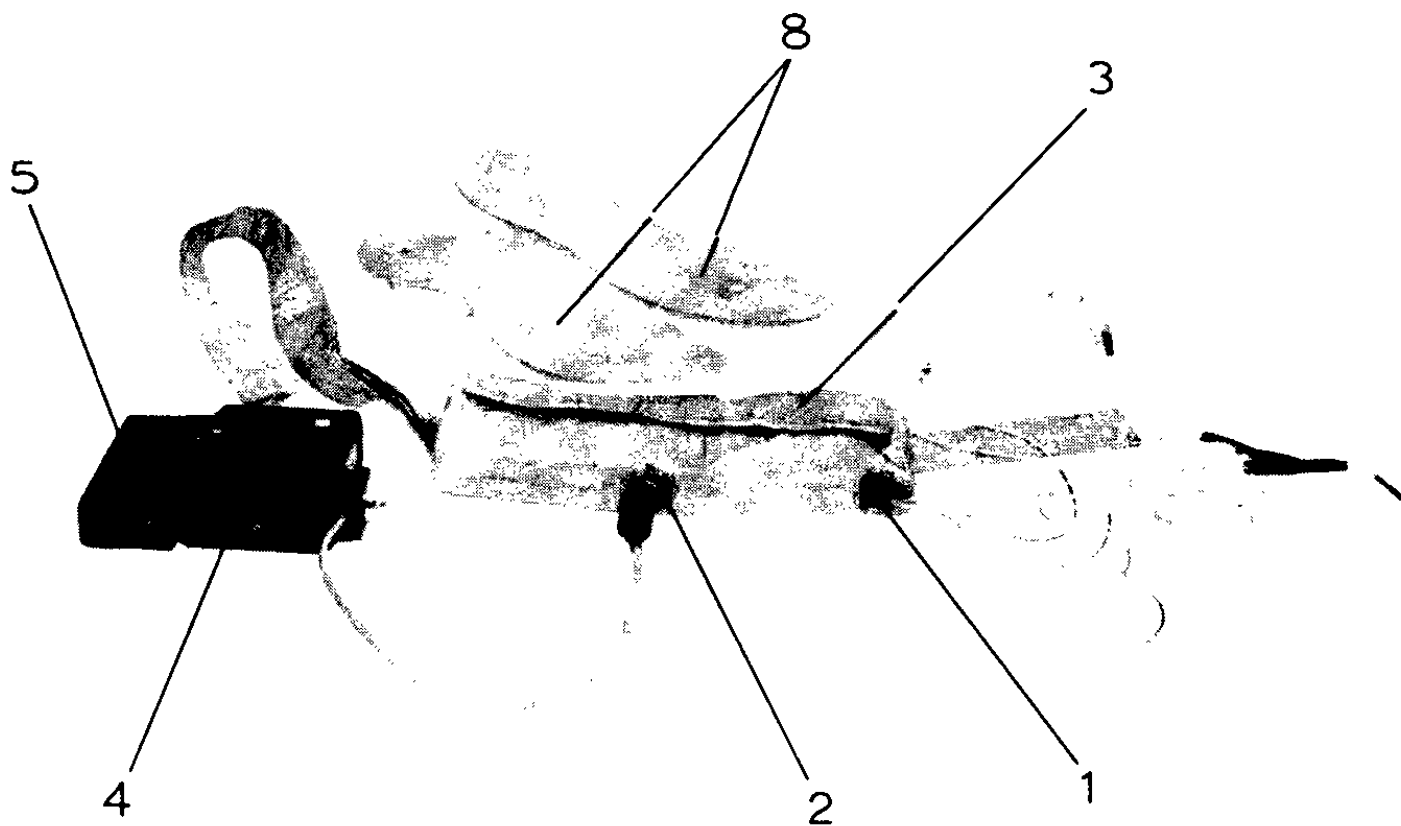
J



Declassified in Part - Sanitized Copy Approved for Release 2014/05/29 :
CIA-RDP78-03330A000700040001-5

Declassified in Part - Sanitized Copy Approved for Release 2014/05/29 :
CIA-RDP78-03330A000700040001-5

K



Declassified in Part - Sanitized Copy Approved for Release 2014/05/29 :
CIA-RDP78-03330A000700040001-5