

CONFIDENTIAL  
NAVSHIPS 93154(A)

Declassified and Approved For Release 2013/08/01 : CIA-RDP67B00341R000800140001-7  
CONFIDENTIAL  
NAVSHIPS 93154(A)

CONFIDENTIAL  
NAVSHIPS 93154(A)

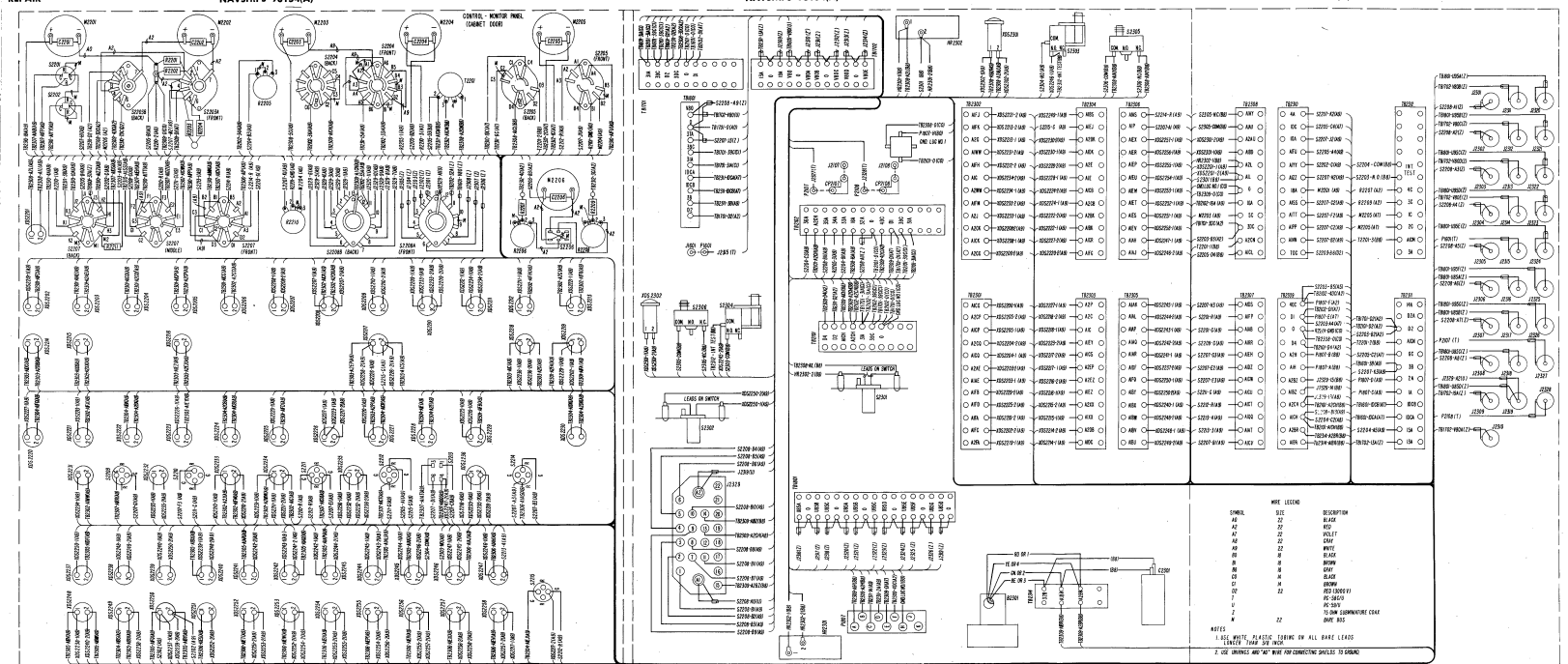


Figure 6-52. Electrical Equipment Cabinet CY-2400/SPS-29 and Control-Indicator C-2476/SPS-29, Wiring Diagram

CONFIDENTIAL

CONFIDENTIAL

CONFIDENTIAL

Ref. No.	Location	Ref. No.	Location	Ref. No.	Location	Ref. No.	Location
440	100	440	100	440	100	440	100
441	100	441	100	441	100	441	100
442	100	442	100	442	100	442	100
443	100	443	100	443	100	443	100
444	100	444	100	444	100	444	100
445	100	445	100	445	100	445	100
446	100	446	100	446	100	446	100
447	100	447	100	447	100	447	100
448	100	448	100	448	100	448	100
449	100	449	100	449	100	449	100
450	100	450	100	450	100	450	100
451	100	451	100	451	100	451	100
452	100	452	100	452	100	452	100
453	100	453	100	453	100	453	100
454	100	454	100	454	100	454	100
455	100	455	100	455	100	455	100
456	100	456	100	456	100	456	100
457	100	457	100	457	100	457	100
458	100	458	100	458	100	458	100
459	100	459	100	459	100	459	100
460	100	460	100	460	100	460	100
461	100	461	100	461	100	461	100
462	100	462	100	462	100	462	100
463	100	463	100	463	100	463	100
464	100	464	100	464	100	464	100
465	100	465	100	465	100	465	100
466	100	466	100	466	100	466	100
467	100	467	100	467	100	467	100
468	100	468	100	468	100	468	100
469	100	469	100	469	100	469	100
470	100	470	100	470	100	470	100
471	100	471	100	471	100	471	100
472	100	472	100	472	100	472	100
473	100	473	100	473	100	473	100
474	100	474	100	474	100	474	100
475	100	475	100	475	100	475	100
476	100	476	100	476	100	476	100
477	100	477	100	477	100	477	100
478	100	478	100	478	100	478	100
479	100	479	100	479	100	479	100
480	100	480	100	480	100	480	100
481	100	481	100	481	100	481	100
482	100	482	100	482	100	482	100
483	100	483	100	483	100	483	100
484	100	484	100	484	100	484	100
485	100	485	100	485	100	485	100
486	100	486	100	486	100	486	100
487	100	487	100	487	100	487	100
488	100	488	100	488	100	488	100
489	100	489	100	489	100	489	100
490	100	490	100	490	100	490	100
491	100	491	100	491	100	491	100
492	100	492	100	492	100	492	100
493	100	493	100	493	100	493	100
494	100	494	100	494	100	494	100
495	100	495	100	495	100	495	100
496	100	496	100	496	100	496	100
497	100	497	100	497	100	497	100
498	100	498	100	498	100	498	100
499	100	499	100	499	100	499	100
500	100	500	100	500	100	500	100

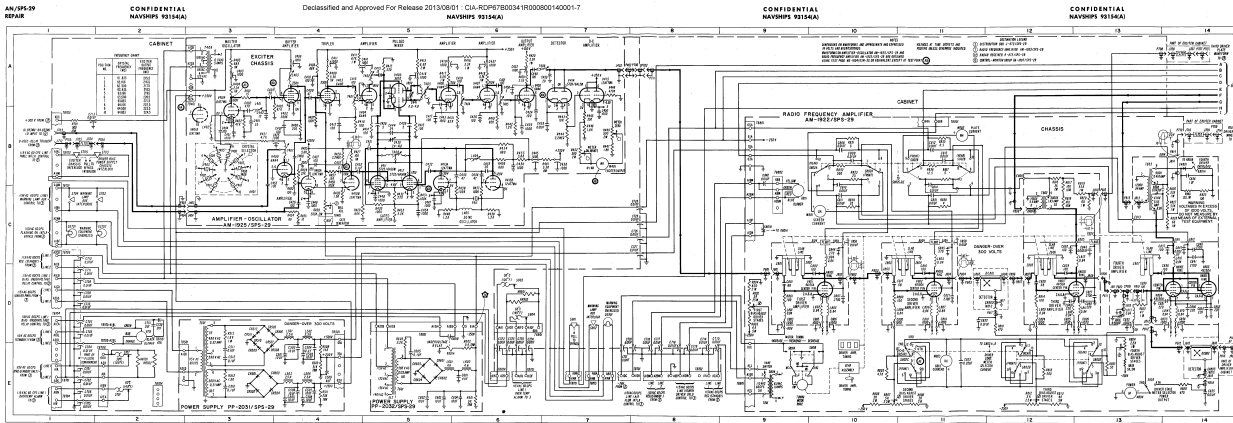


Figure 4-53. Transmitter Group GA-1864/SPS-29, Schematic Diagram (Sheet 1 of 2)

CONFIDENTIAL  
NAVSHIPS 93154(A)

Declassified and Approved For Release 2013/08/01 : CIA-RDP67B00341R000800140001-7

AN/SPS-29  
REPAIR

CONFIDENTIAL  
NAVSHIPS 93154(A)

CONFIDENTIAL  
NAVSHIPS 93154(A)

Figure  
6-53

Ref. Design	Location	Ref. Design	Location	Ref. Design	Location	Ref. Design	Location
A1002	20D	FL1117	21C	P1105	15B	R4907	19E
B1101	16C	FL1118	15E	P1106	15D	R4908	19B
C1001	17C	FL1119	21B	P1107	21E	R4908	19E
C1002	17B	FL1120	21E	P1108	21B	R4909	19B
C1003	17A	FL1121	15D	P1109	16B	R4909	19E
C1004	18A	FL1122	15A	P1110	15D	R4910	19A
C1005	18B	FL1123	15A	P1111	21E	R4910	19D
C1006	18C	HR1101	16D	P1112	21B	R4911	19A
C1007	19C	HR1102	16D	P4901	19A	R4911	19D
C1008	19B	J1001	20A	P4901H	20B	R4912	19E
C1009	19B	J1002	20A	P4901I	20E	R4912	19E
C1010	17A	J1003	18A	P4901H	20E	S1001A	17A
C1011	18A	J1003H	20B	R1001	20B	S1001B	18A
C1012	17B	J1004	18D	R1002	20B	S1101	16C
C1013	17B	J1004H	20E	R1004	20E	S1102	16B
C1101	15A	J1103	15A	R1005	20E	S1103	15B
C1102	15A	J1104	15A	R1007	20C	S1104	16D
C1103	15B	J1105	15B	R1008	20D	T1001	20D
C1104	15A	J1106	15D	R1009	18C	T1002	19B
C1105	16C	J1109	21E	R1010	17D	T1003	20C
C4901	19E	J1108	21B	R1011	17B	T1004	16D
C4902	19D	J1109	16D	R1012	17B	T1005	17C
C4902	19A	J1110	15D	R1013	17B	T1006	16B
C4903	19B	J1111	21E	R1014	17C	T1007	19D
C4903	19B	J1112	21B	R1015	17A	T1008	16D
C4904	19E	J1114	15B	R1016	17B	T1009	16E
C4904	19A	J1115	15D	R1017	18B	T4901	19D
C4905	19D	J1116	21E	R1018	18C	T4901	19D
C4905	20D	J1117	21B	R1019	20D	T4902	20B
CR1001	17C	J4901	19A	R1020	20C	T4902	20B
CR1002	17B	J4902	20E	R1021	17A	TP4901	19E
CR1003	17B	J4903	19B	R1022	17A	TP4902	20B
CR1004	17B	K1001A	17D	R1023	16A	TP4902	20B
CR1005	17B	K1001B	20B	R1025	16A	V1001	19C
CR1006	17B	L1001	19B	R1026	17A	V1002	20B
DS1101	13C	K1002B	20C	R1027	17A	V1003	20A
FL1101	15D	L1002	20B	R1028	17A	V1004	20B
FL1102	15D	L1003	20B	R1029	17A	V1005	19D
FL1103	15C	L1004	20B	R1030	17A	V1006	20B
FL1104	15C	L1005	19C	R4901	19E	V1008	18C
FL1105	15C	L1006	20B	R4902	19B	V1009	17C
FL1106	15C	L1007	18C	R4903	19E	V1010	17D
FL1107	15E	L1008	20D	R4903	19A	V1011	17C
FL1109	15D	L1009	17B	R4903	19A	V4901A	19E
FL1110	15D	M1001	18A	R4904	19D	V4901A	19E
FL1111	15B	M1002	18C	R4904	19D	V4901B	19B
FL1112	15B	M1003	19A	R4905	19B	V4901B	19B
FL1113	15E	P1101	20A	R4905	19B	V4902	20B
FL1114	15E	P1102	20A	R4906	19B	V4902	20E
FL1115	21C	P1103	15A	R4906	19B	Z1001	20A
FL1116	21B	P1104	15A	R4907	19B	Z1002	20D

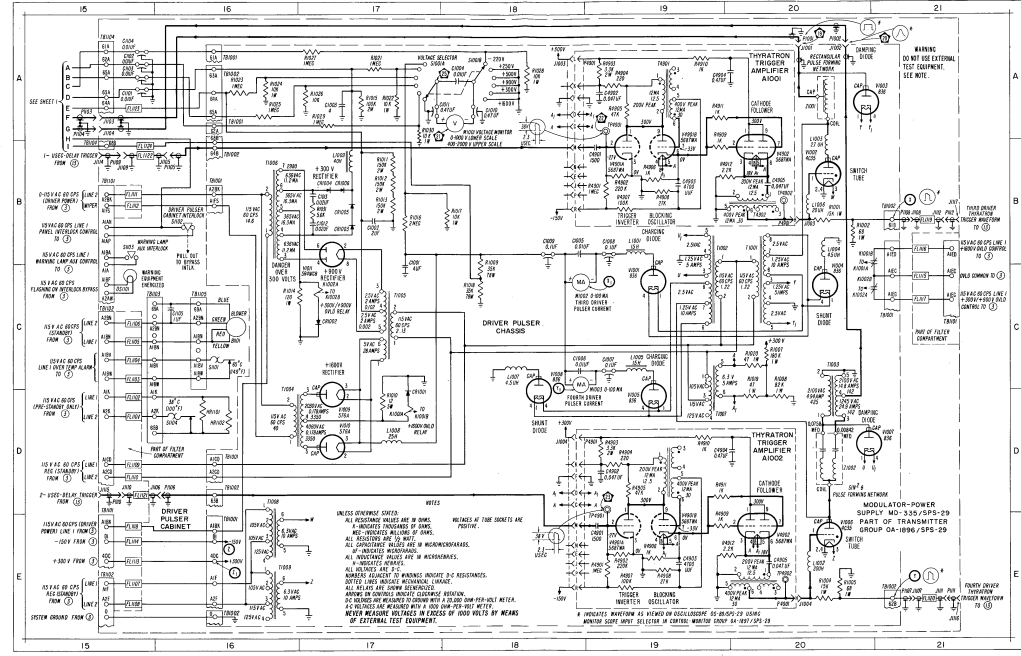


Figure 6-53. Transmitter Group OA-1896/SPS-29, Schematic Diagram (Sheet 2 of 2)

CONFIDENTIAL

ORIGINAL

CONFIDENTIAL

CONFIDENTIAL

6-11

Declassified and Approved For Release 2013/08/01 : CIA-RDP67B00341R000800140001-7

Changes

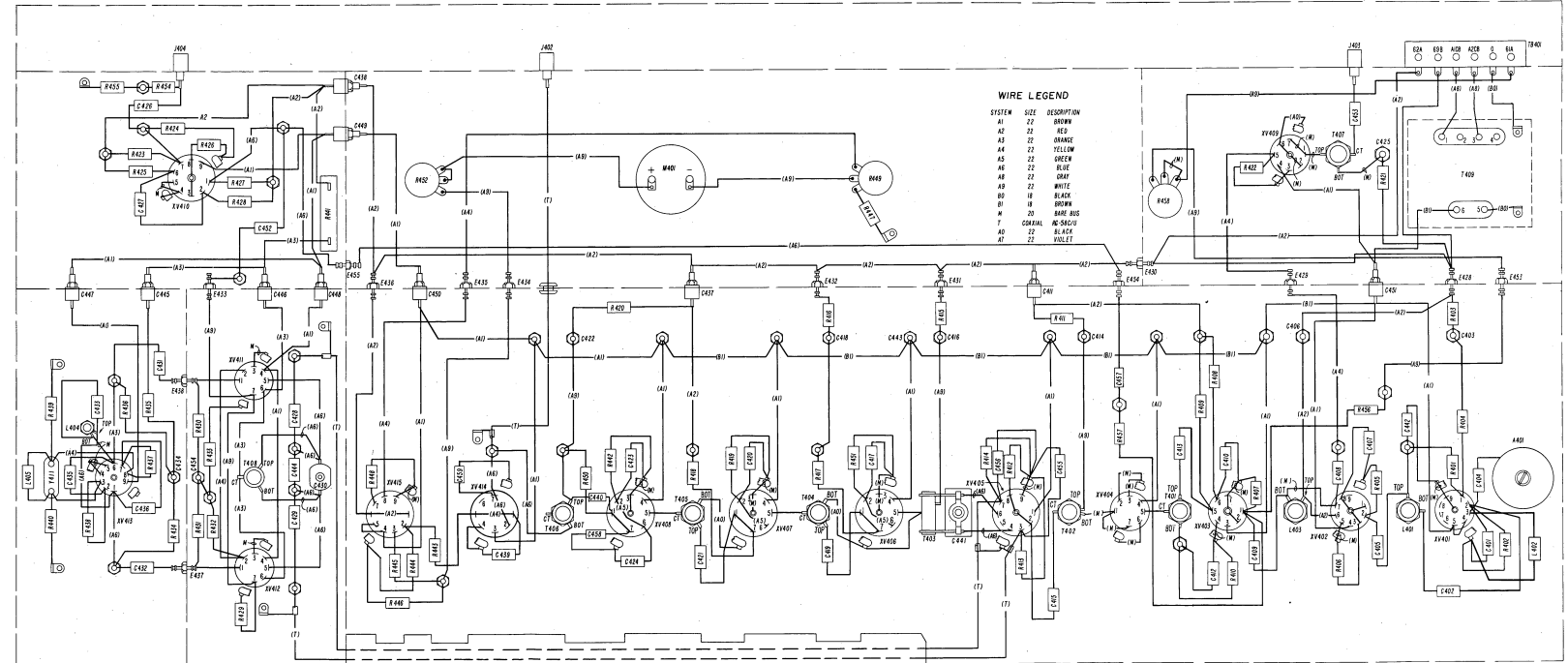


Figure 6-54. Amplifier-Oscillator AM-1925/SP5-29, Exciter Chassis, Wiring Diagram

AN/SPS-29  
REPAIR

**CONFIDENTIAL**  
NAVSHIPS 93154(A)

**CONFIDENTIAL**  
NAVSHIPS 93154(A)

Figure  
6-55

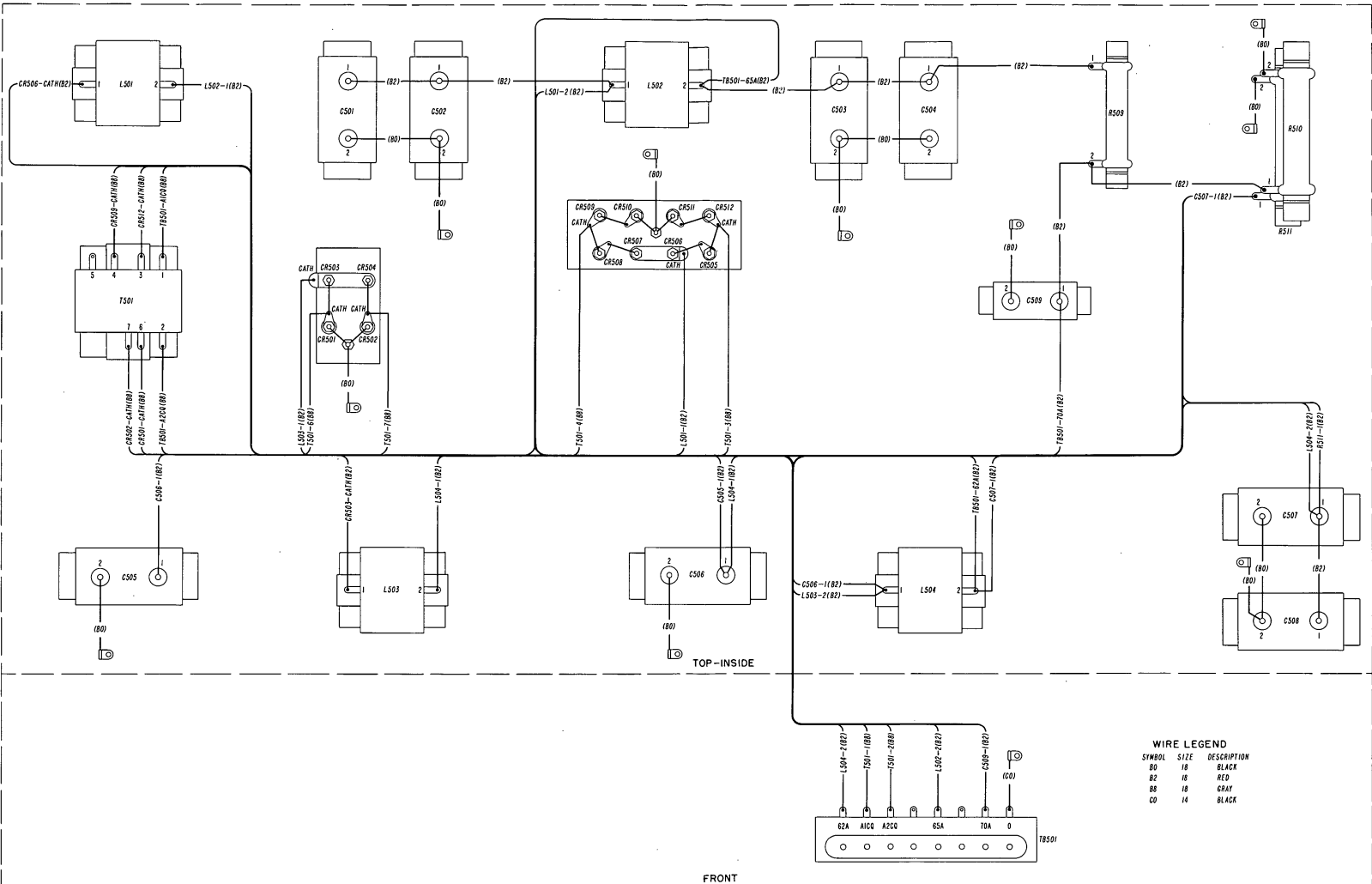


Figure 6-55. Power Supply PP-2031/SPS-29, Wiring Diagram

ORIGINAL

**CONFIDENTIAL**

**CONFIDENTIAL**

6-115

6-116

AN/SPS-29  
REPAIR

**CONFIDENTIAL**  
NAVSHIPS 93154(A)

**Figure**  
**6-56**

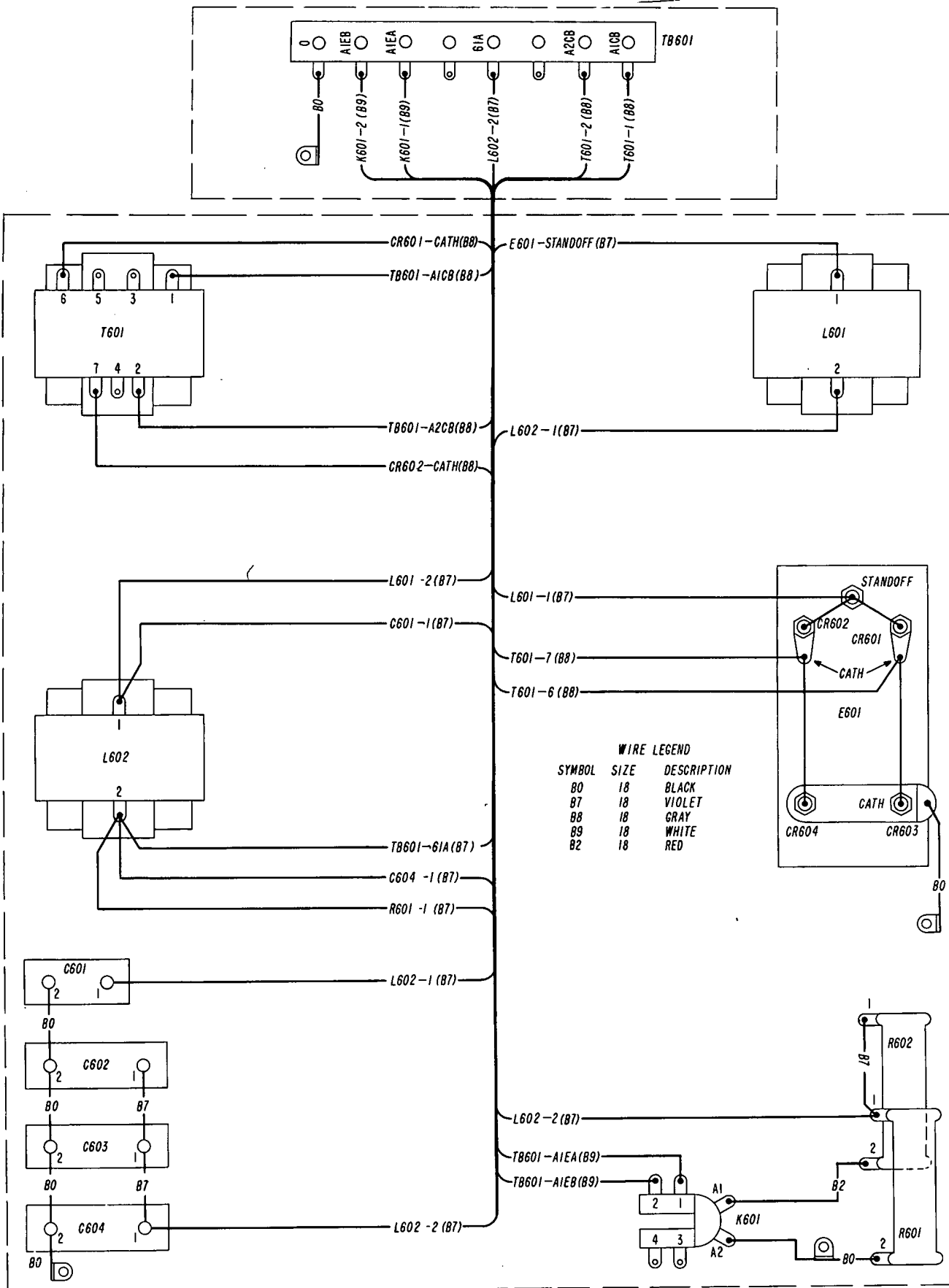


Figure 6-56. Power Supply PP-2032/SPS-29, Wiring Diagram

ORIGINAL

**CONFIDENTIAL**

6-117  
6-118

REPAIR  
AN/SP5-29

CONFIDENTIAL  
NAVSHIPS 93154(A)

CONFIDENTIAL  
NAVSHIPS 93154(A)

Figure  
6-57

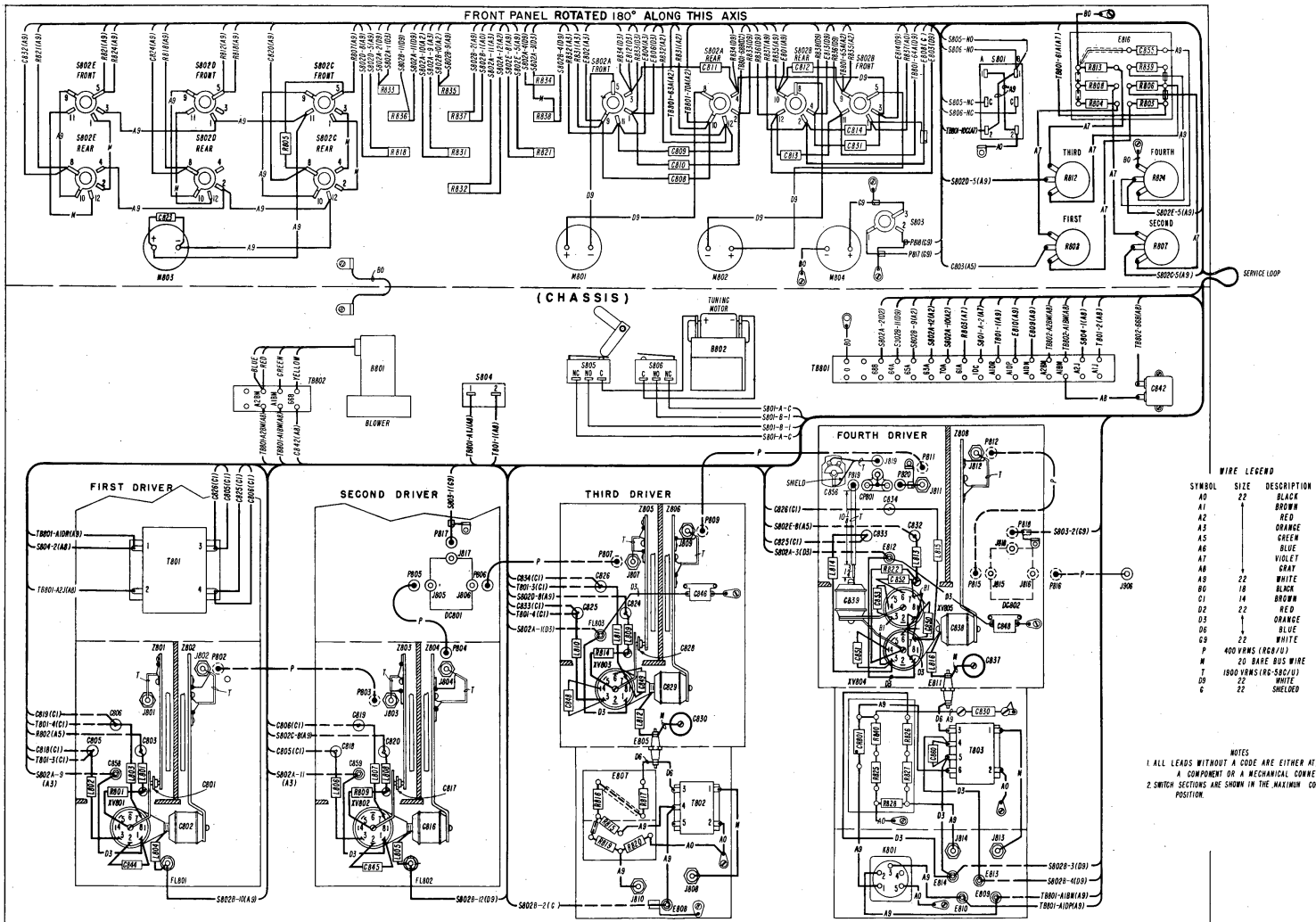


Figure 6-57. Radio Frequency Amplifier AM-1922/SP5-29, Drive Amplifier Chassis, Wiring Diagram

ORIGINAL

CONFIDENTIAL

CONFIDENTIAL

6-119  
6-120

AN/SPS-29  
REPAIR

CONFIDENTIAL  
NAVSHIPS 93154(A)

CONFIDENTIAL  
NAVSHIPS 93154(A)

Figure  
6-58

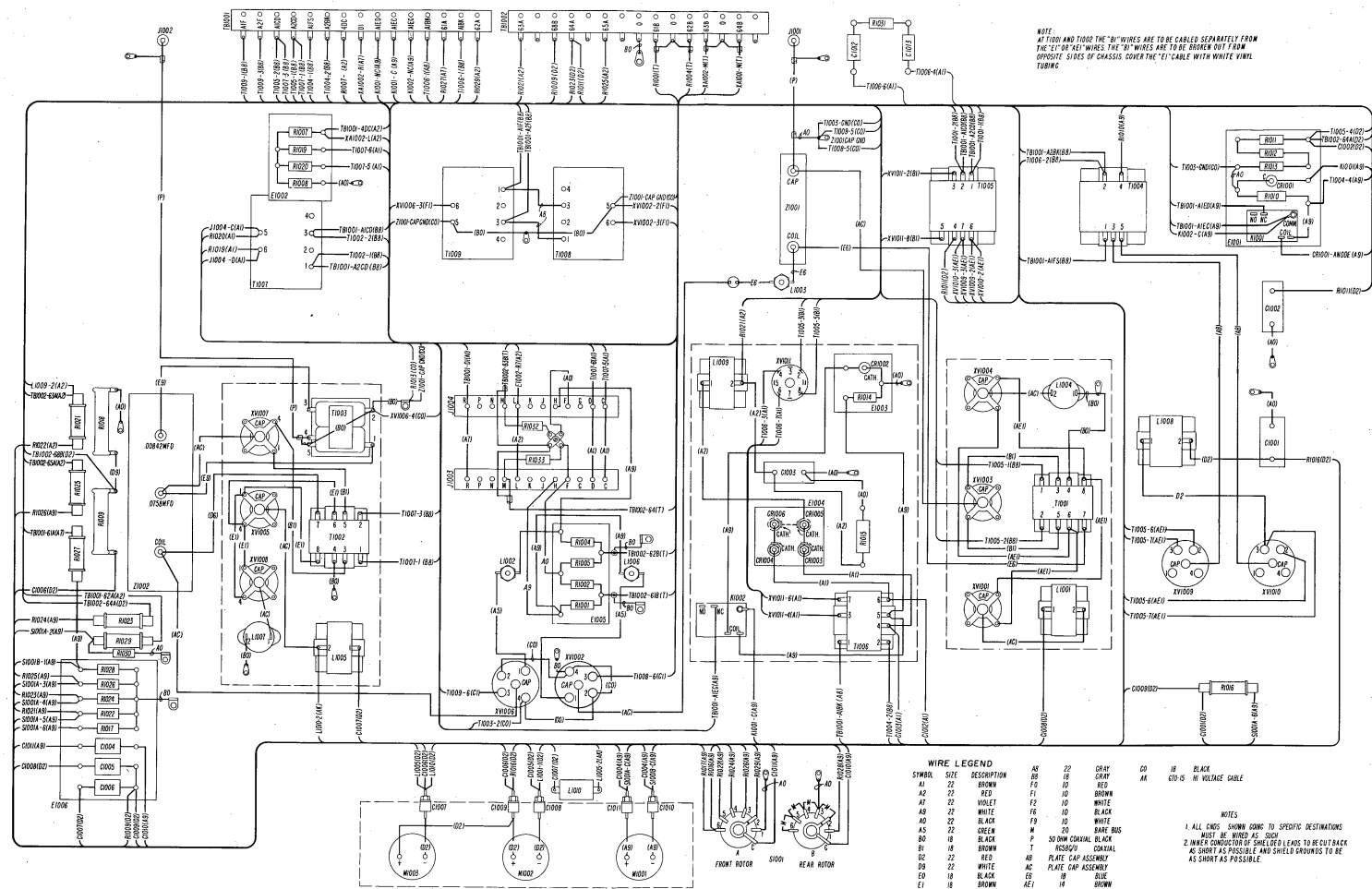


Figure 6-58. Modulator-Power Supply MD-335/SPS-29, Driver Pulser Chassis, Wiring Diagram

ORIGINAL

CONFIDENTIAL

CONFIDENTIAL

6-121  
6-122



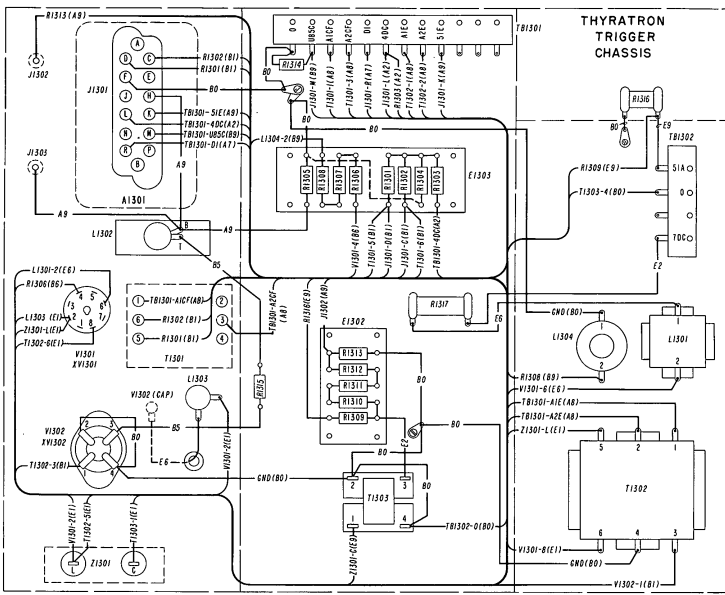


CONFIDENTIAL  
NAVSHIPS 93154(A)

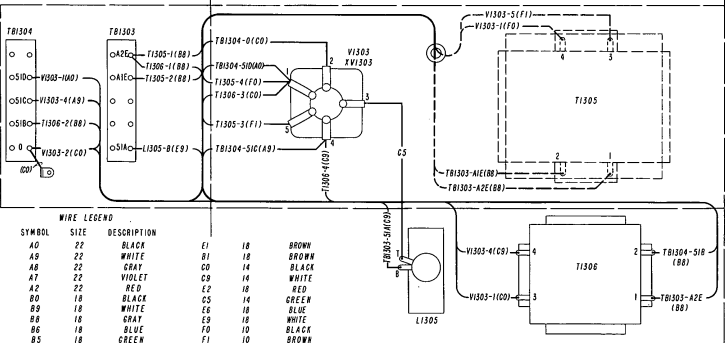
Ref. Desig.	Location	Ref. Desig.	Location	Ref. Desig.	Location
FL1001	5A	F21454	10C	R9001	4E
R1401	1D	F21455	10C	R1008	3B
C1402	2A	F21456	10B	R1202	4E
C1403	2A	F21457	10B	R1009	3E
C1404	2A	F21458	10B	R1203	4E
C1405	2A	F21459	10B	R1010	3E
C1406	2A	F21460	10B	R1204	4E
C1407	2A	F21461	10C	R1011	3D
C1408	2A	F21462	10C	R1205	4E
C1409	2D	F21463	10A	R1012	3D
C1410	2D	F21464	10A	R1206	4E
C1411	2D	F21465	10A	R1013	3D
C1412	2D	F21466	10A	R1207	4E
C1413	2D	F21467	10C	R1014	3D
C1414	2D	F21468	10C	R1208	4E
C1415	2D	F21469	10B	R1015	3D
C1416	2D	F21470	10B	R1209	4E
C1417	2D	F21471	10B	R1016	3D
C1418	2D	F21472	10B	R1210	4E
C1419	2D	F21473	10B	R1017	3D
C1420	2D	F21474	10B	R1211	4E
C1421	2D	F21475	10B	R1018	3D
C1422	2D	F21476	10B	R1212	4E
C1423	2D	F21477	10B	R1019	3D
C1424	2D	F21478	10B	R1213	4E
C1425	2D	F21479	10B	R1020	3D
C1426	2D	F21480	10B	R1214	4E
C1427	2D	F21481	10B	R1021	3D
C1428	2D	F21482	10B	R1215	4E
C1429	2D	F21483	10B	R1022	3D
C1430	2D	F21484	10B	R1216	4E
C1431	2D	F21485	10B	R1023	3D
C1432	2D	F21486	10B	R1217	4E
C1433	2D	F21487	10B	R1024	3D
C1434	2D	F21488	10B	R1218	4E
C1435	2D	F21489	10B	R1025	3D
C1436	2D	F21490	10B	R1219	4E
C1437	2D	F21491	10B	R1026	3D
C1438	2D	F21492	10B	R1220	4E
C1439	2D	F21493	10B	R1027	3D
C1440	2D	F21494	10B	R1221	4E
C1441	2D	F21495	10B	R1028	3D
C1442	2D	F21496	10B	R1222	4E
C1443	2D	F21497	10B	R1029	3D
C1444	2D	F21498	10B	R1223	4E
C1445	2D	F21499	10B	R1030	3D
C1446	2D	F21500	10B	R1224	4E
C1447	2D	F21501	10B	R1031	3D
C1448	2D	F21502	10B	R1225	4E
C1449	2D	F21503	10B	R1032	3D
C1450	2D	F21504	10B	R1226	4E
C1451	2D	F21505	10B	R1033	3D
C1452	2D	F21506	10B	R1227	4E
C1453	2D	F21507	10B	R1034	3D
C1454	2D	F21508	10B	R1228	4E
C1455	2D	F21509	10B	R1035	3D
C1456	2D	F21510	10B	R1229	4E
C1457	2D	F21511	10B	R1036	3D
C1458	2D	F21512	10B	R1230	4E
C1459	2D	F21513	10B	R1037	3D
C1460	2D	F21514	10B	R1231	4E
C1461	2D	F21515	10B	R1038	3D
C1462	2D	F21516	10B	R1232	4E
C1463	2D	F21517	10B	R1039	3D
C1464	2D	F21518	10B	R1233	4E
C1465	2D	F21519	10B	R1040	3D
C1466	2D	F21520	10B	R1234	4E
C1467	2D	F21521	10B	R1041	3D
C1468	2D	F21522	10B	R1235	4E
C1469	2D	F21523	10B	R1042	3D
C1470	2D	F21524	10B	R1236	4E
C1471	2D	F21525	10B	R1043	3D
C1472	2D	F21526	10B	R1237	4E
C1473	2D	F21527	10B	R1044	3D
C1474	2D	F21528	10B	R1238	4E
C1475	2D	F21529	10B	R1045	3D
C1476	2D	F21530	10B	R1239	4E
C1477	2D	F21531	10B	R1046	3D
C1478	2D	F21532	10B	R1240	4E
C1479	2D	F21533	10B	R1047	3D
C1480	2D	F21534	10B	R1241	4E
C1481	2D	F21535	10B	R1048	3D
C1482	2D	F21536	10B	R1242	4E
C1483	2D	F21537	10B	R1049	3D
C1484	2D	F21538	10B	R1243	4E
C1485	2D	F21539	10B	R1050	3D
C1486	2D	F21540	10B	R1244	4E
C1487	2D	F21541	10B	R1051	3D
C1488	2D	F21542	10B	R1245	4E
C1489	2D	F21543	10B	R1052	3D
C1490	2D	F21544	10B	R1246	4E
C1491	2D	F21545	10B	R1053	3D
C1492	2D	F21546	10B	R1247	4E
C1493	2D	F21547	10B	R1054	3D
C1494	2D	F21548	10B	R1248	4E
C1495	2D	F21549	10B	R1055	3D
C1496	2D	F21550	10B	R1249	4E
C1497	2D	F21551	10B	R1056	3D
C1498	2D	F21552	10B	R1250	4E
C1499	2D	F21553	10B	R1057	3D
C1500	2D	F21554	10B	R1251	4E
C1501	2D	F21555	10B	R1058	3D
C1502	2D	F21556	10B	R1252	4E
C1503	2D	F21557	10B	R1059	3D
C1504	2D	F21558	10B	R1253	4E
C1505	2D	F21559	10B	R1060	3D
C1506	2D	F21560	10B	R1254	4E
C1507	2D	F21561	10B	R1061	3D
C1508	2D	F21562	10B	R1255	4E
C1509	2D	F21563	10B	R1062	3D
C1510	2D	F21564	10B	R1256	4E
C1511	2D	F21565	10B	R1063	3D
C1512	2D	F21566	10B	R1257	4E
C1513	2D	F21567	10B	R1064	3D
C1514	2D	F21568	10B	R1258	4E
C1515	2D	F21569	10B	R1065	3D
C1516	2D	F21570	10B	R1259	4E
C1517	2D	F21571	10B	R1066	3D
C1518	2D	F21572	10B	R1260	4E
C1519	2D	F21573	10B	R1067	3D
C1520	2D	F21574	10B	R1261	4E
C1521	2D	F21575	10B	R1068	3D
C1522	2D	F21576	10B	R1262	4E
C1523	2D	F21577	10B	R1069	3D
C1524	2D	F21578	10B	R1263	4E
C1525	2D	F21579	10B	R1070	3D
C1526	2D	F21580	10B	R1264	4E
C1527	2D	F21581	10B	R1071	3D
C1528	2D	F21582	10B	R1265	4E
C1529	2D	F21583	10B	R1072	3D
C1530	2D	F21584	10B	R1266	4E
C1531	2D	F21585	10B	R1073	3D
C1532	2D	F21586	10B	R1267	4E
C1533	2D	F21587	10B	R1074	3D
C1534	2D	F21588	10B	R1268	4E
C1535	2D	F21589	10B	R1075	3D
C1536	2D	F21590	10B	R1269	4E
C1537	2D	F21591	10B	R1076	3D
C1538	2D	F21592	10B	R1270	4E
C1539	2D	F21593	10B	R1077	3D
C1540	2D	F21594	10B	R1271	4E
C1541	2D	F21595	10B	R1078	3D
C1542	2D	F21596	10B	R1272	4E
C1543	2D	F21597	10B	R1079	3D
C1544	2D	F21598	10B	R1273	4E
C1545	2D	F21599	10B	R1080	3D
C1546	2D	F21600	10B	R1274	4E
C1547	2D	F21601	10B	R1081	3D
C1548	2D	F21602	10B	R1275	4E
C1549	2D	F21603	10B	R1082	3D
C1550	2D	F21604	10B	R1276	4E
C1551	2D	F21605	10B	R1083	3D
C1552	2D	F21606	10B	R1277	4E
C1553	2D	F21607	10B	R1084	3D
C1554	2D	F21608	10B	R1278	4E
C1555	2D	F21609	10B	R1085	3D
C1556	2D	F21610	10B	R1279	4E
C1557	2D	F21611	10B	R1086	3D
C1558	2D	F21612	10B	R1280	4E
C1559	2D	F21613	10B	R1087	3D
C1560	2D	F21614	10B	R1281	4E
C1561	2D	F21615	10B	R1088	3D
C1562	2D	F21616	10B	R1282	4E
C1563	2D	F21617	10B	R1089	3D
C1564	2D	F21618	10B	R1283	4E
C1565	2D	F21619	10B	R1090	3D
C1566	2D	F21620	10B	R1284	4E
C1567	2D	F21621	10B	R1091	3D
C1568	2D	F21622	10B	R1285	4E
C1569	2D	F21623	10B	R1092	3D
C1570	2D	F21624	10B	R1286	4E
C1571	2D	F21625	10B	R1093	3D
C1572	2D	F21626	10B	R1287	4E
C1573	2D	F21627	10B	R1094	3D
C1574	2D	F21628	10B	R1288	4E
C1575	2D	F21629	10B	R1095	3D
C1576	2D	F21630	10B	R1289	4E
C1577	2D	F21631	10B	R1096	3D
C1578	2D	F21632	10B	R1290	4E
C1579	2D	F21633	10B	R1097	3D
C1580	2D	F21634	10B	R1291	4E
C1581	2D	F21635	10B	R1098	3D
C1582	2D	F21636	10B	R1292	4E
C1583	2D	F21637	10B	R1099	3D
C1584	2D	F21638	10B	R1293	4E
C1585	2D	F21639	10B	R1100	3D
C1586	2D	F21640	10B	R1294	4E
C1587	2D	F21641	10B	R1101	3D
C1588	2D	F21642	10B	R1295	4E
C1589	2D	F21643	10B	R1102	3D
C1590	2D	F21644	10B	R1296	4E
C1591	2D	F21645	10B	R1103	3D
C1592	2D	F21646	10B	R1297	4E
C1593	2D	F21647	10B	R1104	3D
C1594	2D	F21648	10B	R1298	4E
C1595	2D	F21649	10B	R1105	3D
C1596	2D	F21650	10B	R1299	4E
C1597	2D	F21651	10B	R1106	3D
C1598	2D	F21652	10B	R1300	4E
C1599	2D	F21653	10B	R1107	3D
C1600	2D	F21654	10B	R1301	4E
C1601	2D	F21655	10B	R1108	3D
C1602	2D	F21656	10B	R1302	4E
C1603	2D	F21657	10B	R1109	3D
C1604	2D	F21658	10B	R1303	4E
C1605	2D	F21659	10B	R1110	3D
C1606	2D	F21660	10B	R1304	4E
C1607	2D	F21661	10B	R1111	3D
C1608	2D	F21662	10B	R1305	4E
C1609	2D	F21663	10B	R1112	3D
C1610	2D	F21664	10B	R1306	4E
C1611	2D	F21665	10B	R1113	3D
C1612	2D	F21666	10B	R1307	4E
C1613	2D	F21667	10B	R1114	3D
C1614	2D	F21668	10B	R1308	4E
C1615	2D	F21669	10B	R1115	3D
C1616	2D	F21670	10B	R1309	4E
C1617	2D	F21671	10B	R1116	3D
C1618	2D	F21672	10B	R1310	4E
C1619	2D	F21673	10B	R1117	3D
C1620	2D	F21674	10B	R1311	4E
C1621	2D	F21675	10B	R1118	3D
C1622	2D	F21676	10B	R1312	4E
C1623	2D	F21677	10B	R1119	3D
C1624	2D	F21678	10B	R1313	4E
C1625	2D	F21679	10B	R1120	3D
C1626	2D	F21680	10B	R1314	

AN/SPS-29  
REPAIR

CONFIDENTIAL  
NAVSHIPS 93154(A)



THYATRON TRIGGER SUB-CHASSIS



WIRE LEGEND		WIRE LEGEND			
SYMBOL	SIZE	DESCRIPTION	SYMBOL	SIZE	DESCRIPTION
A0	22	BLACK	E1	18	BROWN
A9	22	WHITE	B1	18	BROWN
A8	22	RED	D0	14	BLACK
A7	22	VIOLET	C9	14	WHITE
A2	22	RED	E2	18	RED
B0	18	BLACK	C2	14	GREEN
B9	18	WHITE	E6	18	BLUE
B8	18	GRAY	C8	18	WHITE
B6	18	BLUE	F0	10	BLACK
B5	18	GREEN	F1	10	BROWN

CONFIDENTIAL  
NAVSHIPS 93154(A)

Figure  
6-61

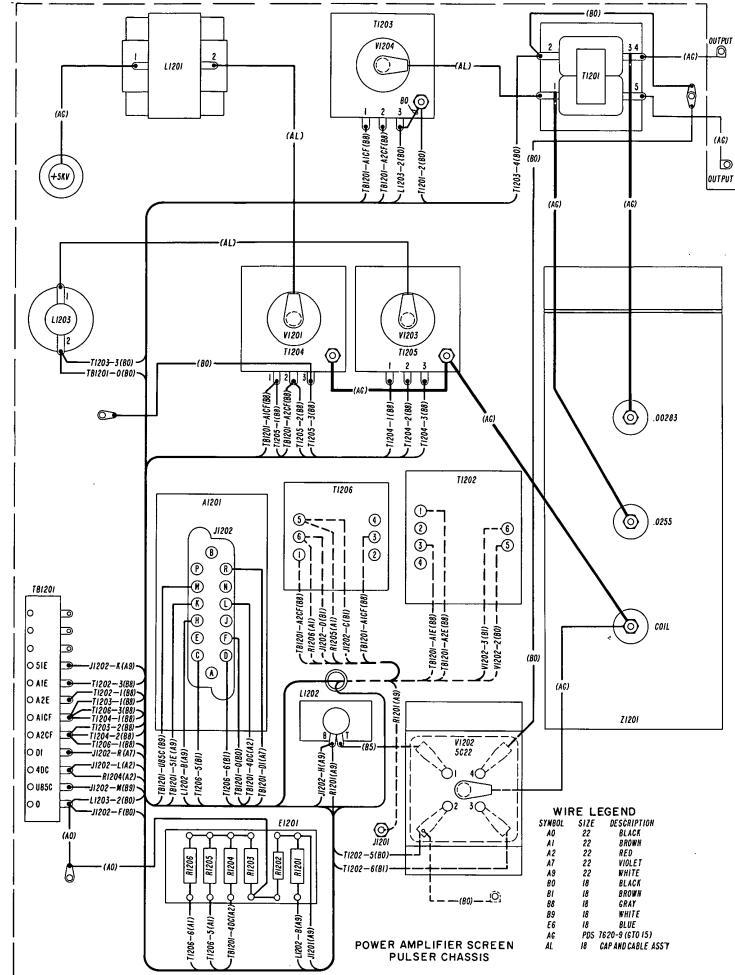


Figure 6-61. Radar Modulator MD-334/SPS-29, Thyatron Trigger Chassis and Subchassis, and Power Amplifier Screen Pulser Chassis Wiring Diagram

ORIGINAL

CONFIDENTIAL

CONFIDENTIAL

6-127  
6-128

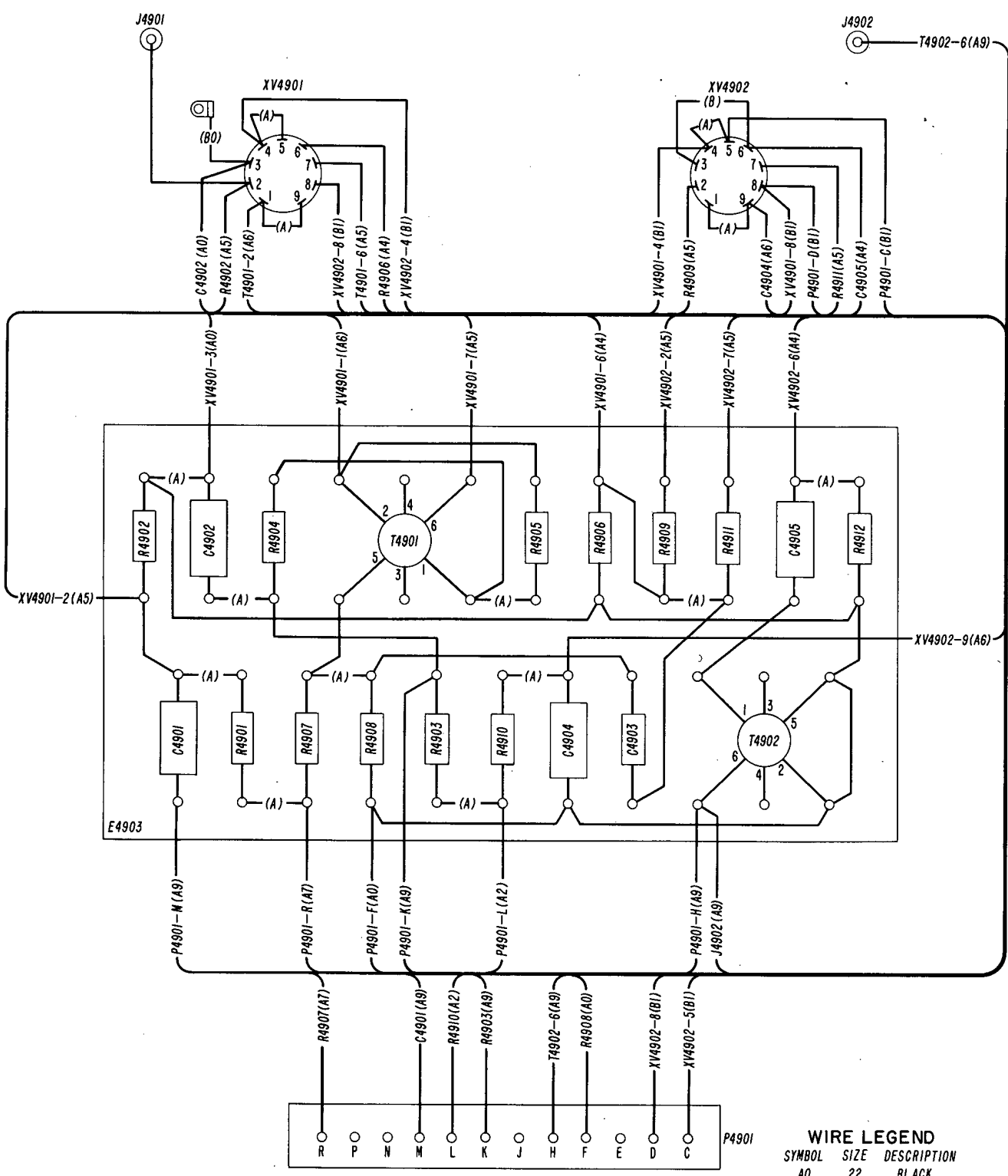


Figure 6-62. Trigger Amplifier, Wiring Diagram



AN/SPS-29  
REPAIR

CONFIDENTIAL  
NAVSHIPS 93154(A)

CONFIDENTIAL  
NAVSHIPS 93154(A)

Figure  
6-64

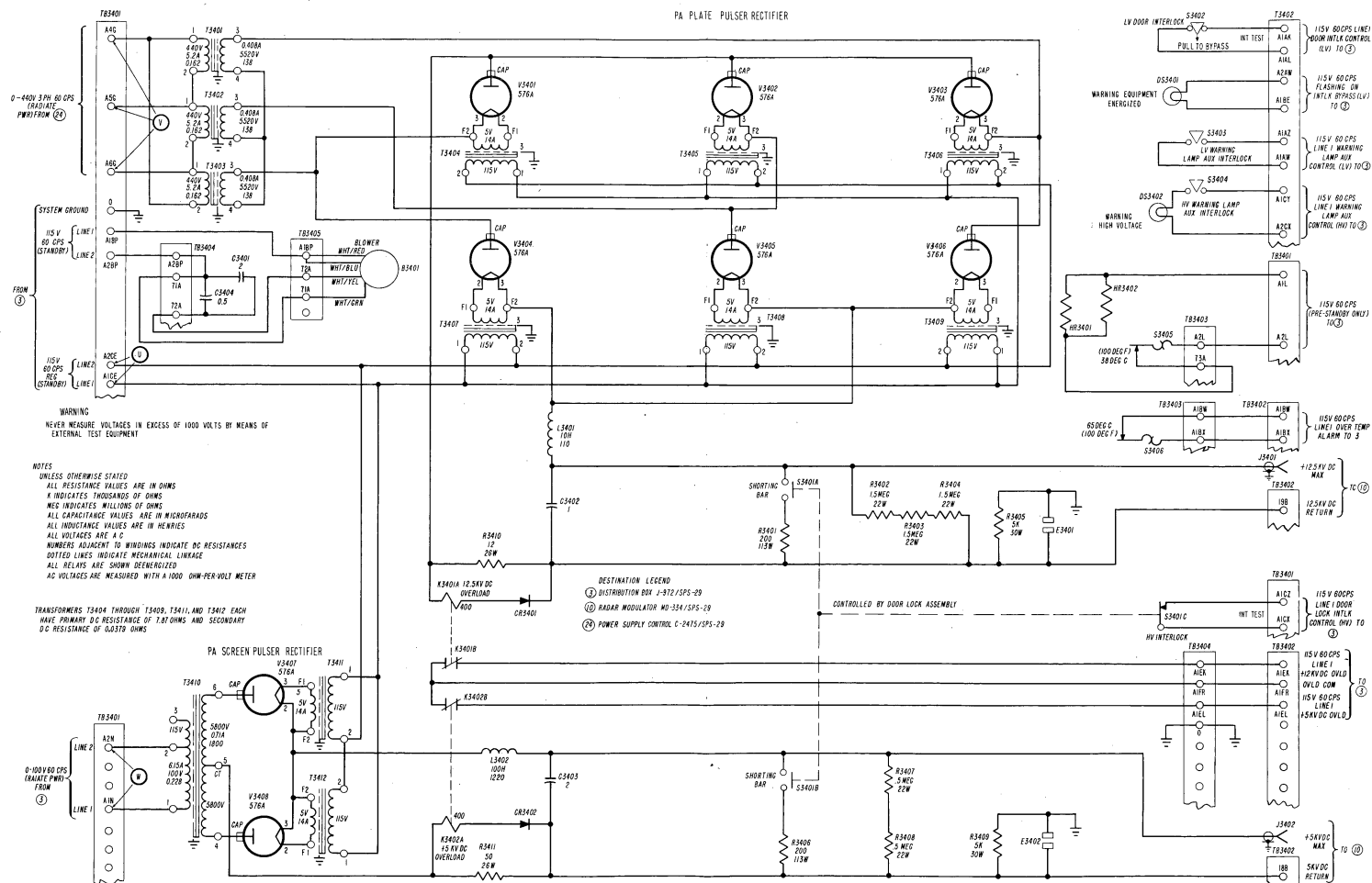


Figure 6-64. Power Supply Assembly PP-2034/SPS-29, Schematic Diagram

ORIGINAL

CONFIDENTIAL

CONFIDENTIAL

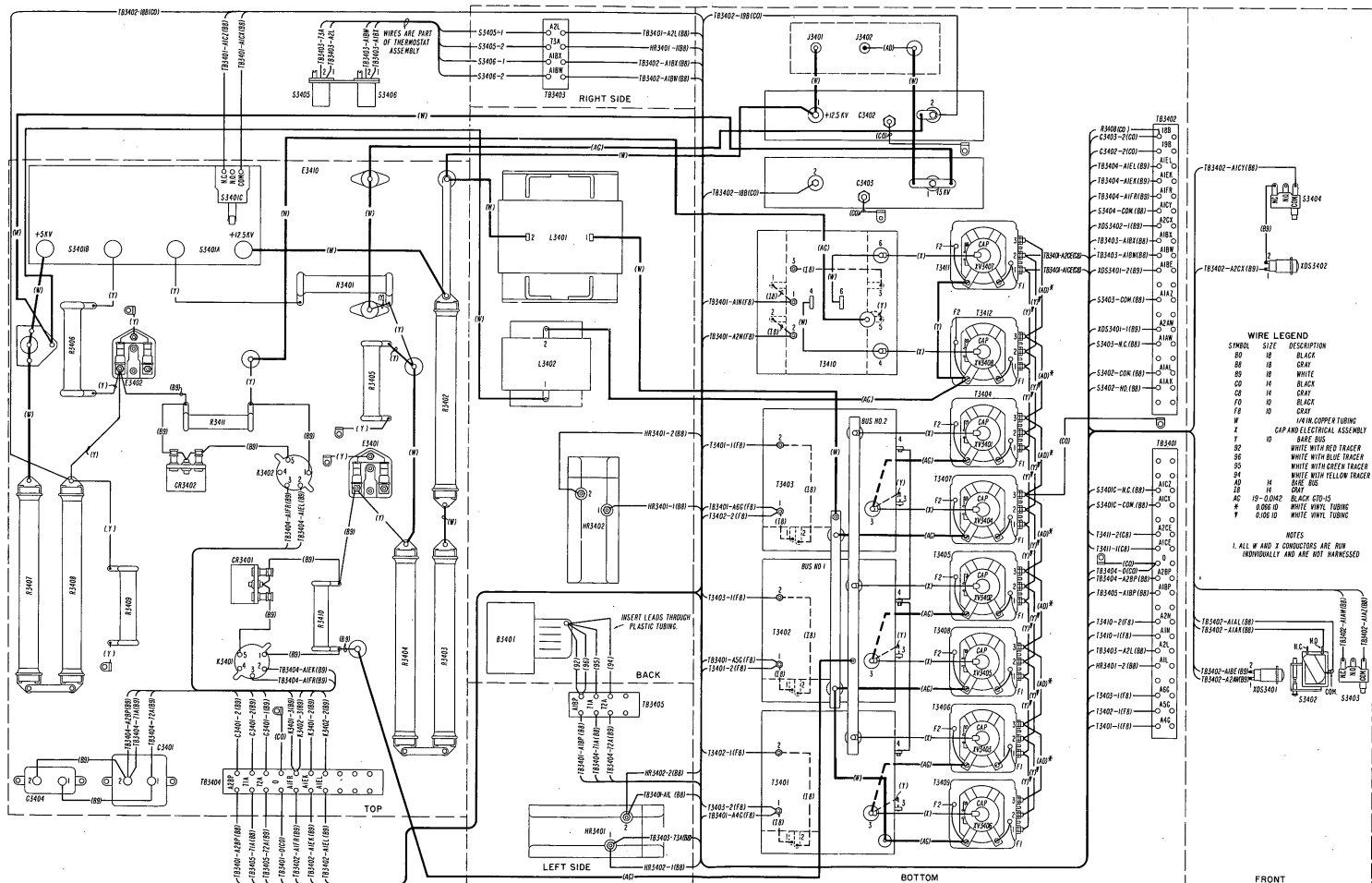
6-133  
6-134

AN/SPS-29  
REPAIR

CONFIDENTIAL  
NAVSHIPS 93154(A)

CONFIDENTIAL  
NAVSHIPS 93154(A)

Figure  
6-65



**WIRE LEGEND**

SYMBOL	SIZE	DESCRIPTION
BO	18	BLACK
BR	18	BROWN
CS	18	CRANK
CO	18	WHITE
CR	18	BLACK
CH	18	CRANK
FD	18	BLACK
FB	18	CRANK
W	18	1/4 IN. COPPER TUBING
Z	18	CAP AND ELECTRICAL ASSEMBLY
Y	18	BLACK BUS
SO	18	WHITE WITH RED TRACER
SE	18	WHITE WITH BLUE TRACER
SD	18	WHITE WITH GREEN TRACER
SC	18	WHITE WITH YELLOW TRACER
SA	18	CRANK
SA	18	CRANK
AC	18	1/4 IN. COPPER TUBING
A	18	BLACK
B	18	WHITE
C	18	BLACK
D	18	WHITE
E	18	BLACK
F	18	WHITE
G	18	BLACK
H	18	WHITE
I	18	BLACK
J	18	WHITE
K	18	BLACK
L	18	WHITE
M	18	BLACK
N	18	WHITE
O	18	BLACK
P	18	WHITE
Q	18	BLACK
R	18	WHITE
S	18	BLACK
T	18	WHITE
U	18	BLACK
V	18	WHITE
W	18	BLACK
X	18	WHITE
Y	18	BLACK
Z	18	WHITE

**NOTES**

- ALL W AND Z CONDUCTORS ARE RUN INDIVIDUALLY AND ARE NOT BUNDLED

Figure 6-65. Power Supply Assembly PP-2034/SPS-29, Wiring Diagram

ORIGINAL

CONFIDENTIAL

CONFIDENTIAL

6-135

6-136

AN/SPS-29  
REPAIR

**CONFIDENTIAL**  
NAVSHIPS 93154(A)

**CONFIDENTIAL**  
NAVSHIPS 93154(A)

Figure  
6-66

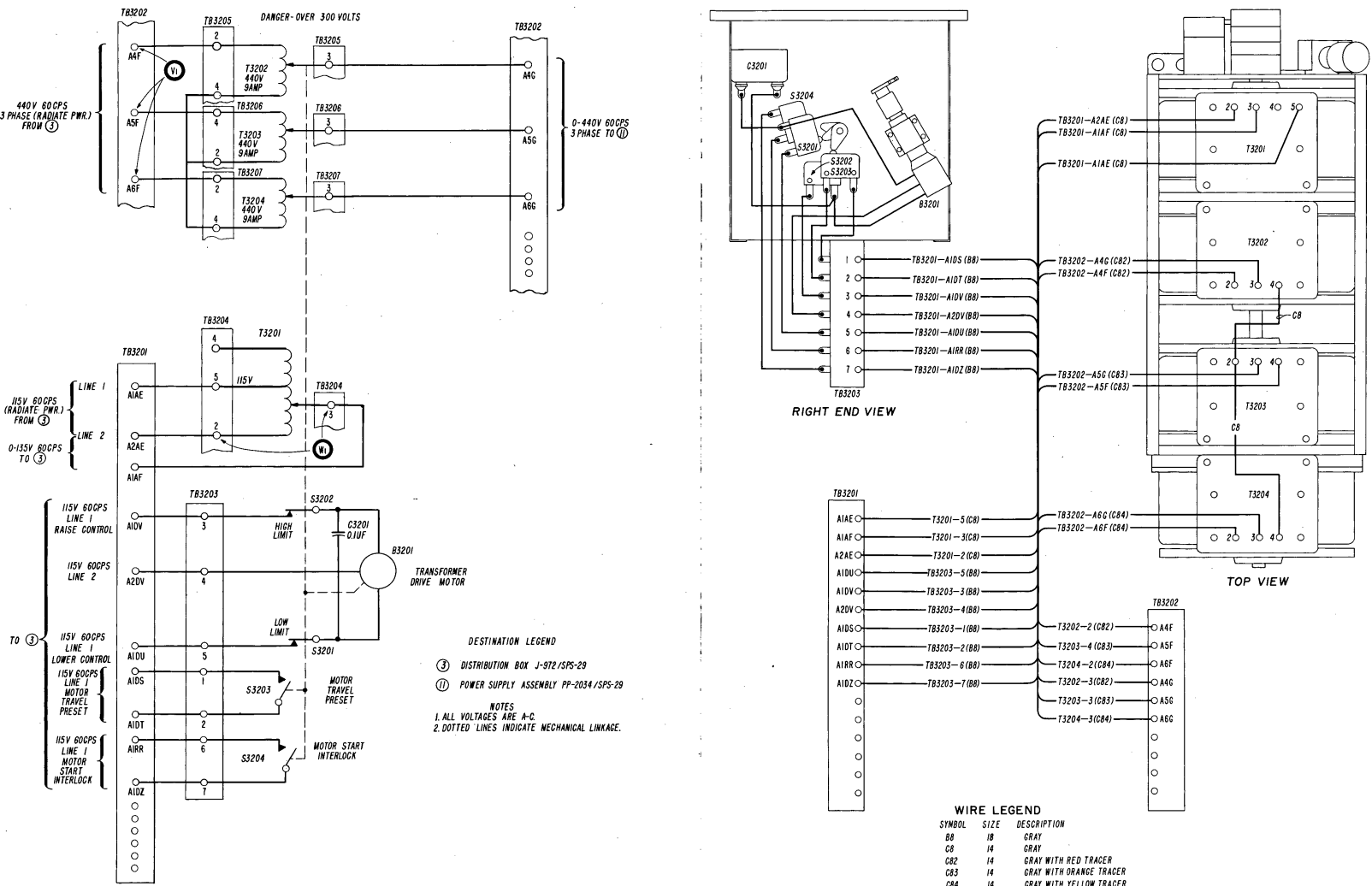


Figure 6-66. Power Supply Control C-2475/SPS-29, Schematic and Wiring Diagram

ORIGINAL

**CONFIDENTIAL**

**CONFIDENTIAL**

6-137  
6-138



AN/SPS-29  
REPAIR

CONFIDENTIAL  
NAVSHIPS 93154(A)

CONFIDENTIAL  
NAVSHIPS 93154(A)

Figure  
6-67

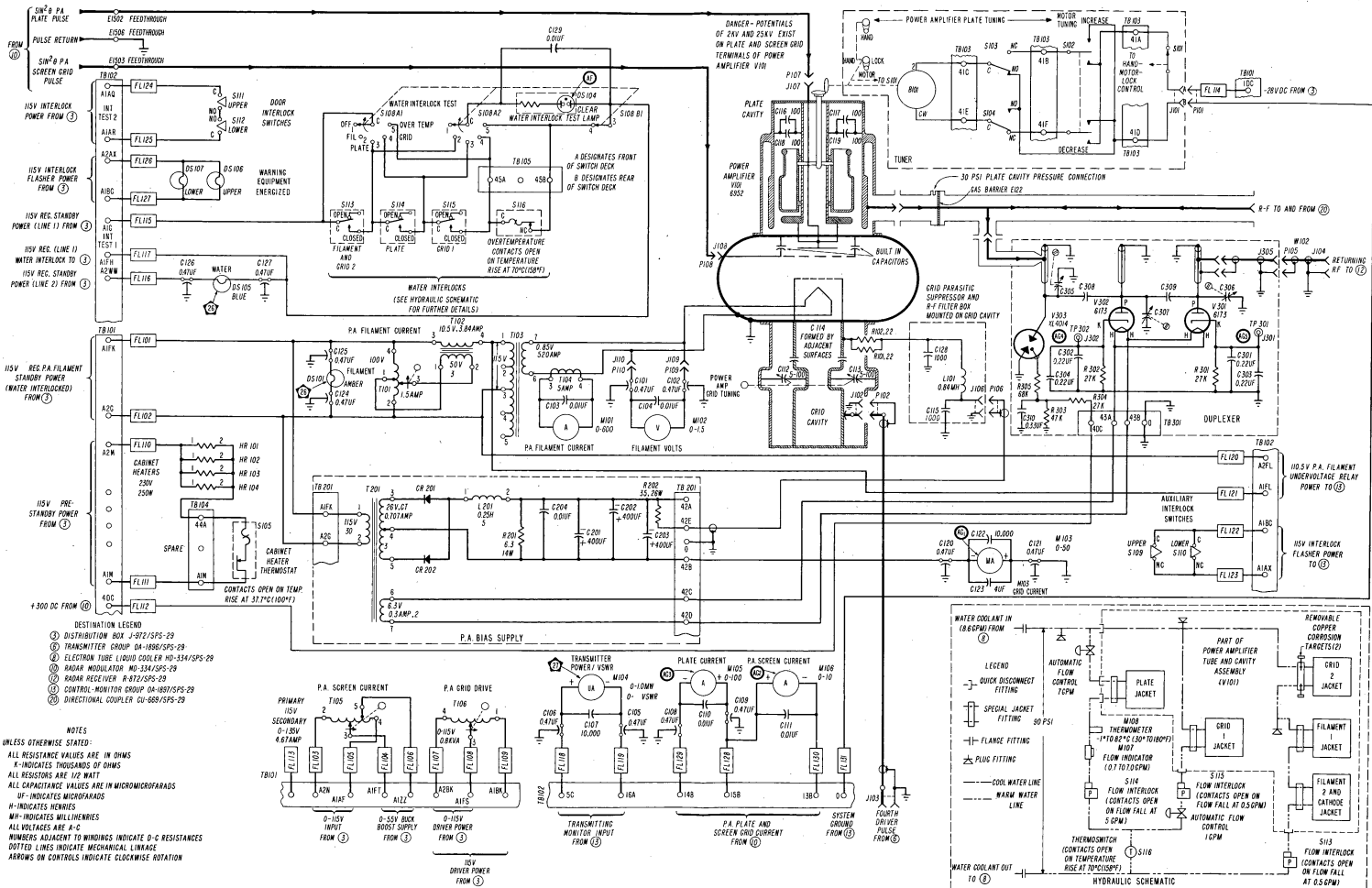


Figure 6-67. Radio Frequency Amplifier AM-1923/SPS-29, Schematic Diagram

ORIGINAL

CONFIDENTIAL

CONFIDENTIAL

6-139

6-140

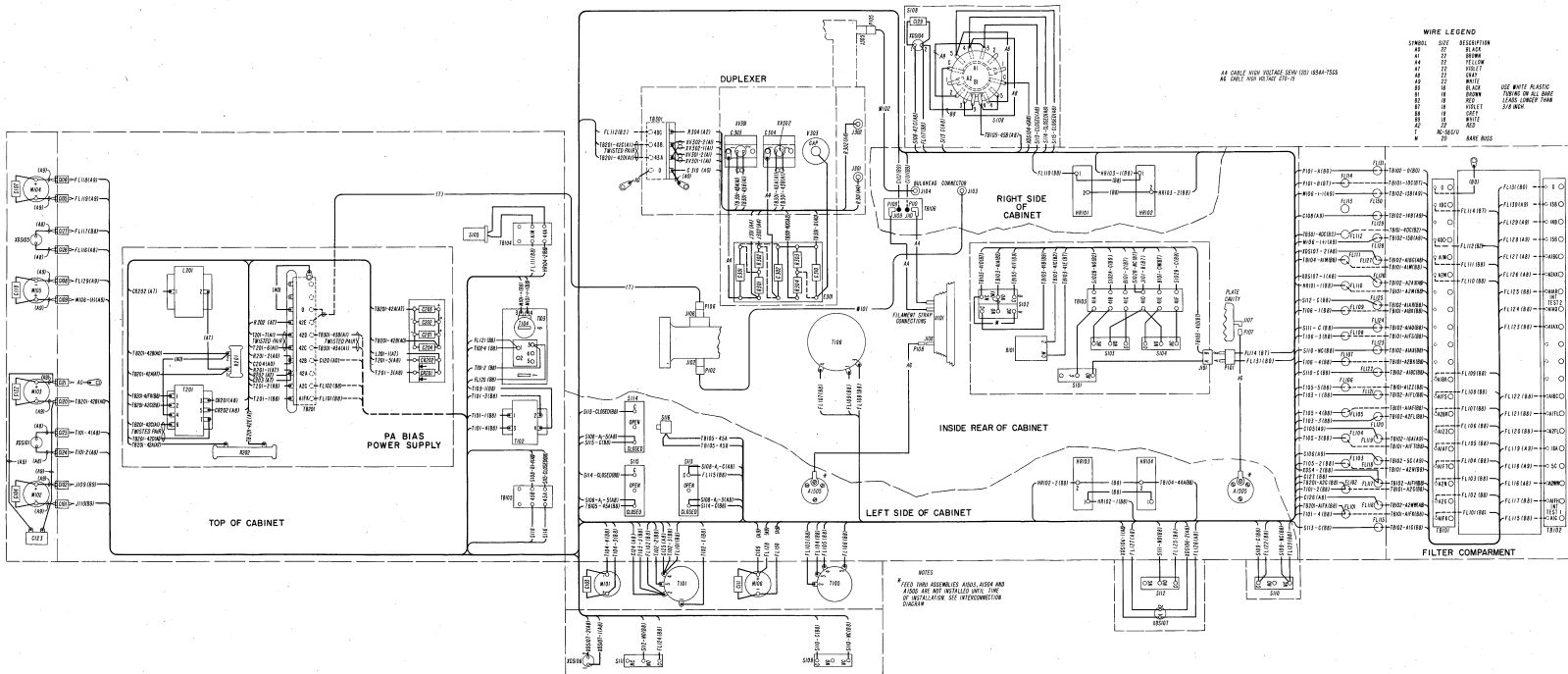


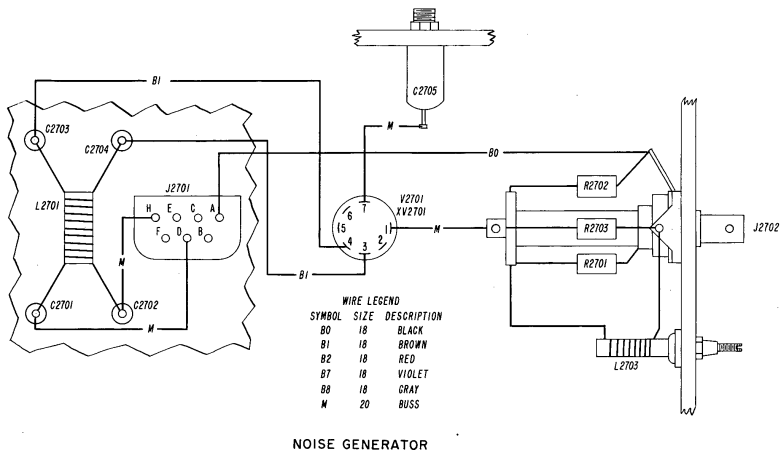
Figure 6-68. Radio Frequency Amplifier AM-1923/SPS-29, Wiring Diagram

CONFIDENTIAL  
NAVSHIPS 93154(A)

Ref. Design	Location	Ref. Design	Location	Ref. Design	Location	Ref. Design	Location
C2401	1B	C3003	5D	K3001	1A	R2595	4B
C2402	2E	C3004	5E	K3002	7B	R2596	5B
C2403	2A	C3005	5B	L2401	2B	R2597	5B
C2404	2B	C3006	1B	L2402	2B	R2598	5B
C2405	2B	C3007	1C	L2403	2A	R2599	5B
C2407	2B	C3008	1E	L2404	2B	R2610	5A
C2408	2A	C3009	1D	L2405	2B	R2611	6A
C2409	2A	C3010	1E	L2406	2B	R2612	6B
C2410	2A	C3011	7A	L2407	2B	R2613	6A
C2411	2A	C3012	7A	L2408	3B	R2614	6A
C2412	2A	C3013	7A	L2409	3C	R2615	6A
C2413	3A	C3014	7A	L2410	2B	R2616	6C
C2414	3A	C3015	7C	L2411	2C	R2617	6C
C2415	3B	C3016	7A	L2412	3A	R2618	6C
C2416	3A	C3017	1A	L2413	2A	R2619	6D
C2417	3A	C3018	3A	L2414	2A	R2620	5D
C2418	3B	C3019	6D	L2415	2B	R2621	5D
C2419	2B	C3020	6E	L2416	2A	R2622	5D
C2420	2B	C3021	7C	L2417	2A	R2623	5C
C2421	3B	C3022	7C	L2418	3A	R2624	5C
C2422	3B	CP2402	1B	L2501	4B	R2625	6D
C2423	3C	CP2403	1B	L2502	5A	R2626	6D
C2424	3C	CP2404	1C	L2503	5B	R2627	6D
C2425	3C	CP2405	1C	L2504	6B	R2628	6D
C2426	2C	CP2701	3E	L2505	5A	R2629	6D
C2427	2C	CP2702	3E	L2506	6B	R2630	6D
C2428	2B	CP2501	1D	L2507	6A	R2631	6C
C2429	3B	CP2502	1D	L2701	2E	R2632	6C
C2430	2C	CR2001	6C	L2702	2E	R2633	6C
C2431	2C	CR2002	5D	L2703	3E	R2634	6C
C2432	3C	CR2003	5D	P2401	1A	R2635	6C
C2433	4B	CR2004	5D	P2402	1B	R2636	6C
C2434	4A	CR2005	5D	P2403	1B	R2637	6C
C2435	5A	CR2006	5D	P2404	1B	R2638	6C
C2436	5A	CR2007	5D	P2405	1B	R2639	6C
C2437	5B	CR2008	5D	P2406	2B	R2640	6C
C2438	5B	CR2009	5D	P2407	2A	R2641	6C
C2439	5B	CR2010	5D	P2408	2B	R2642	6C
C2440	5B	CR2011	5D	P2409	2B	R2643	6C
C2441	2C	CR2012	5D	P2410	1B	R2644	6C
C2442	2C	CR2013	5D	P2411	1B	R2645	6C
C2443	2C	CR2014	5D	P2412	1B	R2646	6C
C2444	2C	CR2015	5D	P2413	1B	R2647	6C
C2445	2C	CR2016	5D	P2414	1B	R2648	6C
C2446	2C	CR2017	5D	P2415	1B	R2649	6C
C2447	2C	CR2018	5D	P2416	1B	R2650	6C
C2448	2C	CR2019	5D	P2417	1B	R2651	6C
C2449	2C	CR2020	5D	P2418	1B	R2652	6C
C2450	2C	CR2021	5D	P2419	1B	R2653	6C
C2451	2C	CR2022	5D	P2420	1B	R2654	6C
C2452	2C	CR2023	5D	P2421	1B	R2655	6C
C2453	2C	CR2024	5D	P2422	1B	R2656	6C
C2454	2C	CR2025	5D	P2423	1B	R2657	6C
C2455	2C	CR2026	5D	P2424	1B	R2658	6C
C2456	2C	CR2027	5D	P2425	1B	R2659	6C
C2457	2C	CR2028	5D	P2426	1B	R2660	6C
C2458	2C	CR2029	5D	P2427	1B	R2661	6C
C2459	2C	CR2030	5D	P2428	1B	R2662	6C
C2460	2C	CR2031	5D	P2429	1B	R2663	6C
C2461	2C	CR2032	5D	P2430	1B	R2664	6C
C2462	2C	CR2033	5D	P2431	1B	R2665	6C
C2463	2C	CR2034	5D	P2432	1B	R2666	6C
C2464	2C	CR2035	5D	P2433	1B	R2667	6C
C2465	2C	CR2036	5D	P2434	1B	R2668	6C
C2466	2C	CR2037	5D	P2435	1B	R2669	6C
C2467	2C	CR2038	5D	P2436	1B	R2670	6C
C2468	2C	CR2039	5D	P2437	1B	R2671	6C
C2469	2C	CR2040	5D	P2438	1B	R2672	6C
C2470	2C	CR2041	5D	P2439	1B	R2673	6C
C2471	2C	CR2042	5D	P2440	1B	R2674	6C
C2472	2C	CR2043	5D	P2441	1B	R2675	6C
C2473	2C	CR2044	5D	P2442	1B	R2676	6C
C2474	2C	CR2045	5D	P2443	1B	R2677	6C
C2475	2C	CR2046	5D	P2444	1B	R2678	6C
C2476	2C	CR2047	5D	P2445	1B	R2679	6C
C2477	2C	CR2048	5D	P2446	1B	R2680	6C
C2478	2C	CR2049	5D	P2447	1B	R2681	6C
C2479	2C	CR2050	5D	P2448	1B	R2682	6C
C2480	2C	CR2051	5D	P2449	1B	R2683	6C
C2481	2C	CR2052	5D	P2450	1B	R2684	6C
C2482	2C	CR2053	5D	P2451	1B	R2685	6C
C2483	2C	CR2054	5D	P2452	1B	R2686	6C
C2484	2C	CR2055	5D	P2453	1B	R2687	6C
C2485	2C	CR2056	5D	P2454	1B	R2688	6C
C2486	2C	CR2057	5D	P2455	1B	R2689	6C
C2487	2C	CR2058	5D	P2456	1B	R2690	6C
C2488	2C	CR2059	5D	P2457	1B	R2691	6C
C2489	2C	CR2060	5D	P2458	1B	R2692	6C
C2490	2C	CR2061	5D	P2459	1B	R2693	6C
C2491	2C	CR2062	5D	P2460	1B	R2694	6C
C2492	2C	CR2063	5D	P2461	1B	R2695	6C
C2493	2C	CR2064	5D	P2462	1B	R2696	6C
C2494	2C	CR2065	5D	P2463	1B	R2697	6C
C2495	2C	CR2066	5D	P2464	1B	R2698	6C
C2496	2C	CR2067	5D	P2465	1B	R2699	6C
C2497	2C	CR2068	5D	P2466	1B	R2700	6C
C2498	2C	CR2069	5D	P2467	1B	R2701	6C
C2499	2C	CR2070	5D	P2468	1B	R2702	6C
C2500	2C	CR2071	5D	P2469	1B	R2703	6C
C2501	2C	CR2072	5D	P2470	1B	R2704	6C
C2502	2C	CR2073	5D	P2471	1B	R2705	6C
C2503	2C	CR2074	5D	P2472	1B	R2706	6C
C2504	2C	CR2075	5D	P2473	1B	R2707	6C
C2505	2C	CR2076	5D	P2474	1B	R2708	6C
C2506	2C	CR2077	5D	P2475	1B	R2709	6C
C2507	2C	CR2078	5D	P2476	1B	R2710	6C
C2508	2C	CR2079	5D	P2477	1B	R2711	6C
C2509	2C	CR2080	5D	P2478	1B	R2712	6C
C2510	2C	CR2081	5D	P2479	1B	R2713	6C
C2511	2C	CR2082	5D	P2480	1B	R2714	6C
C2512	2C	CR2083	5D	P2481	1B	R2715	6C
C2513	2C	CR2084	5D	P2482	1B	R2716	6C
C2514	2C	CR2085	5D	P2483	1B	R2717	6C
C2515	2C	CR2086	5D	P2484	1B	R2718	6C
C2516	2C	CR2087	5D	P2485	1B	R2719	6C
C2517	2C	CR2088	5D	P2486	1B	R2720	6C
C2518	2C	CR2089	5D	P2487	1B	R2721	6C
C2519	2C	CR2090	5D	P2488	1B	R2722	6C
C2520	2C	CR2091	5D	P2489	1B	R2723	6C
C2521	2C	CR2092	5D	P2490	1B	R2724	6C
C2522	2C	CR2093	5D	P2491	1B	R2725	6C
C2523	2C	CR2094	5D	P2492	1B	R2726	6C
C2524	2C	CR2095	5D	P2493	1B	R2727	6C
C2525	2C	CR2096	5D	P2494	1B	R2728	6C
C2526	2C	CR2097	5D	P2495	1B	R2729	6C
C2527	2C	CR2098	5D	P2496	1B	R2730	6C
C2528	2C	CR2099	5D	P2497	1B	R2731	6C
C2529	2C	CR2100	5D	P2498	1B	R2732	6C
C2530	2C	CR2101	5D	P2499	1B	R2733	6C
C2531	2C	CR2102	5D	P2500	1B	R2734	6C
C2532	2C	CR2103	5D	P2501	1B	R2735	6C
C2533	2C	CR2104	5D	P2502	1B	R2736	6C
C2534	2C	CR2105	5D	P2503	1B	R2737	6C
C2535	2C	CR2106	5D	P2504	1B	R2738	6C
C2536	2C	CR2107	5D	P2505	1B	R2739	6C
C2537	2C	CR2108	5D	P2506	1B	R2740	6C
C2538	2C	CR2109	5D	P2507	1B	R2741	6C
C2539	2C	CR2110	5D	P2508	1B	R2742	6C
C2540	2C	CR2111	5D	P2509	1B	R2743	6C
C2541	2C	CR2112	5D	P2510	1B	R2744	6C
C2542	2C	CR2113	5D	P2511	1B	R2745	6C
C2543	2C	CR2114	5D	P2512	1B	R2746	6C
C2544	2C	CR2115	5D	P2513	1B	R2747	6C
C2545	2C	CR2116	5D	P2514	1B	R2748	6C
C2546	2C	CR2117	5D	P2515	1B	R2749	6C
C2547	2C	CR2118	5D	P2516	1B	R2750	6C
C2548	2C	CR2119	5D	P2517	1B	R2751	6C
C2549	2C	CR2120	5D	P2518	1B	R2752	6C
C2550	2C	CR2121	5D	P2519	1B	R2753	6C
C2551	2C	CR2122	5D	P2520	1B	R2754	6C
C2552	2C	CR2123	5D	P2521	1B	R2755	6C
C2553	2C	CR2124	5D	P2522	1B	R2756	6C
C2554	2C	CR2125	5D	P2523	1B	R2757	6C
C2555	2C	CR2126	5D	P2524	1B	R2758	6C
C2556	2C	CR2127	5D	P2525	1B	R2759	6C
C2557	2C	CR2128	5D	P2526	1B	R2760	6C
C2558	2C	CR2129	5D	P2527	1B	R2761	6C
C2559	2C	CR2130	5D	P2528	1B	R2762	6C
C2560	2C	CR2131	5D	P2529	1B	R2763	6C
C2561	2C	CR2132	5D	P2530	1B	R2764	6C
C2562	2C	CR2133	5D	P2531	1B	R2765	6C
C2563	2C	CR2134	5D	P2532	1B	R2766	6C
C2564	2C	CR2135	5D	P2533	1B	R2767	6C
C2565	2C	CR2136	5D	P2534	1B	R2768	6C
C2566	2C	CR2137	5D	P2535	1B	R2769	6C
C2567	2C	CR2138	5D	P2536	1B	R2770	6C
C2568	2C	CR2139	5D	P2537	1B	R2771	6C
C2569	2C	CR2140	5D	P2538	1B	R2772	6C
C2570	2C	CR2141	5D	P2539	1B	R2773	6C
C2571	2C	CR2142	5D	P2540	1B	R2774	6C
C2572	2C	CR2143	5D	P2541	1B	R2775	6C
C2573	2C	CR2144	5D	P2542	1B	R2776	6C
C2574	2C	CR2145	5D	P2543	1B	R2777	6C
C2575	2C	CR2146	5D	P2544	1B	R2778	6C
C2576	2C	CR2147	5D	P2545	1B	R2779	6C
C2577	2C	CR2148	5D	P2546	1B	R2780	6C
C2578	2C	CR2149	5D	P2547	1B	R2781	6C
C2579	2C	CR2150	5D	P2548			

AN/SPS-29  
REPAIR

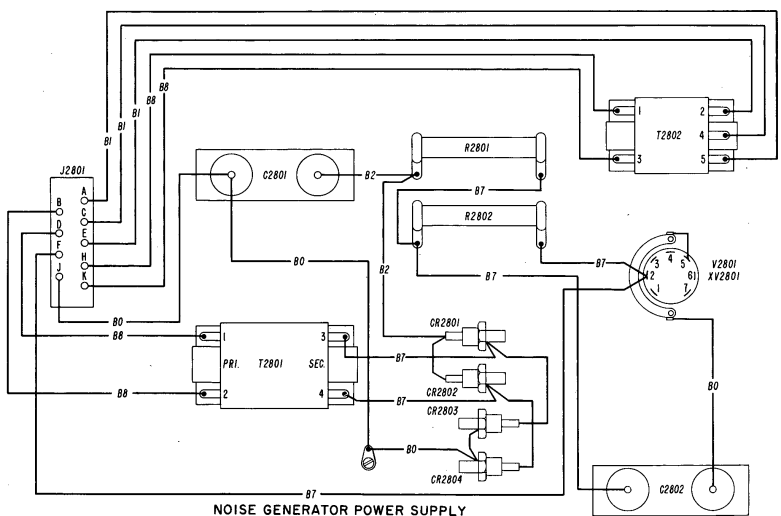
CONFIDENTIAL  
NAVSHIPS 93154(A)



NOISE GENERATOR

WIRE LEGEND

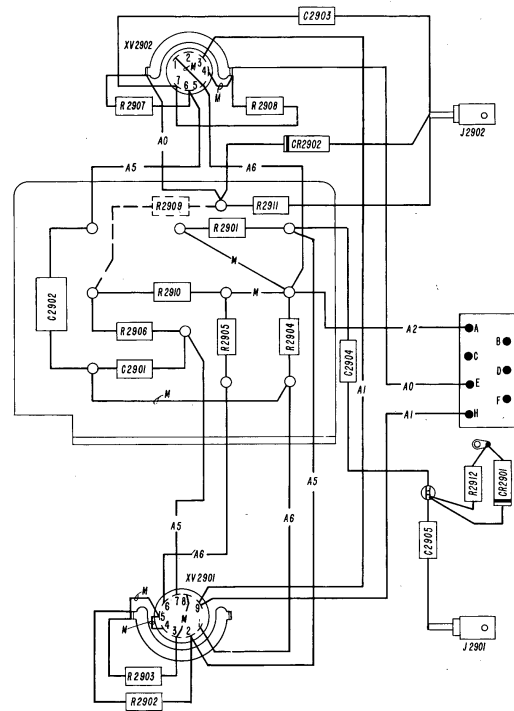
SYMBOL	SIZE	DESCRIPTION
B0	18	BLACK
B1	18	BROWN
B2	18	RED
B7	18	VIOLET
B8	18	GRAY
M	20	BUSS



NOISE GENERATOR POWER SUPPLY

CONFIDENTIAL  
NAVSHIPS 93154(A)

Figure  
6-70



BIAS PULSER CHASSIS

WIRE LEGEND

CODE	SIZE	DESCRIPTION
A0	22	BLACK
A1	22	BROWN
A2	22	RED
A4	22	YELLOW
A5	22	GREEN
A6	22	BLUE
M	20	BARE BUSS
ON ALL BARE LEADS LONGER THAN 3/8" USE WHITE PLASTIC TUBING		

Figure 6-70. Radar Receiver R-872/SPS-29, Noise Generator, Noise Generator Power Supply and Bias Pulsor Chassis, Wiring Diagram

ORIGINAL

CONFIDENTIAL

CONFIDENTIAL

6-145  
6-146

AN/SPS-29  
REPAIR

CONFIDENTIAL  
NAVSHIPS 93154(A)

CONFIDENTIAL  
NAVSHIPS 93154(A)

Figure  
6-71

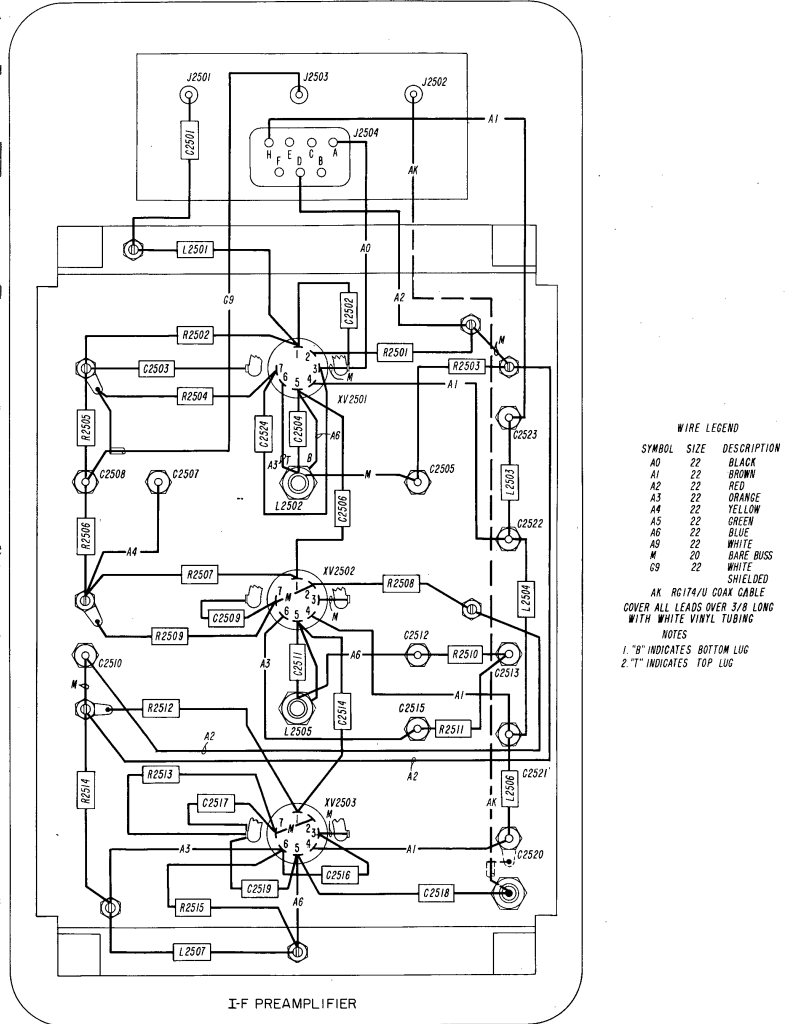
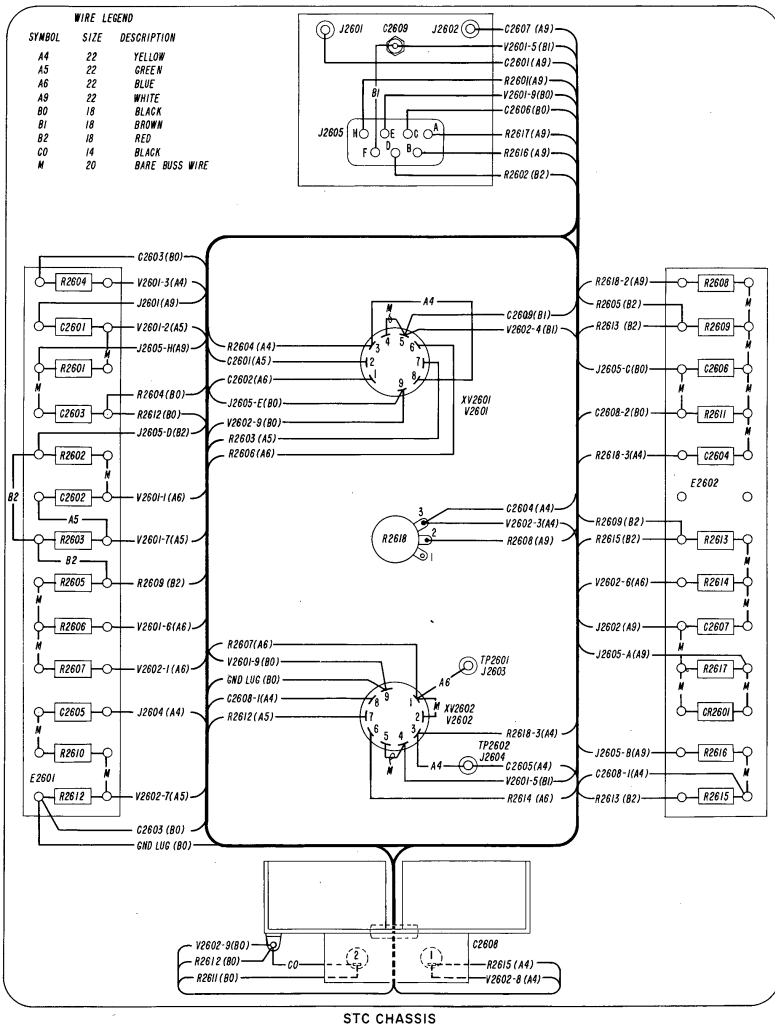


Figure 6-71. Radar Receiver R-872/SPS-29, STC Chassis and I-F Preamp, Wiring Diagram

ORIGINAL

CONFIDENTIAL

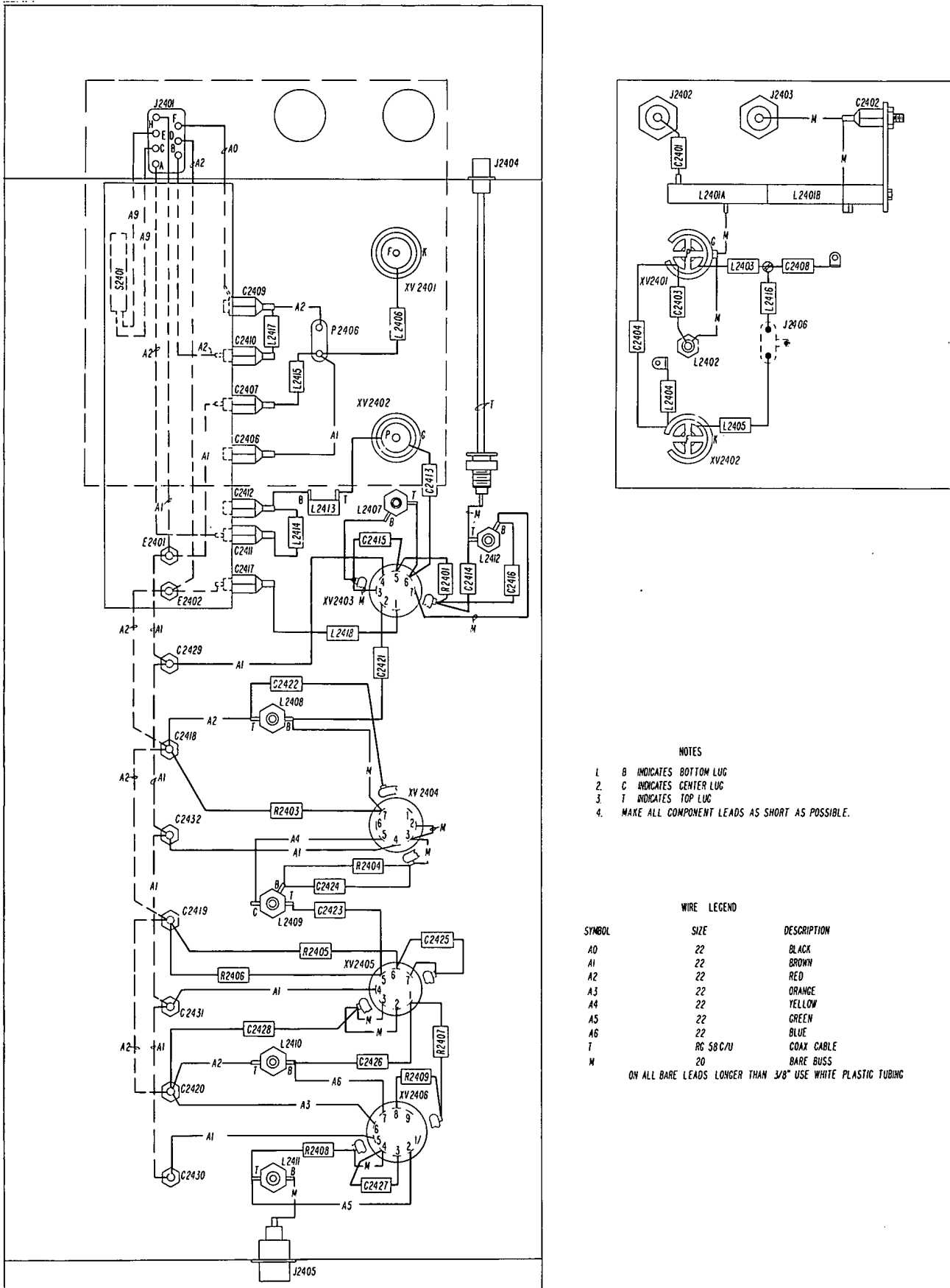
CONFIDENTIAL

6-147  
6-148

AN/SPS-29  
REPAIR

CONFIDENTIAL  
NAVSHIPS 93154(A)

Figure  
6-72



- NOTES
1. B INDICATES BOTTOM LUG
  2. C INDICATES CENTER LUG
  3. T INDICATES TOP LUG
  4. MAKE ALL COMPONENT LEADS AS SHORT AS POSSIBLE.

WIRE LEGEND

SYMBOL	SIZE	DESCRIPTION
A0	22	BLACK
A1	22	BROWN
A2	22	RED
A3	22	ORANGE
A4	22	YELLOW
A5	22	GREEN
A6	22	BLUE
T	RG 58C/U	COAX CABLE
M	20	BARE BUSS

ON ALL BARE LEADS LONGER THAN 3/8" USE WHITE PLASTIC TUBING

Figure 6-72. Radar Receiver R-872/SPS-29, R-F Amplifier, Wiring Diagram

ORIGINAL

CONFIDENTIAL

6-149  
6-150

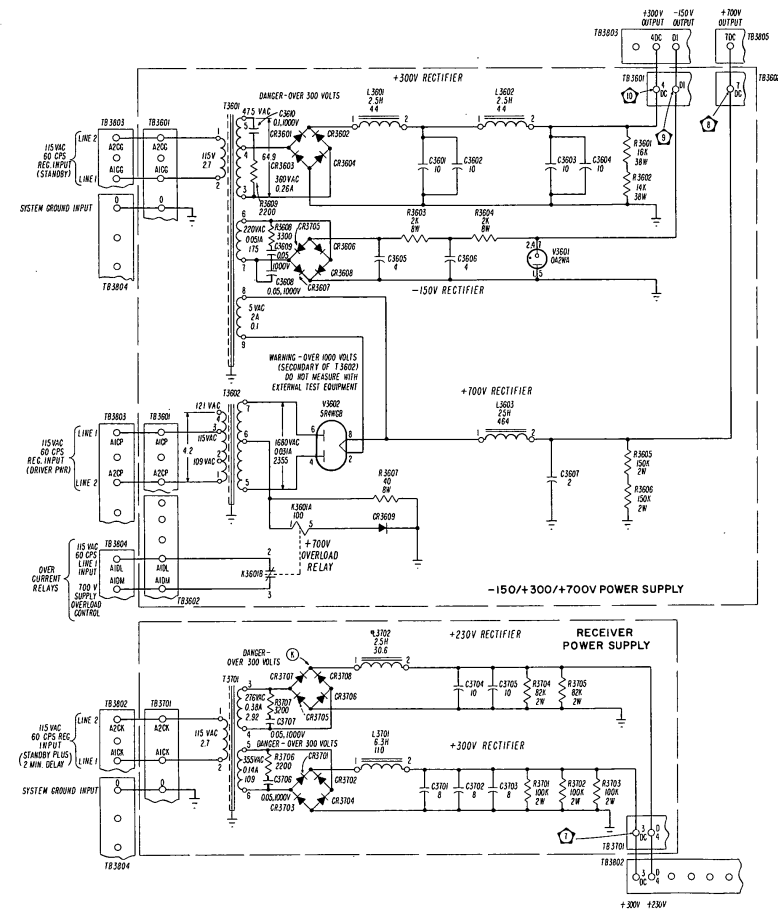


AN/SPS-29  
REPAIR

CONFIDENTIAL  
NAVSHIPS 93154(A)

CONFIDENTIAL  
NAVSHIPS 93154(A)

Figure  
6-74



NOTES  
 UNLESS OTHERWISE STATED:  
 ALL RESISTANCE VALUES ARE IN OHMS.  
 K- INDICATES THOUSANDS OF OHMS.  
 MEG- INDICATES MILLIONS OF OHMS.  
 ALL RESISTORS ARE 1/2 WATT.  
 ALL CAPACITANCE VALUES ARE IN MICROFARADS.  
 ALL INDUCTANCE VALUES ARE IN HENRIES (H).  
 ALL VOLTAGES ARE D-C.  
 NUMBERS INDICATING TO WHOLE NUMBERS INDICATE D-C RESISTANCE.  
 DOTTED LINES INDICATE MECHANICAL LINKAGE.  
 ALL RELAYS ARE SHOWN DEENERGIZED.  
 D-C VOLTAGES ARE MEASURED WITH A 1000-OHM-PER-VOLT METER.  
 D-C VOLTAGES ARE MEASURED TO GROUND WITH A 20,000 OHM-PER-VOLT METER.  
 ALL INTERCONNECTION IS MADE TO DISTRIBUTION BOX, J-972/SPS-29

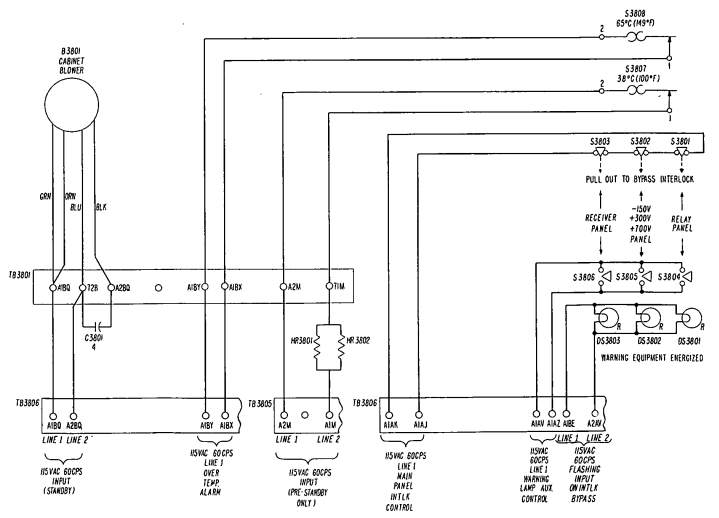
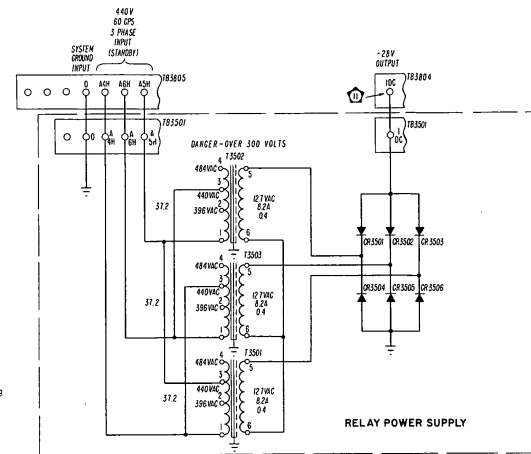


Figure 6-74. Power Supply Assembly PP-2033/SPS-29, Schematic Diagram

ORIGINAL

CONFIDENTIAL

CONFIDENTIAL

6-153

6-154



AN/SPS-29  
REPAIR

CONFIDENTIAL  
NAVSHIPS 93154(A)

CONFIDENTIAL  
NAVSHIPS 93154(A)

Figure  
6-75

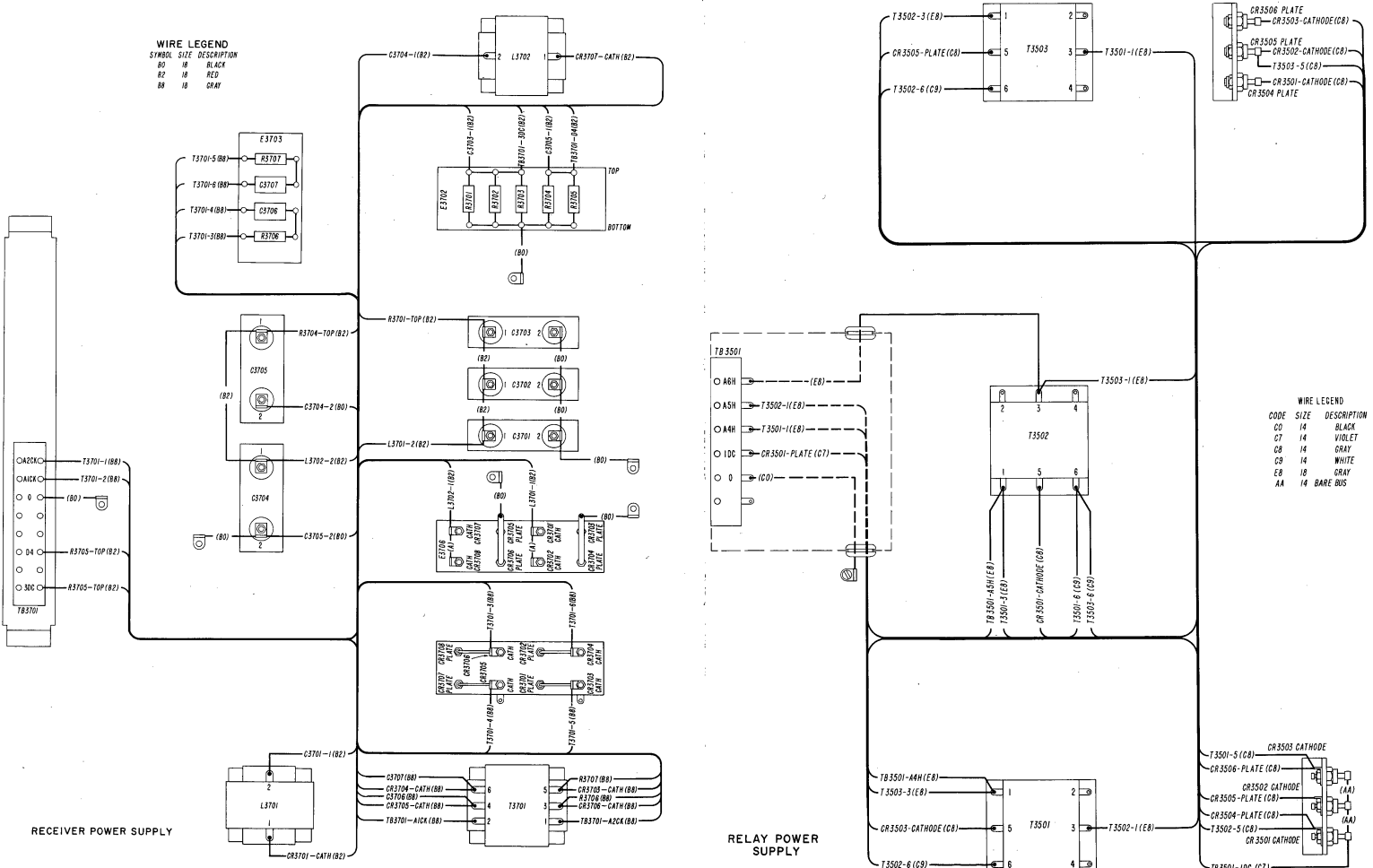


Figure 6-75. Power Supply Assembly PP-2033/SPS-29, Receiver Power Supply and Relay Power Supply, Wiring Diagram

ORIGINAL

CONFIDENTIAL

CONFIDENTIAL

6-155

6-156

AN/SPS-29  
REPAIR

CONFIDENTIAL  
NAVSHIPS 93154(A)

CONFIDENTIAL  
NAVSHIPS 93154(A)

Figure  
6-76

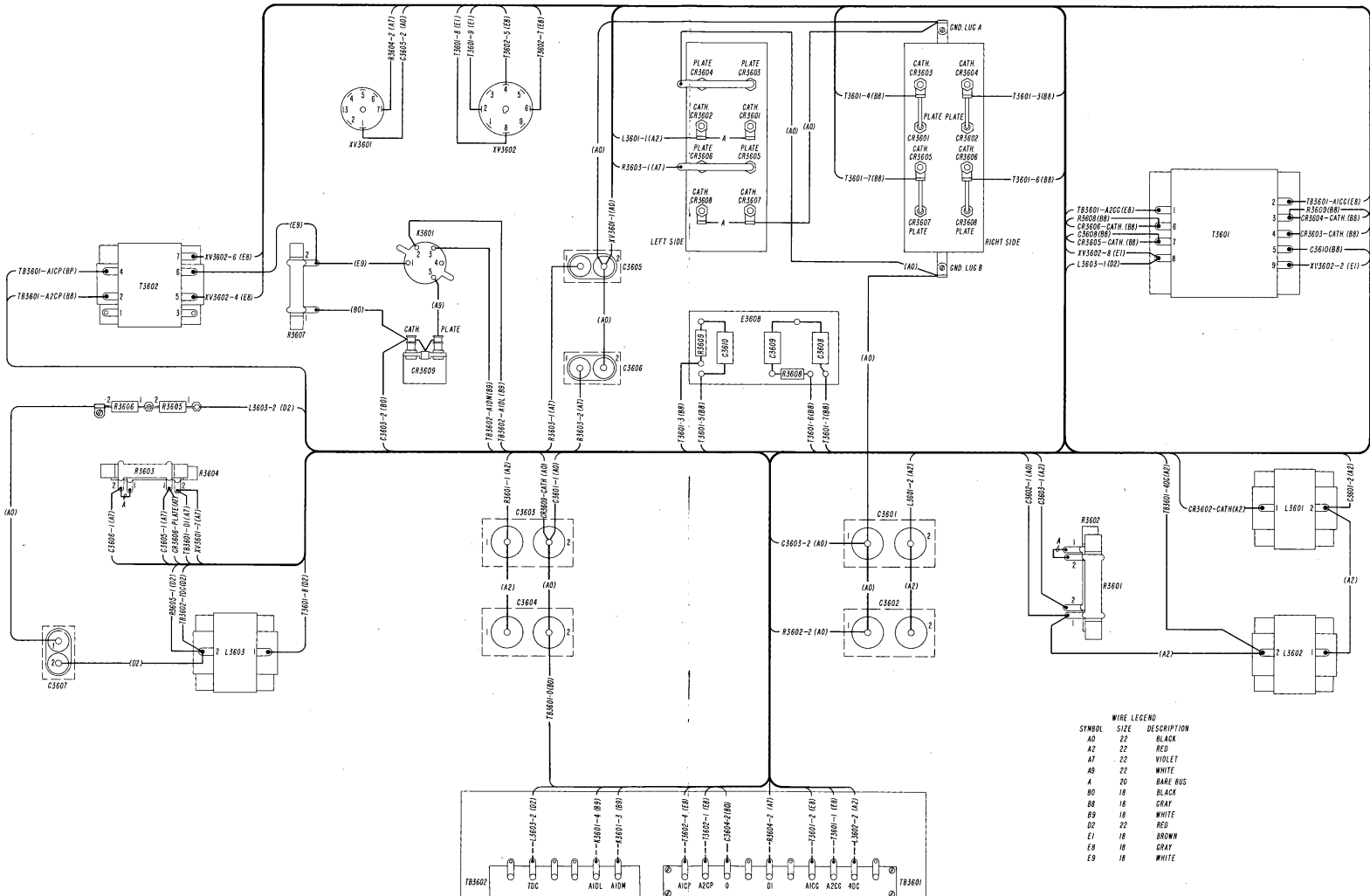


Figure 6-76. Power Supply Assembly PP-2033/SPS-29, -150 V/ +300 V/ +700 V Power Supply, Wiring Diagram

ORIGINAL

CONFIDENTIAL

CONFIDENTIAL

6-157

6-158

AN/SPS-29  
REPAIR

**CONFIDENTIAL**  
NAVSHIPS 93154(A)

**CONFIDENTIAL**  
NAVSHIPS 93154(A)

Figure  
6-77

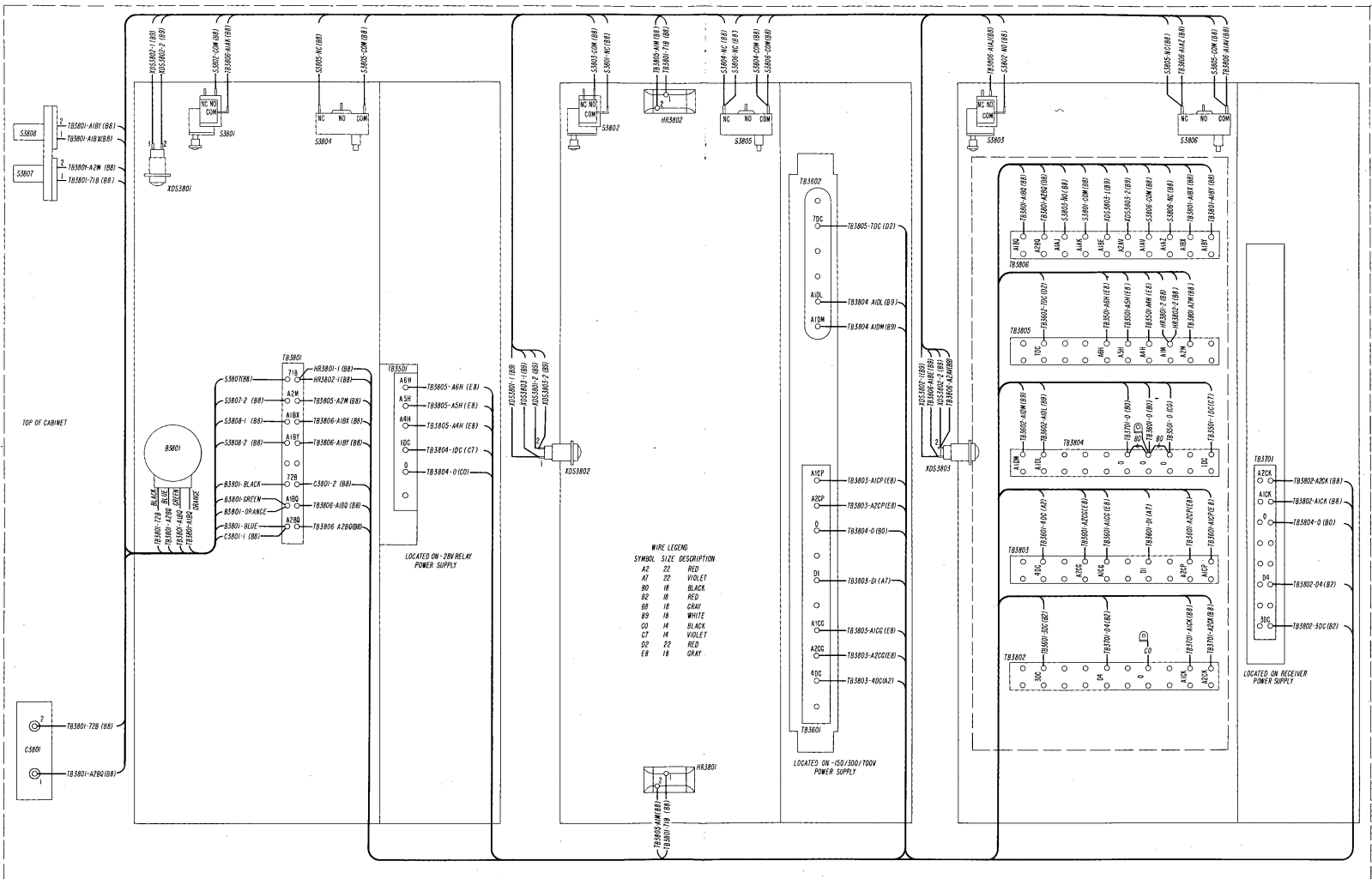


Figure 6-77. Power Supply Assembly PP-2033/SPS-29, Cabinet, Wiring Diagram

ORIGINAL

**CONFIDENTIAL**

**CONFIDENTIAL**

6-159  
6-160

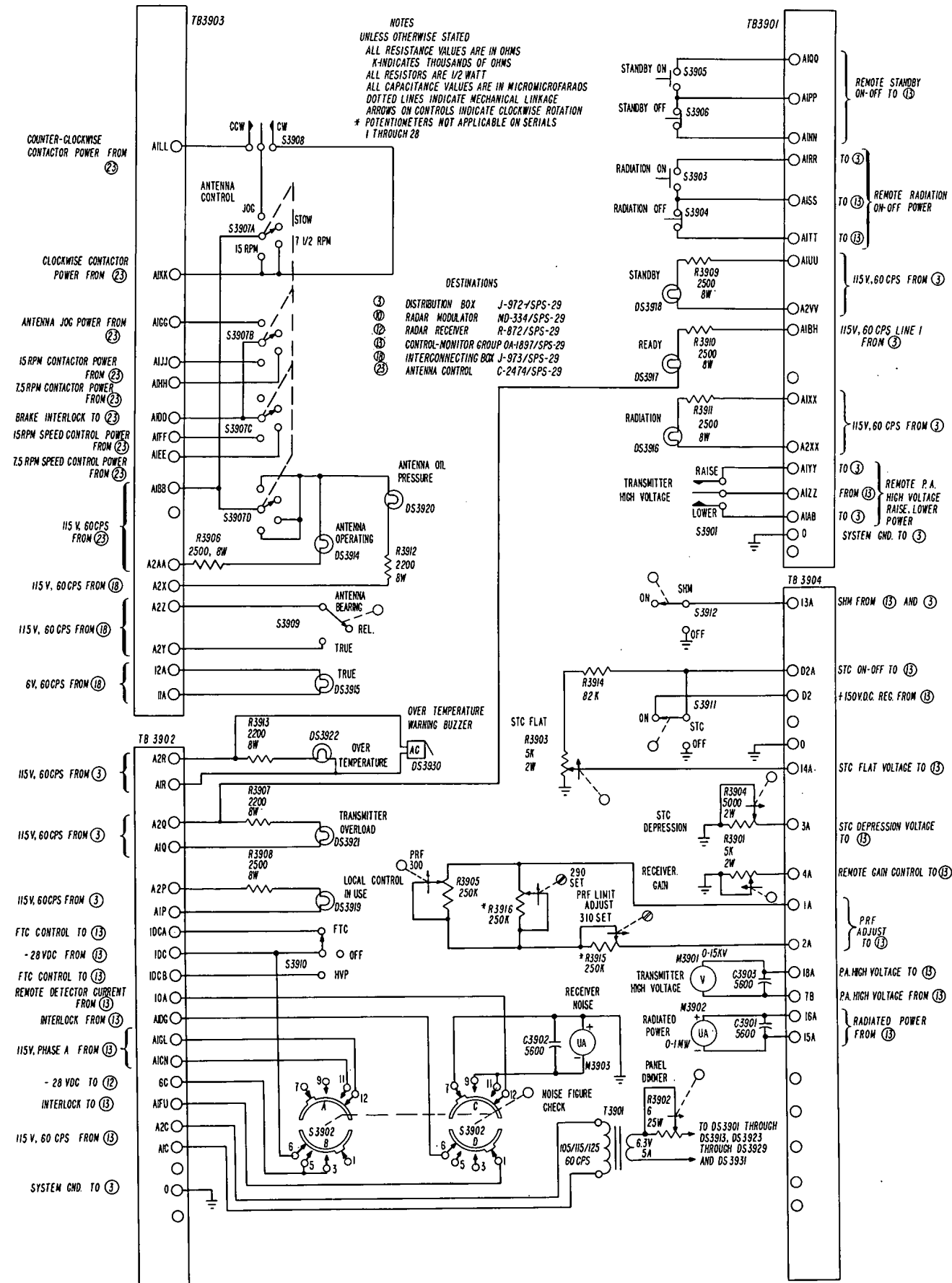


Figure 6-78. Radar Set Control C-2473/SPS-29, Schematic Diagram



CONFIDENTIAL

AN/SPS-29

COI Declassified and Approved For Release 2013/08/01 : CIA-RDP87B00341R000800140001-7

CONFIDENTIAL

CONFIDENTIAL

Figure 6-80

Ref. Design.	Location	Ref. Design.	Location	Ref. Design.	Location	Ref. Design.	Location
R4001	1B	CR-8015	2A	R4031	7C	R4118	2D
R4002	5C	CR-8016	2A	R4032	7B	R4119	2D
R4003	5C	CR-8017	2A	R4033	7B	R4120	2D
R4004	5C	CR-8018	2A	R4034	7B	R4121	2D
R4005	5C	CR-8019	2A	R4035	7B	R4122	2D
R4006	5C	CR-8020	2A	R4036	7B	R4123	2D
R4007	5C	CR-8021	2A	R4037	7B	R4124	2D
R4008	5C	CR-8022	2A	R4038	7B	R4125	2D
R4009	5C	CR-8023	2A	R4039	7B	R4126	2D
R4010	5C	CR-8024	2A	R4040	7B	R4127	2D
R4011	5C	CR-8025	2A	R4041	7B	R4128	2D
R4012	5C	CR-8026	2A	R4042	7B	R4129	2D
R4013	5C	CR-8027	2A	R4043	7B	R4130	2D
R4014	5C	CR-8028	2A	R4044	7B	R4131	2D
R4015	5C	CR-8029	2A	R4045	7B	R4132	2D
R4016	5C	CR-8030	2A	R4046	7B	R4133	2D
R4017	5C	CR-8031	2A	R4047	7B	R4134	2D
R4018	5C	CR-8032	2A	R4048	7B	R4135	2D
R4019	5C	CR-8033	2A	R4049	7B	R4136	2D
R4020	5C	CR-8034	2A	R4050	7B	R4137	2D
R4021	5C	CR-8035	2A	R4051	7B	R4138	2D
R4022	5C	CR-8036	2A	R4052	7B	R4139	2D
R4023	5C	CR-8037	2A	R4053	7B	R4140	2D
R4024	5C	CR-8038	2A	R4054	7B	R4141	2D
R4025	5C	CR-8039	2A	R4055	7B	R4142	2D
R4026	5C	CR-8040	2A	R4056	7B	R4143	2D
R4027	5C	CR-8041	2A	R4057	7B	R4144	2D
R4028	5C	CR-8042	2A	R4058	7B	R4145	2D
R4029	5C	CR-8043	2A	R4059	7B	R4146	2D
R4030	5C	CR-8044	2A	R4060	7B	R4147	2D
R4031	5C	CR-8045	2A	R4061	7B	R4148	2D
R4032	5C	CR-8046	2A	R4062	7B	R4149	2D
R4033	5C	CR-8047	2A	R4063	7B	R4150	2D
R4034	5C	CR-8048	2A	R4064	7B	R4151	2D
R4035	5C	CR-8049	2A	R4065	7B	R4152	2D
R4036	5C	CR-8050	2A	R4066	7B	R4153	2D
R4037	5C	CR-8051	2A	R4067	7B	R4154	2D
R4038	5C	CR-8052	2A	R4068	7B	R4155	2D
R4039	5C	CR-8053	2A	R4069	7B	R4156	2D
R4040	5C	CR-8054	2A	R4070	7B	R4157	2D
R4041	5C	CR-8055	2A	R4071	7B	R4158	2D
R4042	5C	CR-8056	2A	R4072	7B	R4159	2D
R4043	5C	CR-8057	2A	R4073	7B	R4160	2D
R4044	5C	CR-8058	2A	R4074	7B	R4161	2D
R4045	5C	CR-8059	2A	R4075	7B	R4162	2D
R4046	5C	CR-8060	2A	R4076	7B	R4163	2D
R4047	5C	CR-8061	2A	R4077	7B	R4164	2D
R4048	5C	CR-8062	2A	R4078	7B	R4165	2D
R4049	5C	CR-8063	2A	R4079	7B	R4166	2D
R4050	5C	CR-8064	2A	R4080	7B	R4167	2D
R4051	5C	CR-8065	2A	R4081	7B	R4168	2D
R4052	5C	CR-8066	2A	R4082	7B	R4169	2D
R4053	5C	CR-8067	2A	R4083	7B	R4170	2D
R4054	5C	CR-8068	2A	R4084	7B	R4171	2D
R4055	5C	CR-8069	2A	R4085	7B	R4172	2D
R4056	5C	CR-8070	2A	R4086	7B	R4173	2D
R4057	5C	CR-8071	2A	R4087	7B	R4174	2D
R4058	5C	CR-8072	2A	R4088	7B	R4175	2D
R4059	5C	CR-8073	2A	R4089	7B	R4176	2D
R4060	5C	CR-8074	2A	R4090	7B	R4177	2D
R4061	5C	CR-8075	2A	R4091	7B	R4178	2D
R4062	5C	CR-8076	2A	R4092	7B	R4179	2D
R4063	5C	CR-8077	2A	R4093	7B	R4180	2D
R4064	5C	CR-8078	2A	R4094	7B	R4181	2D
R4065	5C	CR-8079	2A	R4095	7B	R4182	2D
R4066	5C	CR-8080	2A	R4096	7B	R4183	2D
R4067	5C	CR-8081	2A	R4097	7B	R4184	2D
R4068	5C	CR-8082	2A	R4098	7B	R4185	2D
R4069	5C	CR-8083	2A	R4099	7B	R4186	2D
R4070	5C	CR-8084	2A	R4100	7B	R4187	2D
R4071	5C	CR-8085	2A	R4101	7B	R4188	2D
R4072	5C	CR-8086	2A	R4102	7B	R4189	2D
R4073	5C	CR-8087	2A	R4103	7B	R4190	2D
R4074	5C	CR-8088	2A	R4104	7B	R4191	2D
R4075	5C	CR-8089	2A	R4105	7B	R4192	2D
R4076	5C	CR-8090	2A	R4106	7B	R4193	2D
R4077	5C	CR-8091	2A	R4107	7B	R4194	2D
R4078	5C	CR-8092	2A	R4108	7B	R4195	2D
R4079	5C	CR-8093	2A	R4109	7B	R4196	2D
R4080	5C	CR-8094	2A	R4110	7B	R4197	2D
R4081	5C	CR-8095	2A	R4111	7B	R4198	2D
R4082	5C	CR-8096	2A	R4112	7B	R4199	2D
R4083	5C	CR-8097	2A	R4113	7B	R4200	2D
R4084	5C	CR-8098	2A	R4114	7B	R4201	2D
R4085	5C	CR-8099	2A	R4115	7B	R4202	2D
R4086	5C	CR-8100	2A	R4116	7B	R4203	2D
R4087	5C	CR-8101	2A	R4117	7B	R4204	2D
R4088	5C	CR-8102	2A	R4118	7B	R4205	2D
R4089	5C	CR-8103	2A	R4119	7B	R4206	2D
R4090	5C	CR-8104	2A	R4120	7B	R4207	2D
R4091	5C	CR-8105	2A	R4121	7B	R4208	2D
R4092	5C	CR-8106	2A	R4122	7B	R4209	2D
R4093	5C	CR-8107	2A	R4123	7B	R4210	2D
R4094	5C	CR-8108	2A	R4124	7B	R4211	2D
R4095	5C	CR-8109	2A	R4125	7B	R4212	2D
R4096	5C	CR-8110	2A	R4126	7B	R4213	2D
R4097	5C	CR-8111	2A	R4127	7B	R4214	2D
R4098	5C	CR-8112	2A	R4128	7B	R4215	2D
R4099	5C	CR-8113	2A	R4129	7B	R4216	2D
R4100	5C	CR-8114	2A	R4130	7B	R4217	2D
R4101	5C	CR-8115	2A	R4131	7B	R4218	2D
R4102	5C	CR-8116	2A	R4132	7B	R4219	2D
R4103	5C	CR-8117	2A	R4133	7B	R4220	2D
R4104	5C	CR-8118	2A	R4134	7B	R4221	2D
R4105	5C	CR-8119	2A	R4135	7B	R4222	2D
R4106	5C	CR-8120	2A	R4136	7B	R4223	2D
R4107	5C	CR-8121	2A	R4137	7B	R4224	2D
R4108	5C	CR-8122	2A	R4138	7B	R4225	2D
R4109	5C	CR-8123	2A	R4139	7B	R4226	2D
R4110	5C	CR-8124	2A	R4140	7B	R4227	2D
R4111	5C	CR-8125	2A	R4141	7B	R4228	2D
R4112	5C	CR-8126	2A	R4142	7B	R4229	2D
R4113	5C	CR-8127	2A	R4143	7B	R4230	2D
R4114	5C	CR-8128	2A	R4144	7B	R4231	2D
R4115	5C	CR-8129	2A	R4145	7B	R4232	2D
R4116	5C	CR-8130	2A	R4146	7B	R4233	2D
R4117	5C	CR-8131	2A	R4147	7B	R4234	2D
R4118	5C	CR-8132	2A	R4148	7B	R4235	2D
R4119	5C	CR-8133	2A	R4149	7B	R4236	2D
R4120	5C	CR-8134	2A	R4150	7B	R4237	2D
R4121	5C	CR-8135	2A	R4151	7B	R4238	2D
R4122	5C	CR-8136	2A	R4152	7B	R4239	2D
R4123	5C	CR-8137	2A	R4153	7B	R4240	2D
R4124	5C	CR-8138	2A	R4154	7B	R4241	2D
R4125	5C	CR-8139	2A	R4155	7B	R4242	2D
R4126	5C	CR-8140	2A	R4156	7B	R4243	2D
R4127	5C	CR-8141	2A	R4157	7B	R4244	2D
R4128	5C	CR-8142	2A	R4158	7B	R4245	2D
R4129	5C	CR-8143	2A	R4159	7B	R4246	2D
R4130	5C	CR-8144	2A	R4160	7B	R4247	2D
R4131	5C	CR-8145	2A	R4161	7B	R4248	2D
R4132	5C	CR-8146	2A	R4162	7B	R4249	2D
R4133	5C	CR-8147	2A	R4163	7B	R4250	2D
R4134	5C	CR-8148	2A	R4164	7B	R4251	2D
R4135	5C	CR-8149	2A	R4165	7B	R4252	2D
R4136	5C	CR-8150	2A	R4166	7B	R4253	2D
R4137	5C	CR-8151	2A	R4167	7B	R4254	2D
R4138	5C	CR-8152	2A	R4168	7B	R4255	2D
R4139	5C	CR-8153	2A	R4169	7B	R4256	2D
R4140	5C	CR-8154	2A	R4170	7B	R4257	2D
R4141	5C	CR-8155	2A	R4171	7B	R4258	2D
R4142	5C	CR-8156	2A	R4172	7B	R4259	2D
R4143	5C	CR-8157	2A	R4173	7B	R4260	2D
R4144	5C	CR-8158	2A	R4174	7B	R4261	2D
R4145	5C	CR-8159	2A	R4175	7B	R4262	2D
R4146	5C	CR-8160	2A	R4176	7B	R4263	2D
R4147	5C	CR-8161	2A	R4177	7B	R4264	2D
R4148	5C	CR-8162	2A	R4178	7B	R4265	2D
R4149	5C	CR-8163	2A	R4179	7B	R4266	2D
R4150	5C	CR-8164	2A	R4180	7B	R4267	2D
R4151	5C	CR-8165	2A	R4181	7B	R4268	2D
R4152	5C	CR-8166	2A	R4182	7B	R4269	2D
R4153	5C	CR-8167	2A	R4183	7B	R4270	2D
R4154	5C	CR-8168	2A	R4184	7B	R4271	2D
R4155	5C	CR-8169	2A	R4185	7B	R4272	2D
R4156	5C	CR-8170	2A	R4186	7B	R4273	2D
R4157	5C	CR-8171	2A	R4187	7B	R4274	2D
R4158	5C	CR-8172	2A	R4188	7B	R4275	2D
R4159	5C	CR-8173	2A	R4189	7B	R4276	2D
R4160	5C	CR-8174	2A	R4190	7B	R4277	2D
R4161	5C	CR-8175	2A	R4191	7B	R4278	2D
R4162	5C	CR-8176	2A	R4192	7B	R4279	2D
R4163	5C	CR-8177	2A	R4193	7B	R4280	2D
R4164	5C	CR-8178	2A	R4194	7B	R4281	2D
R4165	5C	CR-8179	2A	R4195	7B	R4282	2D
R4166	5C	CR-8180	2A	R4196	7B	R4283	2D
R4167	5C	CR-8181	2A	R4197	7B	R4284	2D
R4168	5C	CR-8182	2A	R4198	7B	R4285	2D
R4169	5C	CR-8183	2A	R4199	7B	R4286	2D</

AN/SPS-29  
REPAIR

CONFIDENTIAL  
NAVSHIPS 93154(A)

CONFIDENTIAL  
NAVSHIPS 93154(A)

Figure  
6-81

Declassified and Approved For Release 2013/08/01 : CIA-RDP67B00341R000800140001-7

SYMBOL	WIRE LEGEND	AB	22	GRAY	D7	22	VIOLET
AD	22	WHITE	22	WHITE	22	WHITE	22
AE	22	BLACK	22	BROWN	22	BROWN	22
AF	22	BROWN	22	GRAY	22	GRAY	22
AG	22	RED	22	BROWN	22	BROWN	22
AH	22	ORANGE	22	RED	22	RED	22
AI	22	YELLOW	22	ORANGE	22	ORANGE	22
	22	GREEN	22	YELLOW	22	YELLOW	22
	22	BLUE	22	GREEN	22	GREEN	22
	22	VIOLET	22	BLUE	22	BLUE	22

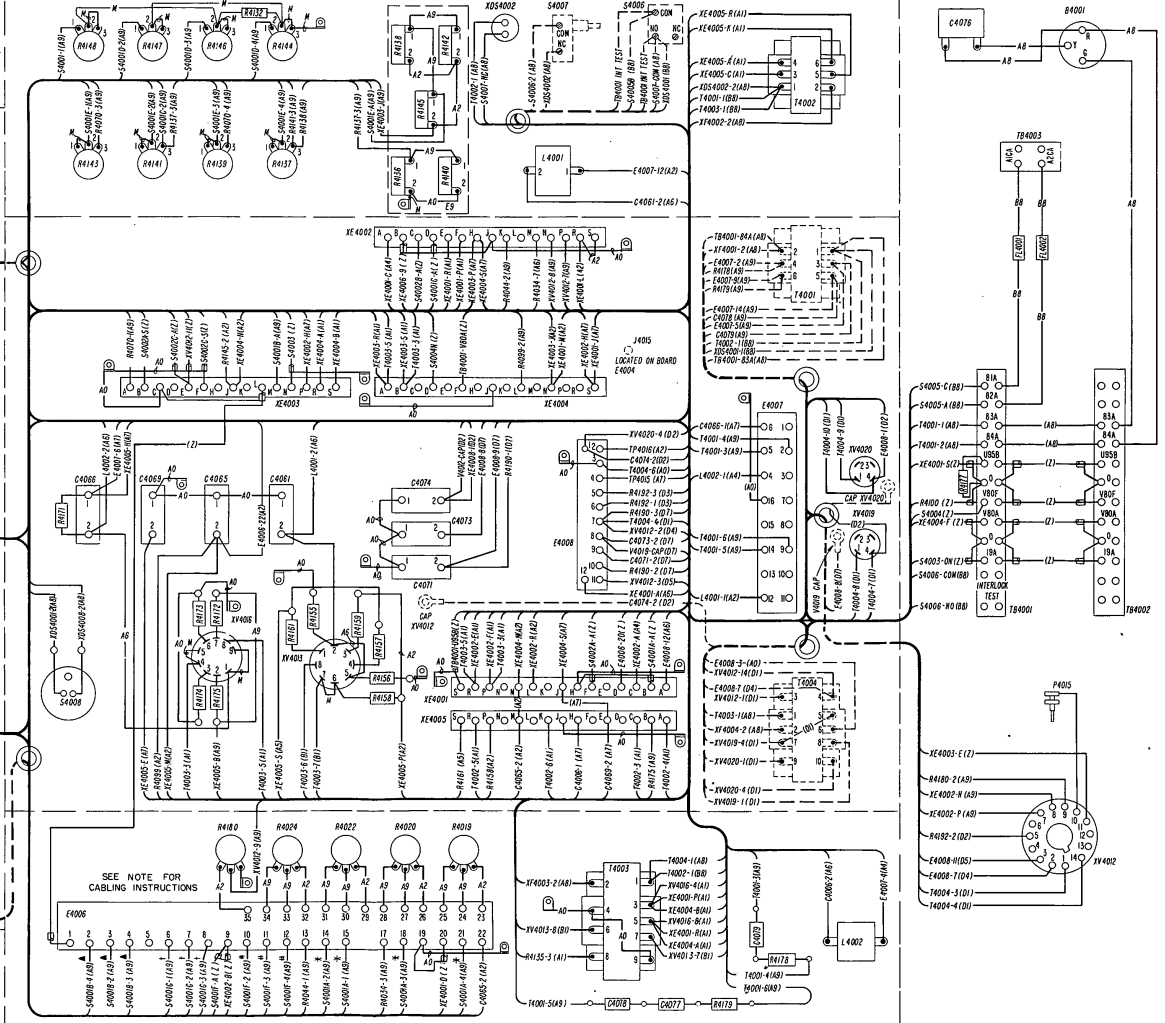


Figure 6-81. Range Indicator IP-452/SP, Wiring Diagram

ORIGINAL

CONFIDENTIAL

CONFIDENTIAL

6-167

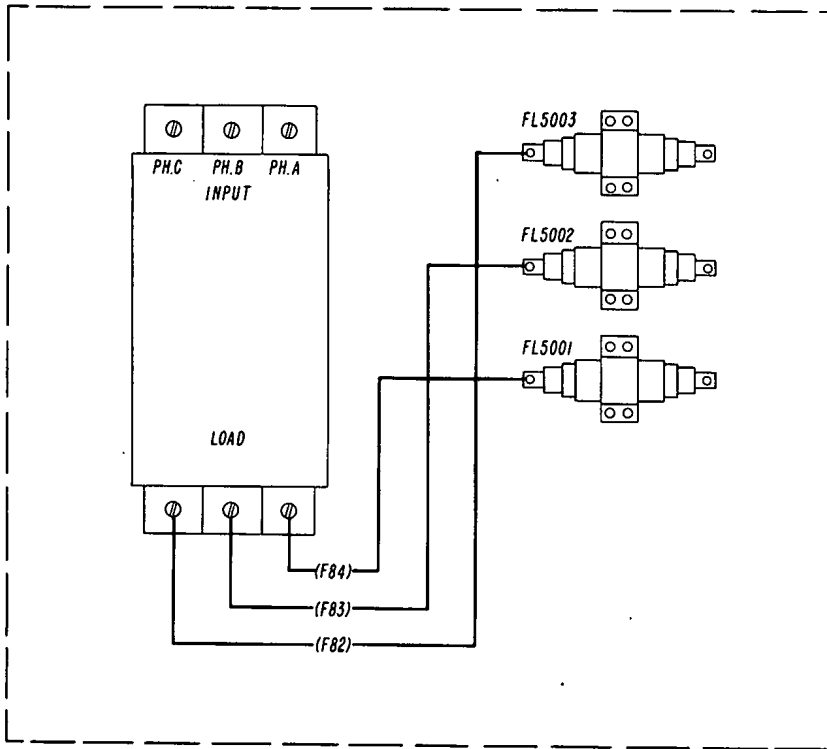
6-168

Declassified and Approved For Release 2013/08/01 : CIA-RDP67B00341R000800140001-7

**AN/SPS-29  
REPAIR**

**CONFIDENTIAL  
NAVSHIPS 93154(A)**

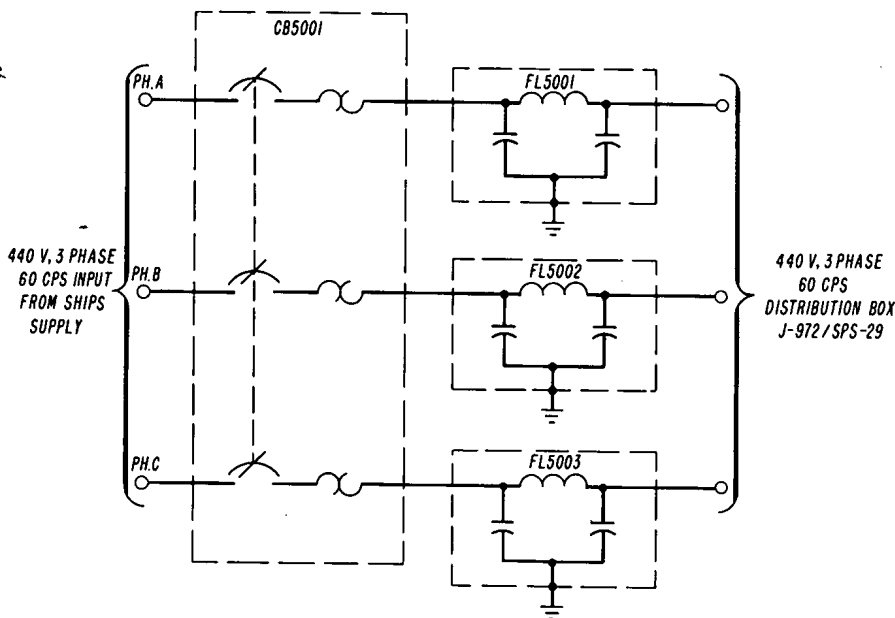
**Figure  
6-82**



**WIRING DIAGRAM**

**WIRE LEGEND**

SYMBOL	SIZE	DESCRIPTION
F82	10	GRAY WITH RED TRACER
F83	10	GRAY WITH ORANGE TRACER
F84	10	GRAY WITH YELLOW TRACER



**SCHEMATIC DIAGRAM**

**Figure 6-82. Circuit Breaker SA-591/SPS-29, Schematic and Wiring Diagram**

**ORIGINAL**

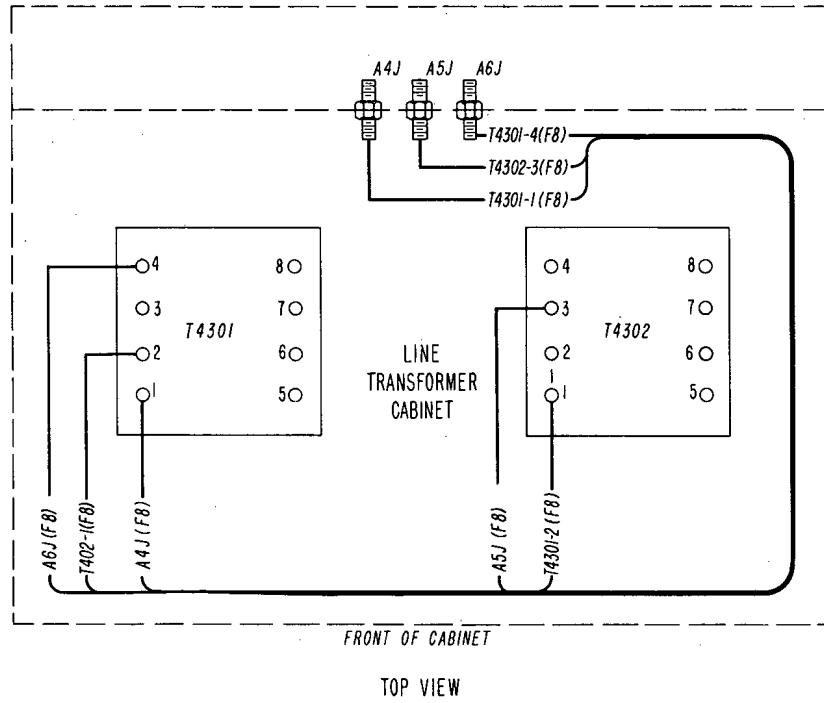
**CONFIDENTIAL**



AN/SPS-29  
REPAIR

CONFIDENTIAL  
NAVSHIPS 93154(A)

Figure  
6-83



WIRE LEGEND  
SYMBOL SIZE DESCRIPTION  
F8 10 GRAY

WIRING DIAGRAM

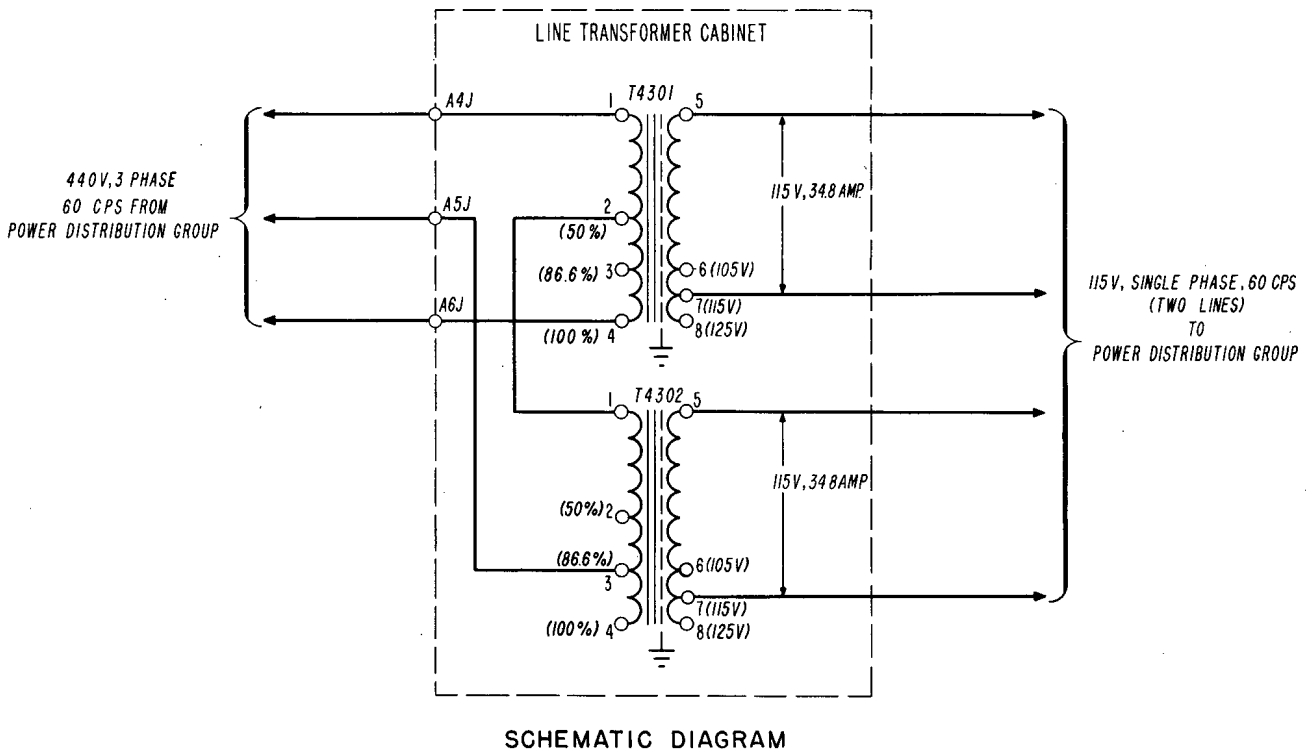


Figure 6-83. Step-Down Power Transformer TF-269/SPS-29, Schematic and Wiring Diagram

ORIGINAL

CONFIDENTIAL

6-171  
6-172



CONFIDENTIAL  
NAVSIPS 93154A1

AN/SP-9  
REPAIR

CONFIDENTIAL  
NAVSIPS 93154A1

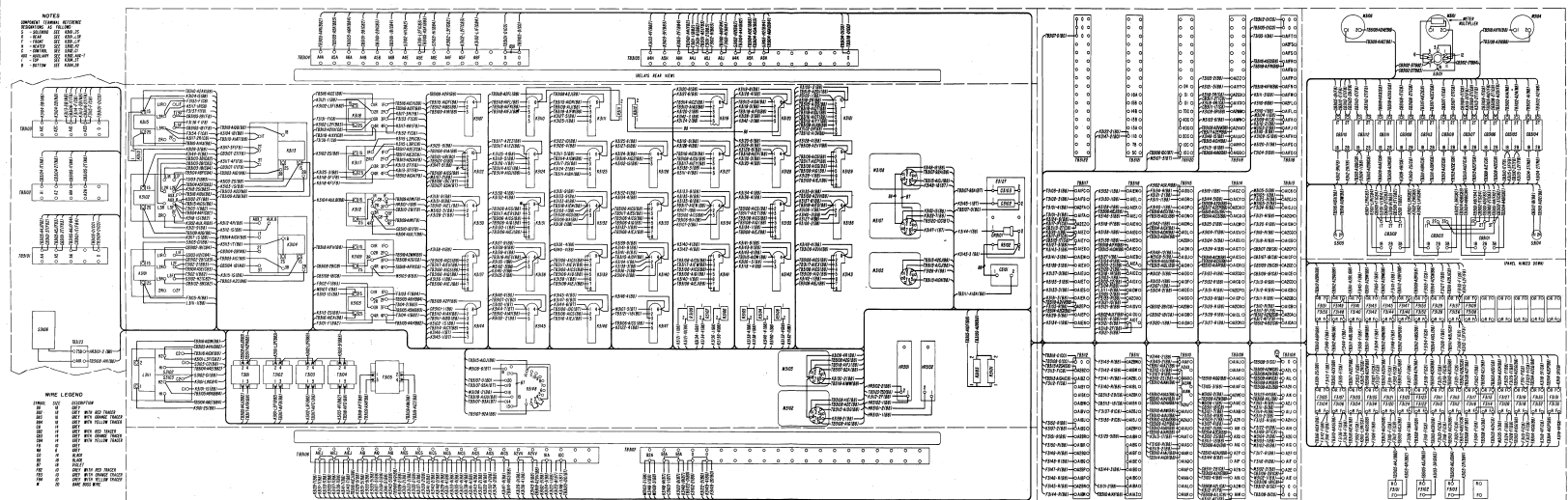
Declassified and Approved For Release 2013/08/01 : CIA-RDP87B00341R000800140001-7  
CONFIDENTIAL  
NAVSIPS 93154A1

CONFIDENTIAL  
NAVSIPS 93154A1

CONFIDENTIAL  
NAVSIPS 93154A1

Figure  
6-84

Ref.	Example	Ref.	Example	Ref.	Example
82000	228	82124	232	82208	236
82001	229	82125	233	82209	237
82002	230	82126	234	82210	238
82003	231	82127	235	82211	239
82004	232	82128	236	82212	240
82005	233	82129	237	82213	241
82006	234	82130	238	82214	242
82007	235	82131	239	82215	243
82008	236	82132	240	82216	244
82009	237	82133	241	82217	245
82010	238	82134	242	82218	246
82011	239	82135	243	82219	247
82012	240	82136	244	82220	248
82013	241	82137	245	82221	249
82014	242	82138	246	82222	250
82015	243	82139	247	82223	251
82016	244	82140	248	82224	252
82017	245	82141	249	82225	253
82018	246	82142	250	82226	254
82019	247	82143	251	82227	255
82020	248	82144	252	82228	256
82021	249	82145	253	82229	257
82022	250	82146	254	82230	258
82023	251	82147	255	82231	259
82024	252	82148	256	82232	260
82025	253	82149	257	82233	261
82026	254	82150	258	82234	262
82027	255	82151	259	82235	263
82028	256	82152	260	82236	264
82029	257	82153	261	82237	265
82030	258	82154	262	82238	266
82031	259	82155	263	82239	267
82032	260	82156	264	82240	268
82033	261	82157	265	82241	269
82034	262	82158	266	82242	270
82035	263	82159	267	82243	271
82036	264	82160	268	82244	272
82037	265	82161	269	82245	273
82038	266	82162	270	82246	274
82039	267	82163	271	82247	275
82040	268	82164	272	82248	276
82041	269	82165	273	82249	277
82042	270	82166	274	82250	278
82043	271	82167	275	82251	279
82044	272	82168	276	82252	280
82045	273	82169	277	82253	281
82046	274	82170	278	82254	282
82047	275	82171	279	82255	283
82048	276	82172	280	82256	284
82049	277	82173	281	82257	285
82050	278	82174	282	82258	286
82051	279	82175	283	82259	287
82052	280	82176	284	82260	288
82053	281	82177	285	82261	289
82054	282	82178	286	82262	290
82055	283	82179	287	82263	291
82056	284	82180	288	82264	292
82057	285	82181	289	82265	293
82058	286	82182	290	82266	294
82059	287	82183	291	82267	295
82060	288	82184	292	82268	296
82061	289	82185	293	82269	297
82062	290	82186	294	82270	298
82063	291	82187	295	82271	299
82064	292	82188	296	82272	300
82065	293	82189	297	82273	301
82066	294	82190	298	82274	302
82067	295	82191	299	82275	303
82068	296	82192	300	82276	304
82069	297	82193	301	82277	305
82070	298	82194	302	82278	306
82071	299	82195	303	82279	307
82072	300	82196	304	82280	308
82073	301	82197	305	82281	309
82074	302	82198	306	82282	310
82075	303	82199	307	82283	311
82076	304	82200	308	82284	312
82077	305	82201	309	82285	313
82078	306	82202	310	82286	314
82079	307	82203	311	82287	315
82080	308	82204	312	82288	316
82081	309	82205	313	82289	317
82082	310	82206	314	82290	318
82083	311	82207	315	82291	319
82084	312	82208	316	82292	320
82085	313	82209	317	82293	321
82086	314	82210	318	82294	322
82087	315	82211	319	82295	323
82088	316	82212	320	82296	324
82089	317	82213	321	82297	325
82090	318	82214	322	82298	326
82091	319	82215	323	82299	327
82092	320	82216	324	82300	328
82093	321	82217	325	82301	329
82094	322	82218	326	82302	330
82095	323	82219	327	82303	331
82096	324	82220	328	82304	332
82097	325	82221	329	82305	333
82098	326	82222	330	82306	334
82099	327	82223	331	82307	335
82100	328	82224	332	82308	336
82101	329	82225	333	82309	337
82102	330	82226	334	82310	338
82103	331	82227	335	82311	339
82104	332	82228	336	82312	340
82105	333	82229	337	82313	341
82106	334	82230	338	82314	342
82107	335	82231	339	82315	343
82108	336	82232	340	82316	344
82109	337	82233	341	82317	345
82110	338	82234	342	82318	346
82111	339	82235	343	82319	347
82112	340	82236	344	82320	348
82113	341	82237	345	82321	349
82114	342	82238	346	82322	350
82115	343	82239	347	82323	351
82116	344	82240	348	82324	352
82117	345	82241	349	82325	353
82118	346	82242	350	82326	354
82119	347	82243	351	82327	355
82120	348	82244	352	82328	356
82121	349	82245	353	82329	357
82122	350	82246	354	82330	358
82123	351	82247	355	82331	359
82124	352	82248	356	82332	360
82125	353	82249	357	82333	361
82126	354	82250	358	82334	362
82127	355	82251	359	82335	363
82128	356	82252	360	82336	364
82129	357	82253	361	82337	365
82130	358	82254	362	82338	366
82131	359	82255	363	82339	367
82132	360	82256	364	82340	368
82133	361	82257	365	82341	369
82134	362	82258	366	82342	370
82135	363	82259	367	82343	371
82136	364	82260	368	82344	372
82137	365	82261	369	82345	373
82138	366	82262	370	82346	374
82139	367	82263	371	82347	375
82140	368	82264	372	82348	376
82141	369	82265	373	82349	377
82142	370	82266	374	82350	378
82143	371	82267	375	82351	379
82144	372	82268	376	82352	380
82145	373	82269	377	82353	381
82146	374	82270	378	82354	382
82147	375	82271	379	82355	383
82148	376	82272	380	82356	384
82149	377	82273	381	82357	385
82150	378	82274	382	82358	386
82151	379	82275	383	82359	387
82152	380	82276	384	82360	388
82153	381	82277	385	82361	389
82154	382	82278	386	82362	390
82155	383	82279	387	82363	391
82156	384	82280	388	82364	392
82157	385	82281	389	82365	393
82158	386	82282	390	82366	394
82159	387	82283	391	82367	395
82160	388	82284	392	82368	396
82161	389	82285	393	82369	397
82162	390	82286	394	82370	398
82163	391	82287	395	82371	399
82164	392	82288	396	82372	400
82165	393	82289	397	82373	401
82166	394	82290	398	82374	402
82167	395	82291	399	82375	403
82168	396	82292	400	82376	404
82169	397	82293	401	82377	405
82170	398	82294	402	82378	406
82171	399	82295	403	82379	407
82172	400	82296	404	82380	408
82173	401	82297	405	82381	409
82174	402	82298	406	82382	410
82175	403	82299	407	82383	411
82176	404	82300	408	82384	412
82177	405	82301	409	82385	413
82178	406	82302	410	82386	414
82179	407	82303	411	82387	415
82180	408	82304	412	82388	416
82181	409	82305	413	82389	417
82182	410	82306	414	82390	418
82183	411	82307	415	82391	419
82184	412	82308	416	82392	420
82185	413	82309	417	82393	421
82186	414	82310	418	82394	422
82187	415	82311	419	82395	423
82188	416	82312	420	82396	424
82189	417	82313	421	82397	425
82190	418	82314	422	82398	426
82191	419	82315	423	82399	427
82192	420	82316	424	82400	428
82193	421	82317	425	82401	429
82194	422	82318	426	82402	430
82195	423	82319	427	82403	431
82196	424	82320	428	82404	432
82197	425	82321	429	82405	433
82198	426	82322	430	82406	434
82199	427	82323	431	82407	435
82200	428	82324	432	82408	436
82201	429	82325	433	82409	437
82202	430	82326	434	82410	438
82203	431	82327	435	82411	439
82204	432	82328	436	82412	440
82205	433	82329	437		



CONFIDENTIAL  
NAVSHIPS 93154(A)

CONFIDENTIAL  
NAVSHIPS 93154(A)

Declassified and Approved For Release 2013/08/01 : CIA-RDP67B00341R000800140001-7

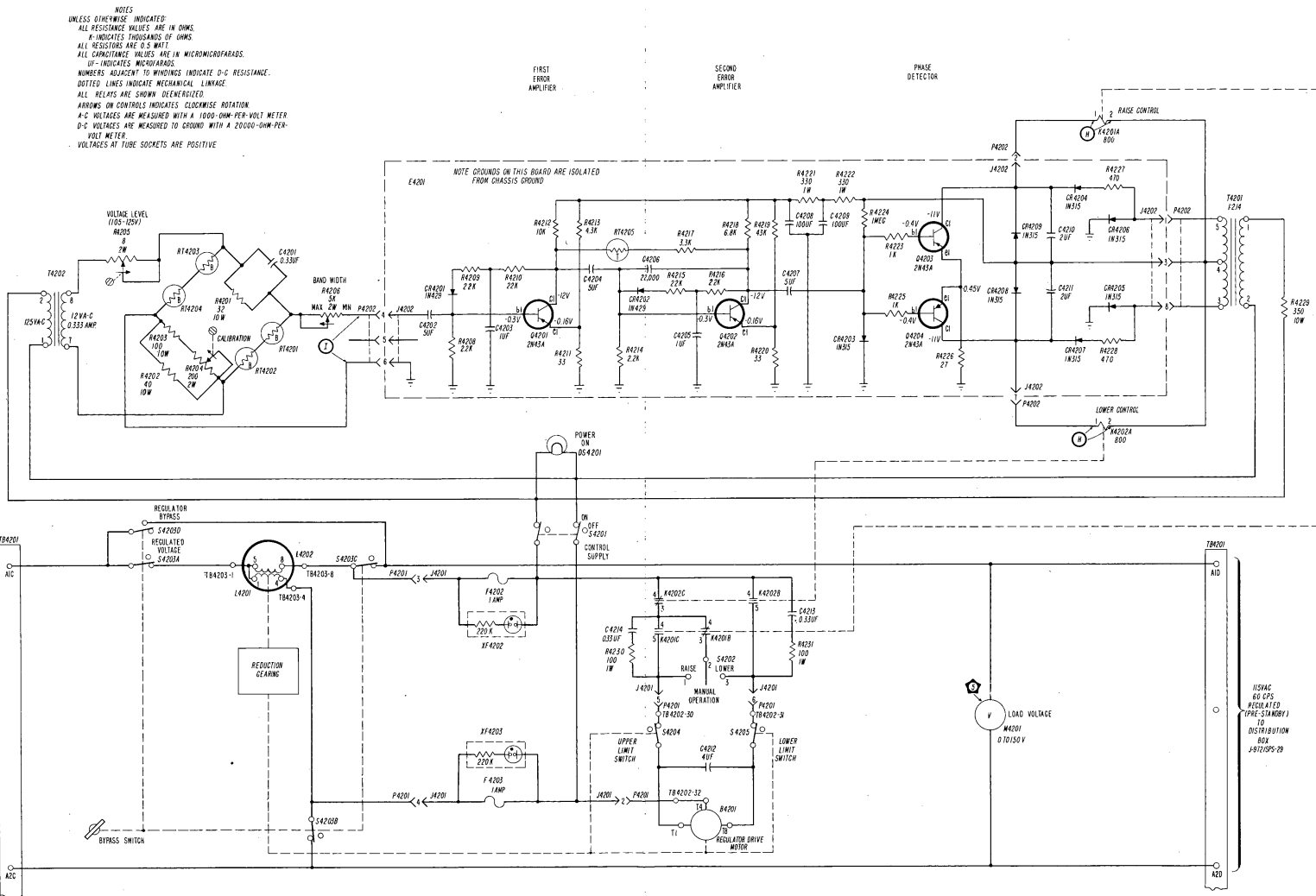


Figure 6-86. Voltage Regulator CN-493/U, Schematic Diagram

CONFIDENTIAL

CONFIDENTIAL

Declassified and Approved For Release 2013/08/01 : CIA-RDP67B00341R000800140001-7

AN/SPS-29  
REPAIR

CONFIDENTIAL  
NAVSHIPS 93154(A)

CONFIDENTIAL  
NAVSHIPS 93154(A)

Figure  
6-87

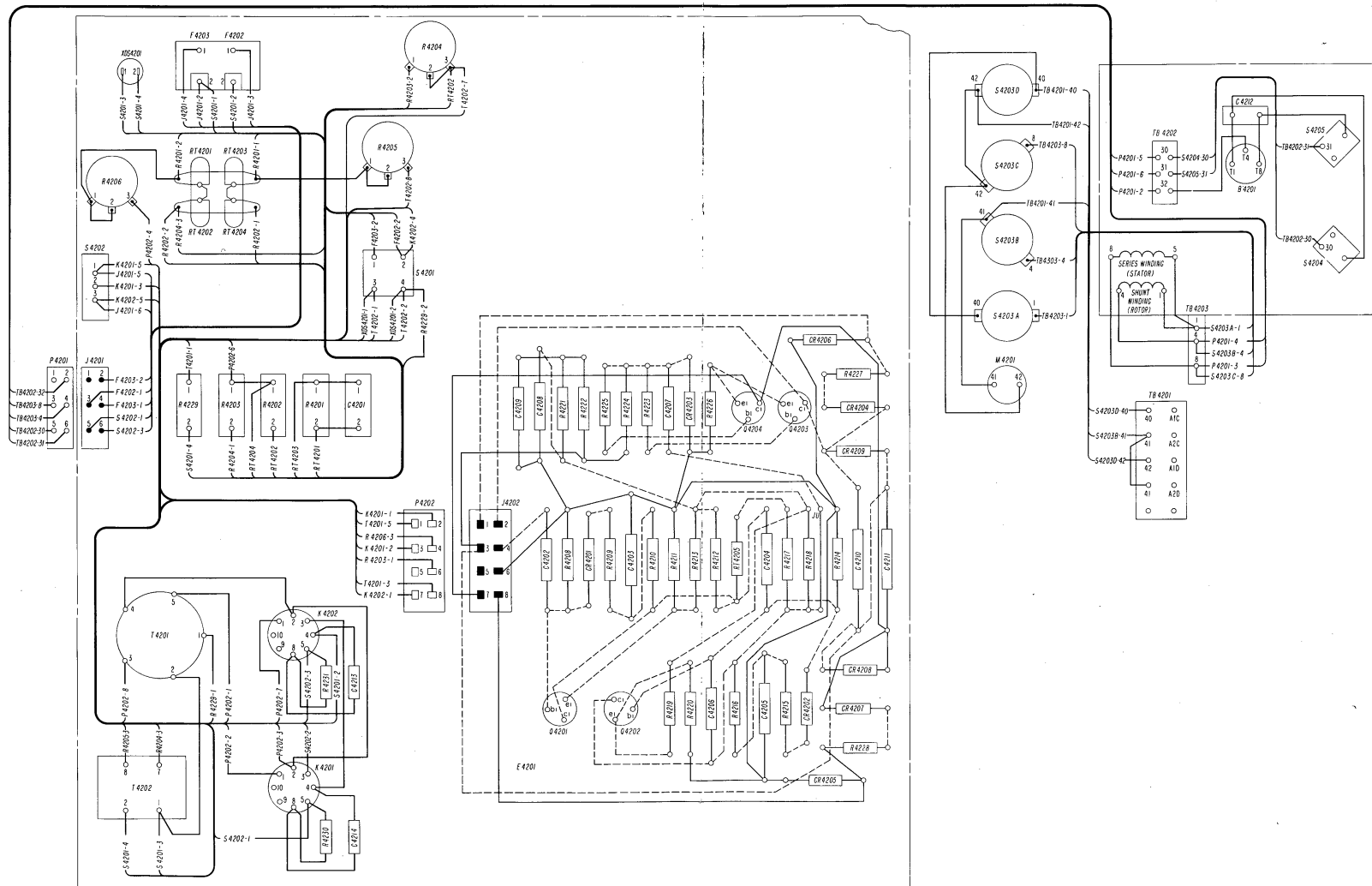


Figure 6-87. Voltage Regulator CN-493/U, Wiring Diagram

ORIGINAL

CONFIDENTIAL

CONFIDENTIAL

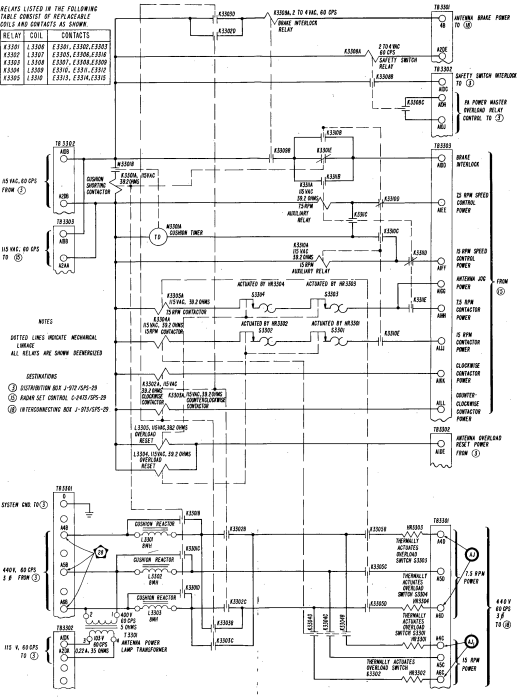
6-181  
6-182



CONFIDENTIAL

AN/SPS-29 REPAIR

CONFIDENTIAL NAVSHIPS 93154(A)

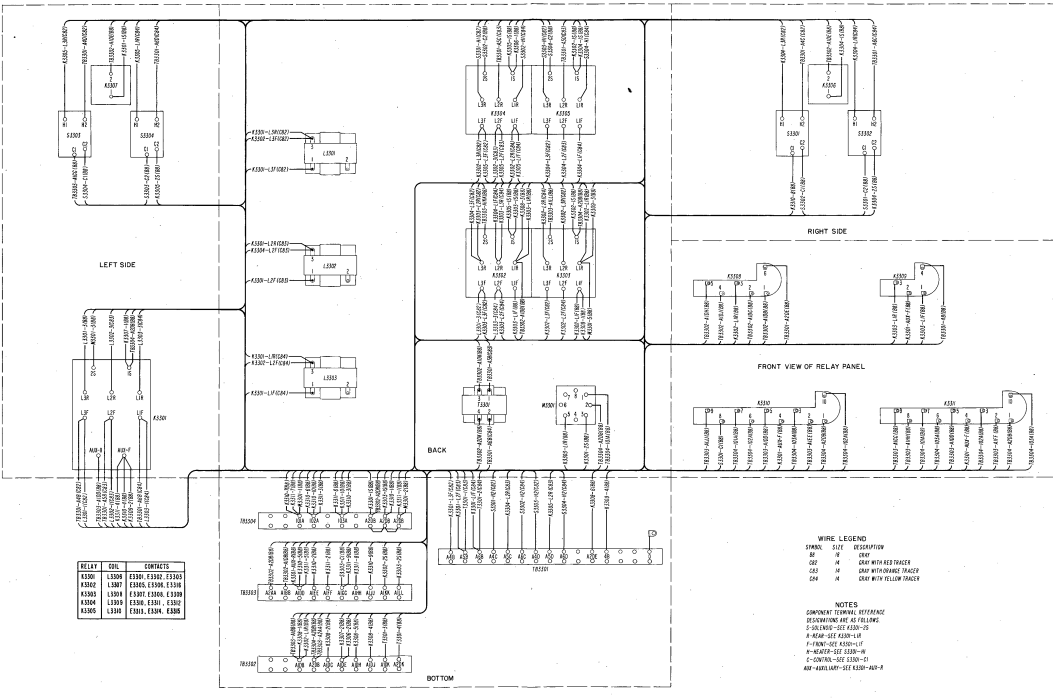


ORIGINAL

CONFIDENTIAL

Declassified and Approved For Release 2013/08/01 : CIA-RDP67B00341R000800140001-7

CONFIDENTIAL NAVSHIPS 93154(A)





AN/SPS-29  
REPAIR

CONFIDENTIAL  
NAVSHIPS 93154(A)

CONFIDENTIAL  
NAVSHIPS 93154(A)

Figure  
6-90

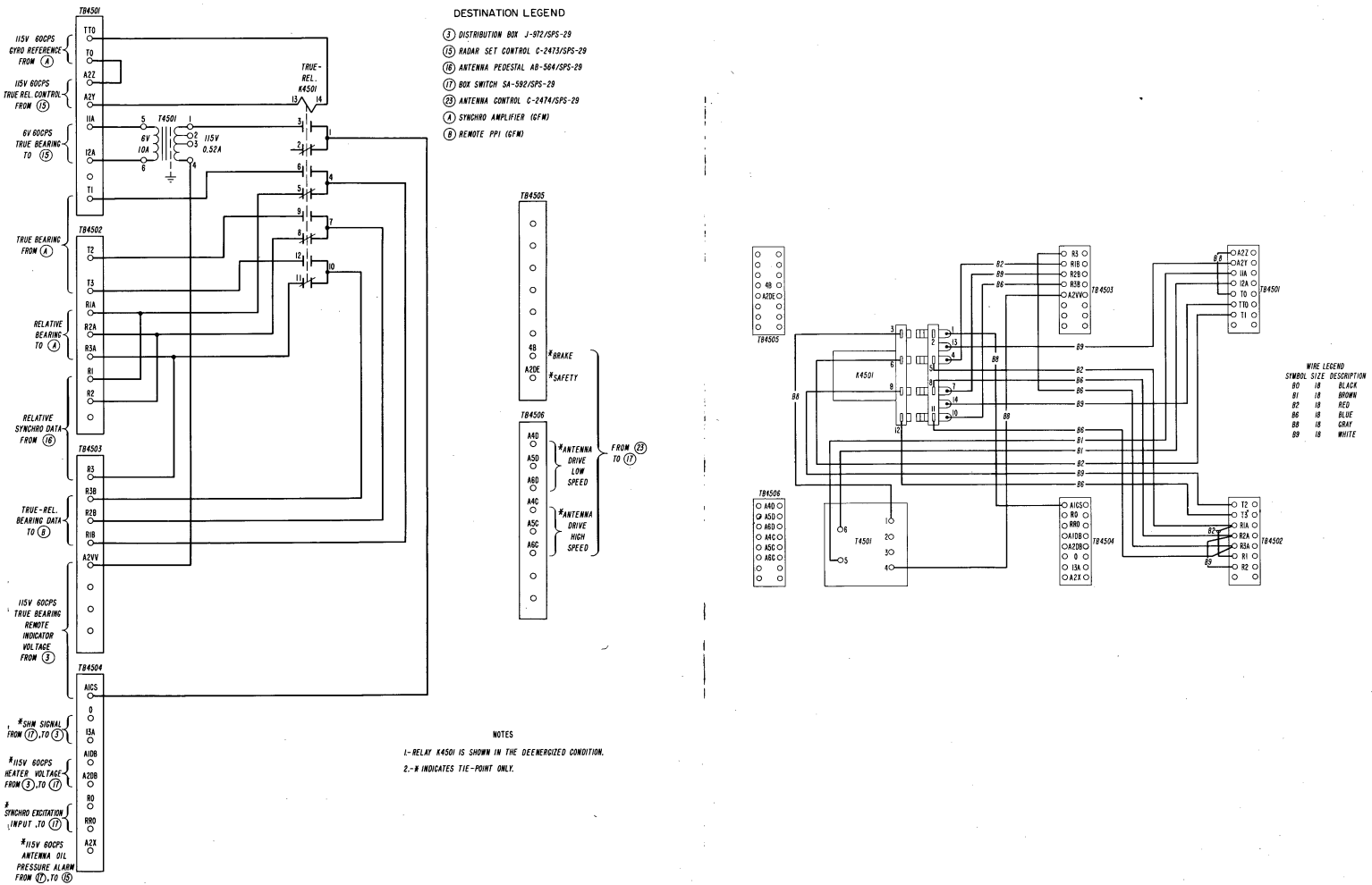


Figure 6-90. Interconnecting Box J-973/SPS-29, Schematic and Wiring Diagram

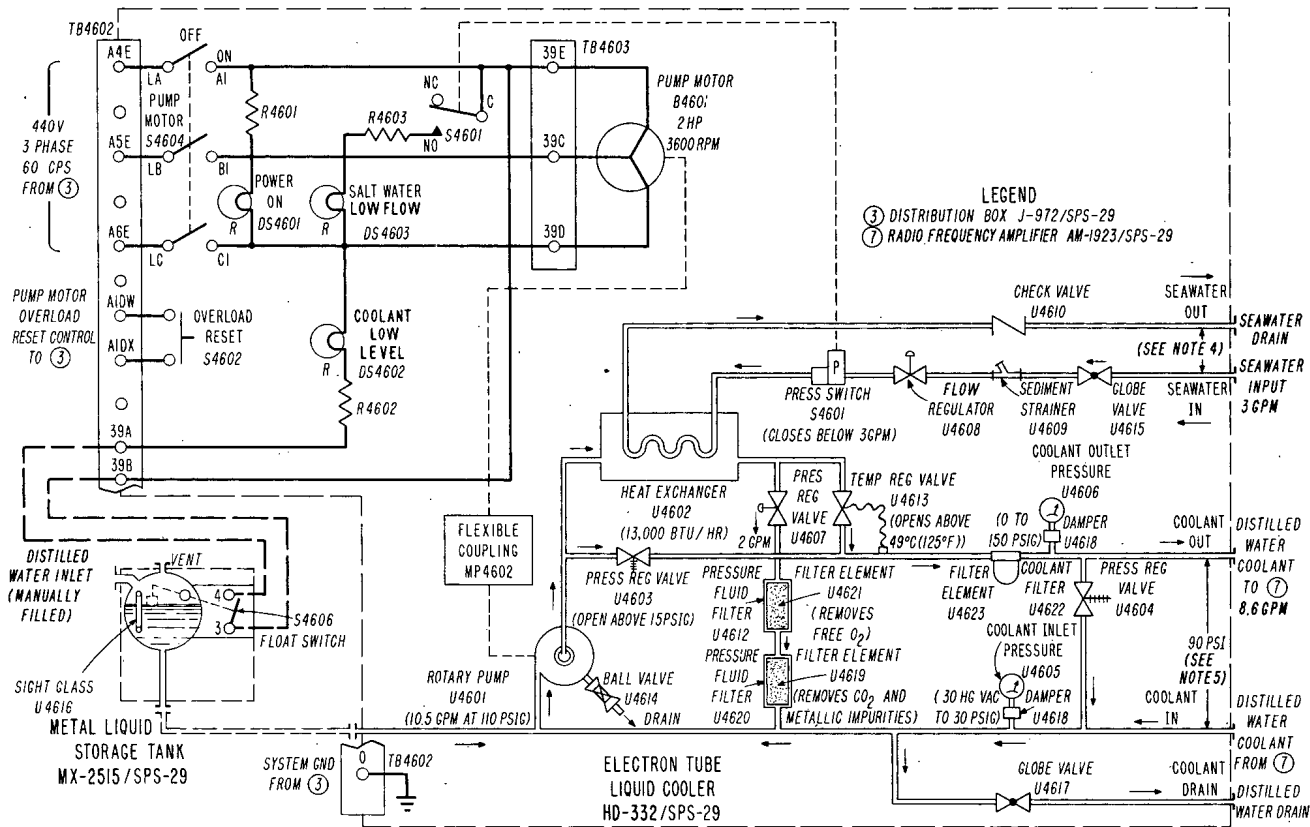
ORIGINAL

CONFIDENTIAL

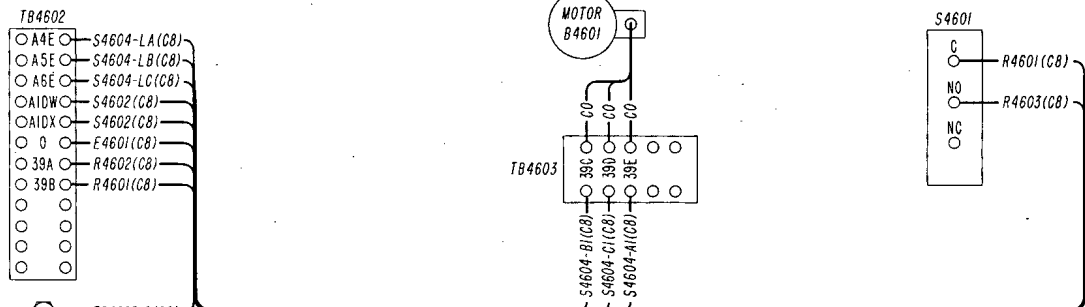
CONFIDENTIAL

6-187  
6-188



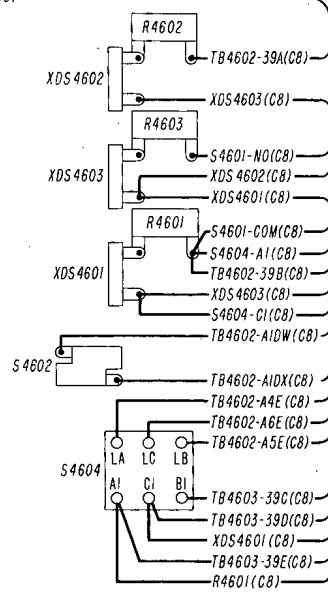


SCHEMATIC DIAGRAM



WIRE LEGEND

CODE	SIZE	DESCRIPTION
CO	14	BLACK
CB	14	GRAY



- NOTES
1. ALL RESISTORS ARE 7.5K, 20W
  2. — ELECTRICAL INTERCONNECTION SUPPLIED  
 == HYDRAULIC } BY INSTALLING ACTIVITY
  3. — MECHANICAL LINKAGE
  4. ACTUAL PRESSURE DROP ACROSS SEAWATER DRAIN AND SEAWATER INPUT CONNECTIONS DEPENDS ON SETTING OF FLOW REGULATOR U4608 AND CONDITION OF SEDIMENT STRAINER U4609
  5. 90 PSI IS A TYPICAL PRESSURE DROP ACROSS COOLANT OUT AND COOLANT IN CONNECTIONS. ACTUAL PRESSURE DROP DEPENDS ON DESIGN OF UNIT HYDRAULIC INTERCONNECTION.

WIRING DIAGRAM

Figure 6-92. Electron Tube Liquid Cooler HD-332/SPS-29 and Metal Liquid Storage Tank MX-2515/SPS-29, Schematic and Wiring Diagram