

Figure 7-138. Modulator, CAY-50AGU, Serial #51 and above, Schematic Diagram

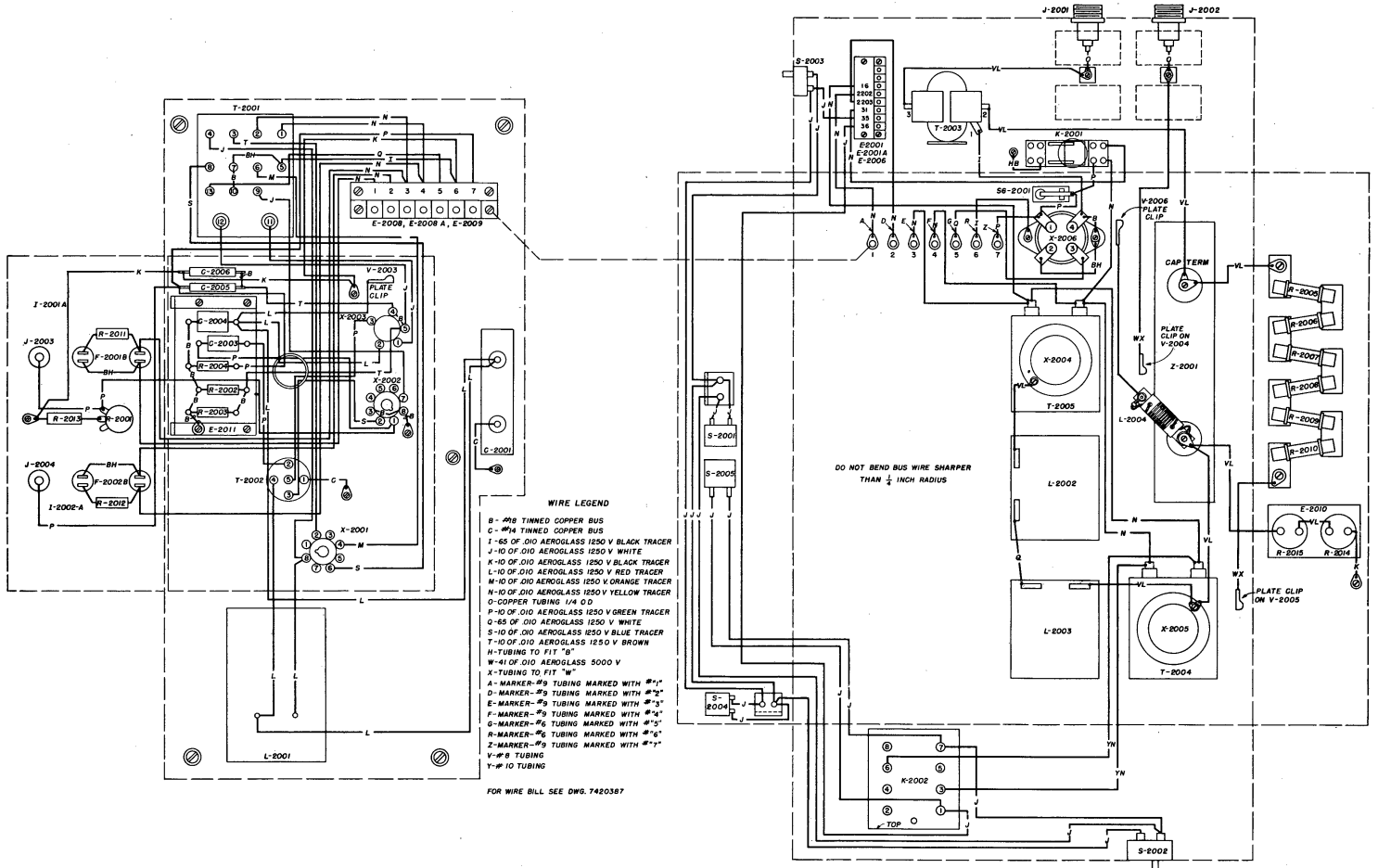


Figure 7-139. Modulator, CAY-50AGU, Serial #51 and above, Wiring Diagram

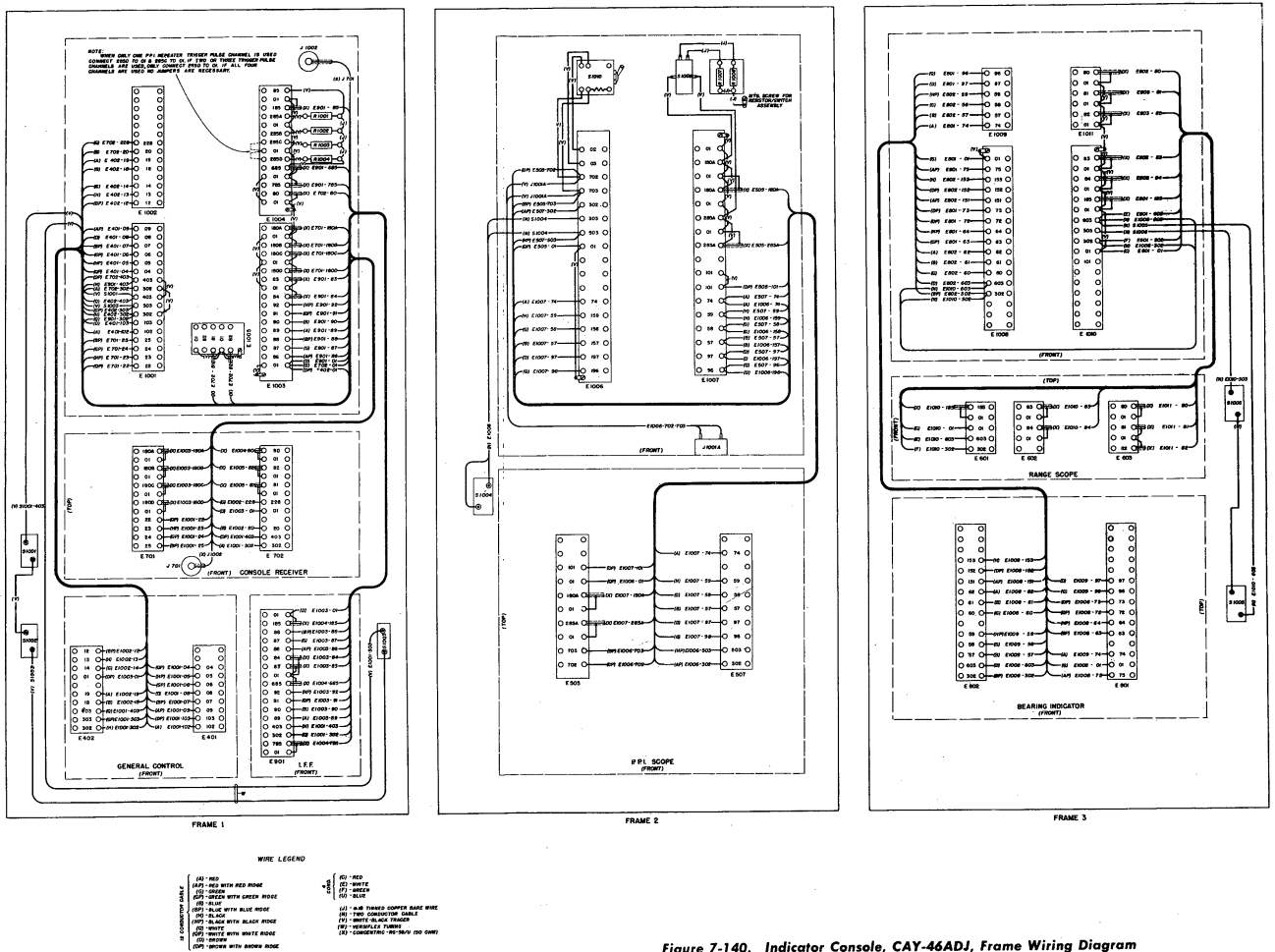


Figure 7-140. Indicator Console, CAY-46ADJ, Frame Wiring Diagram

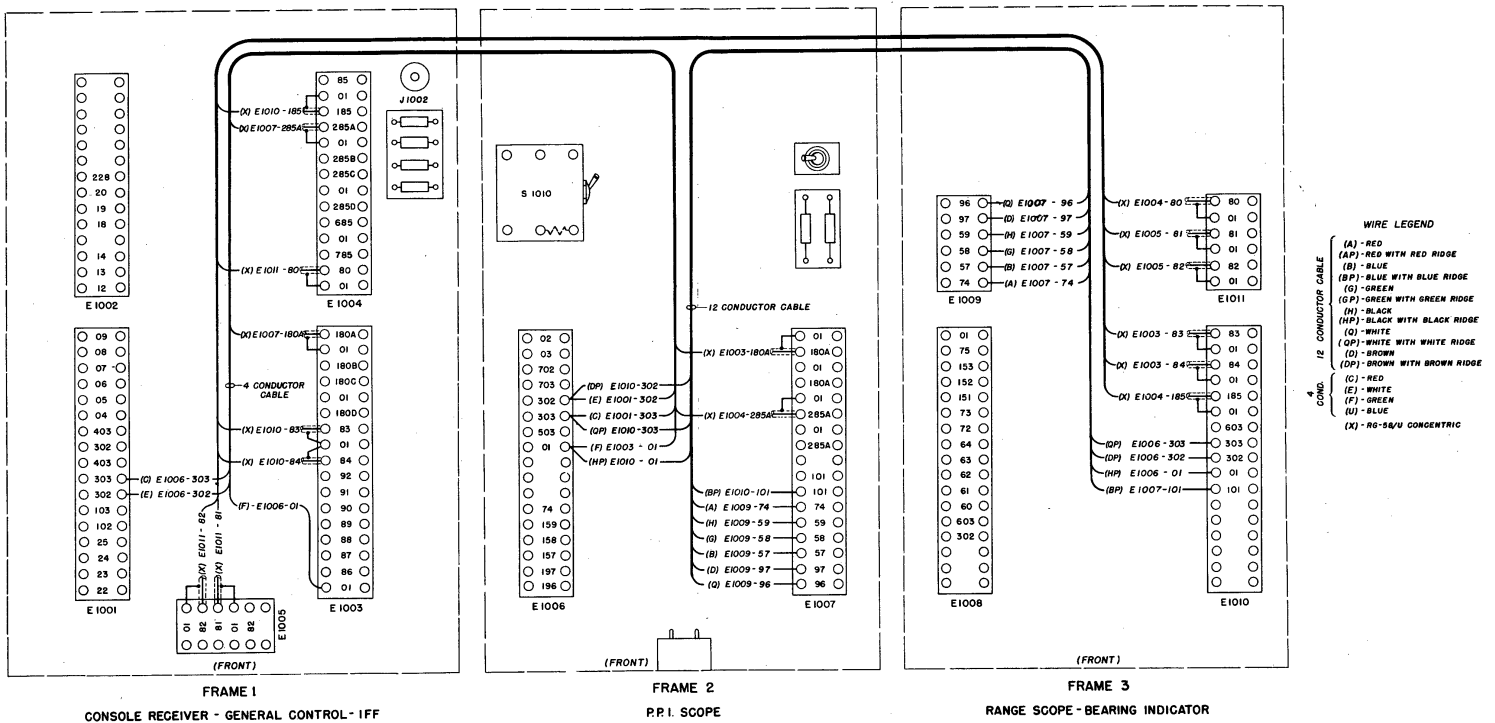


Figure 7-141. Indicator Console, CAY-46ADJ, Interconnection Diagram

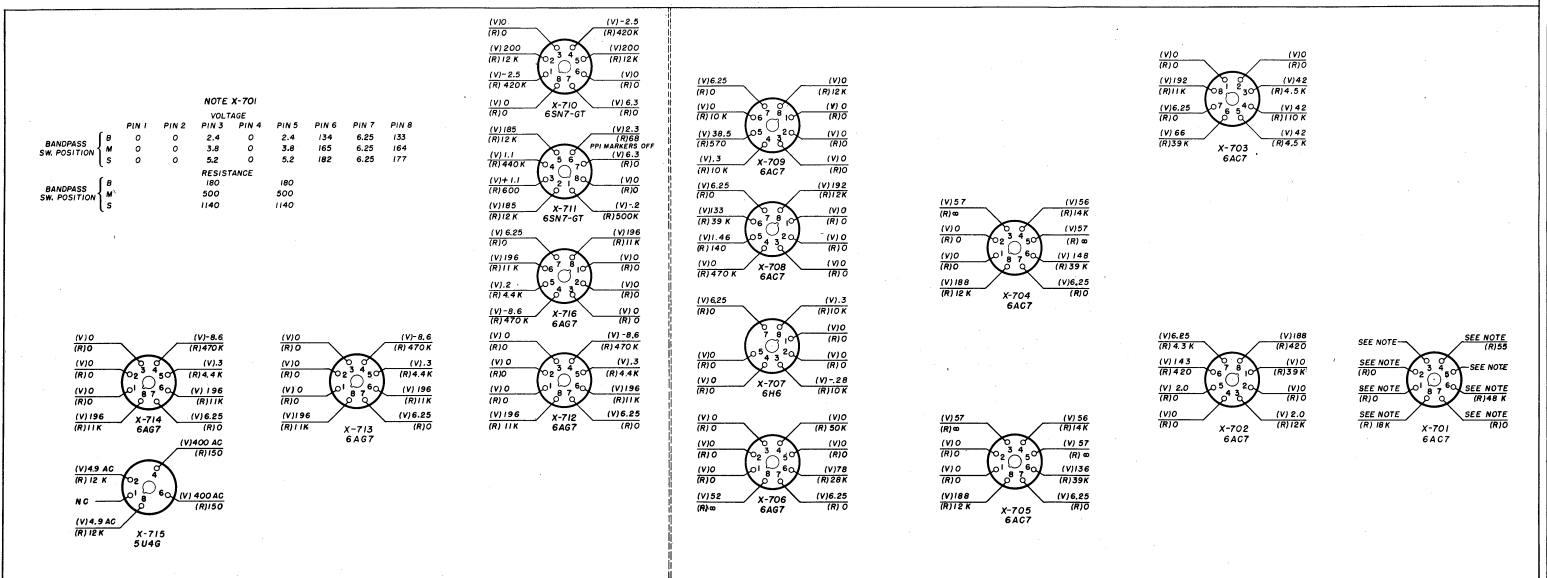


Figure 7-142. Console Receiver, CAY-46ADH, Voltage and Resistance Chart

CORRECTIVE MAINTENANCE

NAVSHIPS 900,946

SECTION 7

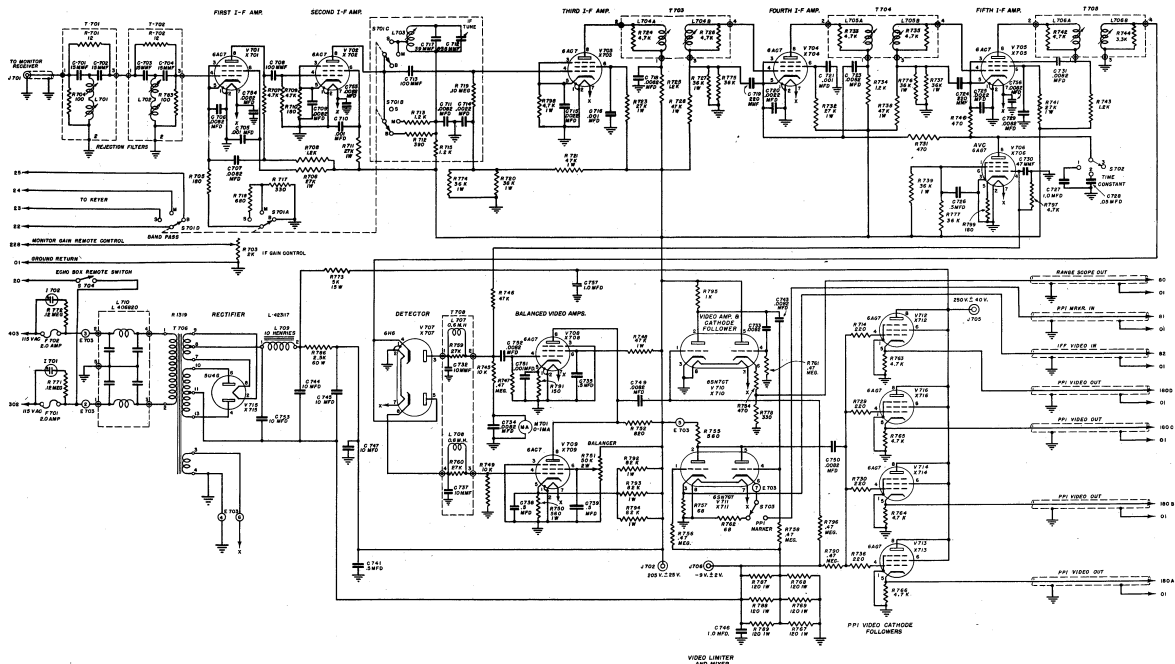


Figure 7-143. Console Receiver, CAY-46ADH, Schematic Diagram

ORIGINAL

Figure 7-143. Console Receiver, CAY-46ADH, Schematic Diagram

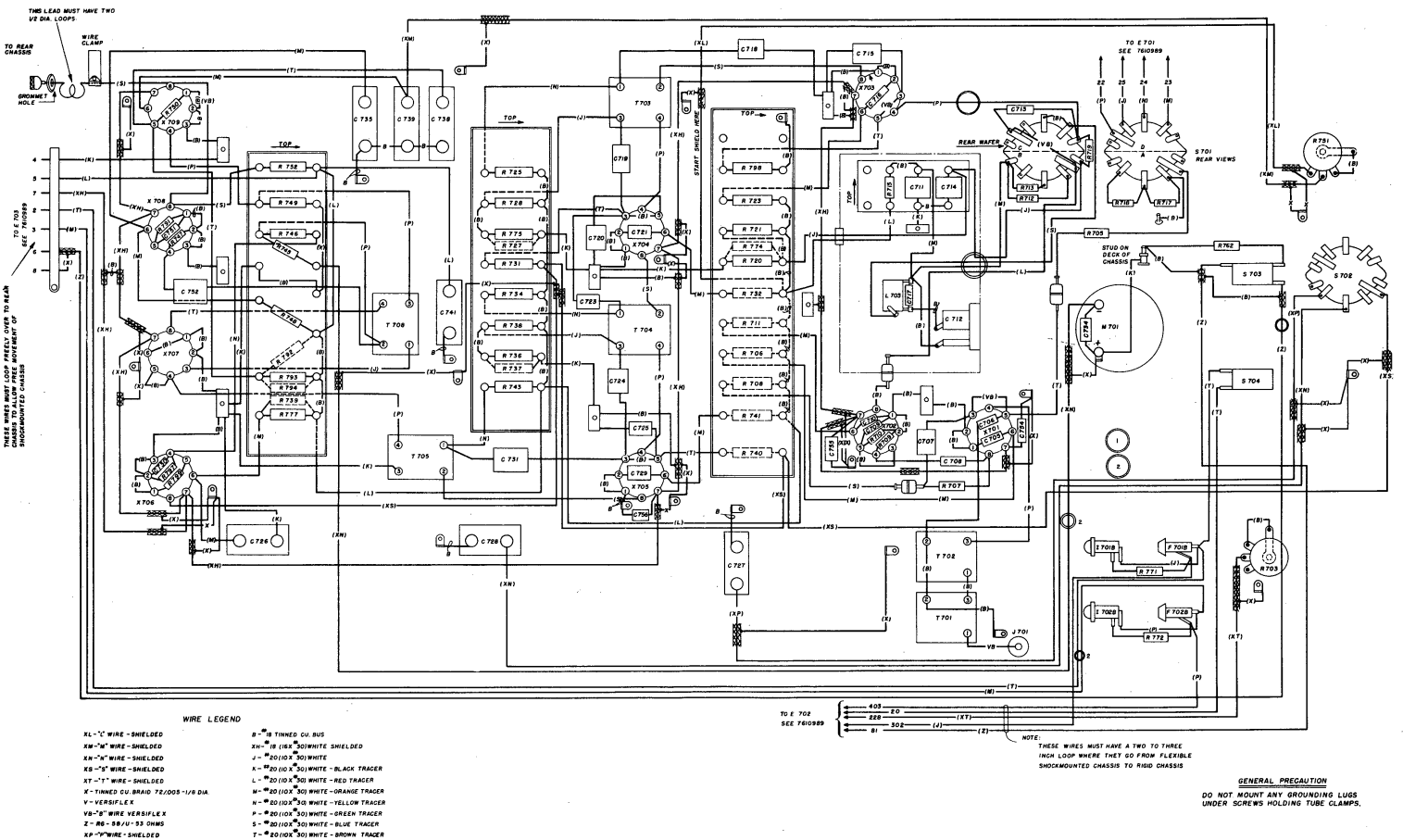


Figure 7-144. Console Receiver, CAY-46ADH, Floating Chassis Wiring Diagram

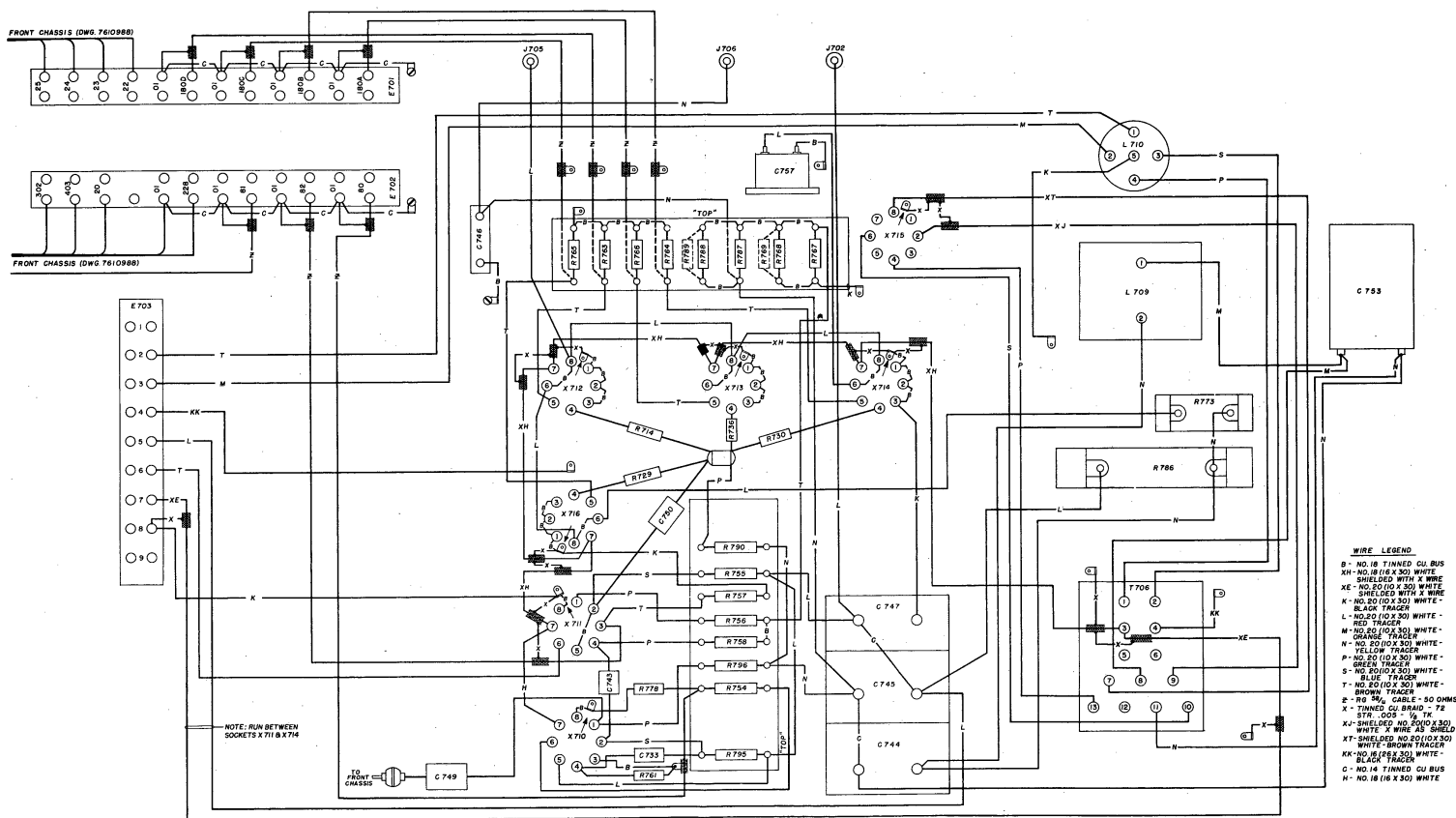


Figure 7-145. Console Receiver, CAY-46ADH, Power Supply and Video Wiring Diagram

7-215
7-216

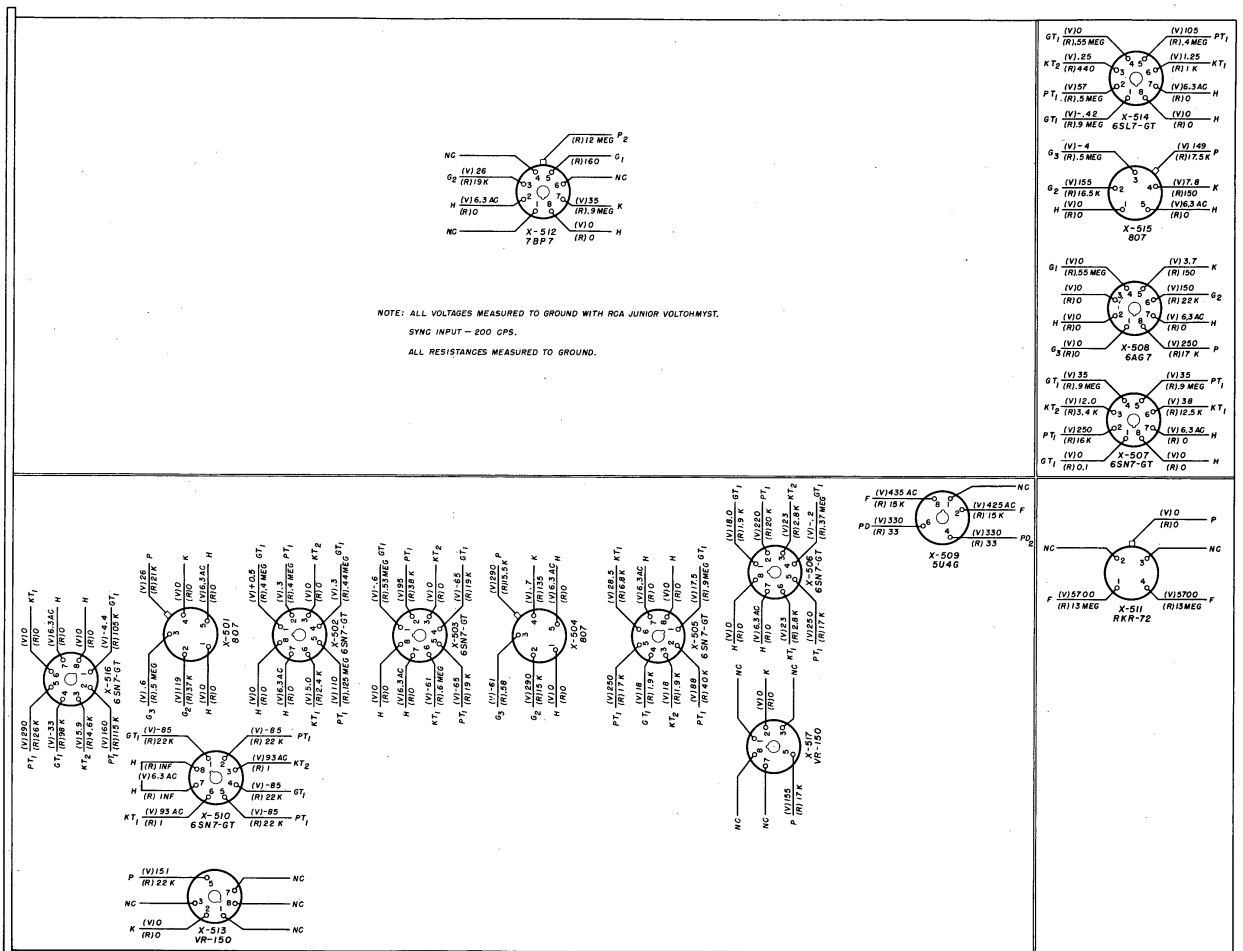


Figure 7-146. PPI Indicators, CAY-55ADV and CAY-55ADV1, Voltage and Resistance Chart, 4 Mile Range

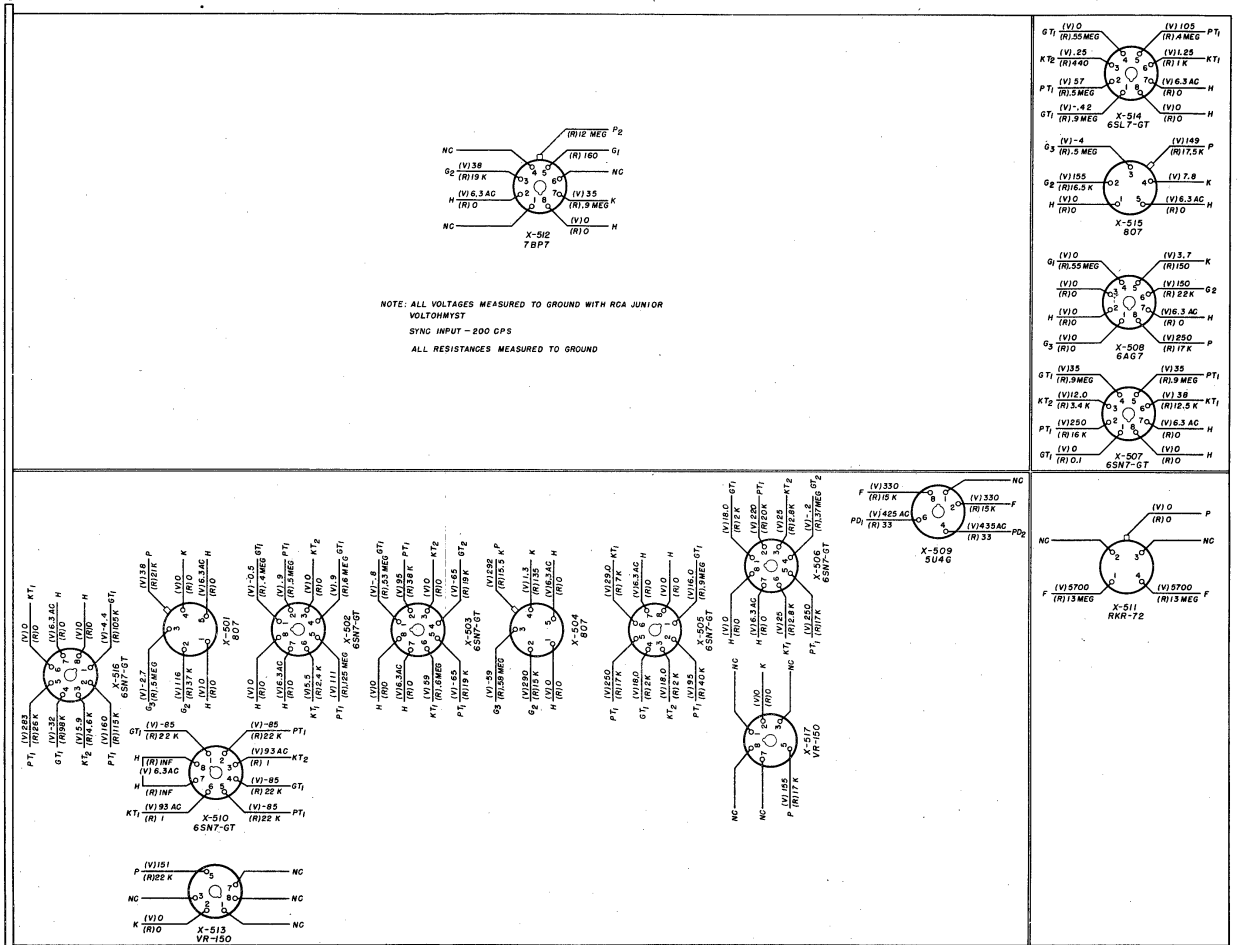


Figure 7-147. PPI Indicators, CAY-55ADV and CAY-55ADV1, Voltage and Resistance Chart, 20 Mile Range

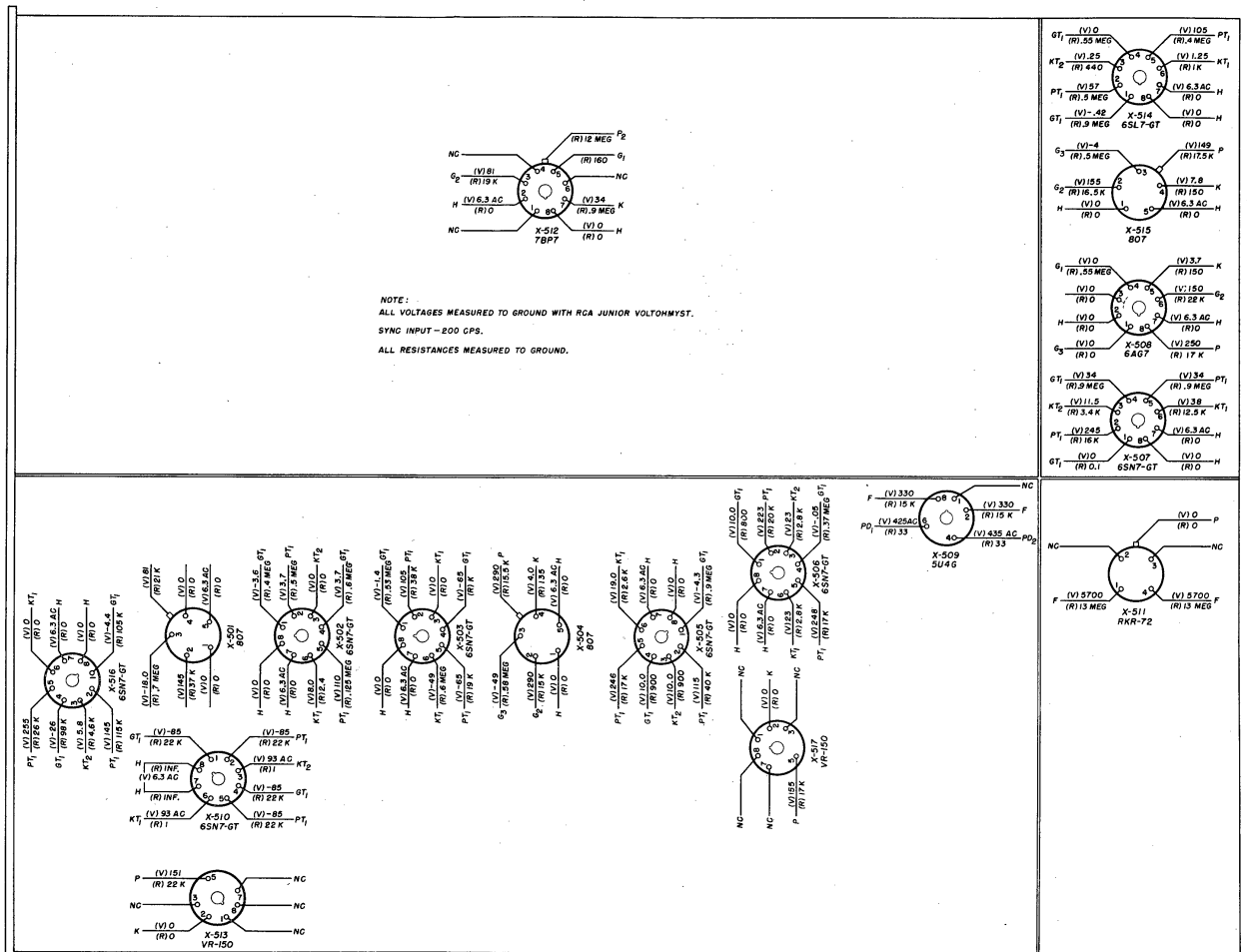


Figure 7-148. PPI Indicators, CAY-55ADV and CAY-55ADV1, Voltage and Resistance Chart, 80 Mile Range

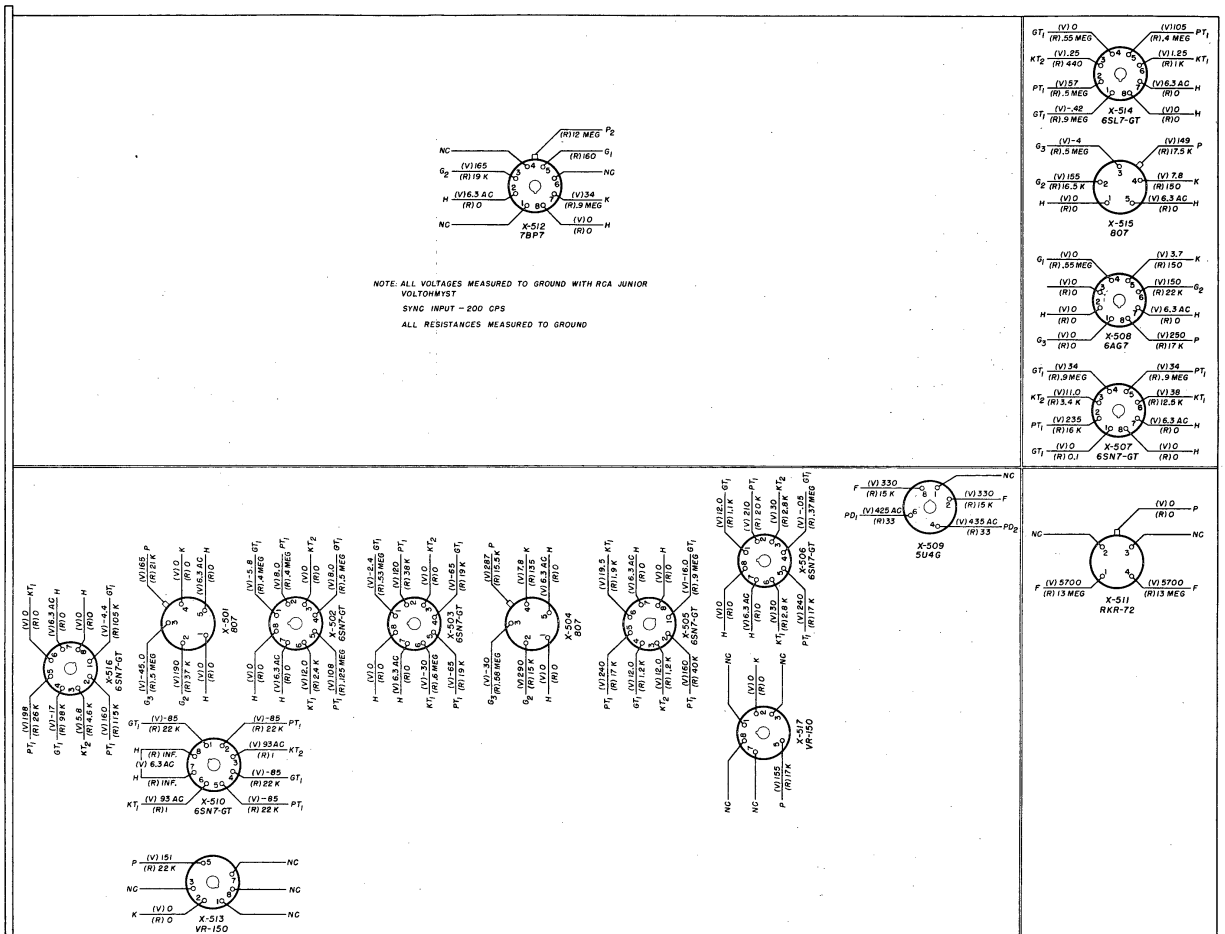


Figure 7-149. PPI Indicators, CAY-55ADV and CAY-55ADV1, Voltage and Resistance Chart, 200 Mile Range

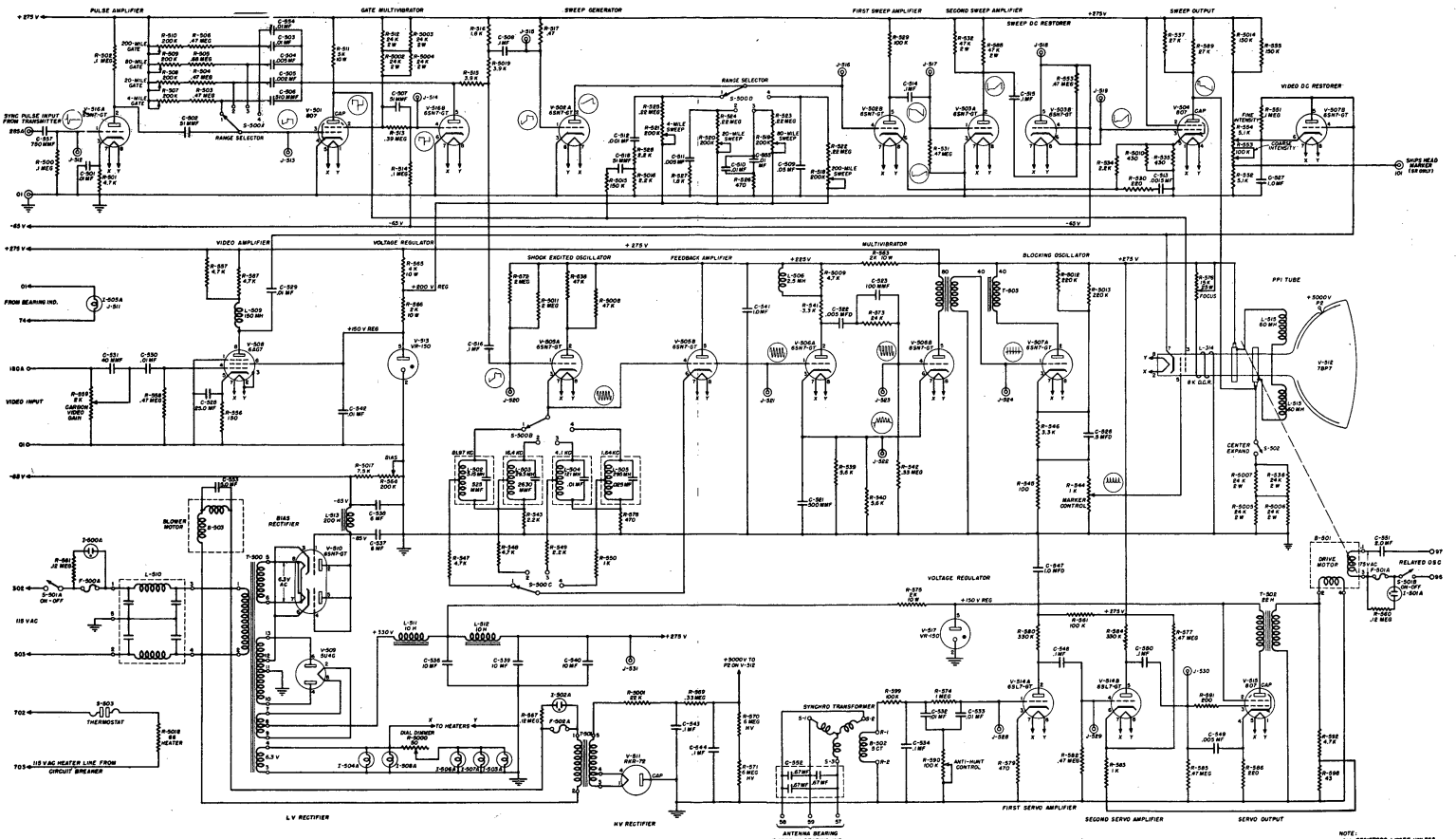


Figure 7-150. PPI Indicators, CAY-55ADV and CAY-55ADV1, Schematic Diagram

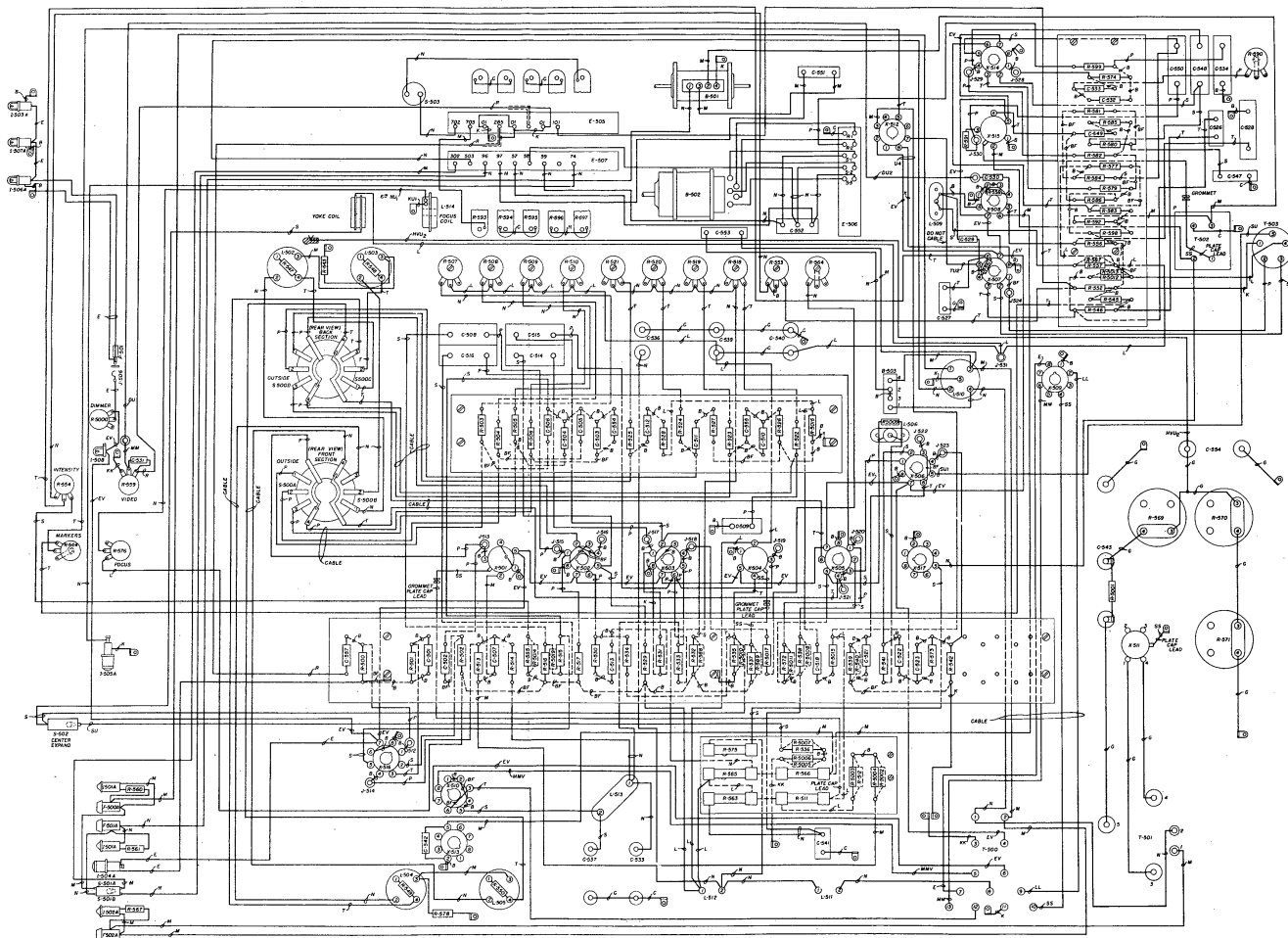


Figure 7-151. PPI Indicators, CAY-55ADV and CAY-ADV1, Wiring Diagram

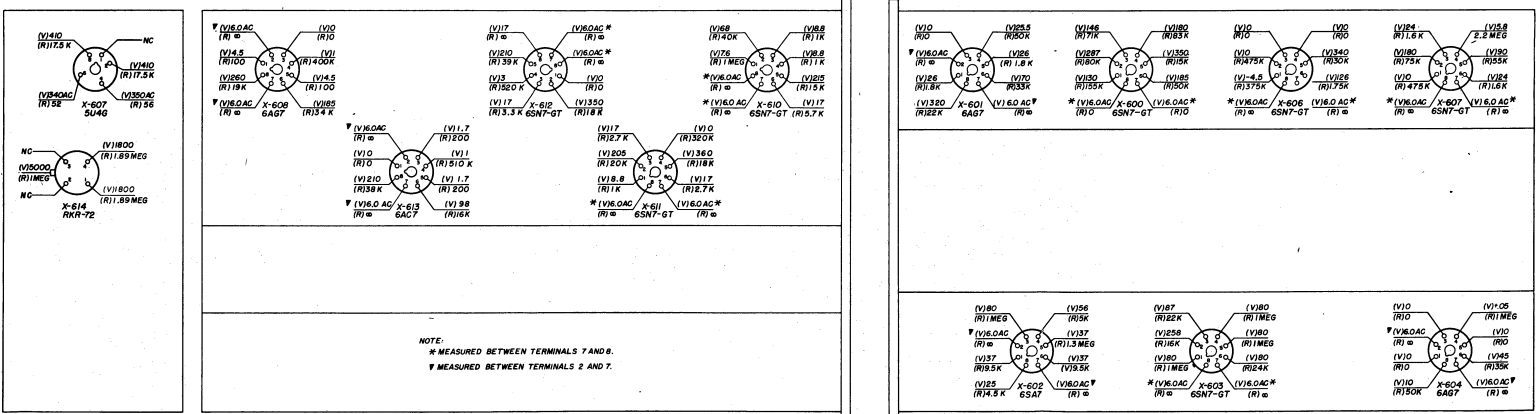
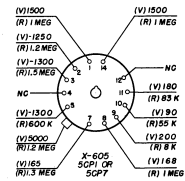


Figure 7-152. Range Scope, CAY-55AFB, Voltage and Resistance Chart, 4 Mile Range

Figure 7-152. Range Scope, CAY-55AFB, Voltage and Resistance Chart, 4 Mile Range

Figure 7-153. Range Scope, CAY-55AFB, Voltage and Resistance Chart, 20 Mile Range

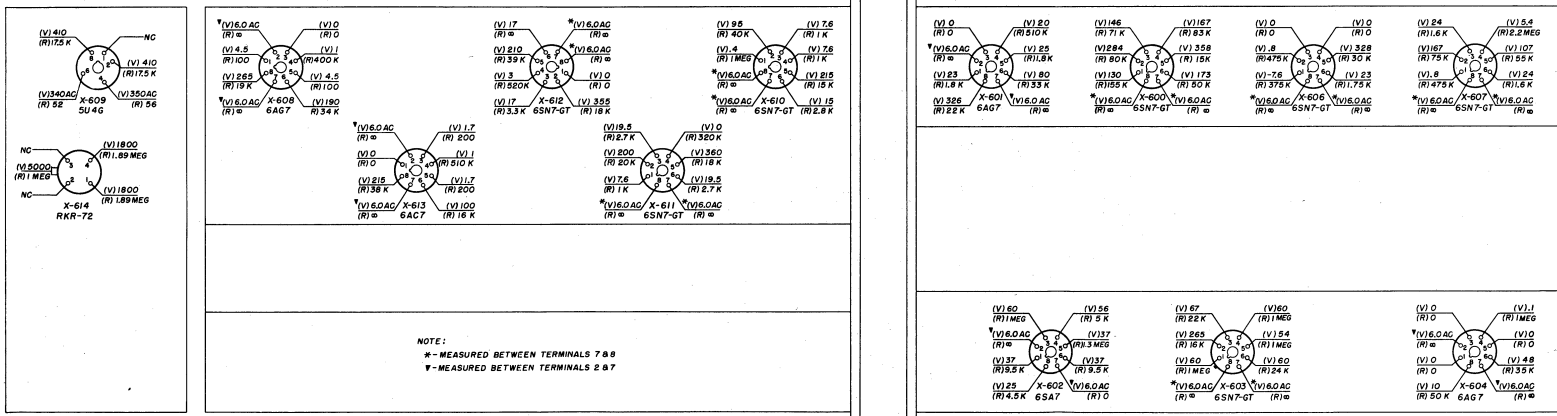


Figure 7-154. Range Scope, CAY-55AF8, Voltage and Resistance Chart, 80 Mile Range

Figure 7-154. Range Scope, CAY-55AFB, Voltage and Resistance Chart, 80 Mile Range

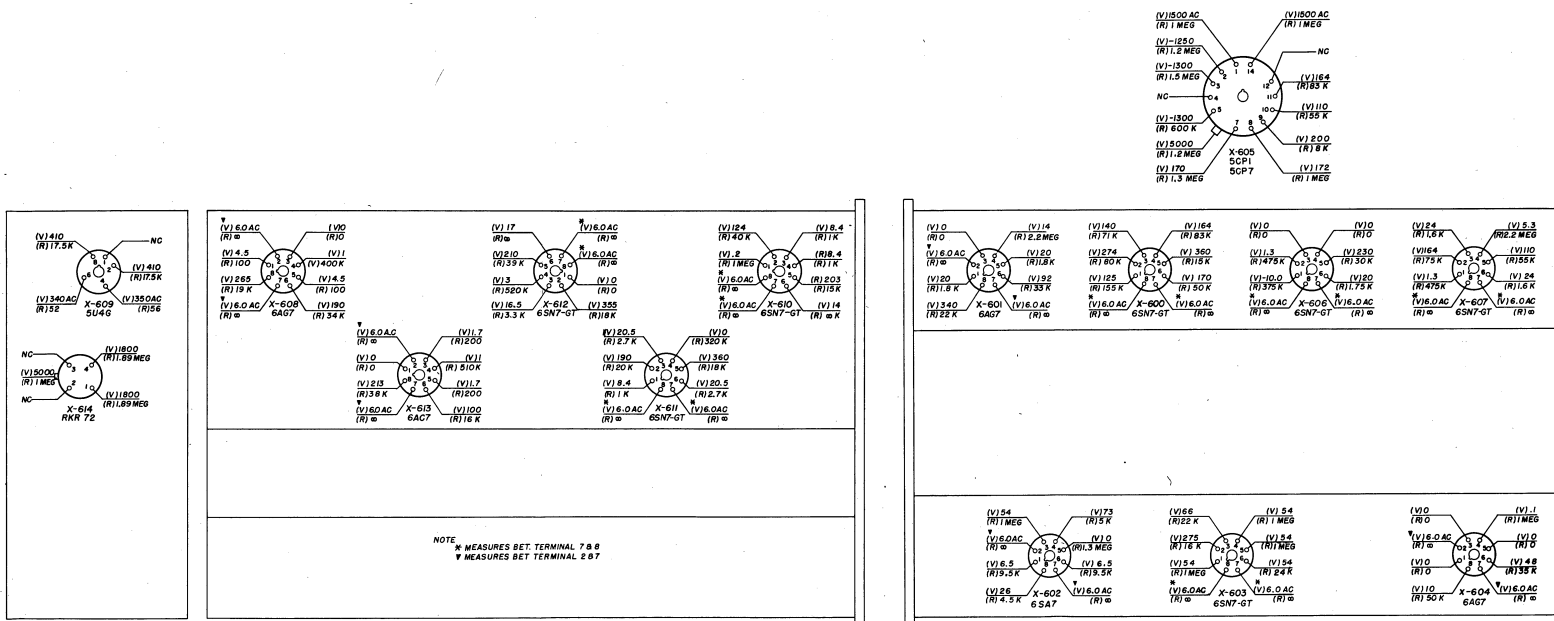
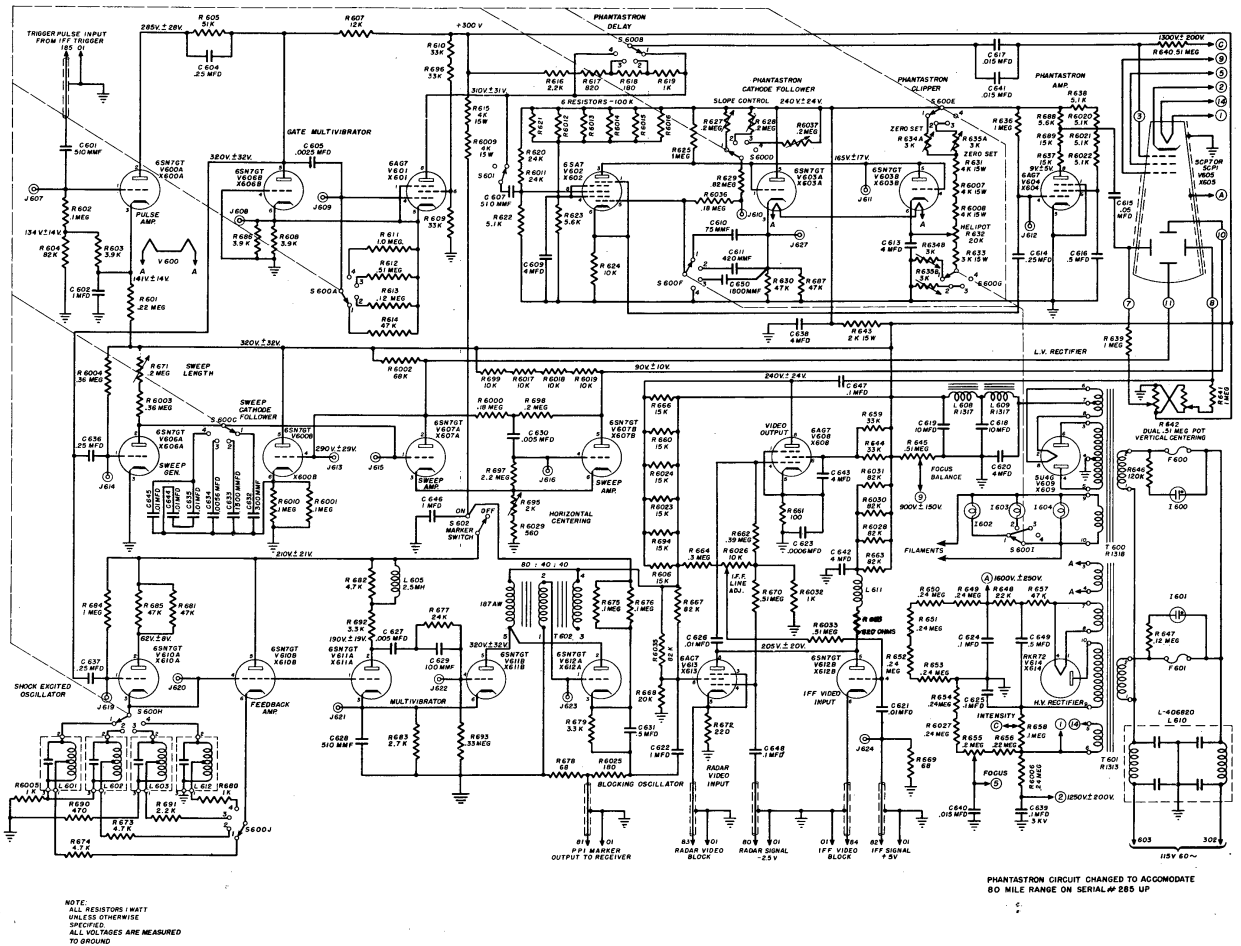


Figure 7-155. Range Scope, CAY-55A8B, Voltage and Resistance Chart, 200 Mile Range

Figure 7-155. Range Scope, CAY-55AFB, Voltage and Resistance Chart, 200 Mile Range



NOTE:
ALL RESISTORS 1/2 WATT
UNLESS OTHERWISE
SPECIFIED
ALL VOLTAGES ARE MEASURED
TO GROUND

Figure 7-156. Range Scope, CAY-55AFB, Schematic Diagram

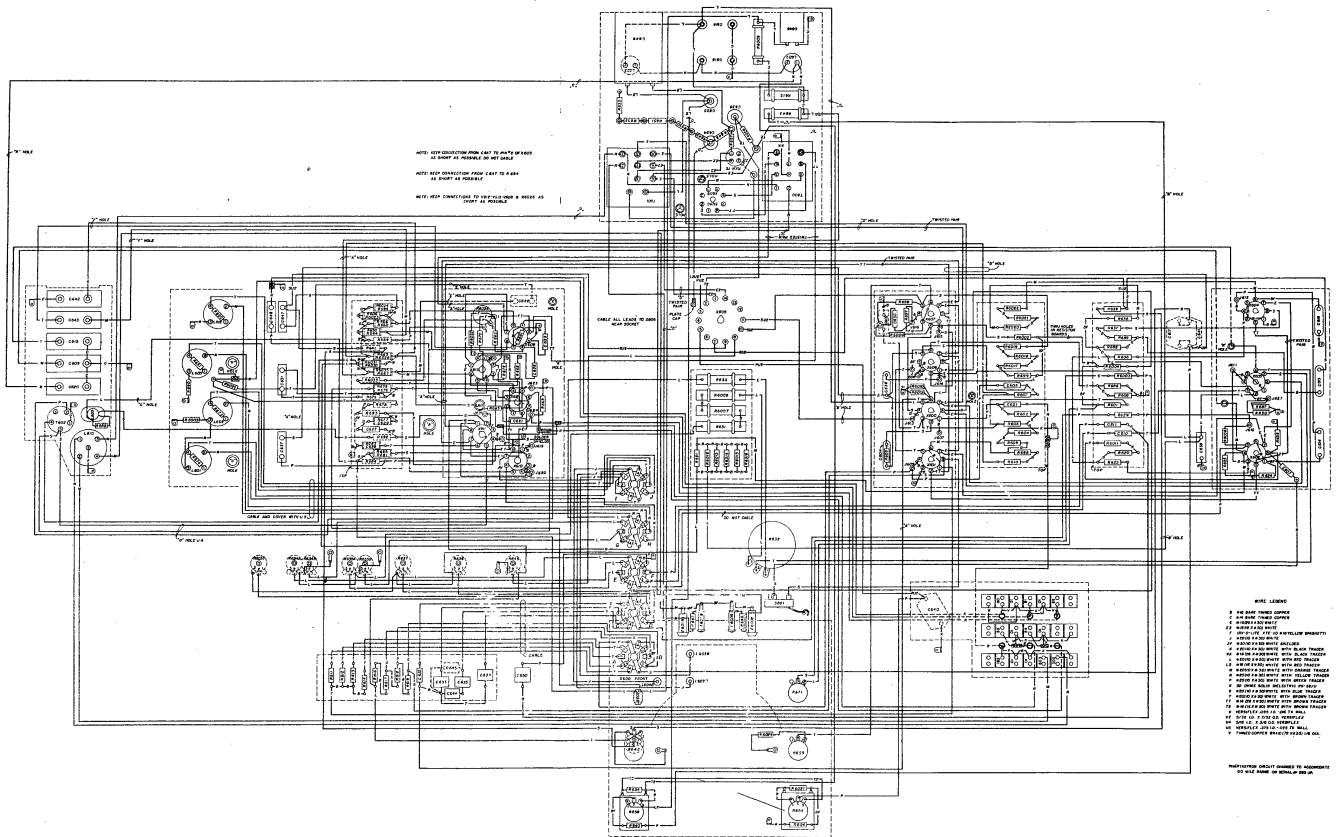


Figure 7-157. Range Scope, CAY-55AFB, Wiring Diagram

NOTE 1 - MEASUREMENTS MADE FROM DESIGNATED TERMINALS TO GROUND, USING A 20000 OHMS-PER-VOLT METER.
 NOTE 2 - ALL VOLTAGES ARE MEASURED WITH IFF CO-ORDINATOR NOT TRIGGERED.
 NOTE 3 - VOLTAGE ON ARM OF BIAS ADJUST POTENTIOMETER R-944 = -85 VOLTS.

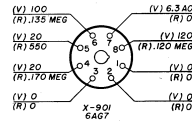
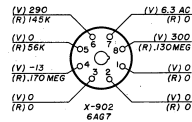
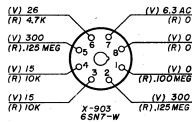
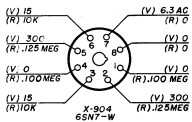
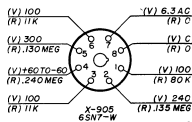
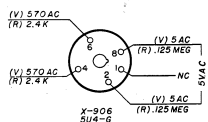


Figure 7-158. IFF Coordinator, CAY-23AEV, Voltage and Resistance Chart

Figure 7-158. IFF Coordinator, CAY-23AEV, Voltage and Resistance Chart

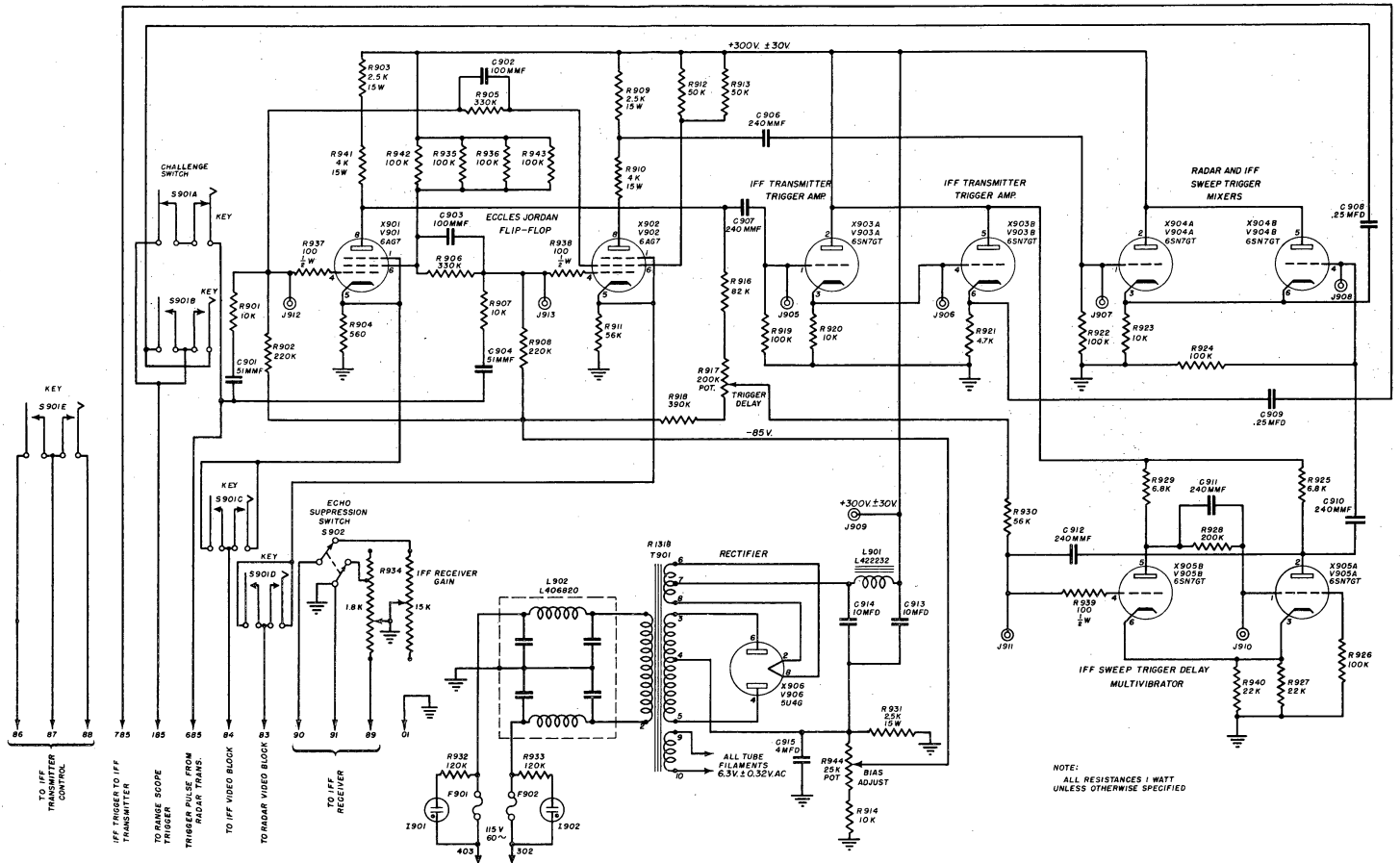


Figure 7-159. IFF Coordinator, CAY-23AEV, Schematic Diagram

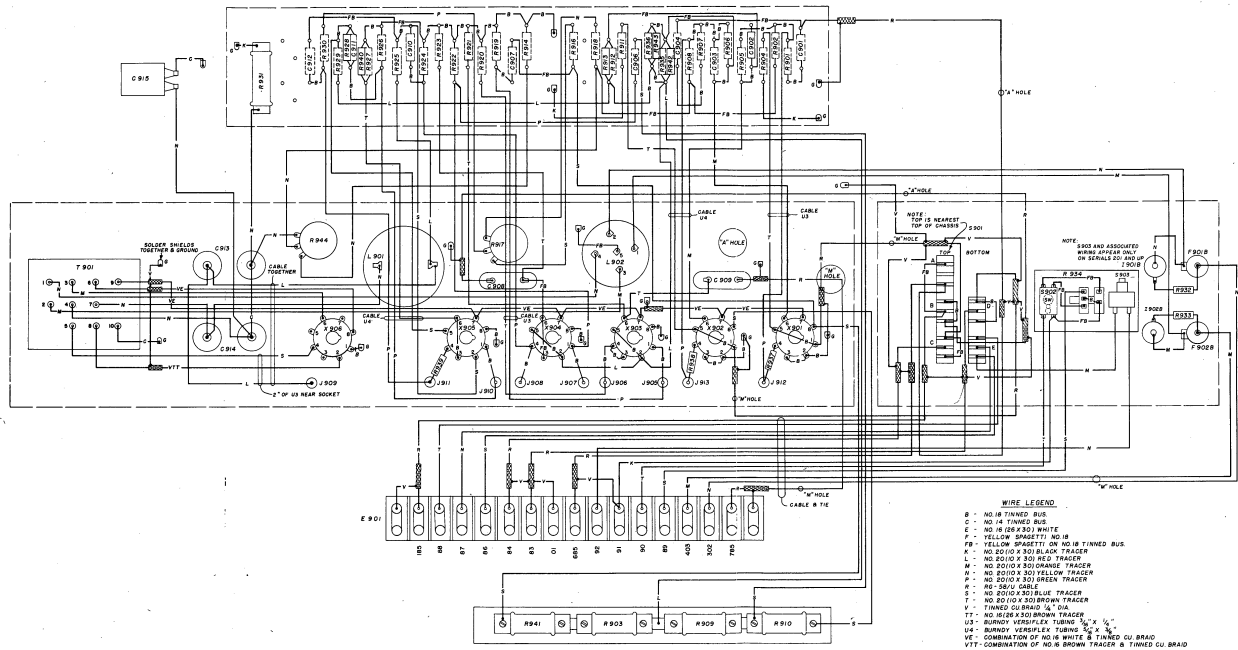


Figure 7-160. IFF Coordinator, CAY-23AEV, Wiring Diagram

Figure 7-160. IFF Coordinator, CAY-23AEV, Wiring Diagram

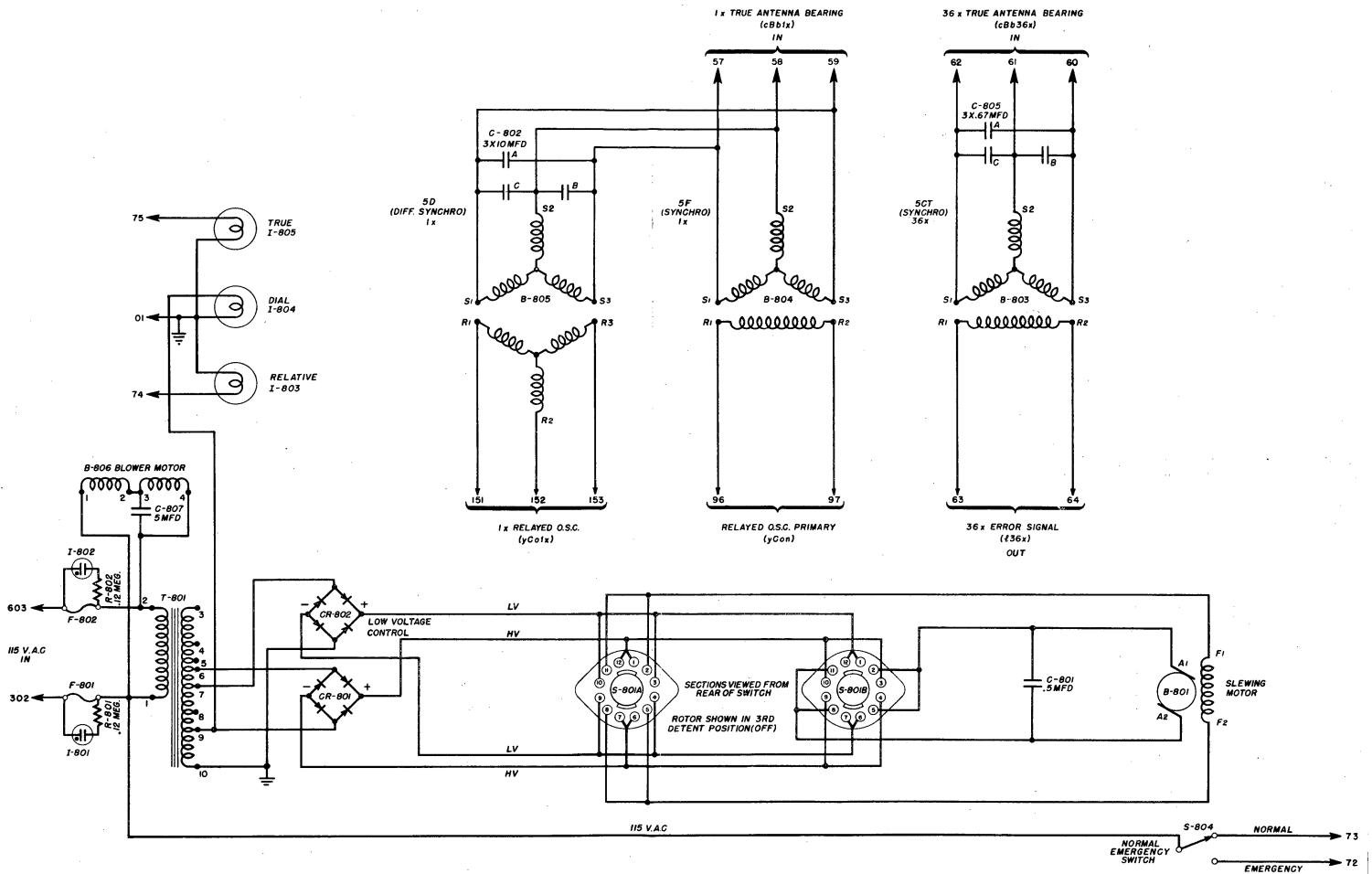


Figure 7-161. Bearing Indicator, CAY-55AFC, Schematic Diagram

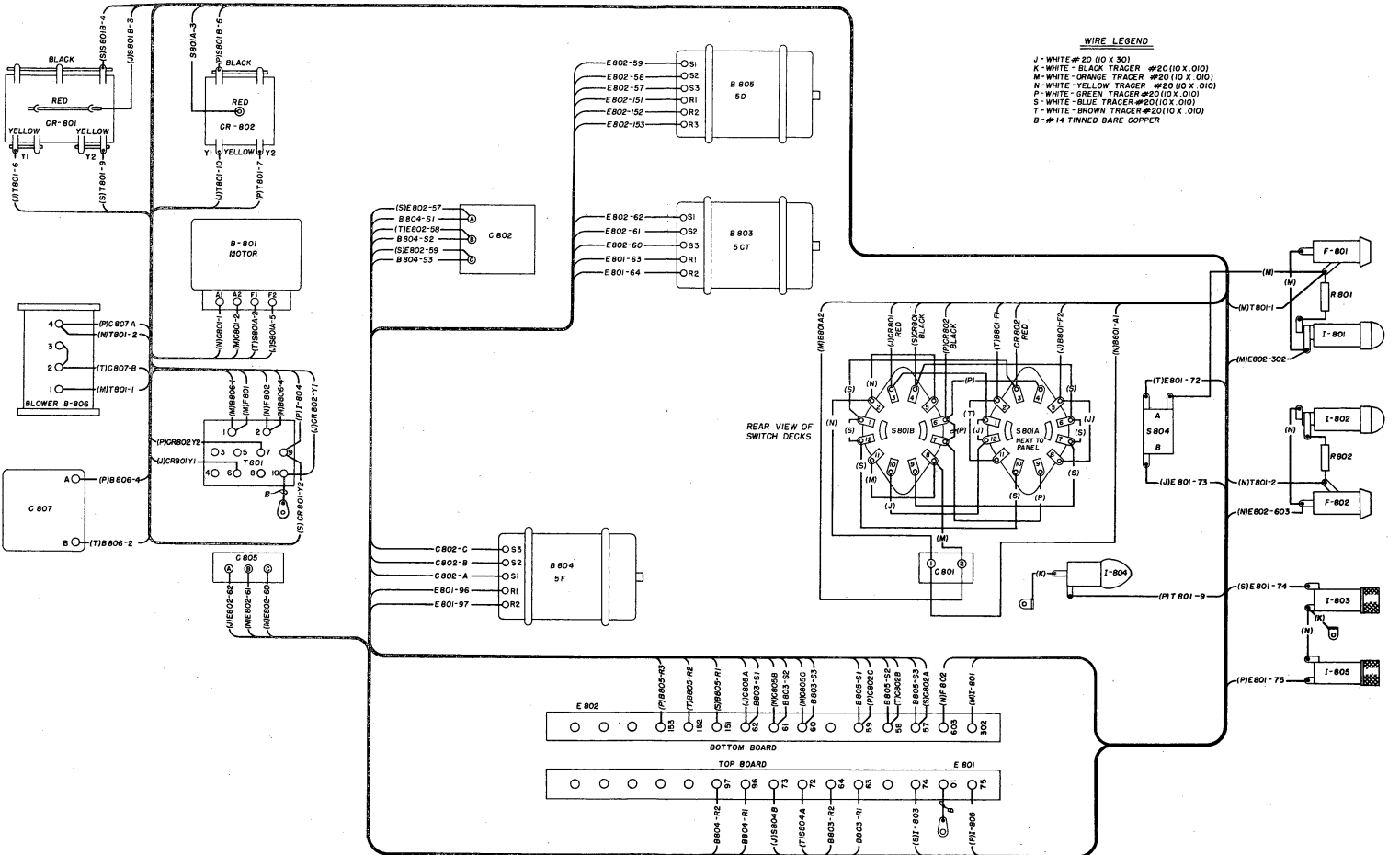


Figure 7-162. Bearing Indicator, CAY-55AFC, Wiring Diagram

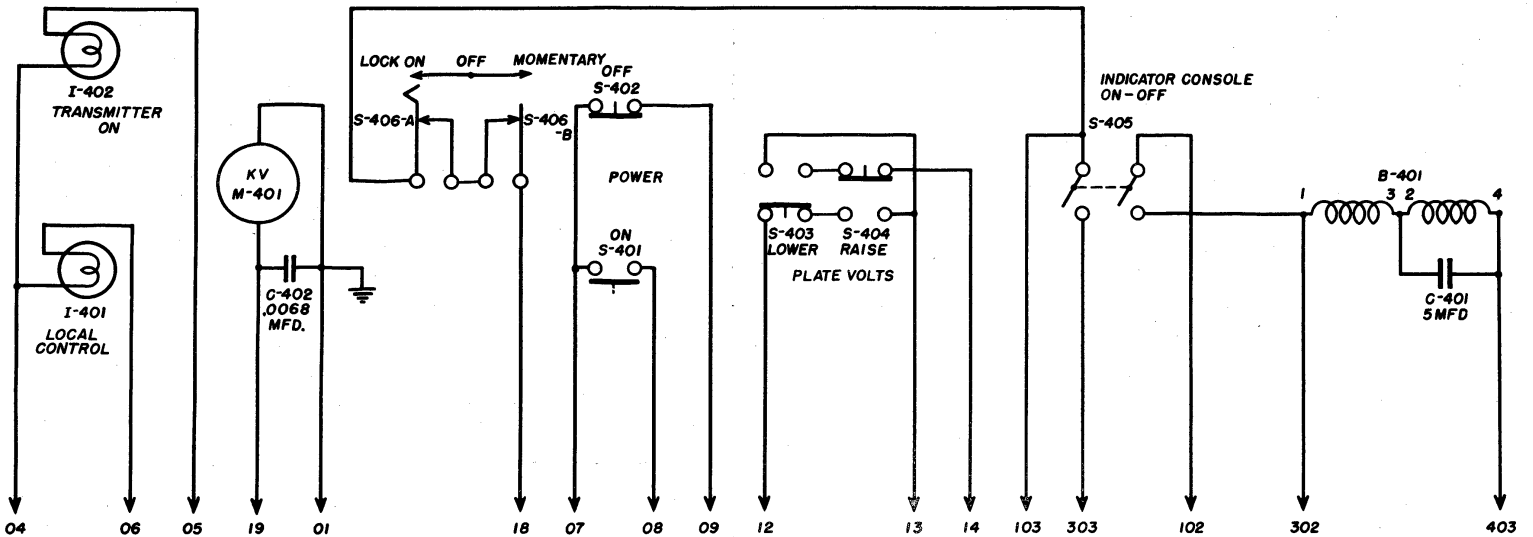


Figure 7-163. General Control Unit, CAY-23AEW, Schematic Diagram

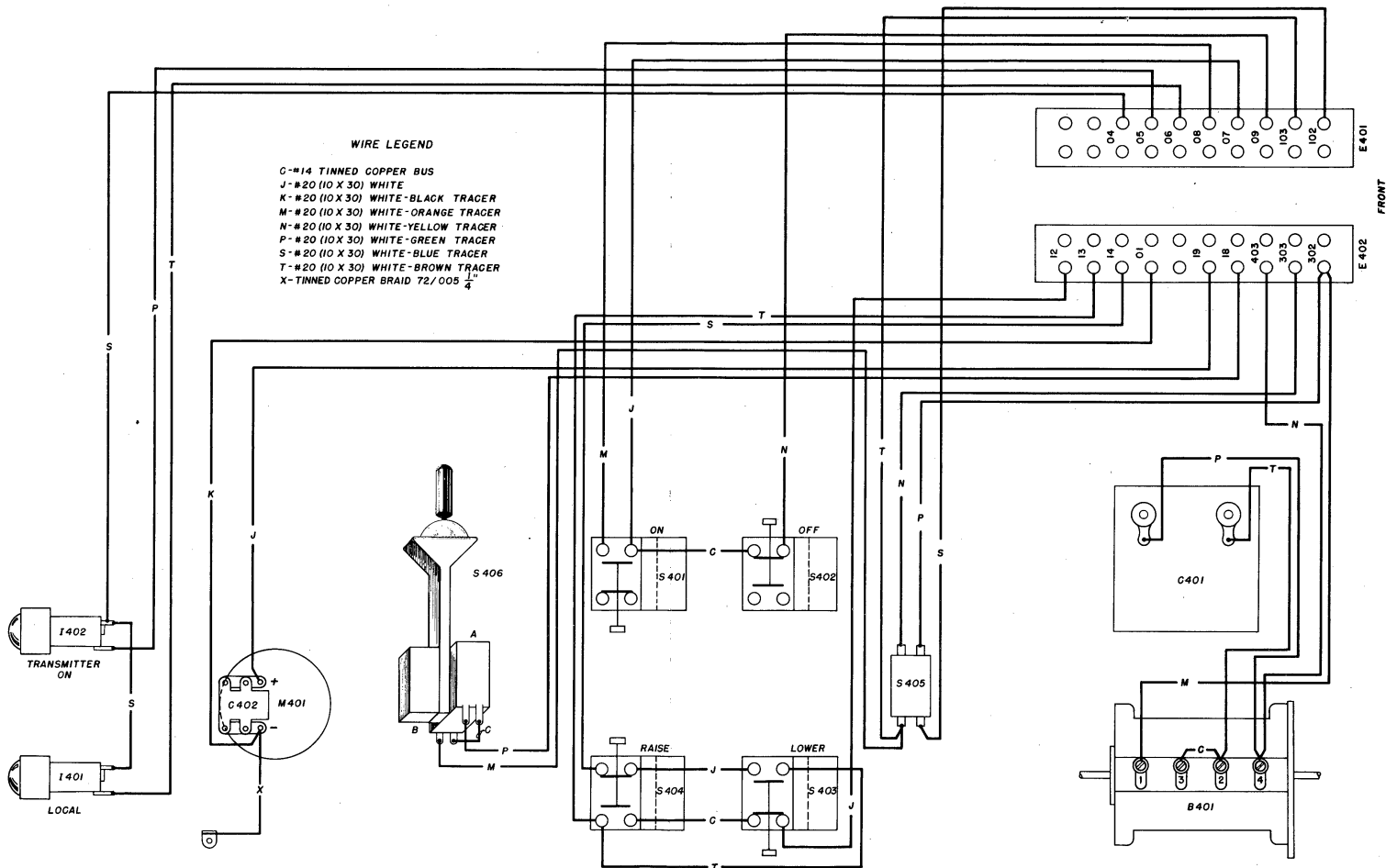


Figure 7-164. General Control Unit, CAY-23AEW, Wiring Diagram

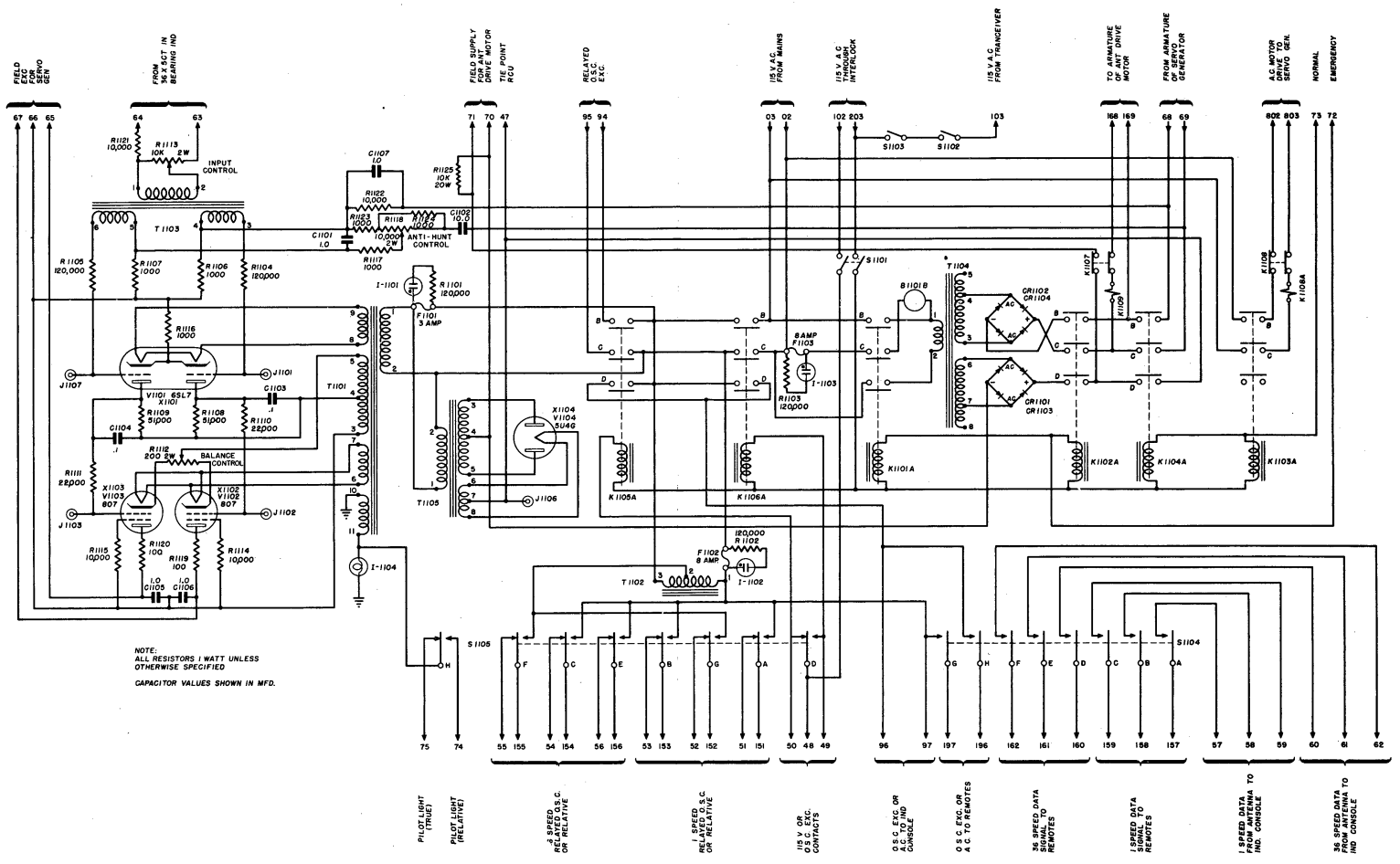


Figure 7-165. Rotation Control Unit, CAY-50AEB, Schematic Diagram

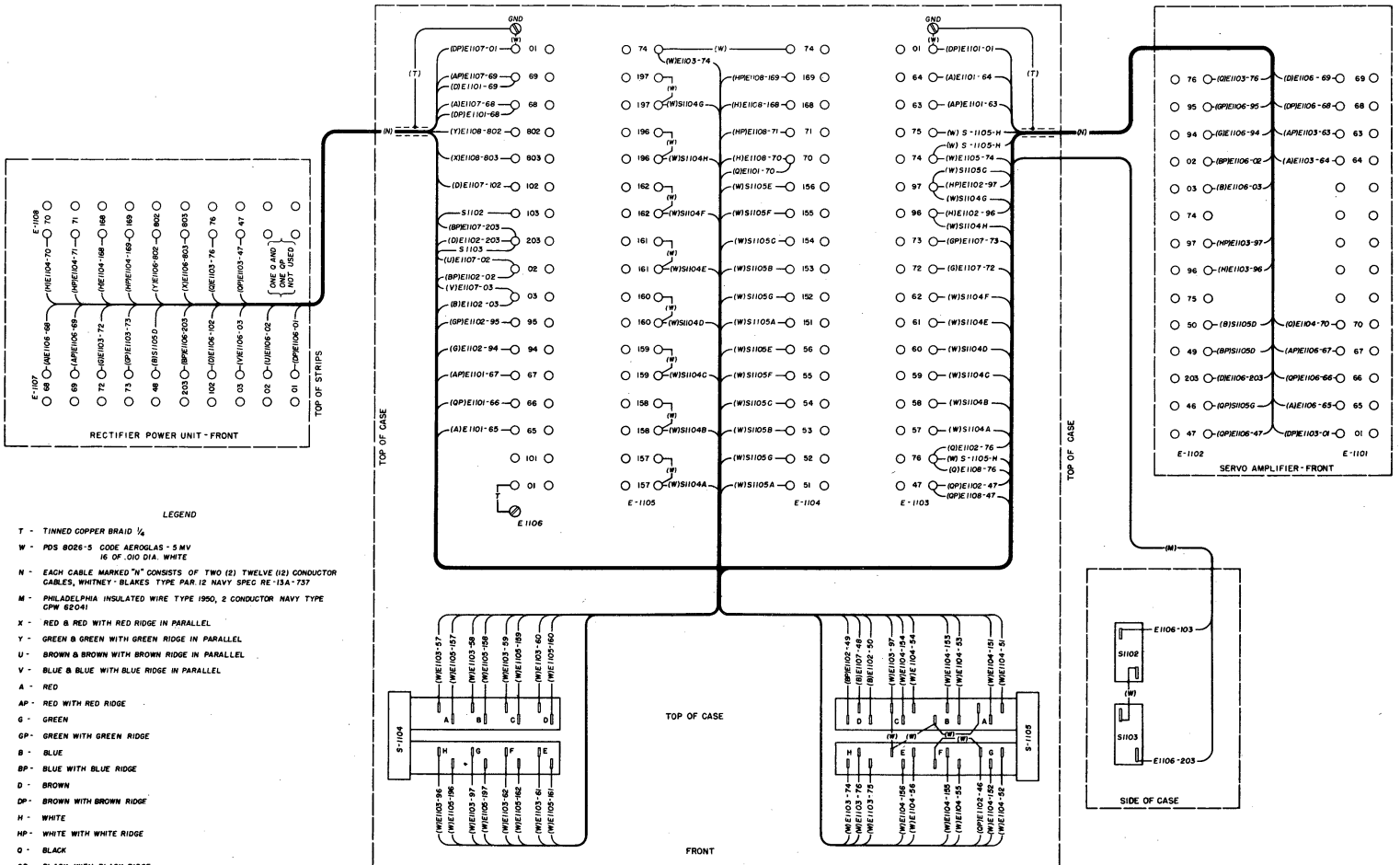


Figure 7-166. Rotation Control Unit, CAY-50AEB, Case Wiring Diagram

NOTES

VOLTAGE MEASUREMENTS TAKEN WITH NO EXCITATION TO T-1103.
 POTENTIOMETERS ADJUSTED FOR PROPER OPERATION OF ANTENNA.
 ANTENNA ROTATION SWITCH "OFF".
 RESISTANCE MEASUREMENTS TAKEN WITH ALL POTENTIOMETERS FULLY
 CLOCKWISE.
 ALL VOLTAGE AND RESISTANCE MEASUREMENTS (EXCEPT AS NOTED BELOW)
 TAKEN FROM DESIGNATED TERMINAL TO TERMINAL 66 (USED AS GROUND)
 WITH A 20000 OHMS-PER-VOLT METER.

- ▲ 6.3 VOLTS AC BETWEEN TERMINALS 1 AND 5 OF X-1102 AND X-1103
- 6.3 VOLTS AC BETWEEN TERMINALS 7 AND 8 OF X-1101
- ⊙ 5 VOLTS AC BETWEEN TERMINALS 2 AND 8 OF X-1104
- * 660 VOLTS AC BETWEEN TERMINALS 4 AND 6 OF X-1104
- ‡ 78 OHMS RESISTANCE BETWEEN TERMINALS 4 AND 6 OF X-1104

FRONT OF
 PANEL

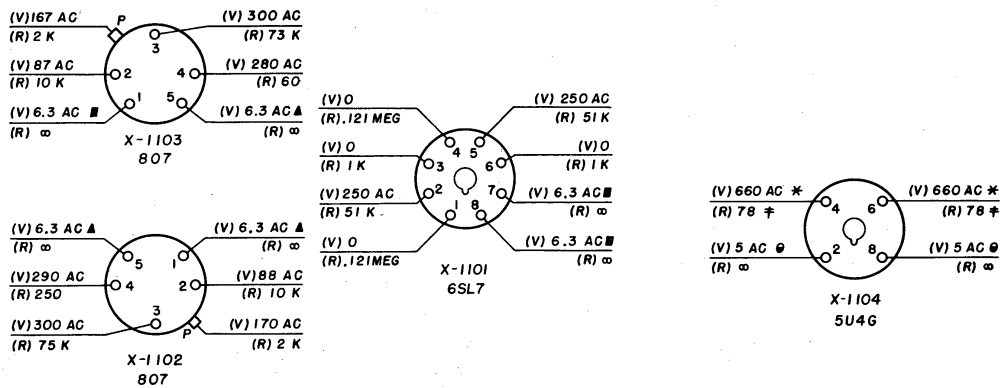


Figure 7-167. Servo Amplifier, CAY-50AEU, Voltage and Resistance Chart

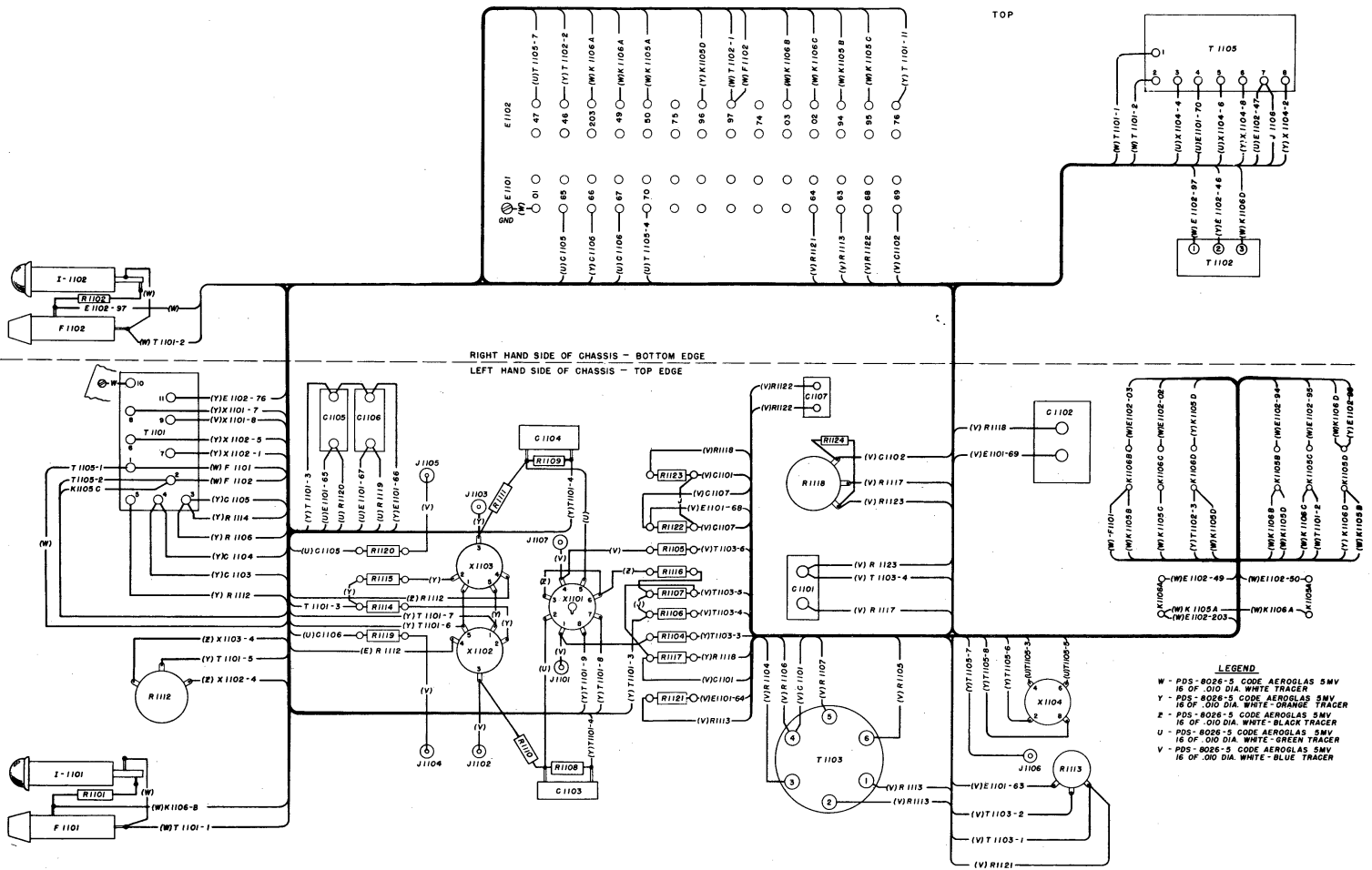


Figure 7-168. Servo Amplifier, CAY-50AEU, Wiring Diagram

CORRECTIVE MAINTENANCE

NAVSHIPS 900,946

SECTION 7

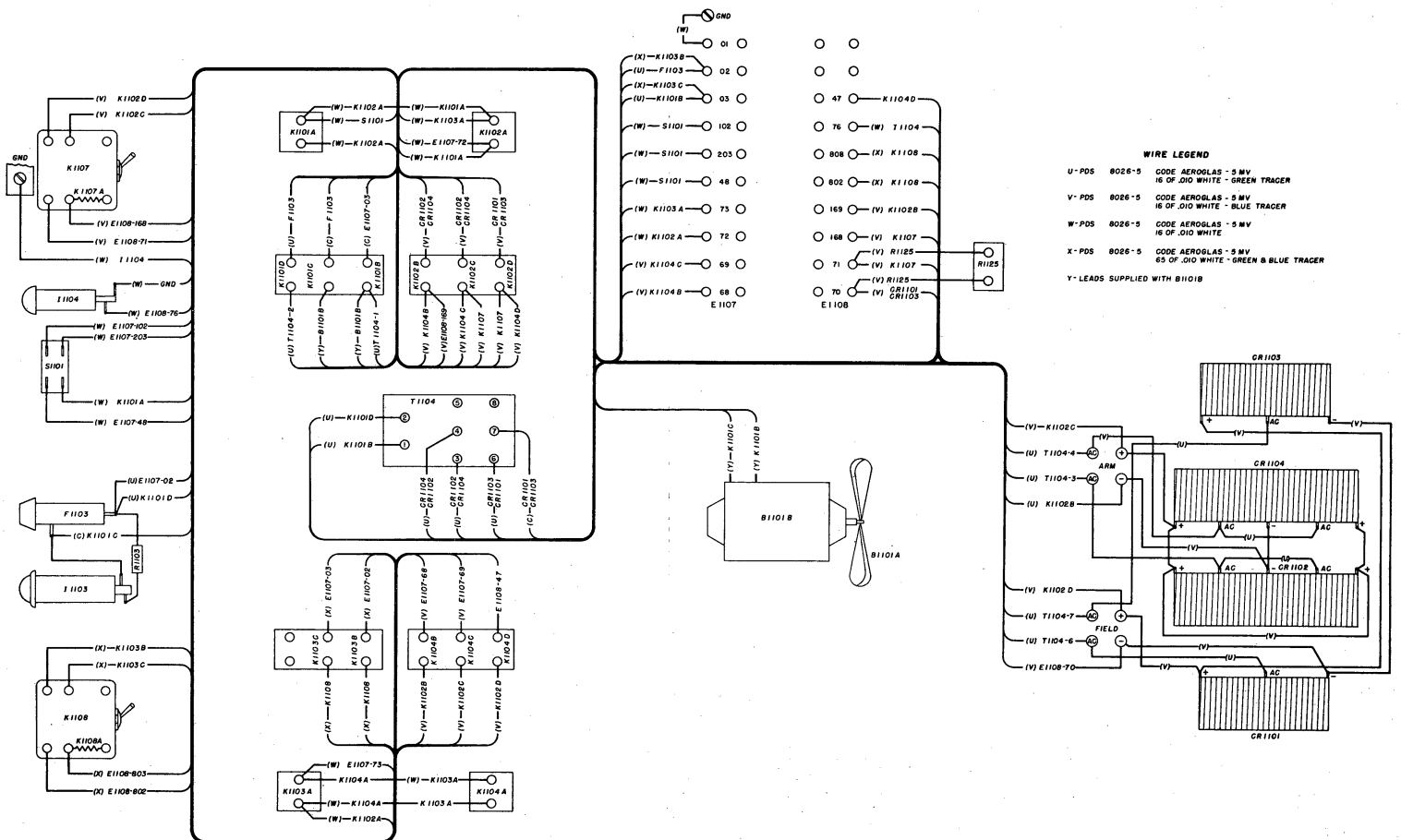


Figure 7-169. Rectifier Power Unit, CAY-20ACY, Wiring Diagram

ORIGINAL

7-263
7-264

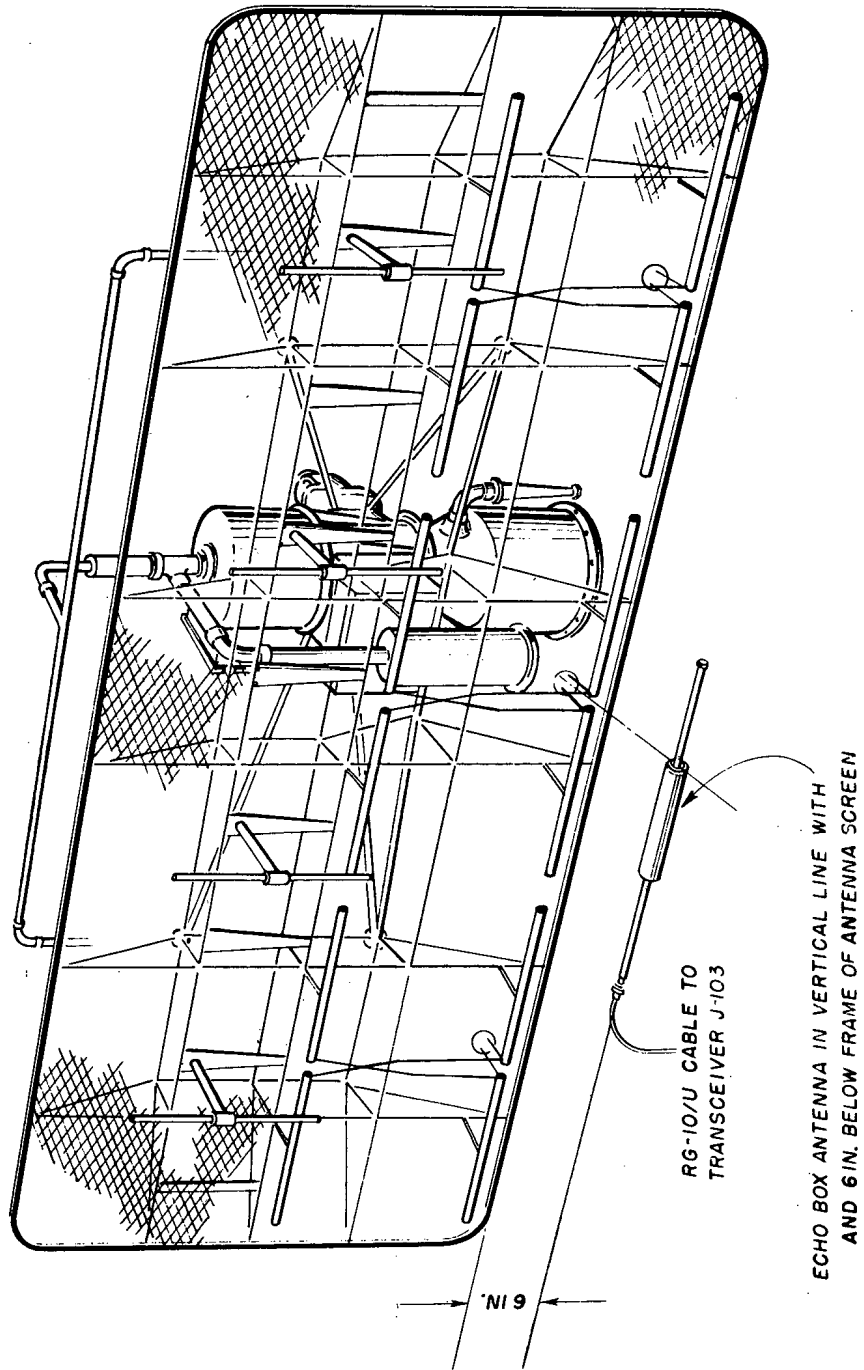


Figure 7-170. Echo Box Antenna, CAY-66AHK, Wiring Diagram

ORIGINAL

7-265
7-266

Figure 7-170. Echo Box Antenna, CAY-66AHK, Wiring Diagram

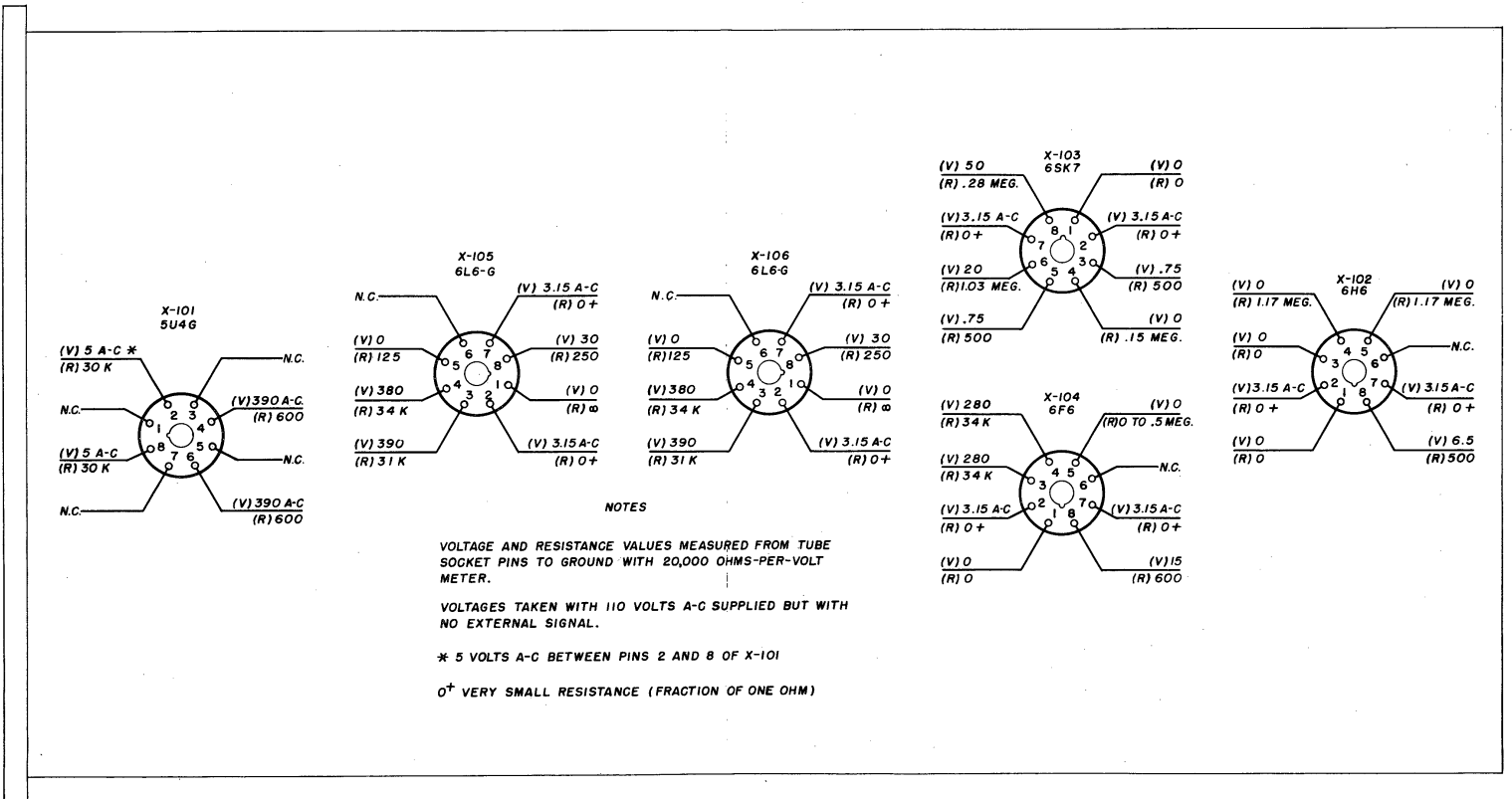


Figure 7-171. Synchro Amplifier, CM-211103, Voltage and Resistance Chart

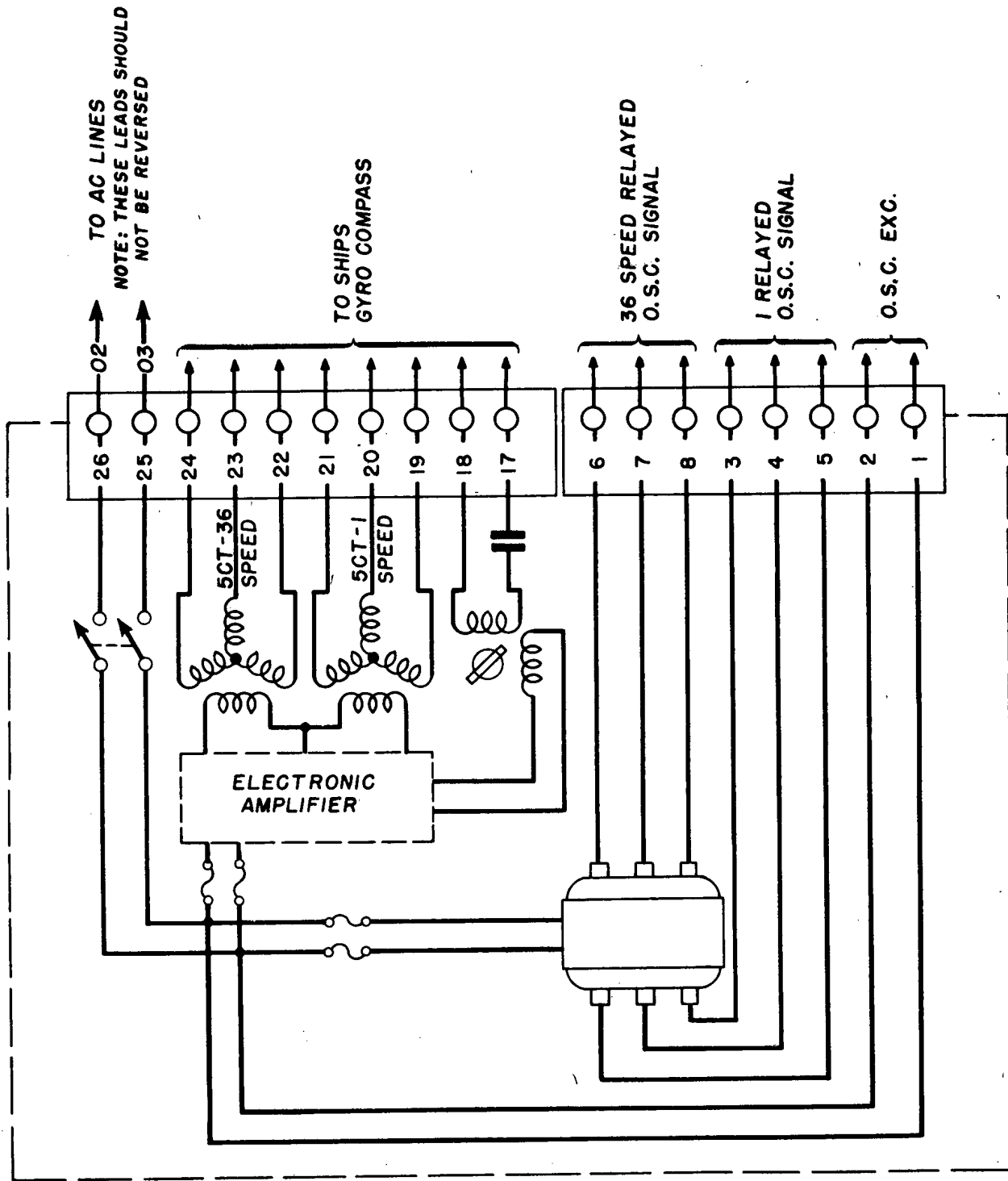


Figure 7-172. Synchro Amplifier, CM-211103, Schematic Diagram

ORIGINAL

7-269
7-270

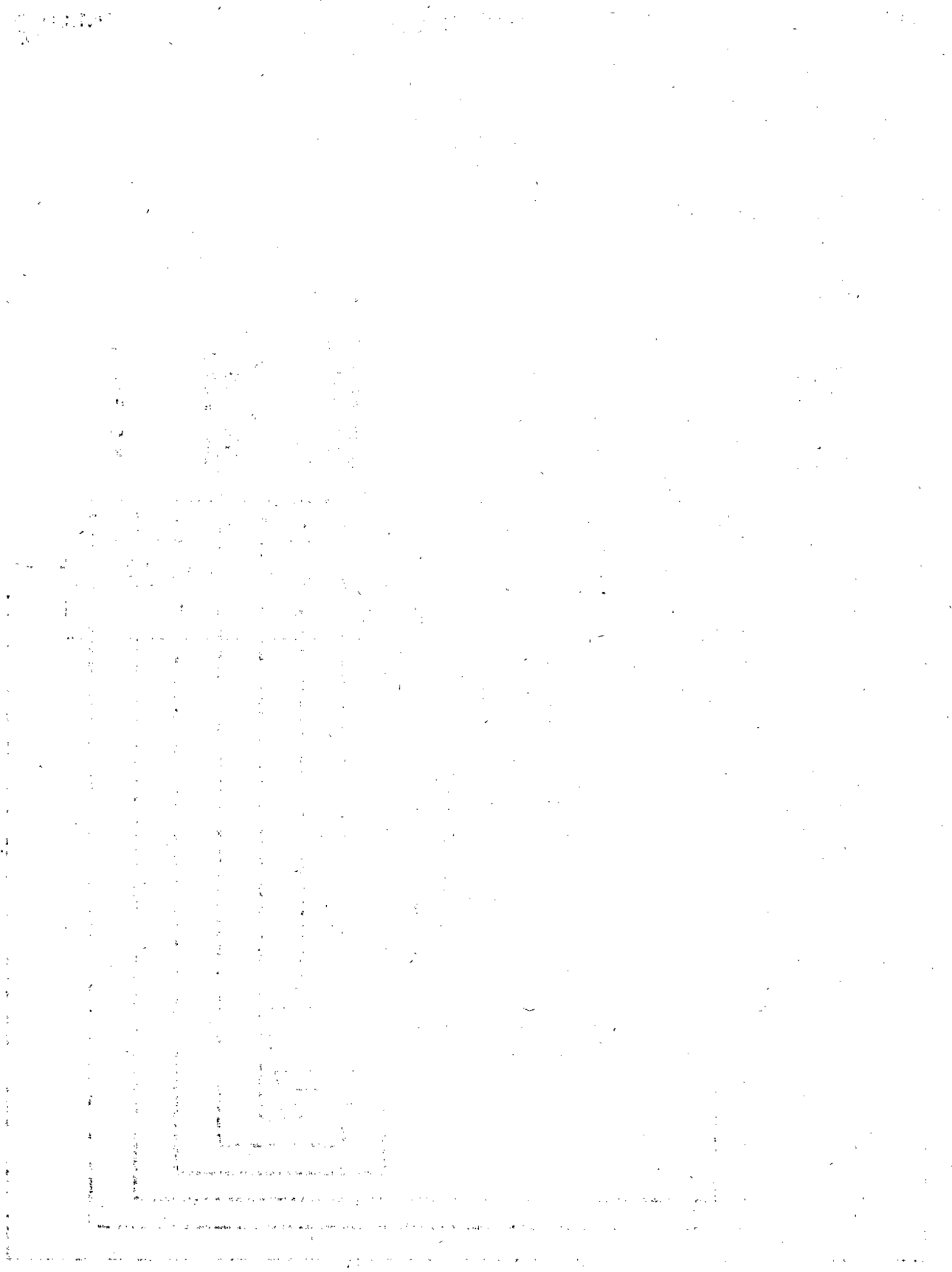


Figure 7-172. Synchro Amplifier, CM-211103, Schematic Diagram

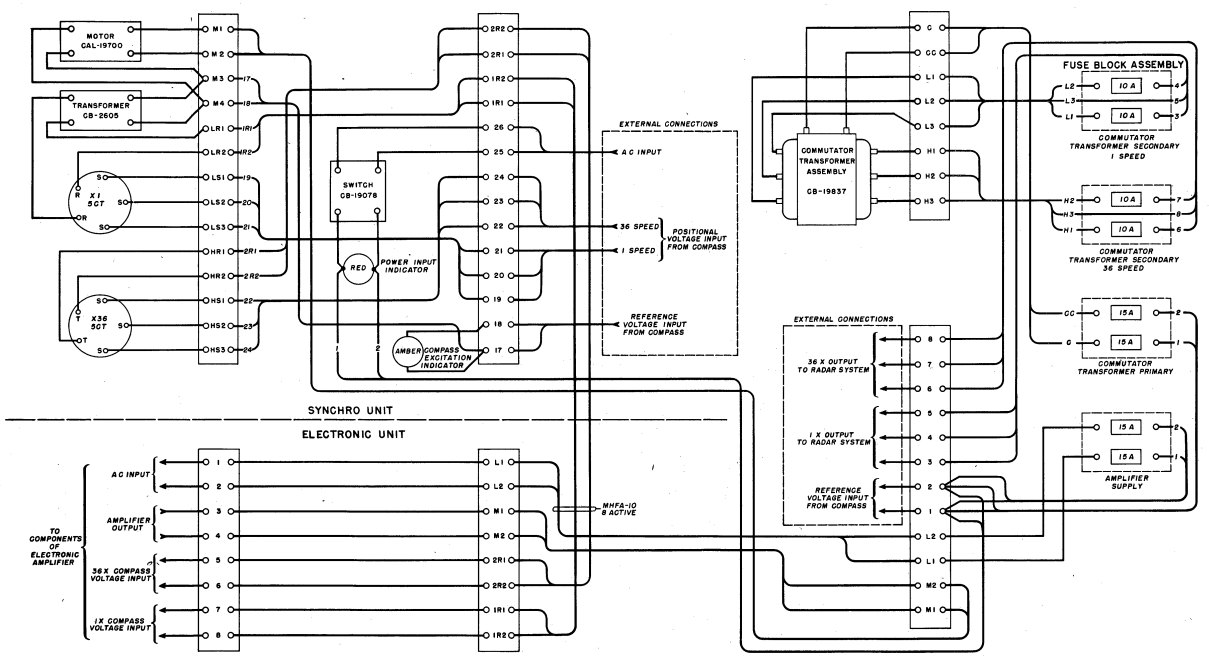


Figure 7-173. Synchro Amplifier, CM-211103, Interconnection Diagram

Figure 7-173. Synchro Amplifier, CM-211103, Interconnection Diagram

Drawing not available; to be supplied as a revision sheet.

Figure 7-174. Synchro Amplifier, CM-211103, Wiring Diagram

ORIGINAL

**7-273
7-274**

Figure 7-174. Synchro Amplifier, CM-211103, Wiring Diagram

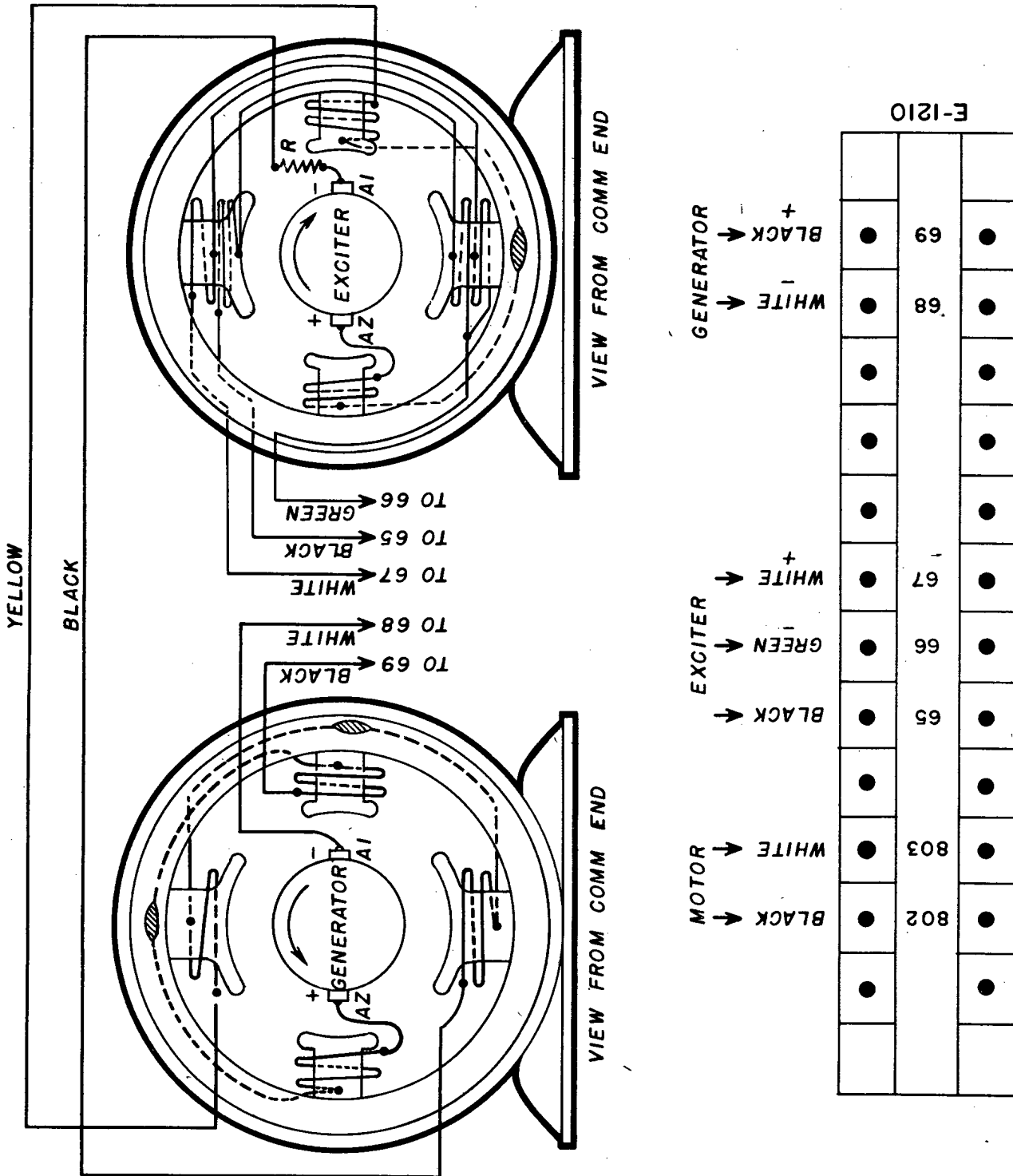
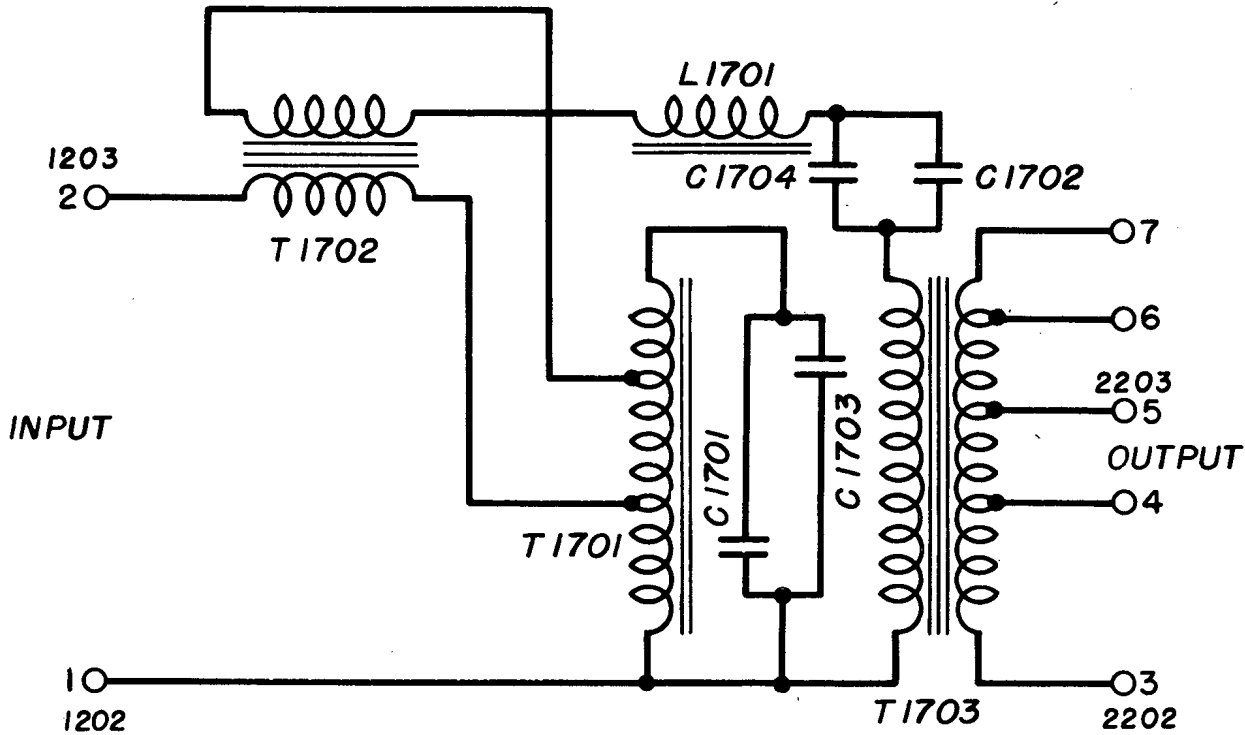


Figure 7-175. Servo Generators, CAY-211192 and CAY-211192A, Wiring Diagram

7-275
7-276

ORIGINAL

Figure 7-175. Servo Generators, CAY-211192 and CAY-211192A, Wiring Diagram



MODEL SR AND SR-5 VOLTAGE STABILIZER
SCHEMATIC DIAGRAM

OUTPUT VOLTS	LINES ON
110	3 AND 4
115	3 AND 5
120	3 AND 6
125	3 AND 7

Figure 7-176. Voltage Stabilizer, CG-301252, Schematic Diagram

ORIGINAL

7-277
7-278

Figure 7-176. Voltage Stabilizer, CG-301252, Schematic Diagram

Drawing not available; to be supplied as a revision sheet.

Figure 7-177. Voltage Stabilizer, CG-301252, Wiring Diagram

ORIGINAL

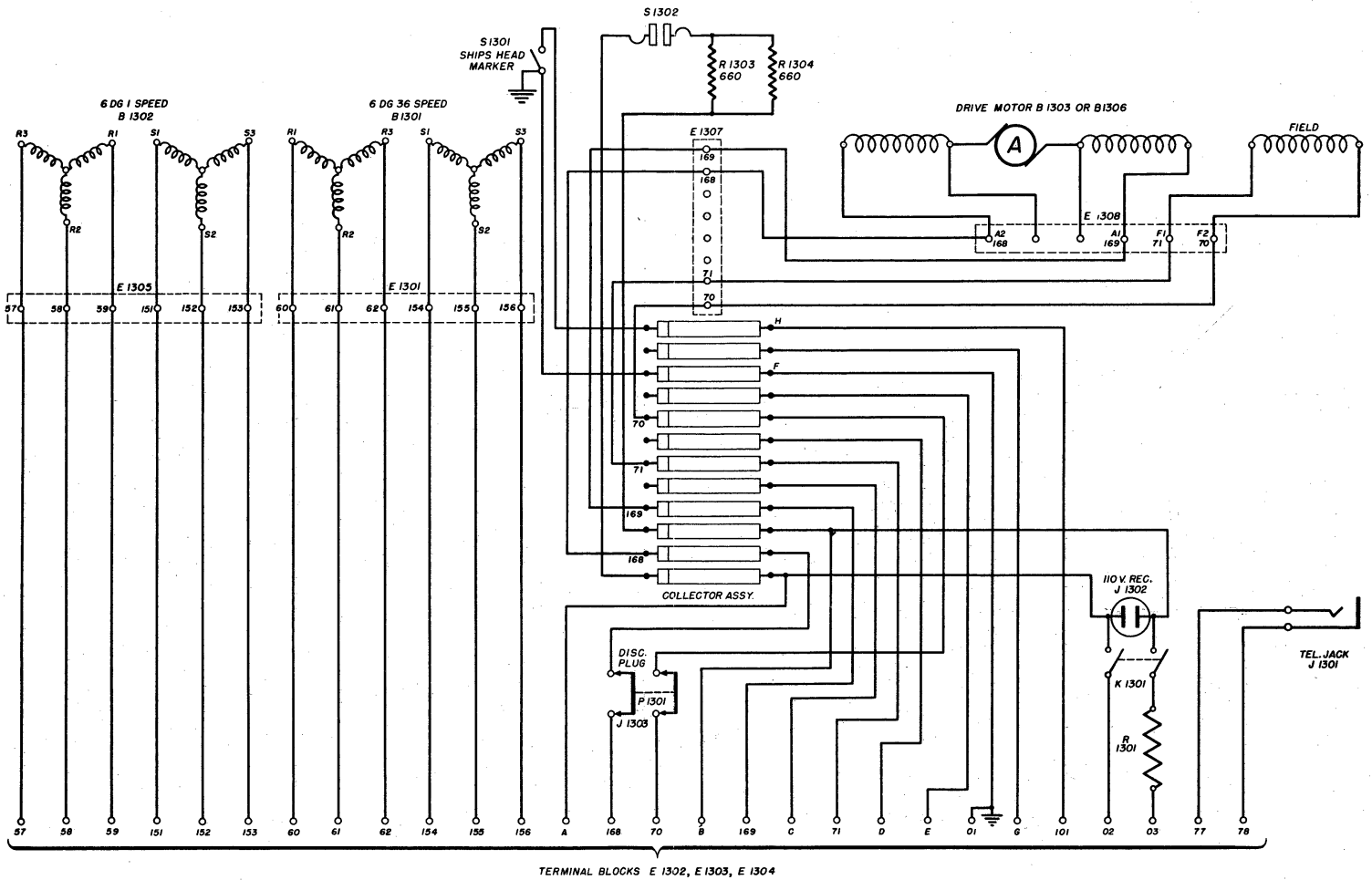
**7-279
7-280**

Figure 7-177. Voltage Stabilizer, CG-301252, Wiring Diagram

CORRECTIVE MAINTENANCE

NAVSHIPS 900,946

SECTION 7



TERMINAL BLOCKS E 1302, E 1303, E 1304

Figure 7-178. Antenna Pedestal, CAJS-21ACP, Schematic Diagram

ORIGINAL

7-281
7-282

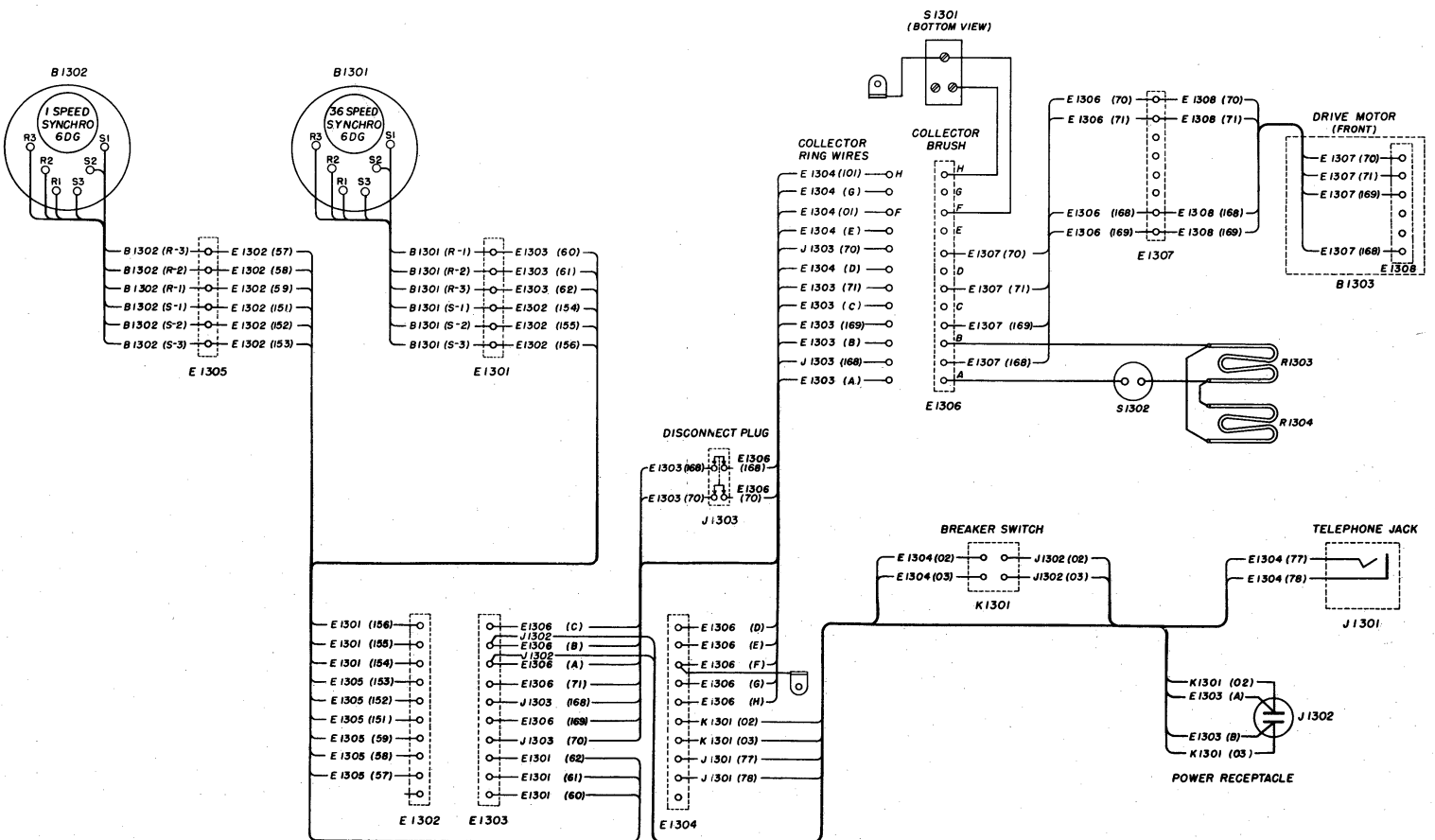
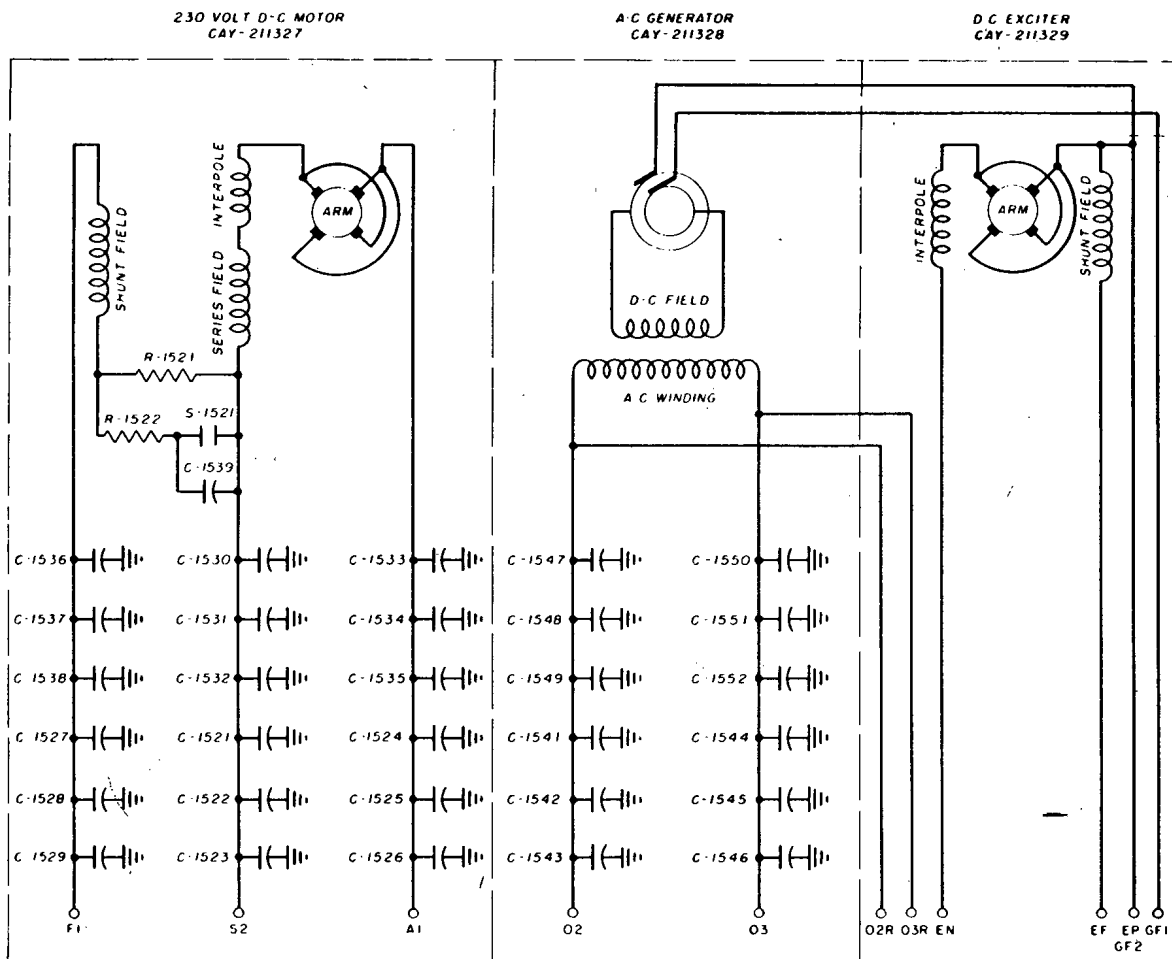
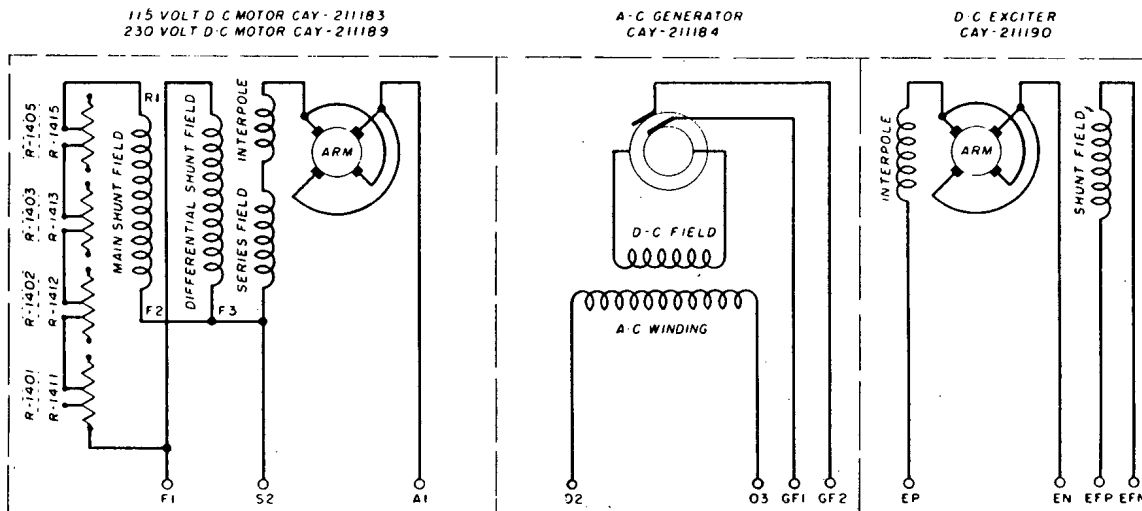


Figure 7-179. Antenna Pedestal, CAJS-21ACP, Wiring Diagram



10 KW D-C TO A-C MOTOR-GENERATOR SET CAY-211326



10 KW D-C TO A-C MOTOR-GENERATOR SET
115 VOLT INPUT CAY-211182
230 VOLT INPUT CAY-211188

NOTE SYMBOL NUMBERS ENCLOSED WITHIN
DOTTED LINES APPLY TO M G TYPE
CAY 211182, THE OTHERS APPLY TO
M G TYPE CAY-211188

Figure 7-180. Motor Generators, CAY-211182, CAY-211188 and CAY-211326, Schematic Diagram

Figure 7-180. Motor Generators, CAY-211182, CAY-211188 and CAY-211326, Schematic Diagram

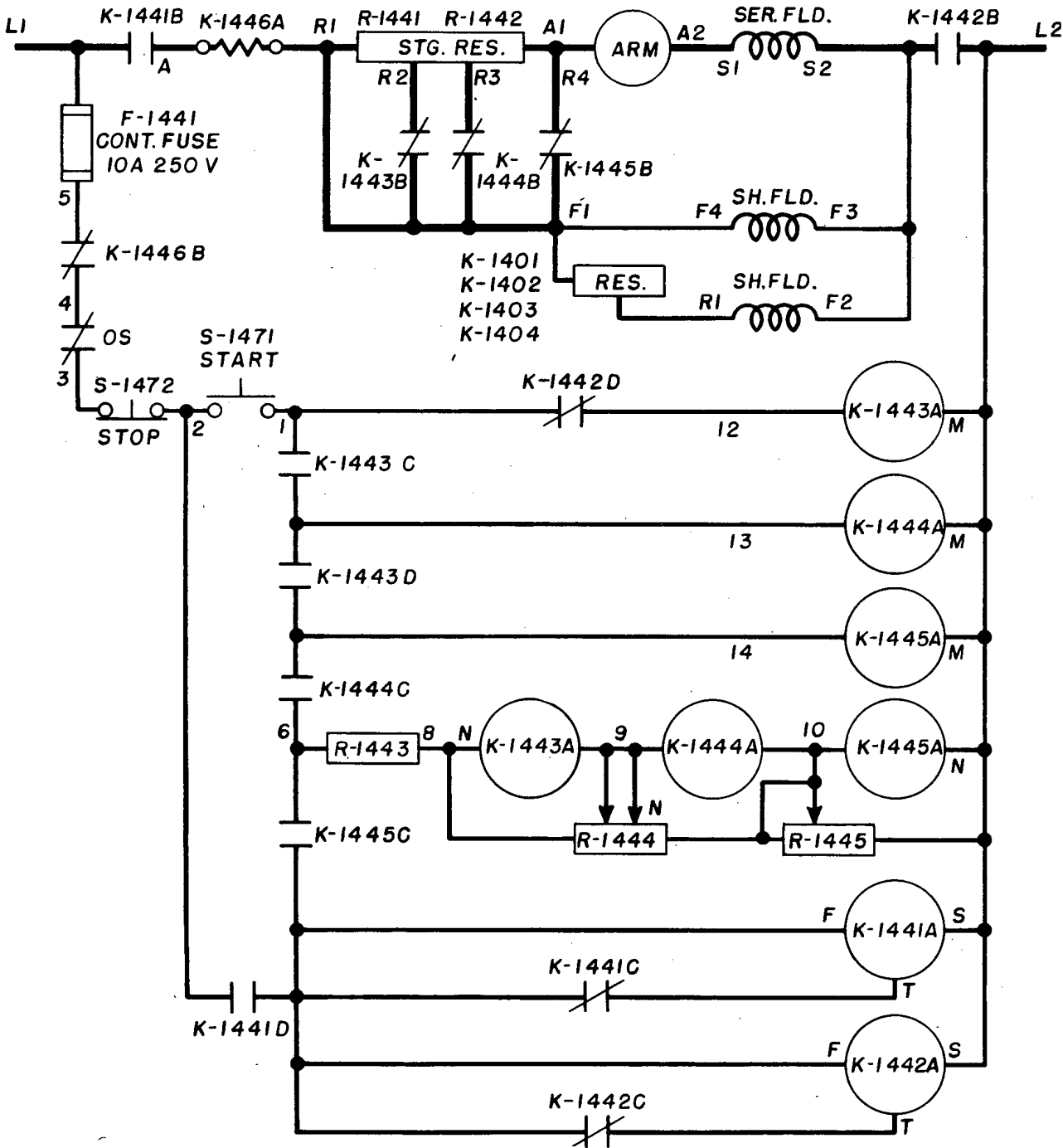
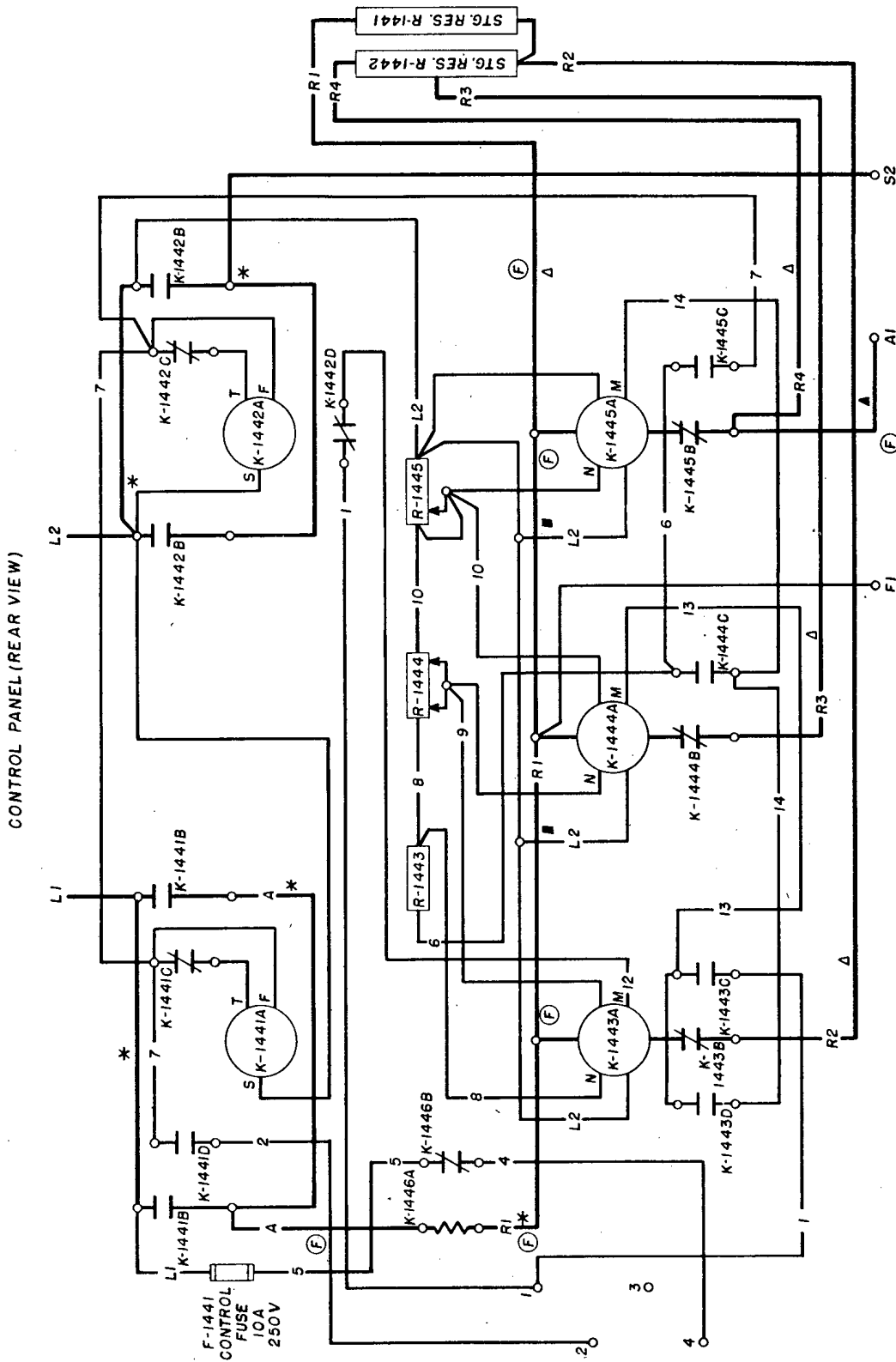


Figure 7-181. Magnetic Controller (115 V.) Schematic Diagram

ORIGINAL

7-287
7-288

Figure 7-181. Magnetic Controller (115 V.) Schematic Diagram



NOTES

ALL WIRING TO BE #12(10.0BI DIA.) W # 7914-11 (ASBESTOS INSULATED 300V) WIRE EXCEPT AS SPECIFIED.
 Δ = .162 DIA WIRE W # 7419-3 (ASBESTOS INSULATED AND ASBESTOS BRAID COVERED 600V)
 * = .258 DIA. WIRE W # 7419 -1 (VARNISHED CAMBRIC ASBESTOS INSULATED COTTON BRAID 600V)
 ■ = 1/8 X 5/8 C. BAR
 ▲ = .204 DIA. WIRE W # 2003-1 (BARE COPPER WIRE)

Figure 7-182. Magnetic Controller (115 V.) Wiring Diagram

ORIGINAL

**7-289
7-290**

Figure 7-182. Magnetic Controller (115 V.) Wiring Diagram

CORRECTIVE MAINTENANCE

SECTION 7

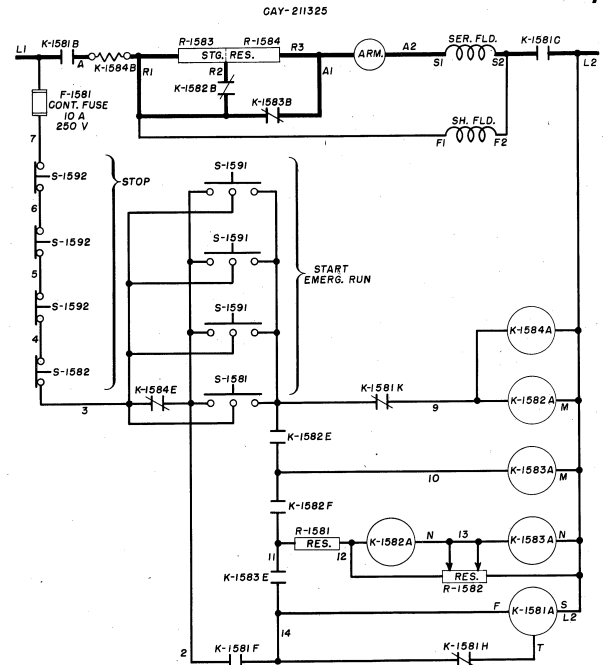
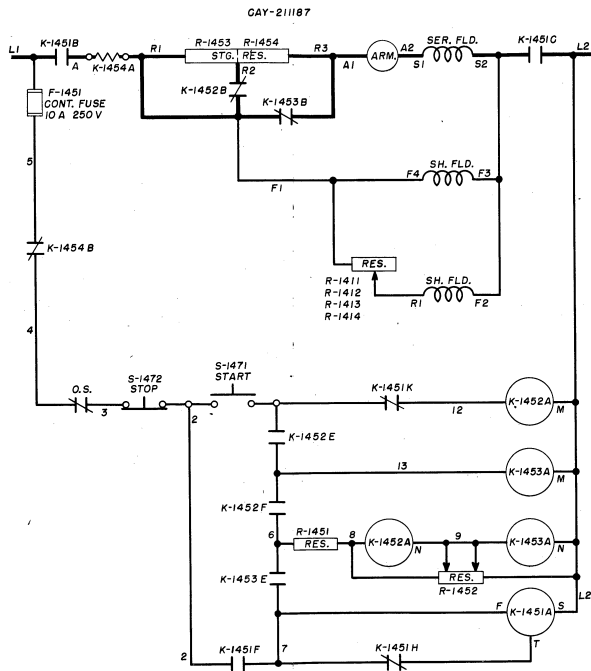


Figure 7-183. Magnetic Controller (230 V.) Schematic Diagram

ORIGINAL

Figure 7-183. Magnetic Controller (230 V.) Schematic Diagram

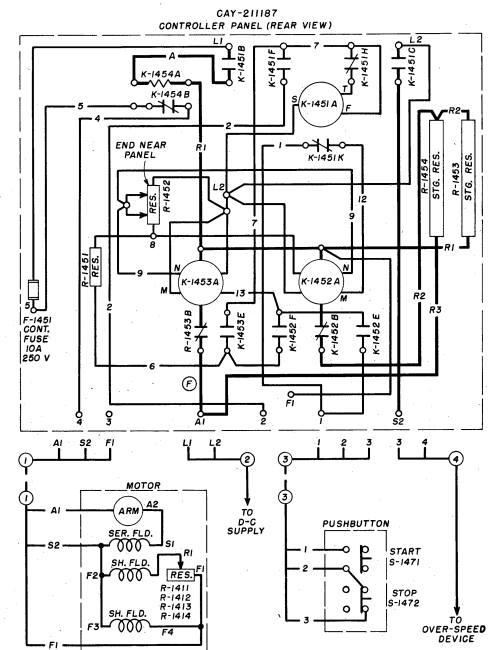
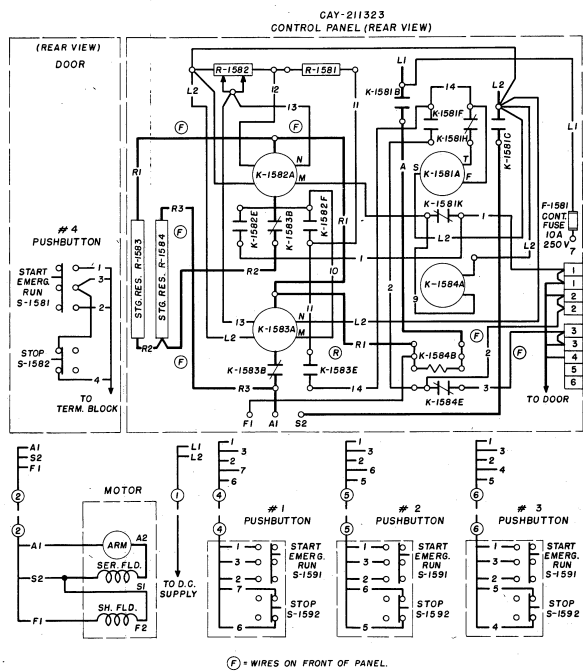
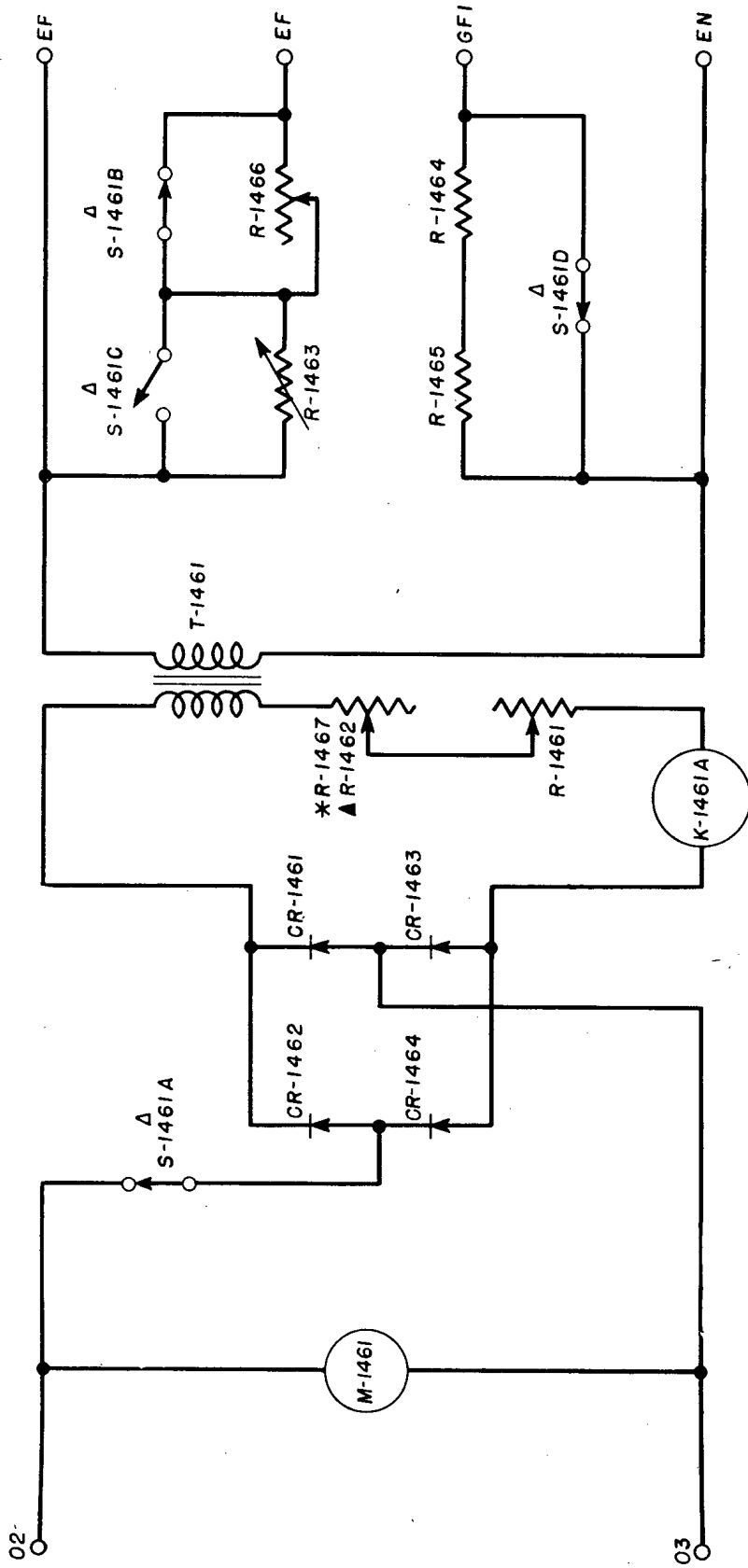


Figure 7-184. Magnetic Controller (230 V.) Wiring Diagram

Figure 7-184. Magnetic Controller (230 V.) Wiring Diagram



NOTES
 Δ = R-1462 USED ONLY WITH CAY-211185
 * = R-1467 USED ONLY WITH CAY-211185A
 Δ = SWITCH S-1461 IS SHOWN IN THE "AUTOMATIC" POSITION

Figure 7-185. Voltage Regulator, Schematic Diagram

ORIGINAL

7-295
 7-296

Figure 7-185. Voltage Regulator, Schematic Diagram

VOLTAGE REGULATOR PANEL (FRONT VIEW)

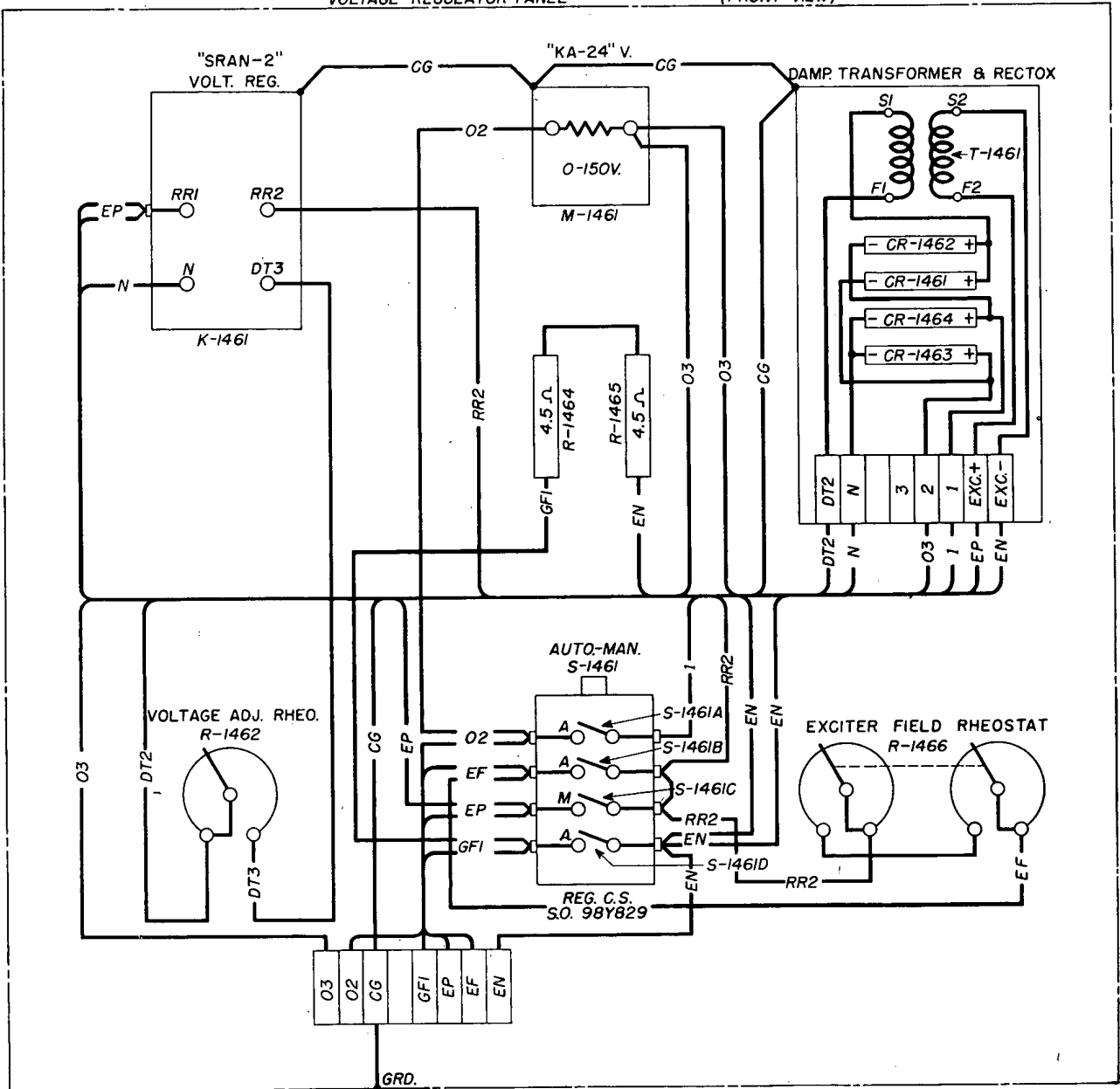


Figure 7-186. Voltage Regulator, Wiring Diagram

ORIGINAL

7-297
7-298

Figure 7-186. Voltage Regulator, Wiring Diagram

TABLE 8-1
LIST OF MAJOR UNITS

FOR NAVY MODELS SR AND SR-a RADAR EQUIPMENTS

Drawing Index	Quantity		Symbol Group	Navy Type Designation	Name of Major Unit	Assembly Drawing Number
	SR					
	Contract NXsr-30306	Contract NXsr-46032				
7715741	1	1	100 to 150	CAY-43ACM	Transceiver	DL-7502639 G1
7715741	0	0	100 to 150	CAY-43ADK	Transceiver	DL-7502639 G9
7715742	1	1	150 to 199	CAY-67AAD	Keyer Unit	DL-7502697 G1
7715743	1	1	201 to 299	CAY-46ADK	Monitor Receiver	DL-7502686 G1
7715744	1	1	300 to 399	CAY-55AFD	Monitor Scope	DL-7502690 G1
7715745	1	1	400 to 499	CAY-23AEW	General Control	DL-7502653 G5
7715746	1	0	500 to 599, 5000 to 5199	CAY-55ADV	P. P. I. Indicator	DL-7502650 G1
7715746	0	1	500 to 599, 5000 to 5199	CAY-55ADV-1	P. P. I. Indicator	DL-7502650 G5
7715747	1	1	600 to 699	CAY-55AFB	Range Scope	DL-7502649 G1
7715748	1	1	700 to 799	CAY-46ADH	Console Receiver	DL-7502654 G1
7715749	1	1	800 to 899	CAY-55AFC	Bearing Indicator	DL-7502651 G5
7715749	0	0	800 to 899	CAY-55AGT	Bearing Indicator	DL-7502651 G6
7715750	1	1	900 to 999	CAY-23AEV	I. F. F. Coordinator	DL-7502652 G3
7715751	1	1	1000 to 1099		Indicator Console Case for CAY-46ADJ	DL-7502637 G1, G2, G3
7715751	0	0	1000 to 1099		Indicator Console Case for CAY-46ADJ-1	DL-7502637 G36, G37 G38
7715752	1	1	1100 to 1199	CAY-50AEB CAY-50AEU CAY-20ACY	Rotation Control Unit Consisting of: Servo Amplifier Rectifier Power Unit	DL-7502860 G1

ORIGINAL

LIST OF MAJOR UNITS

NAVSHIPS 900,946

SECTION 8

TABLE 8-1 (Continued)
LIST OF MAJOR UNITS

FOR NAVY MODELS SR AND SR-a RADAR EQUIPMENTS

Drawing Index	Quantity		Symbol Group	Navy Type Designation	Name of Major Unit	Assembly Drawing Number
	SR					
	Contract NXsr-30306	Contract NXsr-46032				
7715752	0	0	1100 to 1199	CAY-50AGE CAY-50AGF CAY-20ADU	Rotation Control Unit Consisting of: Servo Amplifier Rectifier Power Unit	DL-7502860 G5
7715753	1	0	1200 to 1299	CAY-211192 CAY-211193 CAY-211194	Servo Generator Consisting of: A. C. Motor D. C. Generator 220 V. D. C.	S# 1180245
7715753	0	1	1200 to 1299	CAY-211192A CAY-211193A CAY-211194A	Servo Generator Consisting of: A. C. Motor D. C. Generator 220 V. D. C.	DL-7502861 G1
7715754	1	1	1300 to 1399, 13201 to 13299	CAJS-21ACP.	Antenna Pedestal	DL-7502702 G1
7715754	1	1		COE211432	Antenna Drive Motor	
7715754	0	0	1300 to 1399, 13201 to 13299	CAJS-21ADD.	Antenna Pedestal	DL-7502702 G5
7715755	1	1	1400 to 1499	CAY-211181	Power Equipment Consisting of: Magnetic Controller, 115 V. D. C.	DL-7502705 SH.2, L7
7715755	1	0	1400 to 1499	CAY-211182 CAY-211183 CAY-211184 CAY-211190 CAY-211185 CAY-211185A CAY-211186 CAY-211187 CAY-211188 CAY-211189 CAY-211184 CAY-211190	Power Equipment Consisting of; 115 V. D. C. Motor Generator Consisting of: 115 V. D. C. Motor A. C. Generator 125 V. D. C. Generator Voltage Regulator Voltage Regulator Push Button Station Magnetic Controller 230 V. D. C. 230 V. D. C. Motor Generator Consisting of: 230 V. D. C. Motor A. C. Generator 125 V. D. C. Generator	DL-7502703 G4
	1	0				DL-7502703 G3
	0	1				DL-7502969 G3
	1	0				DL-7502705 SH.2, L9
	1	0				DL-7502705 G5
7715756	0	1	1500 to 1599	CAY-211325 CAY-211326 CAY-211327	Power Equipment Consisting of: Magnetic Controller 230 V. D. C. Motor Generator Consisting of: 230 V. D. C. Motor	DL-7502971 L20 DL-7502969 G2
	0	1				

ORIGINAL

	0 0	3 1		CAY-211328 CAY-211329 CAY-24299 CWU-24429	A. C. Generator 115 V. D. C. Generator Push Button Station Disconnect Line Switch	DL-7502971 L23 DL-7502971 G4
7715757	1	1	1600 to 1699	CAKB-10AEK	Auto Dehydrator	DL-7502869 G1
7715758	1	1	1700 to 1799	CG-301252	Voltage Stabilizer	DL-7502942 G1
7715759	1	1	1800 to 1899	CAY-10313	Indicator Console Cradle	DL-7502637 G15
7715759	1	1	1800 to 1899	CAY-10314	R. C. U. Cradle	DL-7502637 G13
7715760	0	0	1900 to 1999 19000 to 19499	CM-50202	D. G. Amplifier	DL-7503251 G1
7716602	0	0	2001 to 2099	CAY-50AGU	Modulator	DL-7503325 G1
7715761			13000 to 13099 Prefix of Navy Type Number may be either COD-Daunt Mfg. Co. or CLP- Lewyt Corp.	-66AHE -66AHF -66AHG -66AHH -66AHJ	Blue Antenna Yellow Green Antenna Purple Dipole Orange Dipole Mark IV Dipole Group	DL-7502698 G1 DL-7502698 G2
7715762	1	1	13000 to 13199	CAY-66AHK	Echo Box Antenna	DL-7502699 G1

LIST OF MAJOR UNITS

NAVSHIPS 900,946

SECTION 8

TABLE 8-2

COMBINED PARTS AND SPARE PARTS LIST BY SYMBOL DESIGNATION

FOR NAVY MODELS SR AND SR-a RADAR EQUIPMENTS

See Notes	Symbol Desig.	Function	Description	Navy Type Number	Navy Spec. or Drawing Number	Mfr.	Mfr. Desig.	Special Tol. Rating or Modification	Contractor's Drawing and Part Number	Equip.		Tender		All Symbol Designations Involved	
										Box Number	Quantity	Box Number	Quantity		Stock
TRANSCIVER CAY-43ACM															
	B-101	Motor—Variac Drive	Speed Reducer Motor, Gear Ratio 15:1 115 Rpm, 115 Volts, 60 Cycles, Single Phase, Capacitor Start and Run, Connected for Three Wire Reversible Circuit, Open Type. To be furnished without Capacitor. Output Shaft in No. 1 (Std.) Position, Oilers to be arranged for Operation with Motor Shaft Vertical and with Gear Housing Down.	-211764		2	NC1-12RH		T-7610980 P1	1	1	31	2	3	B-101
	B-102	Blower and Motor Oscillator Cooling	ILG Special #7 1/2 Aluminum Blower with Direct Connected, Navy Open Type Motor, 1/8 H.P., 115 V. 60 Cycle, Single Phase A.C., in Accordance with Navy 17-M-10 (Int.) Specs. Unit Capacitor 225 C.F.M. at 3400 R.P.M. (Free Delivery).	-211763		3			P-7710293 G1		0		0	0	B-102
	B-102A	Motor Only for B-102	1/8 H.P., 115 V., 60 Cycles, Single Phase A.C.			3			P-7710293	1	1	30	2	3	B-102A
	C-101	Capacitor—Meter By-Pass	.0068 MFD. ±10%, 600 Volts D.C. W., Mica.	CM45A-682M		12			M-7409809 P14	1	1	31	3	5	C-101, C-102, C-103, C-104, C-105
	C-102	Capacitor—Meter By-Pass	Same as C-101.	CM45A-682M											
	C-103	Capacitor—Meter By-Pass	Same as C-101.	CM45A-682M											
	C-104	Capacitor—Meter By-Pass	Same as C-101.	CM45A-682M											
	C-105	Capacitor—Meter By-Pass	Same as C-101.	CM45A-682M											

8-4

SECTION 8

NAVSHIPS 900,946

PARTS AND SPARE PARTS LIST

ORIGINAL

ORIGINAL

C-106	Capacitor—Filter	3 MFD., 8000 Volts, Paper.	-483973-10		1	Type EP S # 1258- 043	T-7610980 P10	3	1	20	3	5	C-106, C-107
C-107	Capacitor—Filter	Same as C-106.	-483973-10										
C-108	Capacitor—Pulse By-Pass	6 MFD., 2000 Volts D.C., Paper.	-48730-10		1		T-7605848 P17	1	1	30	3	5	C-108, C-109
C-109	Capacitor—Bias By-Pass	Same as C-108.	-48730-10										
C-110	Capacitor—Volt- age Regulating	0.75 MFD. ±10%, 2000 Volts D.C., Paper.	-483981-10	RE13A- 488	1	S # 125- 8100	T-7610980 P14	1	1	30	3	5	C-110, C-111
C-111	Capacitor—Volt- age Regulating	Same as C-110.	-483981-10										
C-112	Capacitor—Motor	5 MFD. 330 Volts A.C. Operating, Paper.	-483965-10		12			1	1	31	2	3	C-112
E-101	Board	Terminal Block.			1		M-7412049 G1		0	31	1	1	E-101
E-102	Block	Terminal Block and Marker Strip.			1		M-7414729 P1		0	31	1	1	E-102
E-103	Block	Terminal Block.			21	# 12- 142	T-7613007 P3		0	31	1	1	E-103
E-103A	Strip	Marker for E-103.			1		M-7417890 P1		0	31	1	1	E-103A
E-104	Board	Plug Board—Keyer.			1		P-7711087 G1		0	30	1	1	E-104
E-104A	Board	Plug Board—Keyer.			1		P-7711086 G1		0	30	1	1	E-104A
E-105	Strip	Terminal Strip.			21	# 7-142	T-7613007 P6		0	31	1	1	E-105
E-105A	Strip	Marker for E-105.			1		K-7817160 P1		0	33	1	1	E-105A
E-106	Strip	Terminal Strip.			1	K-781- 6380 G-1	T-7613007 P8		0	31	2	2	E-106
E-107	Strip	Terminal Strip.			21	# 15- 141	T-7613007 P9		0	31	1	1	E-107
E-107A	Strip	Marker Strip for E-107.			1		M-7414728 P1		0	31	1	1	E-107A
E-108	Board	Plug Board—Monitor Scope.			1		M-7411895 G1		0	31	1	1	E-108
E-109	Not Used												
E-110	Strip	Terminal Strip for B-101.			21	# 3-141	T-7613007 P13		0	31	1	1	E-110
E-110A	Strip	Marker Strip for E-110.			1	K-781- 8378 P1	T-7613007 P17		0	31	1	1	E-110A

PARTS AND SPARE PARTS LIST

NAVSHIPS 900,946

SECTION 8

TABLE 8-2 (Continued)

COMBINED PARTS AND SPARE PARTS LIST BY SYMBOL DESIGNATION

FOR NAVY MODELS SR AND SR-a RADAR EQUIPMENTS

See Notes	Symbol Desig.	Function	Description	Navy Type Number	Navy Spec. or Drawing Number	Mfr.	Mfr. Desig.	Special Tol. Rating or Modification	Contractor's Drawing and Part Number	Equip.		Tender		All Symbol Designations Involved
										Box Number	Quantity	Box Number	Quantity	
	TRANSCEIVER CAY-43ACM (Continued)													
	E-111	Strip	Terminal Strip for B-102.			21	#2-141		T-7613007 P14	0 32	1 1	1 1	E-111	
	E-112	Strip	Voltage Reg. Terminal Block.			21	#4-142		T-7613007 P15	0 31	1 1	1 1	E-112	
	E-112A	Strip	Marker Strip for E-112			1			K-7817414 P1	0 31	1 1	1 1	E-112A	
	E-113	Not Used												
	E-114	Not Used												
	E-115	Insulator	Stand-Off.			1	S# 867-546		M-7409880 P1	0 31	6 12		E-115, E-122	
	E-116	Not Used												
	E-117	Insulator	Coupling.			1			K-7812682 P1	0 31	1 1	1 1	E-117	
	E-118	Insulator	Stand-Off			1			K-7813061 P1	0 30	1 1	1 1	E-118	
	E-119	Insulator	Stand-Off.	-61061-S		1	S# 867-535		T-7613007 P22	0 31	1 1	1 1	E-119	
	E-120	Insulator	Stand-Off	-61032-S		1	S# 867-547		T-7613007 P23	0 31	4 8	8 8	E-120	
	E-121	Insulator	Stand-Off.	-61216-S		1	S# 867-548		T-7613007 P24	0 30	5 10	10 10	E-121	
	E-122	Insulator	Same as E-115.											
	E-123	Insulator	Link.			1	S# 867-545		T-7613007 P26	0 31	1 1	1 1	E-123	
	E-124	Insulator	Inner Tube Support.			1			K-7812819 P1	0 31	1 2	2 2	E-124	
	E-125	Insulator	Stand-Off Insulator.	-61216-S		1			P-7708566 P5	0 31	4 7	7 7	E-125	
	E-126	Insulator	Support Insulator.			1			K-7816218 P1	0 31	1 2	2 2	E-126	
	E-127	Insulator	Support Insulator.			1			K-7816265 P1	0 31	1 2	2 2	E-127	

ORIGINAL

E-128	Insulator	Lead Thru.			1		K-7809294 P2	0	31	1	2	E-128	
E-129	Insulator	Tuning Stubs.			1		K-7812645 P1	0	31	1	2	E-129	
E-130	Insulator	Duplexer.			1		K-7813065 P1	0	31	3	3	E-130, E-132	
E-131	Not Used												
E-132	Insulator	Same as E-130.											
E-133	Not Used												
E-134	Knob	Hand Knob.			1		T-7606471 G26	0	31	1	1	E-134	
E-135	Hand Rail	Molded Hand Rail.			11		P-7708902 P1	0	30	1	1	E-135	
E-136	Spacer	Duplexer.			1		K-7813166 P1	0	31	1	1	E-136	
E-137	Base	Condenser (C-106).			1		M-7412838 P1	0	30	1	1	E-137	
E-138	Spacer	Main Power Switch			1		K-7814632 P1	0	31	2	2	E-138	
E-139	Output Reducer	Assembly.			1	T-761-3892G2	T-7613007 P42	1	1	31	1	2	E-139
* F-101	Fuse Plate Supply	40 Amps., 250 V., Non-Renewable Cartridge Fuse.	-28079-40	17-F-2 (Int.)	4	Cat. # 25040	T-7610980 P23	1	20	31	40	100	F-101, F-102
* F-102	Fuse Plate Supply	Same as F-101.	-28079-40										
F-103	Fuse Filament Supply	20 Amps., 250 V., Non-Renewable Cartridge Fuse.	-28044-20	17-F-2 (Int.)	4	Cat. # 25030	T-7610980 P27	1	80	31	160	400	F-103, F-104, F-105, F-106, F-107, F-109, F-110
F-104	Fuse—Filament Supply	Same as F-103.	-28044-20										
F-105	Fuse—Receiver-Indicator Control	Same as F-103.	-28044-20										
F-106	Fuse—Receiver-Indicator Control	Same as F-103.	-28044-20										
F-107	Fuse—Blower Motor	Same as F-103.	-28044-20										
F-108	Fuse—Variac Drive Motor	3 Amps., 250 Volt, Non-Renewable Cartridge Fuse.	-28044-3	17-F-2 (Int.)	4	Cat. # 25003	T-7610980 P37	1	10	31	20	50	F-108
† F-109	Fuse—T-101-Pri.	Same as F-103.	-28044-20										
† F-110	Fuse—T-101 Pri.	Same as F-103.	-28044-20										

* For SR-a, F-101 and F-102 are 60 amps.—Navy No. 28079-60.

† For SR-a, F-109 and F-110 are 40 amps.—Navy No. 28044-40.

PARTS AND SPARE PARTS LIST

NAVSHIPS 900,946

SECTION 8

TABLE 8-2 (Continued)

COMBINED PARTS AND SPARE PARTS LIST BY SYMBOL DESIGNATION

FOR NAVY MODELS SR AND SR-a RADAR EQUIPMENTS

See Notes	Symbol Desig.	Function	Description	Navy Type Number	Navy Spec. or Drawing Number	Mf.	Mfr. Desig.	Special Tol. Rating or Modification	Contractor's Drawing and Part Number	Equip.		Tender		All Symbol Designations Involved
										Box Number	Quantity	Box Number	Quantity	
TRANSCEIVER CAY-43ACM (Continued)														
	H-101	Clip	Resistor.			1	S# 423-40		T-7613007 P48		0	0	28	H-101, H-106, H-107
	H-102	Clip	Resistor.			1			T-7610465 P10		0	0	4	H-102
	H-103	Clip	Grid Clip.			23	Type 12		T-7613007 P50		0	0	2	H-103
	H-104	Clip	Fuse Clip.			1	S# 423-41		T-7613007 P51		0	0	8	H-104, H-105
	H-105	Clip	Same as H-104.											
	H-106	Clip	Same as H-101.											
	H-107	Clip	Same as H-101.											
	H-108	Clip	Resistor.			1	S# 781-380		T-7613007 P55		0	0	2	H-108
	H-109	Clip	Resistor.			1			T-7610465 P6		0	0	10	H-109
	H-110	Not Used.												
	H-111	Not Used												
	H-112	Not Used												
	H-113	Not Used												
	H-114	Clamp	3 1/2" Can.			1			T-7607958 P5		0	0	1	H-114
	H-115	Clamp	Blower Intake Boot.			1			M-7411744 P1		0	0	1	H-115
	H-116	Clamp	Blower Exhaust Boot.			1			M-7411744 P2		0	0	2	H-116
	H-117	Clamp	Duplexer.			1			M-7410939 G1		0	0	2	H-117
	H-118	Clamp	Duplexer.			1			M-7410955 P1		0	0	1	H-118
	H-119	Clamp	Tuning Stub.			1			M-7410499 P1		0	0	2	H-119

ORIGINAL

H-120 to H-125	Not Used																			
H-126	Terminal	Resistor.		1						K-7814650 P1	0	0	4							H-126
H-127	Terminal	Resistor.		1						K-7814649 P1	0	0	1							H-127
H-128	Terminal	Resistor Tap.		1						K-7814223 P1	0	0	1							H-128
H-129 to H-134	Not Used																			
H-135	Screw	Powerstat.		1						K-7814631 P1	0	0	2							H-135
H-136	Lock	Screw, Shaft-Lock.		1						K-7814397 P1	0	0	1							H-136
H-137	Ring	Locking.		24	#29-761					T-7613008 P86	0	0	3							H-137
H-138	Knob	Lock—Filament Voltage Reg.		1						K-7810092 P1	0	0	1							H-138
H-139	Screw	Thumb.		1						K-7812825 P1	0	0	2							H-139
H-141	Not Used																			
H-142	Not Used																			
H-143	Air Line	Micarta Tubing.		1						M-7415639 P1	0	30	1	2						H-143
H-144	Shorting Strap	Grid Shorting.		1						M-7415692 G1	1	2	32	4	6					H-144
H-145	Plate Connector	Assembly.		1						P-7714078 G1	1	1	31	2	3					H-145
I-101A	Indicator Light—Main Power On	Receptacle, Brass, Dull Black Nickel Finish, Blue Lens.		5	Type D.V. 77SA					T-7610980 P47	1	1	31	1	1					I-101A
I-101B	Lamp for I-101A	Miniature—Bayonet Base, 6 to 8 Volts.	TB-11	1	Mazda Lamp No. 44					T-7610980 P48	1	8	31	16	24					I-101B, I-102B, I-103B, I-104B
I-102A	Indicator—Light Local On	Receptacle, Brass Dull Black Nickel Finish, Amber Lens.		5	Type D.V. 77SA					T-7610980 P49	1	1	31	1	1					I-102A
I-102B	Lamp for I-102A	Same as I-101B.	TB-11																	
I-103A	Indicator Light—Filament On	Receptacle, Brass, Dull Black Nickel Finish, Green Lens.		5	Type D.V. 77SA					T-7610980 P51	1	1	31	1	1					I-103A
I-103B	Lamp for I-103A	Same as I-101B.	TB-11																	

8-9

PARTS AND SPARE PARTS LIST

NAVSHIPS 900,946

SECTION 8

TABLE 8-2 (Continued)

COMBINED PARTS AND SPARE PARTS LIST BY SYMBOL DESIGNATION

FOR NAVY MODELS SR AND SR-a RADAR EQUIPMENTS

See Notes	Symbol Desig.	Function	Description	Navy Type Number	Navy Spec. or Drawing Number	Mfr.	Mfr. Desig.	Special Tol. Rating or Modification	Contractor's Drawing and Part Number	Equip.		Tender		All Symbol Designations Involved		
										Box Number	Quantity	Box Number	Quantity		Stock	
	TRANSCEIVER CAY-43ACM (Continued)															
	I-104A	Indicator Light—Plate On	Receptacle, Brass, Dull Black Nickel Finish, Red Lens.			5	Type D.V. 77SA		T-7610980 P53	1	1	31	1	1	I-104A	
	I-104B	Lamp for I-104A	Same as I-101B.	TB-11												
	J-101A	Receptacle—Duplexer.	Receptacle.	-49194		1			K-7813056 P1	1	1	31	1	2	J-101A	
	J-101B	90° Adapter	Elbow.	-49192		22			T-7610982 P209	1	1	31	1	2	J-101B	
	J-101C	Plug to Receiver	Coaxial Plug Assembly.	-49190		18			T-7610982 P208	1	1	31	1	2	J-101C	
	J-102	I.F. Output	Coaxial Jack Assembly.	-49269		22			T-7610980 P59	1	2	31	3	6	J-102, J-103, J-104	
	J-102A	I.F. Output	Coaxial Plug Assembly.	-49268		22			T-7610980 P60	1	3	31	6	12	J-102A, J-103A, J-104A, P-101, P-102, P-103	
	J-103	Target Antenna Input	Same as J-102.	-49269												
	J-103A	Target Antenna Input	Same as J-102A.	-49268												
	J-104	Sync. Pulse Output	Same as J-102.	-49269												
	J-104A	Sync. Pulse Output	Same as J-102A.	-49268												
	J-105	Utility Outlet	Receptacle, 115 Volts A.C.	-49805		18	MIP-61F		T-7610980 P56	1	1	31	1	2	J-105	
	J-106	Test Point—Grid Pulse	Pin Jack with Insulating Washer.	-49961		37	521		T-7610982 P211	1	1	31	1	2	J-106	
	K-101	Contact—Plate Voltage	5 Pole N.O., 2 Pole N.C., 115 V. 60 Cycles A.C., Coil Impregnated for Navy Shipboard Service.	-291134		11			Y-5933D				0	0	2	K-101

ORIGINAL

K-101A	Spare for K-101, K-106	115 Volts, 60 Cycle Coil Impregnated for Navy Shipboard Service.		11	RC-2-3601	T-7610980 P65	1	1	32	3	5	K-101A
K-101B	Spare for K-101	R.H.—N.C. Aux. Switch.		11	X-44-020	T-7610980 P66	1	1	31	2	3	K-101B
K-101C	Spare for K-101	L.H.—N.C. Aux. Switch.		11	X-44-030	T-7610980 P67	1	1	31	2	3	K-101C
K-102	Contacto— Filament Voltage	2 Pole, N.O. Plus Interlock N.C. 115 V., 60 Cycle Coil to be Impregnated for Navy Shipboard Service.	-291138	11	BUL-702	Y-3298D		0		0	4	K-102, K-103
K-102A	Spare for K-102, K-103	115 V., 60 Cycle Coil to be Impregnated for Navy Shipboard Service.		11	RC-2-3401	T-7610980 P70	1	1	31	3	5	K-102A
	Spare for K-101, K-102, K-103, K-106	Front Stationary Contact.		11	X-33-519	T-7610980 P71	1	7	30	21	35	Front Stationary Contact for K-101, K-102, K-103, K-106
	Spare for K-101, K-102, K-103, K-106	Rear Stationary Contact.		11	X-35-163	T-7610980 P72	1	7	31	21	35	Rear Stationary Contact for K-101, K-102, K-103, K-106
	Spare for K-101, K-102, K-103, K-106	Movable Contacts.		11	X-33-552	T-7610981 P73	1	7	32	21	35	Movable Contact for K-101, K-102, K-103, K-106
	Spare for K-101, K-102, K-103, K-106	Contact Spring.		11	B-101-40	T-7610981 P74	1	7	31	21	35	Spring Contact K-101, K-102, K-103, K-106
K-103	Contacto— Control	Same as K-102.	-291138									
K-104	Relay—Time Delay	1 Pole, N.O. 5 Sec. Operate (Quick Release) 115 V., 60 Cycle Coil Impregnated for Navy Shipboard Service.	-291139	17	Type 1040-80-with Panel	T-7610981 P81	1	1	30	2	3	K-104
K-105	Relay—O' rload	0.1 to 0.4 Amp. D.C. Coil, 115 Volts A.C. Reset.	-29139	1	S# 116-1105 Type MN	P-7710112 P14		0		0	2	K-105
K-105A	Contact for K-105	Stationary.		1	S# 120-2083	T-7610981 P85	1	1	31	2	3	K-105A
K-105B	Contact for K-105	Moving.		1	S# 120-2082	T-7610981 P86	1	1	31	2	3	K-105B

PARTS AND SPARE PARTS LIST

NAVSHIPS 900,946

SECTION 8

8-11

TABLE 8-2 (Continued)

COMBINED PARTS AND SPARE PARTS LIST BY SYMBOL DESIGNATION

FOR NAVY MODELS SR AND SR-a RADAR EQUIPMENTS

See Notes	Symbol Desig.	Function	Description	Navy Type Number	Navy Spec. or Drawing Number	Mfr.	Mfr. Desig.	Special Tol. Rating or Modification	Contractor's Drawing and Part Number	Equip.		Tender		All Symbol Designations Involved	
										Box Number	Quantity	Box Number	Quantity		Stock
	TRANSCEIVER CAY-43ACM (Continued)														
	K-105C	Coil—Reset for K-105				1	S # 115-8889		T-7610981 P87	1	1	31	2	3	K-105C
	K-105D	Coil for K-105	Operating.			1	S # 115-8883		T-7610981 P88	1	1	31	2	3	K-105D
	K-106	Contactor—Keying	5 Pole N.C., 115 V., 60 Cycle A.C. Coil Impregnated for Navy Shipboard Service.	-291135		11			Y-5934-D			0	0	2	K-106
	K-107	Contactor—Condenser Discharge	Solenoid, 115 V., 60 Cycle Coil Impregnated for Navy Shipboard Service.	-303565		11			T-7610981 P94	1	1	31	2	3	K-107
*	K-108	Contactor—Variac Voltage	3 Pole N.O., 1 Pole N.C., 115 V., 60 Cycle A.C. Coil Impregnated for Navy Shipboard Service.	-291138		11	Dwg. Y-3298 D2-Pole Type & X-44020		T-7610981 P95			0	0	2	K-108
	L-101	Not Used													
	L-102	Not Used													
	L-103	Reactor—Plate Variac Balancing	Center Tapped Reactor (Furnished with T-105).	-303564		1	T-5000		T-7610981 P102			0	0	0	L-103
	L-104	Choke—Voltage Reg.	2.3 to 2.7 Microhenries, # 18 Wire.			1			P-7710716 G1			0	32	1	L-104, L-105
	L-105	Choke—Voltage Reg.	5.3 to 5.8 Microhenries, Part of L-104, # 18 Wire.												
	L-106	Not Used													
	L-107	Reactor—Filament Voltage Dropping	.0335 Henries, 7.9 Amps. A.C., 60 Cycle.	-303561		1	R Spec. 1428		T-7610981 P106			0	30	1	L-107
	M-101	Not Used													

* To be used only when reordering an SR-a Transceiver.

ORIGINAL

M-102	Meter—Total Hour	115 Volts, 60 Cycle Hour Meter.	-22199C		1	Type NH-35	T-7610981 P113	0	0	1	M-102		
M-103	Meter—Plate Voltage	0-20 Kilovoltmeter D.C.	MR35WO-20 D.C. Kv.	C39.2	1		M-7409867 P11	1	1	31	1	M-103	
M-104	Meter Plate Current	0-200 Milliamperes D.C.	MR35W20-0 D.C. M.A.	C39.2	1		M-7409868 P15	0	0	0	1	M-104	
M-105	Meter—Grid Current	0-50 Milliammeter D.C.	MR35W05-0 D.C. M.A.	C39.2	1		M-7409868 P11	0	0	0	1	M-105	
M-106	Meter—Filament Voltage	0-15 Volts A.C.	MR35W01-5 A.C. V.V.	C39.2 1943	1		M-7409870 P7	0	0	0	1	M-106	
O-101	Worm Assembly	Worm and Bracket.			1		P-7710397 G1	0	32	1	1	O-101	
O-102	Gear	Worm Wheel.			1		M-7410637 P1	0	32	1	1	O-102	
O-103	Gear	Spur Gear.			1		K-7812871 P1	0	32	1	1	O-103	
O-104	Gear Assembly	Gear and Universal			1		M-7410432 G1	0	32	1	2	O-104	
O-105	Gear	Spur Gear			1		M-7410613 P1	0	32	1	1	O-105	
O-106	Gear	Spur Gear.			1		M-7410614 P1	0	32	1	1	O-106	
O-107	Gear	Miter Gear.			1		M-7410604 P1	0	32	1	2	O-107	
O-108	Gear	Miter Gear.			1		M-7410563 P1	0	32	1	2	O-108	
O-109	Gear Spark Adj.	Gear Assy.			1		P-7710355 G1	0	32	2	2	O-109	
O-110	Dial	Osc. Dial—Grid Tuning.			1		T-7610656 G3	0	32	1	1	O-110	
O-111	Dial	1st Tuning Stub.			1		T-7610656 G1	0	32	1	1	O-111	
O-112	Dial	2nd Tuning Stub.			1		T-7610656 G2	0	32	1	1	O-112	
O-113	Dial	1st Duplexer			1		T-7610656 G4	0	32	1	1	O-113	
O-114	Dial	2nd Duplexer.			1		T-7610656 G5	0	32	1	1	O-114	
O-115	Shockmount	Blower—Rubber.			25	150P-LN-10	T-7613008 P126	1	1	32	4	8	O-115
O-116	Shockmount	Relay Panel.			25	100P-LN-6	T-7613008 P127	1	2	32	8	16	O-116, O-119
O-117A	Shockmount	Cup.			89	74165-04 P1	T-7613008 P128	1	1	31	4	8	O-117A
O-117B	Shockmount	Cushion and Plunger.			89	74165-02 G1	T-7613008 P131	1	1	32	4	8	O-117B

PARTS AND SPARE PARTS LIST

NAVSHIPS 900,946

SECTION 8

TABLE 8-2 (Continued)

COMBINED PARTS AND SPARE PARTS LIST BY SYMBOL DESIGNATION

FOR NAVY MODELS SR AND SR-a RADAR EQUIPMENTS

See Notes	Symbol Desig.	Function	Description	Navy Type Number	Navy Spec. or Drawing Number	Mfr.	Mfr. Desig.	Special Tol. Rating or Modification	Contractor's Drawing and Part Number	Equip.		Tender		All Symbol Designations Involved	
										Box Number	Quantity	Box Number	Quantity		
	TRANSCEIVER CAY-43ACM (Continued)														
	O-118	Shockmount	Rubber.			25	200 P-LN-35		T-7613008 P129	1	2	32	6	12	O-118
	O-119	Shockmount	Same as O-116.												
	O-120	Cam	Switch			1			K-7813733 P1	1	1	32	2	3	O-120
+ , 4	O-121	Cam	Switch.			1			K-7821135 P1	1	1	32	1	1	O-121
*	O-122	Dust Stop	Air Filter— # 1 Filter 10" x 10" x 1" Tk.			26			T-7613009 P152	1	1	31	1	2	O-122
	O-123	Boot	Blower Intake.			1			T-7610553 P1		0	30	1	1	O-123
	O-124	Boot	Blower Exhaust.			1			M-7410654 P1		0	32	1	1	O-124
	O-125	Not Used													
	O-126	Not Used													
	O-127	Grommet	Rubber.			27	Vitalic Type A	Mold # 5276	T-7613009 P162		0	32	1	1	O-127
	O-128	Grommet	Rubber.			1	S# 527-013		T-7613009 P163		0	32	3	3	O-128
	O-129	Grommet	Rubber.			27	Vitalic Type B	Mold # 3721	T-7613009 P164		0	32	1	1	O-129
	O-130	Coupling	Universal.			1			M-7410555 G1		0	32	4	4	O-130
	O-131	Coupling	Collar.			1			M-7410626 G1		0	32	1	1	O-131
	O-132	Electrode	Spark Gap.			1			K-7816749 P1		0	32	1	1	O-132
	O-133	Electrode	Spark Gap.			1			K-7816748 P1		0	32	1	1	O-133
	O-134	Electrode	Spark Gap.			1			K-7814157 P1		0	32	2	2	O-134
	O-135	Electrode	Spark Gap.			1			K-7816788 G1		0	32	1	1	O-135

ORIGINAL

O-136	Electrode	Duplexer Gap.			1		K-7812821 G1	1	16	32	32	64	O-136, O-137
O-137	Electrode	Same as O-136.											
O-138	Plate	Condenser.			1		M-7410621 G1		0	30	2	2	O-138
O-139	Not Used												
O-140	Not Used												
O-141	Plug	Filament Contact Spring.			1		M-7414077 G1		0	0	1	1	O-141
O-142	Gear	Lead Screw Drive Gear.			1		M-7410411 P1		0	32	1	2	O-142
O-143	Slider	Tuning Stubs.			1		P-7710333 G1	1	2	30	6	10	O-143
O-144	Stud	Tuning Stubs.			1		M-7410548 P1		0	0	2	2	O-144
O-145	Contact—Grid	Spring Contact.			1		K-7817909 P1	1	4	32	6	10	O-145
O-146	Shorting Bar	Assembly			1		P-7713578 G1		0	32	1	2	O-146
O-147	Lead Screw	Assembly.			1		K-7817917 G1		0	32	1	2	O-147
O-148	Contact Grid	Sliding Contact.			1		K-7817874 P1	1	4	32	6	10	O-148
O-149	Contact Plate	Spring Contact.			1		K-7817923 P1	1	2	32	4	6	O-149
P-101	Ant. Plug to Rec.	Same as J-102A.	-49268										
P-102	I.F. Plug to Rec.	Same as J-102A.	-49268										
P-103	Target Ant. Plug to Receiver	Same as J-102A.	-49268										
P-104 to P-106	Not Used												
P-109 to P-112	Not Used												
P-113	Plug to Monitor Scope				19	Cat. # 152064	T-7610982 P205	1	2	32	4	8	P-113, P-114, P-115, P-116
P-114	Plug to Monitor Scope	Same as P-113.											
P-115	Plug to Monitor Scope	Same as P-113.											

+ Equipment Spares effective on Units 231 and up.

* On Unit Serial # 265 and up use Air Maze Corp. Type R-82 bronze filter.

4 Tender and Stock Spares effective on Units 201 and up.

PARTS AND SPARE PARTS LIST

NAVSHPIS 900,946

SECTION 8

8-15

TABLE 8-2 (Continued)

COMBINED PARTS AND SPARE PARTS LIST BY SYMBOL DESIGNATION

FOR NAVY MODELS SR AND SR-a RADAR EQUIPMENTS

See Notes	Symbol Desig.	Function	Description	Navy Type Number	Navy Spec. or Drawing Number	Mfr.	Mfr. Desig.	Special Tol. Rating or Modification	Contractor's Drawing and Part Number	Equip.		Tender		All Symbol Designations Involved	
										Box Number	Quantity	Box Number	Quantity		
	TRANSCEIVER CAY-43ACM (Continued)														
	P-116	Plug to Monitor Scope.	Same as P-113.												
	P-117	Monitor Scope Video Plug	Coaxial Plug.	-491458		1			M-7411827 G1	1	1	32	1	2	P-117
	R-101	Resistor—Meter Multiplier	4 Meg., 1 Milliampere Precision Resistor.	-635213-½		16	Type EX-60		T-7610981 P121	1	2	32	3	5	R-101, R-102, R-103, R-104, R-105
	R-102	Resistor—Meter Multiplier	Same as R-101.	-635213-½											
	R-103	Resistor—Meter Multiplier	Same as R-101.	-635213-½											
	R-104	Resistor—Meter Multiplier	Same as R-101.	-635213-½											
	R-105	Resistor—Meter Multiplier	Same as R-101.	-635213-½											
	R-106	Resistor—Multiplier Safety	1000 Ohms ±10%, 1 Watt, Composition.	RC30BF-102K	RE13A-340C	11	Type GB		T-7610981 P126	1	1	32	6	10	R-106, R-107
	R-107	Resistor—Multiplier Safety	Same as R-106.	RC30BF-102K											
	R-108	Resistor—Bias	1 Megohm, 22 Watts, Style A, Grade 1, Class 2.	-632341-10		16	Type 2 Meg.-O Max.		T-7610981 P128	1	1	32	3	5	R-108
	R-109	Resistor—Pulse	20 Ohms, 10 Watts, Style F, Grade 1, Class 2.	-63003F		16	Type 10F		M-7409805 P14	1	1	32	2	3	R-109
	R-110	Resistor—Pulse Line Series	270 Ohms ±10%, 1 Watt, Composition.	RC30BF-271K	RE13A-340C	11	Type GB		T-7610981 P110	1	1	32	3	5	R-110
	R-111	Resistor—Grid Line	4000 Ohms, 20 Watts, Style E, Grade 1, Class 2.	-63014F		16	Type 20F		M-7409804 P37	1	1	32	2	3	R-111

ORIGINAL

R-112	Not Used																			
R-113	Not Used																			
R-114	Resistor—Con- denser Discharge	16,000 Ohms, 120 Watts, Style A, Grade 1, Class 2.	-63888F	16	Type 120F	M-7409800 P43	1	3	32	5	8	R-114, R-124, R-125								
R-115	Resistor—Voltage Dropping	40 Ohms, 120 Watts, Style E, Grade 1, Class 2.	-63180F	16	Type 120F	M-7409800 P17	1	1	32	2	3	R-115								
R-116	Resistor—Voltage Dividing	50 Ohms, 2 Watts.	-632726-10	11	Type J	T-7611594 P4	1	1	32	3	5	R-116								
R-117	Not Used																			
R-118	Resistor—Bias	500 Ohms, 20 Watts.	-63278F	16	Type 20F	M-7409804 P28	1	1	32	3	5	R-118								
R-119	Resistor—Voltage Divider	330,000 Ohms, 5 Watts, 500 Volts.	-633292-15	1		P-7710393 G2	1	1	32	3	5	R-119								
R-120	Resistor—Voltage Divider	6 Megs., 5 Watts, 5000 Volts.	-633286-15	1		P-7710395 G1	1	1	32	3	5	R-120								
R-124	Resistor—Recti- fier Current Limiting	Same as R-114.	-63888F																	
R-125	Resistor—Rectifier Current Limiting	Same as R-114.	-63888F																	
S-101	Switch—Main Power	2 Pole, 70 Ampere Circuit Breaker.	-291079	1	Type AB S# 122- 2007	T-7610982 P145	1	1	32	1	1	S-101								
S-102	Switch—Filament On-Off	3 Amps., 250 Volts, Toggle Switch.	-24115	10		P-7708223 P1	1	1	32	2	3	S-102, S-116, S-117								
S-103	Switch—Start Button	Push Button, Single Button, Two Circuit.	-241053	1	Type SV-2 S# 124- 6468	T-7610982 P147	1	1	32	2	4	S-103, S-104, S-105, S-106								
S-104	Switch—Stop Button	Same as S-103.	-241053																	
S-105	Switch—Raise Button	Same as S-103.	-241053																	
S-106	Switch—Lower Button	Same as S-103.	-241053																	
S-107	Switch—Remote- Local	Cam Lever Switch.	-241030	15		P-7707082 P9	1	1	32	1	1	S-107								

PARTS AND SPARE PARTS LIST

NAVSHIPS 900,946

SECTION 8

8-17

TABLE 8-2 (Continued)

COMBINED PARTS AND SPARE PARTS LIST BY SYMBOL DESIGNATION

FOR NAVY MODELS SR AND SR-a RADAR EQUIPMENTS

See Notes	Symbol Desig.	Function	Description	Navy Type Number	Navy Spec. or Drawing Number	Mfr.	Mfr. Desig.	Special Tol. Rating or Modification	Contractor's Drawing and Part Number	Equip.		Tender		All Symbol Designations Involved	
										Box Number	Quantity	Box Number	Quantity		Stock
	TRANSCEIVER CAY-43ACM (Continued)														
	S-108	Switch—Keying	Cam Lever Switch.	-241000		15 14			P-7707082 P8	1	1	32	1	1	S-108
	S-109	Switch—Variac Lower Limit	S.P.D.T., Microswitch.	-24336		13	Cat. # 8-RS		T-7610982 P153	1	1	32	2	4	S-109, S-110, S-111, S-119
	S-110	Switch—Variac Upper Limit	Same as S-109.	-24336											
	S-111	Switch—Variac Plate Contactor Interlock	Same as S-109.	-24336											
	S-112	Not Used													
	S-113	Not Used													
	S-114	Interlock—Oscillator Door	Interlock Switch.	-24067		1			P-7706809 G1	1	1	32	1	2	S-114, S-115
	S-115	Interlock—Rectifier Tube Door	Same as S-114.	-24067											
	S-116	Switch—Interlock Shorting	Same as S-102.	-24115											
	S-117	Switch—Interlock Shorting	Same as S-102.	-24115											
	S-118	Breaker—Utility Outlet	Circuit Breaker.	-29423		1	Type H Cat. # BHB-2 S#831- 320		T-7610982 P162	1	1	32	1	1	S-118
	S-119	Radiation Control Switch	Same as S-109.	-24336											
	T-101	Transformer—Rectifier Plate	3700 V.A., Single Phase, 60 Cycle 0.483 Amp., 7600 Volts. Sec.; 115 Volts Prim. Insulated for 19 Kv.	-303492		1	R-1431		T-7610982 P168	2	1	18	1	1	T-101

8-18

ORIGINAL

SECTION 8

NAVSHIPS 900,946

PARTS AND SPARE PARTS LIST

ORIGINAL

T-102	Transformer— Rectifier Filament	32.5 Va., Single Phase, 50-65 Cycle 115 Volts Prim. 5.0 Volts, 6.5 Amps. Sec. Insulated for 19 Kv.	-303497	1	R-1432	T-7610982 P169	3	1	21	4	6	T-102, T-103
T-103	Transformer— Rectifier Filament	Same as T-102.	-303497									
T-104	Not Used											
T-105	Regulator— Plate Voltage	Variac O-135 Volts, 4.0 Kva. with Superior Electric Co. Balancing Reactor, their Dwg. DP3031, for Parallel Operation.	-303550	9	Type 1126- 2 PR	T-7610982 P172	0	19	1	1		T-105
T-105A	Brush Holder & Brushes	Assembly.		9	BP- 1005	T-7610982 P182	1	20	32	40	60	T-105A
T-105B	Brush Spring for T-105	Phosphor Bronze.		9	Dwg. # BP-131	T-7610982 P180	1	6	32	12	36	T-105B
T-106	Regulator— Voltage	Variac—To give 1.85 Kw. 115 Volts, 60 Cycle Output with Input 115 Volts, ±11%.	-303628	8	Type RH Tran- stat	T-7610982 P174	0	21	1	1		T-106
T-106A	Brush for T-106	Morganite Brush.		8		S-58658 G1	1	24	32	36	84	T-106A
T-106B	Brush Holder for T-106	Assembly.		8		C-61112 G2	1	1	32	4	6	T-106B
T-107	Transformer— Indicator Light	12 Va., 50-60 Cycle. Wdg. Taps Volts Amps. Turns Res. P 4 to 5 115 .011 1280 72 S1 1 to 2 6.3 1.8 41.5 .135 S2 2 to 3 6.3 1.8 41.5 .135	-303383	1		L-382533	1	1	32	2	3	T-107
T-108	Transformer— Pulse Inversion	600 Watt. Wdg. Taps Volts Amps. Turns Res. Pri. 1 to 2 200 3 25 0.93 Sec. 3 to 4 200 3 25 0.93	-303390	1		L-406824	1	1	32	2	3	T-108
T-109	Transformer— Oscillator Filament	1650 Va., 60 Cycle. Wdg. Taps Volts Amps. Turns Res. Pri. 1 to 2 115 14.4 102 .058 Sec. 3 to 4 5.5 150 5 .0004 Sec. 4 to 5 5.5 150 5 .0004	-303384	1		L-423141	3	1	19	1	1	T-109
V-101 to V-106	Not Used											
V-107	Vacuum Tube— Rectifier	H.V. Half Wave, Rectifier Bayonet Base (No Prongs) Filament 5 Volts, 6 Amps.	-8020	7	GL- 8020	T-7610982 P189	12	6	27	12	0	V-107, V-108

PARTS AND SPARE PARTS LIST

NAVSHIPS 900,946

SECTION 8

8-19

TABLE 8-2 (Continued)

COMBINED PARTS AND SPARE PARTS LIST BY SYMBOL DESIGNATION

FOR NAVY MODELS SR AND SR-a RADAR EQUIPMENTS

See Notes	Symbol Desig.	Function	Description	Navy Type Number	Navy Spec. or Drawing Number	Mfr.	Mfr. Desig.	Special Tol. Rating or Modification	Contractor's Drawing and Part Number	Equip.		Tender		All Symbol Designations Involved
										Box Number	Quantity	Box Number	Quantity	
TRANSCEIVER CAY-43ACM (Continued)														
	V-108	Vacuum Tube—Rectifier	Same as V-107.	-8020										
	V-109	Vacuum Tube—Oscillator	U.H.F. Triode Oscillator Coaxial Socket. Filament 140 Amps. at 5.0	-527		20	527		T-7610982 P191	12	6	27	12	0 V-109, V-110
	V-110	Vacuum Tube—Oscillator	Same as V-109.	-527										
KEYER UNIT CAY-67AAD														
	B-151	Switch Drive Motor	Series Universal Motor, 115 Volts, 5000 R.P.M., Part of S-158.	-211830		2	Type V-10 Cat. # 1611 SPN-55526		T-7610979 P1	0	15	1	2	B-151
	C-151	Capacitor—Tank Circuit	0.1 MFD. ±15%, 1000 V.D.C., Working, Paper.	-48197-B15	RE13A-488D	12	DYR-10010		T-7610979 P5	4	1	15	2	3 C-151
	C-152	Capacitor—Tank Circuit	0.25 MFD. ±5%, 1000 V.D.C., Working, Paper.	-48288-B5	RE13A-488D	12	DYR-10025		T-7610979 P6	4	1	15	2	3 C-152
	C-153	Capacitor—Tank Circuit	1.0 MFD. ±5%, 1000 V. D. C., Working, Paper.	-481338-5	RE13A-488D	12	DYR-10100		T-7610979 P7	4	1	15	2	3 C-153
	E-151	Contact Board, Unit Interconnection Contacts	Micarta, Terminal Board 2¼ x 11⅝ of ⅝ Tk. with Ten Contacts.			1	M-741-1913 G1		T-7611989 P2	0	15	1	1	E-151
	E-152	Contact Board, Unit Interconnection Contacts	Insanol, Terminal Board 2¼ x 3 of ⅝ Tk. with 3 Contacts.			1	K-781-4164 G1		T-7611989 P1	0	15	1	1	E-152
	E-153	Not Used												
	E-154	Knob, Switch	1⅝" Dia., Black Moulded Knob with Pointer.			1	T-760-6473 G16		T-7611989 P4	0	15	1	1	E-154

ORIGINAL

E-155	Not Used														
E-156	Insulator, Stand-Off for Resistor Clip	Moldarta 1" Lg. x 3/4" Sq., # 10-32 Tap, 3/16" Deep Each End.	-611085		1	P-770-8566 P-3	T-7611989 P6		0	15	14	28		E-156	
H-151	Clip	Resistor Clip for 3/16" Ferrules.			1	M-740-3088 P-1	T-7611989 P10		0		0	22		H-151	
H-152	Not Used														
H-153	Clip	Resistor Clip for 1 1/8" Ferrules.			1		K-7818924 P1		0		0	16		H-153	
H-154	Not Used														
H-155	Not Used														
H-156	Stud Motor Driven Switch	Brass Stud, 7 3/8" Lg., .188 Dia. # 10-32, Threaded 1 1/8" and 1 3/8", Nickel Plated.			1	K-781-3625 P-1	T-7611989 P15		0	15	4	4		H-156	
H-157	Stud Motor Driven Switch	Stainless Steel Stud.			1	K-781-6225 P-1	T-7611989 P16		0	15	1	1		H-157	
H-158	Stud Motor Driven Switch	Stainless Steel Shoulder Stud.			1	K-781-6224 P-1	T-7611989 P17		0	15	1	1		H-158	
H-159	Not Used														
H-160	Not Used														
H-161	Handle	Unit Pull Out.			1	M-741-1034 P-1	T-7611989 P20		0		0	2		H-161	
H-162	Washer for Motor Driven Switch	1/2 O.D. x .257 I.D. x .063 Tk. Stainless Steel.			1	K-781-6323 P-1	T-7611989 P21		0	15	1	1		H-162	
H-163	Nut for Motor Driven Switch	Elastic Stop Nut # 10-32 Thd.			50	Cat. # 99M02	T-7611989 P22		0		0	8		H-163	
L-151	Choke—Line Discharge	Choke, 125 Henries, 36 Ma. D.C., Tapped at 60 Henries.	-303562		1	R Spec. 1363	T-7610979 P14		4	1	15	1	1	L-151	
LC-151	Pulse Forming Line	Artificial Line, 1.0 Micro-Second Delay.			1	Net-work 7.5-E-1 200-67P	T-7610979 P20		4	1	15	2	3	LC-151	

ALL ITEMS—Equipment Spares on Units Serials 1 to 300 incl. only. Tender and Stock Spares on Units Serials 1 to 200 incl. only.

PARTS AND SPARE PARTS LIST

NAVSHIPS 900,946

SECTION 8

8-21

TABLE 8-2 (Continued)

COMBINED PARTS AND SPARE PARTS LIST BY SYMBOL DESIGNATION

FOR NAVY MODELS SR AND SR-a RADAR EQUIPMENTS

See Notes	Symbol Desig.	Function	Description	Navy Type Number	Navy Spec. or Drawing Number	Mfr.	Mfr. Desig.	Special Tol. Rating or Modifi- cation	Contractor's Drawing and Part Number	Equip.		Tender		All Symbol Designations Involved	
										Box Number	Quantity	Box Number	Quantity		Stock
KEYER UNIT CAY-67AAD (Continued)															
	LC-152	Pulse Forming Line	Artificial Line, 3.0 Micro-Second Delay.			1	Net- work 7.5-E-3 200- 67P	To be furnish- ed with 3 termi- nal con- nections	T-7610979 P21	4	1	15	2	3	LC-152
	LC-153	Pulse Forming Line	Artificial Line, 16.0 Micro-Second Delay.			1	Net- work 7.5-E-16 60-67P	To be furnish- ed with 3 termi- nal con- nections	T-7610979 P22	4	1	15	2	3	LC-153
	O-151	Clamp	Hook Clamp.			1	K-781- 4627 G-1		T-7611989 P29	0	15	4	4	O-151	
	O-152	Clamp	Hook Clamp.			1	K-781- 4627 G-2		T-7611989 P30	0	15	2	2	O-152	
	O-153	Clamp	3 1/2" Can Clamp.			1	P-771- 0313 G-5		T-7611989 P31	0	15	2	2	O-153	
	O-154	Not Used													
	O-155	Bearing	Motor Driven Switch.			73	A-301-1		T-7611989 P33	0	0	1	1	O-155	
	O-156	Bearing	Motor Driven Switch.			73	A-304- 10		T-7611989 P34	0	0	1	1	O-156	
	O-157	Bearing	Ball, Motor Driven Switch.			69	Cat. # 5561		T-7611989 P35	0	0	1	1	O-157	
	O-158	Not Used													
	O-159	Spring	Detent, Motor Driven Switch.			70			K-7816223 P1	0	15	1	1	O-159	

8-22

ORIGINAL

SECTION 8

NAVSHIPS 900,946

PARTS AND SPARE PARTS LIST

ORIGINAL

O-160	Spring	Motor Driven Switch, Contact Spring	1		M-7411484 P2	0	15	5	5	O-160
O-161	Spring	Motor Driven Switch, Contact Spring	1		M-7411484 P1	0	15	5	5	O-161
O-162	Spring	Motor Driven Switch, Contact Spring	1		M-7414801 P1	0	15	2	2	O-162
O-163	Spring	Motor Driven Switch, Contact Spring	1		M-7414801 P2	0	15	2	2	O-163
O-164	Gear Assembly	Driver Gear-Motor Driven Switch.	1		K-7813636 G1	0	15	1	1	O-164
O-165	Gear Assembly	Driver Gear-Motor Driven Switch.	1		K-7813633 G1	0	15	1	1	O-165
O-166	Gear	Spur Gear.	1		M-7411481 P2	0	15	1	1	O-166
O-167	Gear	Spur Gear.	1		M-7411481 P1	0	15	1	2	O-167
O-168	Gear	Worm Gear.	1		M-7411482 P1	0	15	1	2	O-168
O-169	Worm	Motor Driven Switch.	1		M-7411482 P2	0	15	1	2	O-169
O-170	Not Used									
O-171	Shaft	Motor Driven Switch.	1		M-7411485 P1	0	15	1	1	O-171
O-172	Shaft	Motor Driven Switch.	1		K-7813630 P1	0	15	1	1	O-172
O-173	Not Used									
O-174	Cam	Motor Driven Switch.	1		K-7813638 P1	0	0	0	1	O-174
O-175	Cam	Motor Driven Switch.	1		K-7816226 G1	0	0	0	1	O-175
O-176	Not Used									
O-177	Arm	Positioner, Motor Driven Switch.	1		M-7414049 G1	0	0	0	1	O-177
O-178	Spacer	Motor Driven Switch.	1		K-7813626 P1	0	15	20	20	O-178
O-179	Eyelet	Motor Driven Switch.	2	Cat. # 491	T-7611989 P57	0	15	1	1	O-179
O-180	Support	Rotor, Motor Driven Switch.	1		M-7411486 P1	0	15	5	5	O-180
O-181	Key	Motor Driven Switch.	1		K-7813629 P1	0	15	1	1	O-181
O-182	Plate	Motor Driven Switch.	1		M-7411478 G1	0	15	5	5	O-182
O-183	Positioning Plate Assembly	Motor Driven Switch.	1		P-7710824 G1	0	15	1	1	O-183
O-184	Support	Motor Driven Switch.	1		M-7414802 P1	0	15	1	1	O-184

ALL ITEMS—Equipment Spares on Units Serials 1 to 300 incl. only. Tender and Stock Spares on Units Serials 1 to 200 incl. only.

PARTS AND SPARE PARTS LIST

NAVSHIPS 900,946

SECTION 8

TABLE 8-2 (Continued)

COMBINED PARTS AND SPARE PARTS LIST BY SYMBOL DESIGNATION

FOR NAVY MODELS SR AND SR-a RADAR EQUIPMENTS

See Notes	Symbol Desig.	Function	Description	Navy Type Number	Navy Spec. or Drawing Number	Mfr.	Mfr. Desig.	Special Tol. Rating or Modification	Contractor's Drawing and Part Number	Equip.		Tender		All Symbol Designations Involved	
										Box Number	Quantity	Box Number	Quantity		Stock
	KEYER UNIT CAY-67AAD (Continued)														
	R-151	Resistor—Line Discharge	50,000 Ohms $\pm 5\%$, 90 Watts, Wire Wound, Style B, Grade 1, Class 1.	-63508F	RE13A-372J	16	Type 90F		T-7610979 P28	4	1	15	3	5	R-151
	R-152	Resistor—Line Discharge	6300 Ohms $\pm 5\%$, 20 Watts, Wire Wound, Style E, Grade 1, Class 1.	-632345-5	RE13A-372J	16	Type 20F		T-7610979 P29	4	5	15	15	25	R-152 to R-156, Incl.
	R-153	Resistor—Line Discharge	Same as R-152.	-632345-5											
	R-154	Resistor—Line Discharge	Same as R-152.	-632345-5											
	R-155	Resistor—Line Discharge	Same as R-152.	-632345-5											
	R-156	Resistor—Line Discharge	Same as R-152.	-632345-5											
	R-157	Resistor—Line Discharge	39,000 Ohms $\pm 10\%$, 6 Watts, Wire Wound, Style E, Grade 1, Class 1.	-632344-10	RE13A-372J	16	Type 3 Meg-O-Max.		T-7610979 P34	4	1	15	3	5	R-157
	R-158	Resistor—Line Discharge	10,000 Ohms $\pm 5\%$, 20 Watts, Wire Wound, Style F, Grade 1, Class 1.	-63016F	RE13A-372J	16	Type 20F		T-7610979 P35	4	6	15	18	30	R-158 to R-162, Incl. and R-169
	R-159	Resistor—Line Discharge	Same as R-158.	-63016F											
	R-160	Resistor—Line Discharge	Same as R-158.	-63016F											
	R-161	Resistor—Line Discharge	Same as R-158.	-63016F											
	R-162	Resistor—Line Discharge	Same as R-158.	-63016F											
	R-163	Resistor—Line Discharge	310,000 Ohms $\pm 10\%$, 6 Watts, Wire Wound, Style D, Grade 1, Class 1.	-632342-10	RE13A-372J	16	Type 3 Meg-O-Max.		T-7610979 P40	4	1	15	3	5	R-163

8-24

ORIGINAL

8 SECTION

NAVSHPIS 900,946

PARTS AND SPARE PARTS LIST

ORIGINAL

R-164	Resistor—Line Discharge	25,000 Ohms \pm 10%, 6 Watts, Wire Wound, Style F, Grade 1, Class 1.	-632343-10	RE13A-372J	16	Type 3 Meg-O. Max.	T-7610979 P41	4	5	15	15	25	R-164 to R-168. Incl.	
R-165	Resistor—Line Discharge	Same as R-164.	-632343-10											
R-166	Resistor—Line Discharge	Same as R-164.	-632343-10											
R-167	Resistor—Line Discharge	Same as R-164.	-632343-10											
R-168	Resistor—Line Discharge	Same as R-164.	-632343-10											
R-169	Resistor—Line Discharge	Same as R-158.	-63016F											
S-151	Pulse Length Control	Switch, 1 Pole, 3 Position, One Break per Circuit, 10 Amps., 150 Volts, Rotary Type.			71	Cat. # 111-3	Must withstand 200 hr. 20% salt spray test. To be furnished without knob	T-7610979 P52	4	1	15	1	1	S-151
S-152	Synchronizing Adjustment Control	Switch, 1 Pole, 9 Position, One Break per Circuit, 10 Amps., 150 Volts, Rotary Type.			71		K-781-4144 P1	T-7610979 P53	4	1	15	2	3	S-152, S-153, S-154
S-153	Synchronizing Adjust. Control	Same as S-152.												
S-154	Synchronizing Adjust. Control	Same as S-152.												
S-155	Line Discharge Control	Switch, 1 Pole, 6 Position.			1		T-780 6127 G6	T-7610979 P56	4	1	15	2	3	S-155, S-156, S-157
S-156	Line Discharge Control	Same as S-155.												
S-157	Line Discharge Control	Same as S-155.												
S-158	Switch—Pulse Length	Motor Driven Switch, 5 Pole, 3 Position.			1		T-761-0941G1	T-7610979 P59	4	1	15	1	1	S-158

ALL ITEMS—Equipment Spares on Units Serials 1 to 300 incl. only. Tender and Stock Spares on Units Serials 1 to 200 incl. only.

PARTS AND SPARE PARTS LIST

NAVSHIPS 900,946

SECTION 8

8-25

TABLE 8-2 (Continued)

COMBINED PARTS AND SPARE PARTS LIST BY SYMBOL DESIGNATION

FOR NAVY MODELS SR AND SR-a RADAR EQUIPMENTS

See Notes	Symbol Desig.	Function	Description	Navy Type Number	Navy Spec. or Drawing Number	Mfr.	Mfr. Desig.	Special Tol. Rating or Modification	Contractor's Drawing and Part Number	Equip.		Tender		All Symbol Designations Involved	
										Box Number	Quantity	Box Number	Quantity		Stock
KEYER UNIT CAY-67AAD (Continued)															
	S-159	Switch—Motor Control	S.P.D.T. Microswitch, Part of S-158	-24336		68	Cat. # B-RS	To be furnished with A-36 screw terminals and Cat. # JR actuator See also tol. for S-151	T-7610979 P60	4	1	15	1	1	S-159
	T-151	Transformer—Synchronizing	13.3 Va., 55/65 Cycle, 115/500 Volts .265 Amp. AC/.033 Amp. DC., 2500 Volt Insulation, 9 Equal Taps between 5.7 and 8.8 Henries.	-303498		1	R Spec. 1362		T-7610979 P63	4	1	15	2	3	T-151
	T-152	Transformer—Synchronizing	94 Va., 185/205 Cycle, 115/500 Volts, .188 Amp. AC/.022 Amp. DC., 2500 Volt Insulation, 9 Equal Taps between 2.25 and 3.15 Henries.	-303500		1	R Spec. 1370		T-7610979 P64	4	1	15	2	3	T-152
	T-153	Transformer—Synchronizing	39 Va., 185/205 Cycle, 115/500 Volts, .078 Amp. AC and .006 Amp. DC, 2500 Volt Insulation, 9 Equal Taps between 5.7 and 7.8 Henries.	-303499		1	R Spec. 1371		T-7610979 P65	4	1	15	2	3	T-153
MONITOR RECEIVER CAY-46ADK															
	C-201	Capacitor—Trimmer Antenna Coil	5-26 MMF., Variable, Air.	-483978		63			M-7412351 P1	0		0	1		C-201
	C-202	Capacitor—Filter, R.F. Plate	47 MMF. ±10%, Ceramic, 500 V.D.C.W.	-481532-10		62	Class D	Zero Temp. Coeff.	T-7610991 P2	15	1	33	3	4	C-202, C-229, C-234, C-264

8-26

ORIGINAL

SECTION 8

NAVSHIPS 900,946

PARTS AND SPARE PARTS LIST

ORIGINAL

C-203	Capacitor—Blocking, R.F. Plate	30 MMF. $\pm 2\frac{1}{2}\%$, Ceramic, 500 V.D.C.W.	-483626-2 $\frac{1}{2}$	62	Class D	Zero Temp. Coeff.	T-7610991 P3	15	1	33	2	3	C-203, C-206, C-235
C-204	Capacitor—By-Pass, Oscillator Filament	100 MMF. $\pm 10\%$, Ceramic, 500 V.D.C.W.	-481868-10	62	Class C	Zero Coeff. Temp.	T-7610991 P4	15	1	33	3	4	C-204, C-245, C-260, C-261
C-205	Capacitor—Blocking, Oscillator Grid	2.2 MMF. $\pm .25$ MMF., Ceramic, 500 V.D.C.W.	-483977-10	29	NPOK	Zero Coeff. Temp.	T-7610991 P5	15	1	33	2	2	C-205, C-209
C-206	Capacitor—Blocking, Oscillator Plate	Same as C-203.	-483626-2 $\frac{1}{2}$										
C-207A	Capacitor—Tuning, Oscillator	Variable.		1			M-7412638 G1		0		0	1	C-207A, C-207-B, C-207C
C-207B	Capacitor—Tuning, Grid Coil Mixer	Part of C-207A.											
C-207C	Capacitor—Trimmer, Oscillator	Part of C-207A.											
C-208	Not Used												
C-209	Capacitor—Coupling, Oscillator to Mixer	Same as C-205.	-483977-10										
C-210	Not Used												
C-211	Capacitor—By-Pass Mixer Cathode	510 MMF. $\pm 10\%$, Mica, 500 V.D. C.W.	-481660-B10	66 47	1468-LST	Low loss molded bakelite cases, wax impregnated	T-7610991 P12	15	1	33	1	2	C-211
C-212	Capacitor—By-Pass Mixer Plate	5 MMF. $\pm 10\%$, Ceramic, 500 V.D. C.W.	-483974-10	62	Class D	Zero Temp. Coeff.	T-7610991 P13	15	1	33	1	1	C-212

ALL ITEMS—Equipment Spares on Units Serials 1 to 300 incl. only. Tender and Stock Spares on Units Serials 1 to 200 incl. only.

PARTS AND SPARE PARTS LIST

NAVSHIPS 900,946

SECTION 8

TABLE 8-2 (Continued)

COMBINED PARTS AND SPARE PARTS LIST BY SYMBOL DESIGNATION

FOR NAVY MODELS SR AND SR-a RADAR EQUIPMENTS

See Notes	Symbol Desig.	Function	Description	Navy Type Number	Navy Spec. or Drawing Number	Mfr.	Mfr. Desig.	Special Tol. Rating or Modification	Contractor's Drawing and Part Number	Equip.		Tender		All Symbol Designations Involved	
										Box Number	Quantity	Box Number	Quantity		Stock
MONITOR RECEIVER CAY-46ADK (Continued)															
	C-213	Capacitor—Filter Mixer Plate	.0082 MFD. $\pm 10\%$, Mica, 300 V.D. C.W.	CM35C-822K	Am. War Std. C-75.3	6647	CM35-C822K	Low loss molded bakelite cases wax impregnated	T-7610991 P14	15	4	33	11	17	C-213, C-216, C-218, C-221, C-223, C-224, C-226, C-228, C-231, C-233, C-242, C-244, C-258, C-259, C-262, C-263
	C-214	Not Used													
	C-215	Not Used													
	C-216	Capacitor—By-Pass, 1st I.F. Cathode	Same as C-213.	CM35C-822K											
	C-217	Capacitor—By-Pass, 1st I.F. Screen	0.001 MFD. $\pm 10\%$, Mica, 500 V.D. C.W.	CM20C-102K	Am. War Std. C-75.3	6647	CM20-C102K	Low loss molded bakelite cases, wax impregnated	T-7610991 P19	15	2	33	4	6	C-217, C-222, C-227, C-232, C-243
	C-218	Capacitor—Filter, 1st I.F. Plate	Same as C-213.	CM35C-822K											
	C-219	Not Used													
	C-220	Not Used													
	C-221	Capacitor—Coupling, I.F. to Main Receiver	Same as C-213.	CM35C-822K											
	C-222	Capacitor—By-Pass, 2nd I.F. Screen	Same as C-217.	CM20C-102K											

8-28

ORIGINAL

8 SECTION

NAVSHIPS 900,946

PARTS AND SPARE PARTS LIST

ORIGINAL

C-223	Capacitor—Filter, 2nd I.F. Plate	Same as C-213.	CM35C- 822K																	
C-224	Capacitor—By- Pass, 2nd I.F. Cathode	Same as C-213.	CM35C- 822K																	
C-225	Not Used																			
C-226	Capacitor—By- Pass, 1st I.F. Filter	Same as C-213.	CM35C- 822K																	
C-227	Capacitor—By- Pass, 3rd I.F. Screen	Same as C-217.	CM20C- 102K																	
C-228	Capacitor—Filter, 3rd I.F. Plate	Same as C-213.	CM35C- 822K																	
C-229	Capacitor—Coupl- ing, 4th I.F. Grid	Same as C-202.	-481532-10																	
C-230	Capacitor—Pad- ding, 3rd I.F. Plate	24 MMF. $\pm 5\%$, Ceramic, 500 V.D. C.W.	-483975-5	62	Class D	Zero Temp. Coeff.	T-7610991 P34	15	1	33	1	1	C-230							
C-231	Capacitor—By- Pass, 4th I.F. Cathode	Same as C-213.	CM35C- 822K																	
C-232	Capacitor—By- Pass, 4th I.F. Screen	Same as C-217.	CM20C- 102K																	
C-233	Capacitor—Filter, 4th I.F. Plate	Same as C-213.	CM35C- 822K																	
C-234	Capacitor—Coupl- ing, Detector Diode	Same as C-202.	-481532-10																	
C-235	Capacitor—Pad- ding, 4th I.F. Plate	Same as C-203.	-483626-2½																	
C-236	Capacitor—Filter, Detector Load	22 MMF. $\pm 10\%$, Ceramic, 500 V.D. C.W.	-481865-10	62	Class D	Zero Temp. Coeff.	T-7610991 P40	15	1	33	2	2	C-236, C-237							
C-237	Capacitor—Filter, Detector Load	Same as C-236.	-481865-10																	

8-29

PARTS AND SPARE PARTS LIST

NAVSHIPS 900,946

SECTION 8

TABLE 8-2 (Continued)

COMBINED PARTS AND SPARE PARTS LIST BY SYMBOL DESIGNATION

FOR NAVY MODELS SR AND SR-a RADAR EQUIPMENTS

See Notes	Symbol Desig.	Function	Description	Navy Type Number	Navy Spec. or Drawing Number	Mfr.	Mfr. Desig.	Special Tol. Rating or Modification	Contractor's Drawing and Part Number	Equip.		Tender		All Symbol Designations Involved
										Box Number	Quantity	Box Number	Quantity	
	MONITOR RECEIVER CAY-46ADK (Continued)													
	C-238 to C-241	Not Used												
	C-242	Capacitor—By-Pass, Screen Supply	Same as C-213.	CM35C-822K										
	C-243	Capacitor—By-Pass, Echo Box Rectifier Filament	Same as C-217.	CM20C-102K										
	C-244	Capacitor—By-Pass, Echo Box Rectifier Plate	Same as C-213.	CM35C-822K										
	C-245	Capacitor—By-Pass, Echo Box Indicating Meter	Same as C-204.	-481868-10										
	C-246	Capacitor—Filter, B + Supply	10 MFD. ±10%, 600 V.D.C.W.	-482533-10	RE13A-488	1	S # 131-8745		T-7610991 P50	15	1	33	3	5 C-246, C-247
	C-247	Capacitor—Filter, B + Supply	Same as C-246.	-482533-10										
	C-248 to C-257	Not Used												
	C-258	Capacitor—Filter, Bias Supply	Same as C-213.	CM35C-822K										
	C-259	Capacitor—By-Pass, IF Gain Control	Same as C-213.	CM35C-822K										
	C-260	Capacitor—By-Pass, R.F. Filament	Same as C-204.	-481868-10										

8-30

SECTION 8

NAVSHIPS 900,946

PARTS AND SPARE PARTS LIST

ORIGINAL

ORIGINAL

C-261	Capacitor—By-Pass, Oscillator B + Supply	Same as C-204.	-481868-10																	
C-262	Capacitor—By-Pass, B + Supply	Same as C-213.	CM35C-822K																	
C-263	Capacitor—By-Pass Rectifier Filament	Same as C-213.	CM35C-822K																	
C-264	Capacitor—Plate Filter Oscillator	Same as C-202.	-481532-10																	
E-201	Board	Terminal Board		1				P-7713263 G1	0	33	1	1	E-201							
E-202	Board	Terminal Board		1				M-7411798 G1	0	33	1	1	E-202							
E-203	Board	Terminal Board.		21	#9-141			T-7613210 P3	0	33	1	1	E-203							
E-203A	Strip	Terminal Marking.		1				K-7814117 P1	0	33	1	1	E-203A							
E-204	Not Used																			
E-205	Board	Terminal Board.		21	#9-142			T-7613210 P5	0	33	1	1	E-205							
E-205A	Strip	Terminal Marking.		1				K-7814200 P1	0	33	1	1	E-205A							
E-206	Board	Terminal Board.		1				M-7416491 G1	0	33	1	1	E-206							
E-207 to E-209	Not Used																			
E-210	Knob	Potentiometer Knob.		1				P-7709350 G1	0	33	1	2	E-210							
E-211	Not Used																			
E-212	Not Used																			
E-213	Plunger	Ceramic, Switch.		1				K-7813973 G1	15	1	33	1	2	E-213						
E-214	Insulator	Terminal Support		1				M-7407320 P4	0	33	1	1	E-214							
E-215	Insulator	Stand-Off.	-61108-S	1				P-7708566 G3	0	33	1	2	E-215							
E-216	Insulator	Stand-Off.	-61584	1				K-7817413 P2	15	1	33	1	2	E-216						
F-201A	Fuse	2 Amperes, 250 Volts.	-28032-2	4	ACM-2			T-7610992 P73	15	20	33	40	100	F-201A, F-202A						
F-201B	Fuse Holder	Fuse Holder.		4	HCM			T-7610992 P74	15	1	33	1	2	F-201B, F-202B						
F-202A	Fuse	Same as F-201A.	-28032-2																	

PARTS AND SPARE PARTS LIST

NAVSHIPS 900,946

SECTION 8

8-31

TABLE 8-2 (Continued)

COMBINED PARTS AND SPARE PARTS LIST BY SYMBOL DESIGNATION

FOR NAVY MODELS SR AND SR-a RADAR EQUIPMENTS

See Notes	Symbol Desig.	Function	Description	Navy Type Number	Navy Spec. or Drawing Number	Mfr.	Mfr. Desig.	Special Tol. Rating or Modification	Contractor's Drawing and Part Number	Equip.		Tender		All Symbol Designations Involved
										Box Number	Quantity	Box Number	Quantity	
	MONITOR RECEIVER CAY-46ADK (Continued)													
	F-202B	Fuse Holder	Same as F-201B.											
	H-201	Handle	Unit Pull.			1			M-7411034 P1	0	0	2	H-201	
	H-202	Not Used												
	H-203	Not Used												
	H-204	Bushing	Panel Thru.			1			M-7411638 G1	0	0	1	H-204	
	H-205	Nut	Bushing Nut.			1			M-7406684 P4	0	0	1	H-205	
	H-206	Washer "C"	Shaft Retainer.			1			M-7407028 P2	0	0	1	H-206	
	H-207	Not Used												
	H-208	Nut	Spacer.			1			K-7814090 P1	0	0	2	H-208	
	H-209	Ring	Locking Ring.			24	#29-761		T-7613210 P33	0	0	1	H-209	
	H-210	Not Used												
	H-211	Not Used												
	H-212	Not Used												
	H-213	Terminal				1			K-7810427 P1	0	0	3	H-213	
	H-214	Not Used												
	H-215	Terminal				1			M-7408043 P3	0	0	1	H-215	
	H-216	Not Used												
	H-217	Clip	Resistor Clip.			1			M-7403088 P1	0	0	2	H-217	
	H-218	Terminal				86	#20 for #6		T-7613210 P42	0	0	9	H-218	

ORIGINAL

	I-201A	Bulb	1/25 Watt, Neon Bulb, Bayonet Base.	VG-13	1	T2-NE-15		T-7610992 P79	15	4	33	8	12	I-102A, I-202A
	I-201B	Receptacle—Indicating Lamp			5	PLN-844-NE-15-H	To be supplied with black rubber washer	T-7610992 P80	15	1	33	1	2	I-201B, I-202B
†	I-201C	Lens	Clear.		1	S # 822-270		T-7610992 P81	15	1	33	1	2	I-201C, I-202C
	I-202A	Bulb	Same as I-201A.	VG-13										
	I-202B	Receptacle—Indicating Lamp	Same as I-201B.											
†	I-202C	Lens	Same as I-201C.											
	J-201	Receptacle—Antenna Input	Modified Type "N" Army-Navy Standard Connector.	-UG-281/U*	1			P-7714422 G2	15	1	33	1	2	J-201
	J-202	Receptacle—I.F. Output	Modified Type "N" Connector.	-UG-281/U*	1			P-7714422 G1	15	1	33	1	2	J-202
	J-203	Receptacle—Echo Box Input	Type "N" Army-Navy Standard.	UG-22/U	38			T-7610992 P89	15	1	33	1	2	J-203
	J-204	Test Point—Bias Supply	Pin Jack-Contact-Phosphor Bronze Nickel Plated, .0002 to .0003 with Hot Tin Dipped Terminal, Insulating Washers to be Impregnated with Wax for Operation between 0° and 60° C.	-49961	37	# 521		T-7610992 P91	15	2	33	3	6	J-204 to J-206
	J-205	Test Point—Screen Supply	Same as J-204.											
	J-206	Test Point—B + Supply	Same as J-204.											
	K-201	Relay—Echo Box Shorting	115 V., 60 Cycles, 200 Ohms.	-291245	65			M-7411755 G1	15	1	33	2	3	K-201
	L-201	Coil—R.F.	1 Turn, Hairpin Loop.		1			M-7417816 G1		0	33	Δ	Δ	L-201
	L-202	Choke—R.F. Filament	5 Turns, # 20 Copper Wire, Wax Dipped		1			M-7411763 G1		0	33	1	1	L-202

* For replacement use.
 Δ Supplied in separate sub-assemblies only.

† To be used on Unit Serials 1 to 25 incl.

8-33

PARTS AND SPARE PARTS LIST

NAVSHIPS 900,946

SECTION 8

8-34

TABLE 8-2 (Continued)

COMBINED PARTS AND SPARE PARTS LIST BY SYMBOL DESIGNATION

FOR NAVY MODELS SR AND SR-a RADAR EQUIPMENTS

See Notes	Symbol Designation	Function	Description	Navy Type Number	Navy Spec. or Drawing Number	Mfr.	Mfr. Design.	Special Tol. Rating or Modification	Contractor's Drawing and Part Number	Equip.		Tender		All Symbol Designations Involved	
										Box Number	Quantity	Box Number	Quantity		Stock
MONITOR RECEIVER CAY-46ADK (Continued)															
	L-203	Choke—R.F. Plate	17 Turns, #22 Copper Wire.			1			M-7412601G1	0	33	1	1	L-203	
	L-204	Not Used													
	L-205	Coil—Oscillator Grid Plate	Assembled with C-207A.							0	0	Δ	Δ	L-205	
	L-206	Coil—Mixer Grid	Assembled with C-207A.							0	0	Δ	Δ	L-206	
	L-207A	Coil—Primary of I.F.T. (1)	18 Turns of #28 Copper Wire, Single Layer Winding.			1			P-7710422 G4	15	Δ	33	Δ	Δ	L-207A
	L-207B	Coil—Secondary of I.F.T. (1)	22 Turns of #28 Copper Wire, Single Layer Winding.			1			P-7710422 G5	15	Δ	33	Δ	Δ	L-207B
	L-208A	Coil—Primary of I.F.T. (2)	28 Turns of #30 Copper Wire, Single Layer Winding.			1			P-7710422 G6	15	Δ	33	Δ	Δ	L-208A
	L-208B	Coil—Secondary of I.F.T. (2)	22 Turns of #28 Copper Wire, Single Layer Winding.			1			P-7710422 G7	15	Δ	33	Δ	Δ	L-208B
	L-209A	Coil—Primary of I.F.T. (3)	27 Turns of #30 Copper Wire, Single Layer Winding.			1			P-7710422 G10	15	Δ	33	Δ	Δ	L-209A
	L-209B	Coil—Secondary of I.F.T. (3)	23 Turns of #28 Copper Wire, Single Layer Winding.			1			P-7710422 G11	15	Δ	33	Δ	Δ	L-209B
	L-210	Coil Tuning—3rd I.F. Plate	12 Turns of #28 Copper Wire, Single Layer Winding.			1			P-7710422 G1	0	33	2	2	L-210, L-211	
	L-211	Coil Tuning—4th I.F. Plate	Same as L-210.												
	L-212	Not Used													
	L-213	Coil—B+ Filter	10 Henries, 2550 Turns, #29 Wire, 92 Ohm, 0.11 Amp., 500 Volt Insulation.	-301162		1			L-423118	15	1	33	2	3	L-213

ORIGINAL

SECTION 8

NAVSHIPS 900,946

PARTS AND SPARE PARTS LIST

ORIGINAL

L-214	Filter—A.C. Line	2 Sections, 30 Turns per Section, # 18 S.C.C.E., Copper Wire.	-53442	1		L-406820	0	33	1	1	L-214	
L-215	Choke—Oscillator Plate	44 Turns of #36 Copper Wire, Single Layer Winding.		1		M-7419094 G1	0	33	Δ	Δ	L-215, L-216	
L-216	Choke—Oscillator Grid	Same as L-215.					0	33	Δ	Δ		
M-201	Meter—Echo Box Resonance Indicator	0-100 Microamperes, D.C.	MR25W-100DCUA	1	MR25-100-DCUA	T-7610992 P122	0	0	0	1	M-201	
O-201	Shockmount	Chassis.		25	#153-P-6	Monel Metal Parts T-7613210 P48	15	1	33	4	8	O-201, O-202
O-202	Shockmount	Same as O-201.										
O-203	Not Used											
O-204	Not Used											
O-205	Clamp for V-212	Tube.		1		T-7611463 G1	15	1	33	1		O-205
O-206	Clamp for V-210 and V-211	Tube.		1		P-7611463 G17	15	1	33	1	1	O-206
O-207	Clamp for V-204 to V-208 Incl.	Tube.		1		T-7611463 G18	15	2	33	2	3	O-207
O-208	Not Used											
O-209	Clamp	"U" Capacitor.		1		M-7415550 G1	0	33	2	2		O-209
O-210	Clamp	2" Can.		1		P-7710222 P1	0	33	1	1		O-210
O-211	Tuning Tools			85	Cat. # 810 (Code-Depth)	T-7613210 P58	15	1	33	1	2	O-211
O-212	Wrench	Hexagon Key.		75	# 8 SC-R- $\frac{3}{16}$	T-7613210 P59	15	1	33	1	2	O-212
O-213	Wrench	Hexagon Key.		75	# 6 SC-R- $\frac{1}{16}$	T-7613210 P60	15	1	33	1	2	O-213
O-214	Echo Box	Assembly.		1		T-7610687 G1	0	33	1	1		O-214
O-215	Gear	Echo Box Drive		1		M-7411903 P1	0	33	1	1		O-215

Δ Supplied in separate sub-assemblies only.

PARTS AND SPARE PARTS LIST

NAVSHIPS 900,946

SECTION 8

TABLE 8-2 (Continued)

COMBINED PARTS AND SPARE PARTS LIST BY SYMBOL DESIGNATION

FOR NAVY MODELS SR AND SR-a RADAR EQUIPMENTS

See Notes	Symbol Desig.	Function	Description	Navy Type Number	Navy Spec. or Drawing Number	Mfr.	Mfr. Desig.	Special Tol. Rating or Modification	Contractor's Drawing and Part Number	Equip.		Tender		All Symbol Designations Involved	
										Box Number	Quantity	Box Number	Quantity		Stock
MONITOR RECEIVER CAY-46ADK (Continued)															
	O-216	Dial				1			T-7610656 G6	0	33	1	1	O-216	
	O-217	Dial				1			M-7412947 G1	0	33	1	1	O-217	
	O-218	Not Used													
	O-219	Not Used													
	O-220	Pre-Amplifier	Mechanical Sub-Assembly of R.F. Amplifier, Local Osc. and Mixer.			1			P-7715171 G1	0	33	1	1	O-220	
	O-221	Chassis	Echo Box.			1			P-7710510 G1	0		0	2	O-221	
	O-222	Not Used													
	O-223	Not Used													
	O-224	Not Used													
	O-225	Not Used													
	O-226	Board	Resistor.			1			M-7414608 G1	0		0	2	O-226	
	O-227	Shield—1st I.F.	Resistor Board.			1			P-7710969 G1	0		0	2	O-227	
	O-228	Shield—2nd I.F.	Resistor Board.			1			P-7710970 G1	0		0	2	O-228	
	O-229	Shield—3rd I.F.	Resistor Board.			1			P-7710971 G1	0		0	2	O-229	
	O-230	Shield—4th I.F.	Resistor Board.			1			P-7710968 G1	0		0	2	O-230	
	O-231	Insulator Assy.	Insulation.			1			P-7710884 G2	0	33	1	1	O-231	
	R-201	Resistor—Cathode Bias, R.F.	220 Ohms $\pm 10\%$, $\frac{1}{2}$ Watt, Composition.	-63360-221	RE13A-340C	11	EB-2211		T-7610993 P145	15	1	33	3	5	R-201, R-252
	R-202	Resistor—Plate Filter, R.F.	22,000 Ohms $\pm 10\%$, 1 Watt, Composition.	-63288-223	RE13A-340C	11	GB-2231		T-7610993 P146	15	2	33	6	10	R-202, R-203, R-249, R-250

8-36

ORIGINAL

SECTION 8

NAVSHPIS 900,946

PARTS AND SPARE PARTS LIST

ORIGINAL

R-203	Resistor—Plate Filter, Oscillator	Same as R-202.	-63288-223														
R-204	Resistor—Grid Return, Oscillator	22,000 Ohms \pm 10%, $\frac{1}{2}$ Watt, Composition.	-63360-223	RE13A-340C	11	EB-2231	T-7610993 P148	15	1	33	2	3	R-204				
R-205	Resistor—Cathode Bias, Mixer	1200 Ohms \pm 10%, $\frac{1}{2}$ Watt, Composition.	-63360-122	RE13A-340C	11	EB-1221	T-7610993 P149	15	3	33	8	13	R-205, R-214, R-223, R-230, R-237				
R-206	Resistor—Coil Loading, Primary of I.F.T. (1)	4700 Ohms \pm 10%, $\frac{1}{2}$ Watt, Composition.	-63360-472	RE13A-340C	11	EB-4721	T-7610993 P150	15	Δ	33	Δ	Δ	R-206, R-210, R-213, R-216, R-219, R-220, R-234				
R-207	Resistor—Plate Filter, Mixer	0.12 Meg. \pm 10%, 1 Watt, Composition.	-63288-124	RE13A-340C	11	GB-1241	T-7610993 P151	15	.1	33	2	3	R-207				
R-208	Not Used																
R-209	Not Used																
R-210	Resistor—Coil Loading Secondary of I.F.T. (1)	Same as R-206.	-63360-472							Δ		Δ	Δ				
R-211	Resistor—Cathode Bias, 1st I.F.	180 Ohms \pm 10%, $\frac{1}{2}$ Watt, Composition.	-63360-181	RE13A-340C	11	EB-1811	T-7610993 P153	15	2	33	6	10	R-211, R-217, R-224, R-231				
R-212	Resistor—Screen Filter, 1st I.F.	2200 Ohms \pm 10%, $\frac{1}{2}$ Watt, Composition.	-63360-222	RE13A-340C	11	EB-2221	T-7610993 P154	15	2	33	6	10	R-212, R-218, R-225, R-232				
R-213	Resistor—Coil Loading, Primary of I.F.T. (2)	Same as R-206.	-63360-472					15	Δ	33	Δ	Δ					
R-214	Resistor—Plate Filter, 1st I.F.	Same as R-205.	-63360-122														
R-215	Not Used																
R-216	Resistor—Coil Loading, Secondary of I.F.T. (2)	Same as R-206.	-63360-472					15	Δ	33	Δ	Δ					
R-217	Resistor—Cathode Bias, 2nd I.F.	Same as R-211.	-63360-181														
R-218	Resistor—Screen Filter, 2nd I.F.	Same as R-212.	-63360-222														

 Δ Supplied in separate sub-assemblies only.

PARTS AND SPARE PARTS LIST

NAVSHIPS 900,946

SECTION 8

TABLE 8-2 (Continued)

COMBINED PARTS AND SPARE PARTS LIST BY SYMBOL DESIGNATION

FOR NAVY MODELS SR AND SR-a RADAR EQUIPMENTS

See Notes	Symbol Desig.	Function	Description	Navy Type Number	Navy Spec. or Drawing Number	Mfr.	Mfr. Desig.	Special Tol. Rating or Modification	Contractor's Drawing and Part Number	Equip.		Tender		All Symbol Designations Involved	
										Box Number	Quantity	Box Number	Quantity		Stock
MONITOR RECEIVER CAY-46ADK (Continued)															
	R-219	Resistor—Coil Loading, Primary of I.F.T. (3)	Same as R-206.	-63360-472						15	△	33	△	△	
	R-220	Resistor—Coil Loading, Secondary of I.F.T. (3)	Same as R-206.	-63360-472						15	△	33	△	△	
	R-221	Resistor—Detuning Compensator	22 Ohms ±10%, ½ Watt, Composition.	-63360-220	RE13A-340C	11	EB-2201		T-7610993 P165	15	1	33	3	5	R-221, R-222
	R-222	Resistor—Detuning Compensator	Same as R-221.	-63360-220											
	R-223	Resistor—Plate Filter, 2nd I.F.	Same as R-205.	-63360-122											
	R-224	Resistor—Cathode Bias, 3rd I.F.	Same as R-211.	-63360-181											
	R-225	Resistor—Screen Filter, 3rd I.F.	Same as R-212.	-63360-222											
	R-226	Resistor—Grid Return, 4th I.F.	6800 Ohms ±10%, ½ Watt, Composition.	-63360-682	RE13A-340C	11	EB-6821		T-7610993 P170	15	1	33	2	3	R-226
	R-227	Resistor—Terminating	47 Ohms ±10%, ½ Watt, Composition.	-63360-470		11	EB-4701		T-7610993 P171	15	1	33	3	5	R-227, R-242
	R-228	Resistor—Filter Detector Load	10,000 Ohms ±10%, ½ Watt, Composition.	-63360-103		11	EB-1031		T-7610993 P172	15	1	33	3	5	R-228, R-233
	R-229	Not Used													
	R-230	Resistor—Plate Filter, 3rd I.F.	Same as R-205.	-63360-122											
	R-231	Resistor—Cathode Bias, 4th I.F.	Same as R-211.	-63360-181											

8-38

SECTION 8

NAVSHIPS 900,946

PARTS AND SPARE PARTS LIST

ORIGINAL

ORIGINAL

R-232	Resistor—Screen Filter, 4th I.F.	Same as R-212.	-63360-222																	
R-233	Resistor—Cathode Return, Detector	Same as R-228.	-63360-103																	
R-234	Resistor—Diode Load	Same as R-206.	-63360-472																	
R-235	Potentiometer— I.F. Gain Control	2000 Ohms, 2 Watts.	-631219-10		11			P-7711132 P4	15	1	33	3	5	R-235						
R-236	Resistor—Plate Filter, Mixer	0.10 Meg. $\pm 10\%$, 1 Watt, Composition.	-63288-104	RE13A-340C	11	GB-1041		T-7610993 P180	15	1	33	2	3	R-236						
R-237	Resistor—Plate Filter 4th I.F.	Same as R-205.	-63360-122																	
R-238	Resistor—Shunt, Glow Tube	47,000 Ohms $\pm 10\%$, 1 Watt, Composition.	-63288-473	RE13A-340C	11	GB-4731		T-7610993 P182	15	1	33	3	5	R-238, R-251						
R-239	Resistor—Dropping, Bias Supply	56,000 Ohms $\pm 10\%$, 1 Watt, Composition.	-63288-563	RE13A-340C	11	GB-5631		T-7610993 P183	15	1	33	3	5	R-239, R-240						
R-240	Resistor—Dropping, Bias Supply	Same as R-239.	-63288-563																	
R-241	Not Used																			
R-242	Resistor—Line Matching	Same as R-227.	-63360-470																	
R-243	Resistor—Meter Multiplier	.18 Meg. $\pm 10\%$, $\frac{1}{2}$ Watt, Composition.	-63360-184	RE13A-340C	11	EB-1841		T-7610993 P187	15	1	33	2	3	R-243						
R-244	Resistor—Meter Multiplier	1.0 Meg. $\pm 10\%$, $\frac{1}{2}$ Watt, Composition.	-63360-105	RE13A-340C	11	EB-1051		T-7610993 P188	15	1	33	2	3	R-244						
R-245	Resistor—B + Dropping	1000 Ohms $\pm 10\%$, 15 Watts, Grade 1, Class 1, Style F, Wire Wound.	-63364-F	RE13A-372J	16			M-7409805 P31	15	1	33	3	5	R-245						
R-246	Resistor—B + Bleeder	.18 Meg. $\pm 10\%$, 1 Watt, Composition.	-63288-184	RE13A-340C	11	GB-1841		T-7610993 P190	15	1	33	2	3	R-246						
R-247	Resistor—Fuse Indicator Dropping	.12 Meg. $\pm 10\%$, $\frac{1}{2}$ Watt. Composition.	-63360-124	RE13A-340C	11	EB-1241		T-7610993 P191	15	1	33	3	5	R-247, R-248						
R-248	Resistor—Fuse Indicator Dropping	Same as R-247.	-63360-124																	
R-249	Resistor—Plate Filter, Oscillator	Same as R-202	-63288-223																	

△ Supplied in separate sub-assemblies only.

PARTS AND SPARE PARTS LIST

NAVSHIPS 900,946

SECTION 8

8-40

TABLE 8-2 (Continued)

COMBINED PARTS AND SPARE PARTS LIST BY SYMBOL DESIGNATION

FOR NAVY MODELS SR AND SR-a RADAR EQUIPMENTS

SECTION 8

See Notes	Symbol Designation	Function	Description	Navy Type Number	Navy Spec. or Drawing Number	Mfr.	Mfr. Design.	Special Tol. Rating or Modification	Contractor's Drawing and Part Number	Equip.		Tender		All Symbol Designations Involved
										Box Number	Quantity	Box Number	Quantity	
MONITOR RECEIVER CAY-46ADK (Continued)														
	R-250	Resistor—Plate Filter, R.F.	Same as R-202.	-63288-223										
	R-251	Resistor—Shunt, Glow Tube	Same as R-238.	-63288-473										
	R-252	Resistor—Plate Isolation	Same as R-201.	-63360-221										
	S-201	Switch—Relay	S.P.S.T., Toggle Type.	-24000	RE14AA-118A	7		Switch & holding nut to have black nickel or molybdenum finish	T-7610994 P217	15	1	33	1	2 S-201, S-203
	S-202	Switch—Echo Box	Input Line Shorting.			1			P-7710511 G1	15	1	33	1	1 S-202
	S-203	Switch—for Meter Multiplier	Same as S-201.	-24000										
	T-201	Transformer—1st I.F.	Assembly of Coils, Trimmers and Resistors.	-471507		1			T-7610639 G1	15	1	33	2	3 T-201
	T-202	Transformer—2nd I.F.	Assembly of Coils, Trimmers and Resistors.	-471508		1			T-7610639 G2	15	1	33	2	3 T-202
	T-203	Transformer—3rd I.F.	Assembly of Coils, Trimmers and Resistors.	-471509		1			T-7610639 G3	15	1	33	2	3 T-203
	T-204	Transformer—Power Supply	120 V.A., S1, S2, S3—Center Tapped Wdg. Volts Amps. Turns Res. P 115 1.0 318 1.86 S1 620 .118 1800 1.06 S2 6.3 5.5 18.5 .025 S3 5 3 15 .054	-301156		1			L-406806	15	1	33	2	3 T-204

NAVSHIPS 900,946

PARTS AND SPARE PARTS LIST

ORIGINAL

ORIGINAL

V-201	Vacuum Tube— R.F. Amplifier	U.H.F. Triode, 6 Pin Octal Base Heater—6.3 Volts and .75 Amp. Avg.			6	GL- 446A		T-7610994 P232	12	4	26	6	0	V-201, V-203
V-202	Vacuum Tube— Oscillator	Detector, Amplifier, Oscillator, Acorn Type, Heater—6.3 Volts, 0.15 Amp.	-955	RE13A- 600	6	955		T-7610994 P233	12	4	26	6	0	V-202, V-209
V-203	Vacuum Tube— Mixer	Same as V-201.												
V-204	Vacuum Tube— 1st I.F. Amplifier	Television Amplifier Pentode, Octal Socket, Heater—6.3 Volts and 0.45 Amp.	-6AC7/ 1852		6	6AC7/ 1852		T-7610994 P235	12	8	26	12	0	V-204 to V-207
V-205	Vacuum Tube— 2nd I.F. Amplifier	Same as V-204.	-6AC7/ 1852											
V-206	Vacuum Tube— 3rd I.F. Amplifier	Same as V-204.	-6AC7/ 1852											
V-207	Vacuum Tube— 4th I.F. Amplifier	Same as V-204.	6AC7/ 1852											
V-208	Vacuum Tube— Detector	Twin Diode, Octal Socket, Heater— 6.3 Volts, 0.3 Amp.	-6H6		64	6H6		T-7610994 P239	12	2	26	3	0	V-208
V-209	Vacuum Tube— Rectifier, Echo Box	Same as V-202.	-955											
V-210	Gas Tube—Volt- age Regulator Screen Supply	Voltage Regulator, Glow Discharge Octal, 6 Pin Base.	VR-150/30	RE13A- 600	6	VR150- /30		T-7610994 P241	12	4	26	6	0	V-210, V-211
V-211	Gas Tube—Volt- age Regulator R. F. and Oscillator	Same as V-210.	VR-150/30											
V-212	Vacuum Tube— Rectifier B + Supply	Full Wave, High Vacuum Rectifier, Octal Socket, Filament 5.0 Volts, 3.0 Amps.	-5U4G	RE13A- 600	64	5U4G		T-7610994 P243	12	2	26	3	0	V-212
X-201	Socket—R.F. Amplifier	Octal—Ceramic.	-49373	RE49AA- 313A	18	Cat. # SS8		T-7610994 P250	15	1	33	1	2	X-201, X-203
X-202	Socket—Oscil- lator	Acorn Tube Socket, Phosphor Bronze, Terminals Silver Plated.	-49376		19	No. 11- 5026	All un- glazed surfaces to be wax impreg- nated	T-7610994 P251	15	1	33	1	2	X-202, X-209
X-203	Socket—Mixer	Same as X-201.	-49373											

PARTS AND SPARE PARTS LIST

NAVSHPIS 900/946

SECTION 8

8-41

TABLE 8-2 (Continued)

COMBINED PARTS AND SPARE PARTS LIST BY SYMBOL DESIGNATION

FOR NAVY MODELS SR AND SR-a RADAR EQUIPMENTS

See Notes	Symbol Design.	Function	Description	Navy Type Number	Navy Spec. or Drawing Number	Mfr.	Mfr. Desig.	Special Tol. Rating or Modification	Contractor's Drawing and Part Number	Equip.		Tender		All Symbol Designations Involved	
										Box Number	Quantity	Box Number	Quantity		Stock
MONITOR RECEIVER CAY-46ADK (Continued)															
	X-204	Socket—Amplifier, 1st I.F.	Octal Phenolic.	-49374	RE49AA-312A	18	MIP-8TM		T-7610994 P253	15	4	33	4	8	X-204, X-205, X-206, X-207, X-208, X-210, X-211, X-212
	X-205	Socket—Amplifier, 2nd I.F.	Same as X-204.	-49374											
	X-206	Socket—Amplifier, 3rd I.F.	Same as X-204.	-49374											
	X-207	Socket—Amplifier, 4th I.F.	Same as X-204.	-49374											
	X-208	Socket—Detector	Same as X-204.	-49374											
	X-209	Socket—Rectifier, Echo Box	Same as X-202.	-49376											
	X-210	Socket—Voltage Regulator Screen Supply	Same as X-204.	-49374											
	X-211	Socket—Voltage Regulator R.F. and Oscillator	Same as X-204.	-49374											
	X-212	Socket—Rectifier, B + Supply.	Same as X-204.	-49374											
MONITOR SCOPE CAY-55AFD															
	C-301	Capacitor—Input Coupling	.001 MFD. ±10%, 300 V.D.C.W., Ceramic.	-483904-10		29	L-HI-K		T-7610944 P1	4	1	11	1	1	C-301
	C-302	Capacitor—Coupling	510 MMF. ±10%, 500 V.D.C.W., Mica.	-481660-B10		47	1468-LST		T-7610944 P2	4	1	11	2	2	C-302, C-312

8-42

ORIGINAL

SECTION 8

NAVSHPIS 900,946

PARTS AND SPARE PARTS LIST

ORIGINAL

C-303A C-303B	Capacitor—Cathode By-Pass	3 Section, .1 MFD., 600 V.D.C.W., Oil Filled Paper.,	-483971-10	RE13A-488	47	618B	Terms. at Bot.	T-7610944 P3	4	1	11	2	3	C-303A, C-303B, C-303C
C-303C	Capacitor V302B Load Decoupling	Part of C-303A, C-303B.												
C-304	Not Used													
C-305	Capacitor—Coupling	0.5 MFD. ±10%, 600 V.D.C.W., Oil Filled, Paper.	-483972-10	RE13A-488	47	616B	Terms. at Bot.	T-7610944 P5	4	1	11	2	3	C-305
C-306	Capacitor—Coupling	.005 MFD. ±5%, 300 V.D.C.W., Mica.	-483794-B5	RE13A-389	47	1467-LST		T-7610944 P6	4	1	11	1	1	C-306
C-307	Capacitor—Coupling	.1 MFD. ±10%, 600 V.D.C.W., Oil Filled, Paper.	-482535-10	RE13A-488	47	618B	Terms. at Bot.	T-7610944 P7	4	2	11	5	8	C-307, C-315, C-316
C-308	Not Used													
C-309	Capacitor—Sweep Charging	.006 MFD. ±10%, 2500 V.D.C.W., Mica.	-483960-B10	RE13A-389	47	1652-AMLS XMA-CPW-2.5-26		T-7610944 P9	4	1	11	1	1	C-309
C-310	Capacitor—Coupling	.01 MFD. ±20%, 1000 V.D.C.W., Oil Filled, Paper.	-482103-20	RE13A-488	47	1016B	Terms. at Bot.	T-7610944 P10	4	1	11	2	3	C-310
C-311	Capacitor—Coupling	.015 MFD. ±10%, 2500 V.D.C.W., Mica.	-481505-B10	RE13A-389	47	1652-AMLS XMA-CPW-2.5-115		T-7610944 P11	4	1	11	3	4	C-311, C-320, C-325, C-326
C-312	Capacitor—Coupling	Same as C-302.	-481660-B10											
C-313	Capacitor—Coupling	.05 MFD. +20% -3%, 600 V.D.C.W., Oil Filled, Paper.	-482618*	RE13A-488	47	618B	Terms. at Bot.	T-7610944 P13	4	1	11	2	3	C-313
C-314	Capacitor—Coupling	100 MMF. ±10%, 500 V.D.C.W., Ceramic.	-481959-10		29	N750-L100		T-7610944 P14	4	1	11	1	1	C-314
C-315	Capacitor—Coupling	Same as C-307.	-482535-10											
C-316	Capacitor—Coupling	Same as C-307.	-482535-10											

* For replacement use.

PARTS AND SPARE PARTS LIST

NAVSHIPS 900,946

SECTION 8

TABLE 8-2 (Continued)

COMBINED PARTS AND SPARE PARTS LIST BY SYMBOL DESIGNATION

FOR NAVY MODELS SR AND SR-a RADAR EQUIPMENTS

See Notes	Symbol Desig.	Function	Description	Navy Type Number	Navy Spec. or Drawing Number	Mfr.	Mfr. Desig.	Special Tol. Rating or Modification	Contractor's Drawing and Part Number	Equip.		Tender		All Symbol Designations Involved	
										Box Number	Quantity	Box Number	Quantity		Stock
MONITOR SCOPE CAY-55AFD (Continued)															
	C-317	Capacitor—Screen By-Pass	1 MFD. \pm 10%, 500 V.D.C.W., Oil Filled, Paper.	-48553-10	RE13A-488	7	9CE-6A4		T-7610944 P17	4	1	1	2	3	C-317
	C-318	Capacitor—Deflection Plate Coupling	.01 MFD. \pm 20%, 300 V.D.C.W., Mica.	-48854-B20*	RE13A-488	47	1467-LST		T-7610944 P18	4	1	11	1	1	C-318
	C-319	Capacitor—Cathode By-Pass	25 MFD. \pm 20%, 50 V.D.C.W., Electrolytic.	-48864	RE13A-549A	16	1967-4		T-7610944 P19	4	2	11	3	3	C-319
	C-320	Capacitor—Intensity Grid Coupling	Same as C-311.	-481505-B10											
	C-321	Capacitor—H.V. Filter	.1 MFD. \pm 10%, 3000 V.D.C.W., Oil Filled, Paper.	-481275-10	RE13A-488	47	3014		T-7610944 P21	4	1	11	3	5	C-321, C-322
	C-322	Capacitor—H.V. Filter	Same as C-321.	-481275-10											
	C-323	Capacitor—L.V. Filter	10 MFD. \pm 10%, 600 V.D.C.W., Oil Filled, Paper.	-482533-10	RE13A-488	1	S# 131-8745	No Feet	T-7610944 P23	4	1	11	3	5	C-323, C-324
	C-324	Capacitor—L.V. Filter	Same as C-323.	-482533-10											
	C-325	Capacitor—Intensity Grid Coupling	Same as C-311.	-481505-B10											
	C-326	Capacitor—Coupling	Same as C-311.	-481505-B10											
	C-327	Capacitor—By-Pass	.25 MFD. \pm 10%, 400 V.D.C.W., Oil Filled, Paper.	-48288-B10*	RE13A-488	47		To be Type 430 with lugs on top	T-7610944 P27	4	1	11	2	3	C-327

ORIGINAL

C-328	Capacitor—By-Pass	.5 MFD. ±10%, 400 V.D.C.W., Oil Filled, Paper.	-481467-10 or CP50-BIFE504K	RE13A-488	47		To be Type 430 except lugs on top	T-7610944 P28	4	1	11	2	3	C-328
E-301	Spacer	Condenser Insulating Support			1			K-7812032 P1	4	12	11	24	48	E-301
E-302	Insulator	Ceramic Insulator.	-61166		44	#397X ½ Lg.		T-7611784 P2	4	5	11	9	18	E-302, E-305
E-303	Insulator	Ceramic Insulator.	-61489		44	#397X ¾ Lg.		T-7611784 P3	4	1	11	1	2	E-303
E-304	Insulator	Resistor Clip Support.			1			M-7409876 P1		0	11	4	8	E-304
E-305	Insulator Tube Socket	Same as E-302.	-61166											
E-306	Insulator	Ceramic Insulator.	-61415		44	#395X ½ Lg.		T-7611784 P6	4	1	11	1	2	E-306
E-307	Connection Board	Terminal Board.			1			M-7411896 G1		0	11	1	1	E-307
E-308	Not Used.													
E-309	Not Used													
E-310	Knob	Potentiometer Knob.			1			P-7709350 G2		0	11	3	6	E-310
E-311	Knob	Switch Knob.			1			P-7708220 P2		0	11	1	1	E-311
Δ F-301A	H.V. Primary Fuse	¼ Amp., 250 Volts, non-renewable, ferrule type, ¼ dia. x 1¼ lg. glass body	-28053-¼		31	3AG-1264		T-7610944 P37	4	10	11	20	50	F-301A
F-302A	L.V. Primary Fuse	3 Amps., 250 Volts, non-renewable, ferrule type, ¼ dia. x 1¼ lg. glass body	-28032-3		31	3AG-1043		T-7610944 P38	4	10	11	20	50	F-302A
F-301B	H.V. Fuse Holder	Extractor type fuse holder for 3AG cartridge fuse, black bakelite case, metal parts, corrosion resistant, 2¾ lg. x ¾ dia. overall, mtg. ⅝-18 thds.			4	HCM		T-7610944 P53	4	1	11	1	2	F-301B, F-302B
F-302B	L.V. Fuse Holder	Same as F-301B.												
H-301	Handle	Unit Pull Handle.			1			M-7411034 P1		0	0	0	2	H-301
H-302	Thumb Screw	Bezel Thumb Screw.			1			K-7814256 P1		0	0	0	3	H-302
H-303	Thumb Screw	Knob Lock Thumb Screw.			1			K-7814151 P1		0	0	0	6	H-303
H-304	Clips	Resistor Clip.			1			M-7403088 P3		0	0	0	2	H-304
H-305	Clip	Resistor Clip.			1			K-7810304 P1		0	0	0	6	H-305

* For replacement use.

Δ Type 3AG1042—2 amps. used on Unit Serials 1 to 250 incl.

PARTS AND SPARE PARTS LIST

NAVSHIPS 900,946

SECTION 8

TABLE 8-2 (Continued)

COMBINED PARTS AND SPARE PARTS LIST BY SYMBOL DESIGNATION

FOR NAVY MODELS SR AND SR-a RADAR EQUIPMENTS

See Notes	Symbol Desig.	Function	Description	Navy Type Number	Navy Spec. or Drawing Number	Mfr.	Mfr. Desig.	Special Tol. Rating or Modification	Contractor's Drawing and Part Number	Equip.		Tender		All Symbol Designations Involved	
										Box Number	Quantity	Box Number	Quantity		
	MONITOR SCOPE CAY-55AFD (Continued)														
†	H-306	Elastic Stop Nut	Tube Support Mounting Nut.			50	Cat. # 68M82		T-7611784 P19	0	0	8		H-306	
	H-307	Nut	Minalite Retaining.			1			K-7813749 P20	0	0	2		H-307	
	H-308	Lockwasher	Power Lite Mtg.			51	# 1230		T-7611784 P21	0	0	1		H-308	
	H-309	Nut	Potentiometer Bushing Nut.			1			M-7406684 P4	0	0	2		H-309	
	H-310	Bushing	Potentiometer Shaft Panel Bushing.			1			K-7813750 P1	0	0	2		H-310	
	H-311	Bushing	Chassis Alignment Pin Bushing.			1			K-7814057 P1	0	0	2		H-311	
	I-301A	H.V. Fuse Indicator Bulb	1/25 Watt, Neon Bulb, Bayonet Base.	VG-13		1	NE-15		T-7610944 P41	4	4	11	8	I-301A, I-302A	
	I-301B	Holder for I-301A	Bayonet Base Socket.			5	PLN-844-NE-15-H		T-7610944 P49	4	1	11	1	2	I-301B, I-302B
†	I-301C	Lens for I-301B	Clear.			1	82270		T-7610944 P51	4	1	11	1	2	I-301C, I-302C
	I-302A	L.V. Fuse Indicator Bulb	Same as I-301A.	VG-13											
	I-302B	Holder for I-302A	Same as I-301B.												
†	I-302C	Lens for I-302B	Same as I-301C.												
	I-303A	Pilot Lamp	6-8 Volts, Bayonet Base.	TS-53		74	"W" Mazda 51		T-7610944 P43	4	2	11	4	6	I-303A
	I-303B	Holder for I-303A	Bayonet Socket.			5	DV77-SA Red Lens	All exposed metal dull black nickel finish	T-7610944 P44	4	1	11	1	1	I-303B

ORIGINAL

J-305	V-301A Grid Test Jack	Tip Jack.	-49961		37	521	Exposed metal to be silver or nickel plated Insulating washer to be moisture proof	T-7610944 P55	4	4	11	7	14	J-305, J-306, J-307, J-308, J-309, J-310, J-312
J-306	V-301B Grid Test Jack	Same as J-305.	-49961											
J-307	V-302A Grid Test Jack	Same as J-305.	-49961											
J-308	V-302B Grid Test Jack.	Same as J-305.	-49961											
J-309	V-303A Grid Test Jack	Same as J-305.	-49961											
J-310	V-303B Grid Test Jack	Same as J-305.	-49961											
J-311	Not Used													
J-312	L.V. Test Jack	Same as J-305.	-49961											
J-313A	Jack	Chassis Connector.			1			K-7814093 P1	4	2	11	4	8	J-313A, J-314A, J-315A, J-316A
J-314A	Jack	Same as J-313A.												
J-315A	Jack	Same as J-313A.												
J-316A	Jack	Same as J-313A.												
J-317A	Jack	Receiver Coax Jack.	-491457		1			M-7411826 G1	4	1	11	1	2	J-317A
J-318	115 Volt Connector	A.C. Power Connector.	-49643		18	61-M10		T-7610945 P127	4	1	11	1	2	J-318
J-319	Jack	Coax. Connector, 50 Ohms.	UG-22/U		38			T-7610945 P128	4	1	11	2	4	J-319, J-320
J-320	Jack	Same as J-319.	UG-22/U		22									

† To be used on Units Serials 1 to 25 incl.

PARTS AND SPARE PARTS LIST

NAVSHIPS 900,946

SECTION 8

TABLE 8-2 (Continued)

COMBINED PARTS AND SPARE PARTS LIST BY SYMBOL DESIGNATION

FOR NAVY MODELS SR AND SR-a RADAR EQUIPMENTS

See Notes	Symbol Desig.	Function	Description	Navy Type Number	Navy Spec. or Drawing Number	Mfr.	Mfr. Desig.	Special Tol. Rating or Modification	Contractor's Drawing and Part Number	Equip.		Tender		All Symbol Designations Involved	
										Box Number	Quantity	Box Number	Quantity		
MONITOR SCOPE CAY-55AFD (Continued)															
	J-321	Receptacle	115 Volt Socket.	-491289		18	61-F4		T-7610944 P47	4	1	11	1	2	J-321
	J-322	Plug	115 Volt Plug.	-491452		18	61-M4		T-7610944 P48	4	1	11	1	2	J-322
	L-301	Sweep Choke	200 Henries, 260 V.A.C., 60 Cycle, .01 Amp., 18,000 Turns #38 En. Wire, 5260 Ohms Resistance	-301161		1			L-406819	4	1	11	2	3	L-301
	L-302	L.V. Filter Choke	10 Henries, 500 V.D.C., -110 Amp., 2550 Turns #29 En. Wire, 92 Ohms Resistance.	-301162		1			L-423118	4	1	11	2	3	L-302
	L-303	Line Filter	.02 Microhenry, 115 V., 60 Cycle, 2 Amps., 30 Turns #18 Wire, 30 Turns S.C.C.E., .065 Ohm Resistance.	-53442		1			L-406820		0	11	1	1	L-303
	L-304	Coil—Inductance Compensating	1.5 Microhenries, 2 Sections, 230 Turns/Sec. #34 Silk En.			1			M-7414504 G1	4	1	11	1	1	L-304
	O-301	Grommet—Rubber	Tube Support, Shockmount.			52	#795		T-7611784 P29	4	4	11	16	32	O-301
	O-302	Grommet—Rubber	Lead Through Grommet.			52	#452		T-7611784 P30		0	11	2	2	O-302
	O-303	Grommet—Rubber	Lead Through Grommet.			1	S#810-354		T-7611784 P31		0	11	1	1	O-303
	O-304	Not Used													
	O-305	Not Used													
	O-306	Clamp	Condenser "U" Clamp.			1			K-7813741 P1		0	11	1	1	O-306
	O-307	Clamp	Condenser "U" Clamp.			1			M-7411379 G1		0	11	2	2	O-307
	O-308	Clamp	2 1/2" Can Clamp.			1			P-7710222 P3		0	11	1	1	O-308
	O-309	Clamp	3" Can Clamp.			1			M-7408223 P1		0	11	1	1	O-309
	O-310	Clamp	2" Can Clamp.			1			P-7710222 P6		0	11	1	1	O-310

ORIGINAL

O-311	Tube Clamp for V-305	Snap Clamp.			1		T-7611463 G6	4	1	11	1	1	O-311
O-312	Tube Clamp for V-303	Snap Clamp.			1		T-7611463 G31	4	1	11	1	1	O-312, O-313
O-313	Tube Clamp for V-301, V-302	Same as O-312.											
O-314	Tube Clamp for V-307	Snap Clamp.			1		T-7611463 G18	4	1	11	1	1	O-314
O-315	Tube Clamp for V-306	Snap Clamp.			1		T-7611463 G20	4	1	11	1	1	O-315
O-316	Potentiometer Assembly	Includes R-327, R-328, R-329, R-330.	-634753		1		M-74119116 G1		0	11	1	1	O-316
O-317	Potentiometer Assembly	Includes R-331, R-332, R-333.	-634754		1		M-7411928 G1		0	11	1	1	O-317
R-301	Resistor—Grid	100,000 Ohms $\pm 5\%$, 1 Watt, Composition.	-63291-104	RE13A-340C	11	GB-1045	T-7610945 P73	4	5	11	14	23	R-301, R-302, R-312, R-318, R-320, R-339, R-345, R-347, R-346
R-302	Resistor—Plate Load	Same as R-301.	-63291-104										
R-303	Resistor—Cathode Bias	1800 Ohms $\pm 5\%$, 1 Watt, Composition.	-63291-182	RE13A-340C	11	GB-1825	T-7610945 P75	4	1	11	2	3	R-303
R-304	Resistor—Isolation	470,000 Ohms $\pm 5\%$, 1 Watt, Composition.	-63291-474	RE13A-340C	11	GB-4755	T-7610945 P76	4	1	11	2	3	R-304
R-305	Not Used												
R-306	Resistor—Plate Load	10,000 Ohms $\pm 5\%$, 60 Watts, Style D, Grade 1, Class 1, Wire Wound.	-63090F	RE13A-372J	16		M-7409803 P41	4	1	11	3	5	R-306, R-311
R-307	Resistor—Cathode Bias	1500 Ohms $\pm 5\%$, 1 Watt, Composition.	-63291-152	RE13A-340C	11	GB-1525	T-7610945 P79	4	1	11	2	3	R-307
R-308	Resistor—Grid	85,000 Ohms $\pm 5\%$, 1 Watt, Composition.	-63291-853	RE13A-340C	11	GB-8535	T-7610945 P80	4	1	11	2	3	R-308
R-309	Resistor—Grid	27,000 Ohms $\pm 5\%$, 1 Watt, Composition.	-63291-273	RE13A-340C	11	GB-2735	T-7610945 P81	4	1	11	2	3	R-309
R-310	Resistor—Grid	2.2 Megohms $\pm 5\%$, 1 Watt, Composition.	-63291-225	RE13A-340C	11	GB-2255	T-7610945 P82	4	1	11	2	3	R-310
R-311	Resistor—Plate Load	Same as R-306.	-63090F										

PARTS AND SPARE PARTS LIST

NAVSHIPS 900,946

SECTION 8

8-49

TABLE 8-2 (Continued)

COMBINED PARTS AND SPARE PARTS LIST BY SYMBOL DESIGNATION

FOR NAVY MODELS SR AND SR-a RADAR EQUIPMENTS

See Notes	Symbol Desig.	Function	Description	Navy Type Number	Navy Spec. or Drawing Number	Mfr.	Mfr. Desig.	Special Tol. Rating or Modification	Contractor's Drawing and Part Number	Equip.		Tender		All Symbol Designations Involved
										Box Number	Quantity	Box Number	Quantity	
	MONITOR SCOPE CAY-55AFD (Continued)													
	R-312	Resistor—Grid	Same as R-301.	-63291-104										
	R-313	Resistor—Sweep Amp. Control	25,000 Ohms, Pot.	-634730-10		11	J		M-7411468 P10	4	1	11	3	5 R-313
	R-314	Resistor—Plate Voltage	160,000 Ohms \pm 5%, 1 Watt, Composition.	-63291-164	RE13A-340C	11	GB-1645		T-7610945 P86	4	1	11	3	5 R-314, R-315
	R-315	Resistor—Plate Voltage	Same as R-314.	-63291-164										
	R-316	Resistor—Grid	1 Meg. \pm 5%, 1 Watt, Comp.	-63291-105	RE13A-340C	11	GB-1055		T-7610945 P88	4	2	11	6	10 R-316, R-319, R-332, R-333
	R-317	Resistor—Grid	270,000 Ohms \pm 5%, 1 Watt, Composition.	-63291-274		11	GB-2745		T-7610945 P89	4	3	11	8	13 R-317, R-321, R-326, R-327, R-348
	R-318	Resistor—Plate Load	Same as R-301.	-63291-104										
	R-319	Resistor—Grid	Same as R-316.	-63291-105										
	R-320	Resistor—Plate Load	Same as R-301.	-63291-104										
	R-321	Resistor—Horiz. Plate Load	Same as R-317.	-63291-274										
	R-322	Resistor—Horiz. Centering Control	100,000 Ohms, Dual Carbon Pot.	-634731-10		11	JJ		M-7411468 P7	4	1	11	6	10 R-322, R-324
	R-323	Resistor—Grid Series	220 Ohms \pm 5%, 1/2 Watt, Composition.	-63355-221	RE13A-340C	11	EB-2215		T-7610945 P95	4	1	11	2	3 R-323
	R-324	Resistor—Vert. Centering Control	Same as R-322.	-634731-10										
	R-325	Resistor—Voltage Dropping	2000 Ohms, 15 Watts, Wire Wound.	-63411F	RE13A-372J	16			M-7409805 P34	4	1	11	3	5 R-325

8-50

ORIGINAL

SECTION 8

NAVSHPs 900,946

PARTS AND SPARE PARTS LIST

ORIGINAL

R-326	Resistor—Vert. Plate Load	Same as R-317.	-63291-274																	
R-327	Resistor—C.R. Tube Grid	Same as R-317.	-63291-274																	
R-328	Resistor—Intensity Control	75,000 Ohms, Potentiometers.	-634732-10		11	J		M-7411468 P11	4	1	11	3	5	R-328						
R-329	Resistor—Filter H.V.	82,000 Ohms $\pm 5\%$, 1 Watt, Composition.	-63291-823	RE13A-340C	11	GB-8235		T-7610945 P101	4	1	11	2	3	R-329						
R-330	Resistor—C.R. H.V. Divider	560,000 Ohms $\pm 5\%$, 1 Watt, Composition.	-63291-564	RE13A-340C	11	GB-5645		T-7610945 P102	4	1	11	3	5	R-330, R-334						
R-331	Resistor—C.R. Focusing Control	510,000 Ohms, Potentiometer.	-634733-10		11	J		M-7411468 P6	4	1	11	3	5	R-331						
R-332	Resistor—H.V. Bleeder	Same as R-316.	-63291-105																	
R-333	Resistor—H.V. Bleeder	Same as R-316.	-63291-105																	
R-334	Resistor—H.V. Filter	Same as R-330.	-63291-564																	
R-335	Resistor—Focus Balancing	100,000 Ohms, Potentiometer.	-632721-10		11	J		M-7411468 P3	4	1	11	3	5	R-335						
R-336	Not Used																			
R-337	Not Used																			
R-338	Resistor—Plate Load	8000 Ohms $\pm 5\%$, 60 Watts, Style D, Grade 1, Class 1, Wire Wound.	-63088F	RE13A-372J	16			M-7409803 P40	4	1	11	2	3	R-338						
R-339	Resistor—Screen Dropping	Same as R-301.	-63291-104																	
R-340	Resistor—Neon Bulb Series	120,000 Ohms $\pm 5\%$, 1 Watt, Composition.	-63291-124	RE13A-340C	11	GB-1245		T-7610945 P109	4	1	11	3	5	R-340, R-343						
R-341	Resistor—Cathode Bias	68 Ohms.	-63291-680	RE13A-340C	11	GB-6805		T-7610945 P110	4	1	11	2	3	R-341						
R-342	Resistor—Vertical Gain Control	100,000 Ohms, Potentiometer.	-632055-10		11	J		M-7411468 P8	4	1	11	3	5	R-342						
R-343	Resistor—Neon Bulb Series	Same as R-340.	-63291-124																	
R-344	Resistor—H.V. Current Limiting	22,000 Ohms $\pm 5\%$, 1 Watt, Composition.	-63291-223	RE13A-340C	11	GB-2235		T-7610945 P113	4	1	11	2	3	R-344						

PARTS AND SPARE PARTS LIST

NAVSHIPS 900 946

SECTION 8

TABLE 8-2 (Continued)

COMBINED PARTS AND SPARE PARTS LIST BY SYMBOL DESIGNATION

FOR NAVY MODELS SR AND SR-a RADAR EQUIPMENTS

See Notes	Symbol Desig.	Function	Description	Navy Type Number	Navy Spec. or Drawing Number	Mfr.	Mfr. Desig.	Special Tol. Rating or Modification	Contractor's Drawing and Part Number	Equip.		Tender		All Symbol Designations Involved	
										Box Number	Quantity	Box Number	Quantity		Stock
MONITOR SCOPE CAY-55AFD (Continued)															
	R-345	Resistor—Screen Dropping	Same as R-301.	-63291-104											
	R-346	Resistor—Screen Dropping	Same as R-301.	-63291-104											
	R-347	Resistor—Screen Dropping	Same as R-301.	-63291-104											
	R-348	Resistor—Vertical Plate Load	Same as R-317.	-63291-274											
	S-301	Range Switch	3 P. 3 T., Rotary Switch, Two Sections.			34	H Ceramic Wafer		M-7411929 P1	4	1	11	1	1 S-301	
	S-302	110 V.A.C. Power Switch	D.P.S.T., Toggle Switch.	-24001	RE24A-A118	34			T-7610945 P122	4	1	11	1	1 S-302	
	T-301	H.V. C.R.T. Plate Transformer	14 Va., 50-65 Cycle. Wdg. Volts Amps. Turns Wire Res. Pri. 115 0.12 960 #30 57 S1 6.3 0.6 62 #24 0.6 S2 2.5 1.75 25 #20 0.11 S3 1700 0.004 16000 #42 12300	-301157		1			L-382664	4	1	11	2	3 T-301	
	T-302	L.V. Plate Transformer	120 Va., 60 Cycle, Pri. C.T. Wdg. Volts Amps. Turns Wire Res. Pri. 115 1.0 318.5 #20 1.86 S1 620 .118 1800 #29 1.06 S2 6.3 5.5 18.5 #12 .025 S3 5 3 15 #16 .054	-301156		1			L-406806	4	1	11	2	3 T-302	
	V-301	Pulse Amplifier and Gate	Twin Triode Amplifier, Octal Base, Heater, 6.3 Volts, 0.6 Amp. A.C.	-6SN7GT		6	6SN-7GT	Jan. 1st latest Supp.	T-7610945 P141	12	6	26	9	0 V-301, V-302, V-303	
	V-302	Gate and Sweep Tube	Same as V-301.	-6SN7GT											

8-52

ORIGINAL

8 SECTION

NAVSHIPS 900,946

PARTS AND SPARE PARTS LIST

ORIGINAL

V-303	Internal Synchronizing Generator	Same as V-301.	-6SN7GT																	
V-304	Cathode Ray Tube	High Vacuum C.R. Tube, Electrostatic Focusing and Deflection, 3" Bulb Dia. 10" Length, Medium Shell Diheptal, 12 Pin Base, Heater, 6.3 Volts, 0.6 Amp.	-3BP1		6	3BP1		T-7610945 P144	12	2	26	3	0	V-304						
V-305	L.V. Rectifier	Full Wave, High Vacuum Rectifier, Octal Base, Heater, 5.0 Volts, 3.0 Amps. A.C.	-5U4G		6	5U4G		T-7610946 P145	12	2	26	3	0	V-305						
V-306	H.V. Half Wave Rectifier	Medium, 4 Pin, Phenolic Base, Small Metal Cap, 20 Kv. Plate Volts, Thoriated Tungsten Filament, 2.5 Volts, 3.0 Amps.	-RKR-72		32	RKR72		T-7610946 P146	12	2	26	3	0	V-306						
V-307	Video Amplifier	Video Power Amplifier Pentode, Octal Base, Heater, 6.3 Volts, 0.65 Amp. A.C.	-6AG7		6	6AG7		T-7610946 P147	12	2	26	3	0	V-307						
X-301	Socket for V-301	Octal.	-49374	RE49A-A312A	36	8661 MIP-8TM		T-7610946 P151	4	3	11	3	5	X-301, X-302, X-303, X-305, X-307						
X-302	Socket for V-302	Same as X-301.	-49374																	
X-303	Socket for V-303	Same as X-301.	-49374																	
X-304	Socket for V-304	14 Prong Diheptal.	-491441	RE49A-A312A	36	9451		T-7610946 P154	4	1	11	1	1	X-304						
X-305	Socket for V-305	Same as X-301.	-49374																	
X-306	Socket for V-306	4 Prong.	-49368	RE49A-A312A	18	RSS4		T-7610946 P156	4	1	11	1	1	X-306						
X-307	Socket for V-307	Same as X-301.	-49374																	
GENERAL CONTROL UNIT CAY-23AEW																				
B-401	Blower Motor	Diehl Motor, 2 Phase, 75 V., 0.11 Amps., 4 Watts.	-211052	RE9111A	28	4-A-369B		T-7610928 P1	5	1	16	2	3	B-401						
C-401	Capacitor—Blower Motor	5 MFD. ±20%, 220 V.A.C., Phase Shifting Condenser, Oil Filled, Paper.	-484000-20	RE13A-488	12	KLA-2050	(W) Spring-field Dwg. 95-C-318	T-7610928 P4	5	1	16	2	3	C-401						

PARTS AND SPARE PARTS LIST

NAVSHIPS 900,946

SECTION 8

TABLE 8-2 (Continued)

COMBINED PARTS AND SPARE PARTS LIST BY SYMBOL DESIGNATION

FOR NAVY MODELS SR AND SR-a RADAR EQUIPMENTS

See Notes	Symbol Desig.	Function	Description	Navy Type Number	Navy Spec. or Drawing Number	Mfr.	Mfr. Desig.	Special Tol. Rating or Modification	Contractor's Drawing and Part Number	Equip.		Tender		All Symbol Designations Involved	
										Box Number	Quantity	Box Number	Quantity		Stock
GENERAL CONTROL UNIT CAY-23AEW (Continued)															
	C-402	Capacitor—Meter By-Pass	.0068 MFD. ±10%, 600 V.D.C. Working, Mica.	CM-45A-682M	RE13A-389	47 66	1446-ELS H-126-0ELS		T-7610928 P5	5	1	16	1	1	C-402
	E-401	Terminal Board	Interconnection Terminus.			21	# 10-142		T-7611782 P1	0	16	1	2		E-401, E-402
	E-401A	Terminal Strip	Terminal Board Marking.			1			K-7814781 P1	0	16	1	1		E-401A
	E-402	Terminal Board	Same as E-401.												
	E-402A	Terminal Strip	Terminal Board Marking.			1			K-7814782 P1	0	16	1	1		E-402A
	H-401	Handle	Unit Pull Handle.			1			M-7411034 P1	0	0	0	1		H-401
	H-402	Not Used													
	H-403	Screw—Captivated	Panel Thumb Screw.			1			M-7411291 P1	0	0	0	4		H-403
	H-404	Screw—Captivated	Clamp Thumb Screw.			1			M-7407877 P6	0	0	0	2		H-404
	I-401A	Pilot Light	Westinghouse Mazda 6-8 V., Bayonet Base.	TB-11		74	Type 44		T-7610928 P9	5	4	16	8	12	I-401A, I-402A
	I-401B	Pilot Light Holder	Vari-Dim Signal Light Assembly with Red Lens.			5	TypeDV 77SA Red Lens	All metal parts, dull black nickel finish	T-7610928 P14	5	1	16	1	2	I-401B, I-402E
	I-402A	Pilot Light	Same as I-401A.	TB-11											
	I-402B	Pilot Light Holder	Same as I-401B.												
	M-401	Kilovolt Meter	2½ Inch Round Flush Mounting, 0-20 Kv. D.C.	MR25BO-20DCKV		1	MR25-BO20-DCKV Type OX-33		T-7610928 P28	0	0	0	1		M-401

8-54

ORIGINAL

SECTION 8

NAVSHIPS 900,946

PARTS AND SPARE PARTS LIST

ORIGINAL

O-401	Cable Clamp	Interconnection Cable Clamp.		1			M-7411437 G1	0	0	1	O-401
O-402	Cable Clamp	Interconnection Cable Clamp.		1			M-7411447 G1	0	0	1	O-402
O-403	Not Used										
O-404	Tube Clamp	Spare Tube Clamp.		1			T-7611463 G6	5	1	16	1 2 O-404
O-405	Tube Clamp	Spare Tube Clamp.		1			T-7611463 G16	5	2	16	2 3 O-405
O-406	Tube Clamp	Spare Tube Clamp.		1			T-7611463 G17	5	1	16	1 1 O-406
O-407	Tube Clamp	Spare Tube Clamp.		1			T-7611463 G18	5	1	16	1 2 O-407
O-408	Not Used										
O-409	Not Used										
O-410	Gasket	Meter Gasket.		1			K-7812079 P1	5	1	16	2 4 O-410
O-411	Grommet	Rubber Grommet.		1	S# 282-498		T-7611782 P24	5	1	16	2 4 O-411
S-401	Control Switch	Single Button, 2 Circuit Unit.	-241053	1	Type SD2 S# 124-6468	Exposed metal to be plated to resist corrosion	T-7610928 P19	5	1	16	2 4 S-401, S-402, S-403, S-404
S-402	Control Switch	Same as S-401.	-241053								
S-403	Control Switch	Same as S-401.	-241053								
S-404	Control Switch	Same as S-401.	-241053								
S-405	Indicator Unit Switch	115 V., 5 A., D.P.S.T.	-24657	24		All metal parts, dull black nickel finish	T-7610928 P33	5	1	16	1 1 S-405
S-406	Keying Switch	Mossman Cam Lever Switch.	-241000	15			P-7707082 P8	5	1	16	1 1 S-406
X-401	Tube Socket	8 Prong, Octal.	-49374	RE49A-A312A	18 MIP-8TM 9661	Plated for Navy Use	T-7610928 P41	5	6	16	6 12 X-401 to X-409 Incl., X-412, X-413, X-414
X-402	Tube Socket	Same as X-401.	-49374								
X-403	Tube Socket	Same as X-401.	-49374								

8-55

PARTS AND SPARE PARTS LIST

NAVSHIPS 900,946

SECTION 8

8-56

TABLE 8-2 (Continued)

COMBINED PARTS AND SPARE PARTS LIST BY SYMBOL DESIGNATION

FOR NAVY MODELS SR AND SR-a RADAR EQUIPMENTS

8 SECTION

See Notes	Symbol Desig.	Function	Description	Navy Type Number	Navy Spec. or Drawing Number	Mfr.	Mfr. Desig.	Special Tol. Rating or Modification	Contractor's Drawing and Part Number	Equip.		Tender		All Symbol Designations Involved
										Box Number	Quantity	Box Number	Quantity	
GENERAL CONTROL UNIT CAY-23AEW (Continued)														
	X-404	Tube Socket	Same as X-401.	-49374										
	X-405	Tube Socket	Same as X-401.	-49374										
	X-406	Tube Socket	Same as X-401.	-49374										
	X-407	Tube Socket	Same as X-401.	-49374										
	X-408	Tube Socket	Same as X-401.	-49374										
	X-409	Tube Socket	Same as X-401.	-49374										
	X-410	Tube Socket	5 Prong Socket	-49375	RE49AA-312A	18	MIP-5TM		T-7610928 P50	5	1	16	1	X-410
	X-411	Tube Socket	4 Prong Socket.	-49368	RE49AA-312A	18	RSS-4		T-7610928 P51	5	1	16	1	X-411
	X-412	Tube Socket	Same as X-401.	-49374										
	X-413	Tube Socket	Same as X-401.	-49374										
	X-414	Tube Socket	Same as X-401.	-49374										
PPI INDICATOR CAY-55ADV OR CAY-55ADV-1														
2	A-5100	Hinge	Cursor Bezel Hinge—Bronze Casting.			1			P-7714478 G1		0		1	A-5100
	B-501	Yoke Drive Motor	Diehl Two Phase, 75 Volts.	-211052	RE9111A	28	4-A-369E		T-7610894 P1	6	1	28	4	B-501, B-503
2	B-502	Control Generator	Mark IV, 5 Ct. Synchro Generator, 90 Volts, Model 2.		Mk. IV, 5 Ct.	7	115-5008		T-7610894 P2		1		2	B-502
	B-503	Blower Motor	Same as B-501.	-211052										

NAVSHIPS 900,946

PARTS AND SPARE PARTS LIST

ORIGINAL

ORIGINAL

C-501	Cathode By-Pass Capacitor	.01 MFD. +15% -5%, 300 V.D.C. Working, Mica.	-48848-B	RE13A-389K	47 39	1467-LS Δ	T-7610894 P11	6	2	28	6	10	C-501, C-503, C-510, C-529, C-530, C-532, C-533, C-542, C-554, C-555
C-502	Coupling Capacitor	51 MMF. \pm 10%, Ceramic.	CC26UF-510K CC20UF-510K		29 40	N750-L51 Type N-700-AB	T-7610894 P12	6	1	28	2	3	C-502, C-507, C-518
C-503	Gate Length Det. Capacitor	Same as C-501.	-48848-B										
C-504	Gate Length Det. Capacitor	.005 MFD. +15% -2%, 300 V.D.C., Working, Mica.	-481037-B	RE13A-389K	47 39	1467-LS Δ	T-7610894 P14	6	1	28	3	4	C-504, C-511, C-522, C-549
C-505	Gate Length Det. Capacitor	.002 MFD. -5% +20%, 500 V.D.C. Working, Mica.	-48856-B	RE13A-389K	47 39	1467-LS Δ	T-7610894 P15	6	1	28	1	1	C-505
C-506	Gate Length Det. Capacitor	510 MMF. \pm 10%, Mica.	-483020-10 CM20C-511K*		47 40	1468-LST Δ Type K-1200 AB	T-7610894 P16	6	1	28	2	2	C-506, C-521
C-507	Coupling Capacitor	Same as C-502.	CC26UF-510K CC20UF-510K										
C-508	Coupling Capacitor	.1 MFD. +3% -10%, 600 V.D.C. Working, Terminals at Bottom, Oil Filled, Paper.	-482535	RE13A-488C	47 39	618B Δ	T-7610894 P18	6	4	28	11	18	C-508, C-514, C-515, C-516, C-534, C-548, C-550
C-509	Sweep Rate Capacitor	.05 MFD. +3% -10%, 600 V.D.C. Working, Terminals at Bottom, Oil Filled, Paper.	-482618	RE13A-488C	47	618B Δ	T-7610894 P19	6	1	28	2	3	C-509
C-510	Sweep Rate Capacitor	Same as C-501.	-48848-B										
C-511	Sweep Rate Capacitor	Same as C-504.	-481037-B										
C-512	Sweep Rate Capacitor	.001 MFD., 500 V.D.C. Working, Mica.	-48983-B10	RE13A-389K	47 39	1467-LS Δ	T-7610894 P22	6	1	28	1	1	C-512
C-513	Sweep Linearity Capacitor	.0015 MFD., 500 V.D.C. Working, Mica.	-481088-B10	RE13A-389K	47 39	1467-LS Δ	T-7610894 P23	6	1	28	1	1	C-513

Δ When ordering include capacity and voltage.
2 Used on Units Serials 201 and up.

* For replacement use.

PARTS AND SPARE PARTS LIST

NAVSHIPS 900,946

SECTION 8

8-57

8-58

TABLE 8-2 (Continued)

COMBINED PARTS AND SPARE PARTS LIST BY SYMBOL DESIGNATION

FOR NAVY MODELS SR AND SR-a RADAR EQUIPMENTS

8 SECTION

See Notes	Symbol Desig.	Function	Description	Navy Type Number	Navy Spec. or Drawing Number	Mfr.	Mfr. Desig.	Special Tol. Rating or Modification	Contractor's Drawing and Part Number	Equip.		Tender		All Symbol Designations Involved
										Box Number	Quantity	Box Number	Quantity	
PPI INDICATOR CAY-55ADV OR CAY-55ADV-1 (Continued)														
	C-514	Coupling Capacitor	Same as C-508.	-482535										
	C-515	Coupling Capacitor	Same as C-508.	-482535										
	C-516	Coupling Capacitor	Same as C-508.	-482535										
	C-517	Not Used												
	C-518	Gate Differentiation Capacitor	Same as C-502.	CC26UF-510K CC20UF-510K										
	C-519	Not Used												
	C-520	Not Used												
	C-521	Cathode Capacitor	Same as C-506.	-483020-10 CM-20C-511K*										
	C-522	Coupling Capacitor	Same as C-504.	-481037-B										
	C-523	Coupling Capacitor	100 MMF. ±10%, Ceramic.	-483019-20 -481959-10		40 29	Type K-1200 AB N750- L100		T-7610894 P33	6	1	28	1	1 C-523
	C-524	Not Used												
	C-525	Not Used												
	C-526	Cathode By-Pass Capacitor	.5 MFD. +3%, -10%, 600 V.D.C. Working, Terminals at Bottom, Oil Filled, Paper.	-481927	RE13A-488C	49 39	616Δ		T-7610894 P36	6	1	28	2	3 C-526

NAVSHIPS 900,946

PARTS AND SPARE PARTS LIST

ORIGINAL

ORIGINAL

C-527	Cathode By-Pass Working	1 MFD. +3% -10%, 500 V.D.C. Working, Oil Filled, Paper.	-48553	RE13A-488D	7	9CE6-A4	T-7610894 P37	6	2	28	5	8	C-527, C-541, C-547
C-528	Cathode By-Pass Capacitor	25 MFD., Electrolytic, 50 V.D.C. Working.	-48864	RE13A-549A	16	1967-439	T-7610894 P38	6	2	28	3	3	C-528
C-529	Coupling Capacitor	Same as C-501.	-48848-B										
C-530	Coupling Capacitor	Same as C-501.	-48848-B										
C-531	High Frequency Compensating Capacitor	40 MMF. ±10%, Ceramic.	-483021-10		40	N-700-AB	T-7610894 P41	6	1	28	1	1	C-531
C-532	60 Cycle Filter Capacitor	Same as C-501.	-48848-B										
C-533	60 Cycle Filter Capacitor	Same as C-501.	-48848-B										
C-534	High Frequency Filter Capacitor	Same as C-508.	-482535										
C-535	Not Used												
C-536	L.V. Filter Capacitor	10 MFD. ±10%, 600 V.D.C. Working, Oil Filled, Paper, No Mtg. Feet.	-482533-10	RE13A-488C	1	S# 131-8745	T-7610894 P46	6	2	28	5	8	C-536, C-539, C-540
C-537	Bias Filter Capacitor	6 MFD. ±10%, 600 V.D.C. Working, Oil Filled, Paper, No Mtg. Feet.	-48684-10	RE13A-488C	1	S# 131-8746	T-7610894 P47	6	1	28	3	5	C-537, C-538
C-538	Bias Filter Capacitor	Same as C-537.	-48684-10										
C-539	L.V. Filter Capacitor	Same as C-536.	-482533-10										
C-540	L.V. Filter Capacitor	Same as C-536.	-482533-10										
C-541	Divider By-Pass Capacitor	Same as C-527.	-48553										
C-542	Voltage Regulator By-Pass Capacitor	Same as C-501.	-48848-B										
C-543	H.V. Filter Capacitor	.1 MFD. ±10%, 5000 V.D.C. Working, Oil Filled, Paper, No Mtg. Feet.	-482534-10	RE13A-488C	1	S# 131-0709	T-7610894 P53	6	1	28	3	5	C-543, C-544,

△ When ordering, include capacity and voltage.

* For replacement use.

PARTS AND SPARE PARTS LIST

NAVSHIPS 900,946

SECTION 8

TABLE 8-2 (Continued)

COMBINED PARTS AND SPARE PARTS LIST BY SYMBOL DESIGNATION

FOR NAVY MODELS SR AND SR-a RADAR EQUIPMENTS

See Notes	Symbol Desig.	Function	Description	Navy Type Number	Navy Spec. or Drawing Number	Mfr.	Mfr. Desig.	Special Tol. Rating or Modification	Contractor's Drawing and Part Number	Equip.		Tender		All Symbol Designations Involved	
										Box Number	Quantity	Box Number	Quantity		Stock
	PPI INDICATOR CAY-55ADV OR CAY-55ADV-1 (Continued)														
	C-544	H.V. Filter Capacitor	Same as C-543.	-482534-10											
	C-545	Not Used													
	C-546	Not Used													
	C-547	Decoupling Capacitor	Same as C-527.	-48553											
	C-548	Coupling Capacitor	Same as C-508.	-482535											
	C-549	H.F. By-Pass Capacitor	Same as C-504.	-481037-B											
	C-550	Coupling Capacitor	Same as C-508.	-482535											
	C-551	Drive Motor Phase Shift Capacitor	2 MFD. $\pm 10\%$, 600 V.D.C. Working, Oil Filled, Paper.	-48403-B10	RE13A-488C	12	DYR-6200		T-7610894 P61	6	1 28	2	3	C-551	
	C-552	Synchro Capacitor	.67 x .67 x .67 MFD. $+3\% -10\%$, 90 V.A.C., 3 Connected in Delta, Oil Filled, Paper.	-482620	RE13A-488C	47	AX-1069 MSB Δ		T-7610894 P62	6	1 28	2	3	C-552	
	C-553	Blower Motor Phase Shift Capacitor	5 MFD., 600 V.D.C. Working, Oil Filled, Paper.	-482540-10 -483022-10		47 39	609 MSB Δ XLC-6-5		T-7610894 P63	6	1 28	2	3	C-553	
	C-554	Pulse Width Capacitor	Same as C-501.	-48848-B											
	C-555	Sweep Rate Capacitor	Same as C-501.	-48848-B											
	C-556	Not Used													

8-60

ORIGINAL

SECTION 8

NAVSHIPS 900,946

PARTS AND SPARE PARTS LIST

ORIGINAL

C-557	Sync. Pulse Coupling Capacitor	750 MMF. ±20%, Ceramic.	-483018-20	40 29	Type K-12- 00BB	T-7610894 P67	6	1	28	1	1	C-557
E-501	Knob	Panel Control Knob—Moldarta.		1		P-7709350 G2	6	0	28	4	4	E-501
E-502	Knob	Panel Control Knob—St. Steel.		1		T-7611646 P2	6	0	28	1	1	E-502
E-503	Knob	Panel Control Knob.		1		P-7708220 P3	6	0	28	1	1	E-503
E-504	Not Used											
E-505	Terminal Board	Case Interconnection Terminals.		21	# 10- 142	T-7611646 P5	0	28	2	2		E-505, E-507
E-505A	Terminal Strip	Terminal Designation for E-505.		1		K-7813837 P1	0	28	1	1		E-505A
E-506	Terminal Board	Synchro Terminals.		21	# 6-142	T-7611646 P6	0	28	1	1		E-506
E-506A	Marking Strip	Terminal Designation for E-506.		1		M-7412389 P1	0	28	1	1		E-506A
E-507	Terminal Board	Same as E-505.										
E-507A	Terminal Strip	Terminal Designation for E-507.		1		K-7814037 P1	0	28	1	1		E-507A
E-508 to E-511	Not Used											
E-512	Insulating Washer	Micarta Washer.		1		K-7812032 P1	6	8	28	16	32	E-512
E-513	Insulator	Ceramic Standoff.	-61415 or NS3W0104	44	# 395- ½ Lg.	T-7611646 P13	6	1	28	2	4	E-513
E-514	Insulator	Ceramic Standoff.	NS3W0108	44	# 395- L1	T-7611646 P14	6	1	28	1	2	E-514
E-515	Insulator	Ceramic Standoff.	NS3W0208	44	# 323- L1	T-7611646 P15	6	1	28	1	2	E-515
E-516	Insulator	Ceramic Standoff.	-61487	44	# 981-E	T-7611646 P16	6	1	28	1	2	E-516
E-5001	Brush Holder Assembly	Scope, Rotating Coil Brush Assembly.		1		M-7411176 G1	6	2	28	8	12	E-5001
E-5002	Brush	Part of E-5001, Brush and Spring.		1		M-7411396 P1	6	2	28	20	40	E-5002
2 E-5100	Knob	Cursor Plate Driving Knob.		1		P-7708069 G1	0	28	1	1		E-5100
F-500A	L.V. Primary Fuse	3 Amps., 250 Volts, 1¼" x ¼" Dia.	-28032-3	31	3AG 1043	T-7610895 P80	6	20	28	40	100	F-500A, F-501A

Δ When ordering, include capacity and voltage.

2 Used on Units Serials 201 and up.

PARTS AND SPARE PARTS LIST

NAVSHIPS 900,946

SECTION 8

TABLE 8-2 (Continued)

COMBINED PARTS AND SPARE PARTS LIST BY SYMBOL DESIGNATION

FOR NAVY MODELS SR AND SR-a RADAR EQUIPMENTS

See Notes	Symbol Desig.	Function	Description	Navy Type Number	Navy Spec. or Drawing Number	Mfr.	Mfr. Desig.	Special Tol. Rating or Modification	Contractor's Drawing and Part Number	Equip.		Tender		All Symbol Designations Involved	
										Box Number	Quantity	Box Number	Quantity		Stock
PPI INDICATOR CAY-55ADV OR CAY-55ADV-1 (Continued)															
	F-500B	Holder for F-500A	Fuse Holder.			4	HCM		T-7610895 P100	6	1	28	1	3	F-500B, F-501B, F-502B
	F-501A	L.V. Primary Fuse	Same as F-500A.	-28032-3											
	F-501B	Holder for F-501A	Same as F-500B.												
	F-502A	H.V. Primary Fuse	2 Amps., 250 Volts, 1 1/4" x 1/4" Dia.	-28032-2		31	3AG 1042		T-7610895 P82	6	10	28	20	50	F-502A
	F-502B	Holder for F-502A	Same as F-500B.												
	H-501	Nut	Switch Mounting Nut.			1			K-7813838 P1	0	0	0	2	1	H-501
	H-502	Not Used													
	H-503	Washer	Lead Washer.			1			K-7804188 P3	0	0	0	4	1	H-503
	H-504	Not Used													
	H-505	Thumb Screw	Panel Retainer.			1			M-7411291 P2	0	0	0	8	1	H-505
	H-506	Thumb Screw	Cable Clamp Screw.			1			K-7814073 P1	0	0	0	1	1	H-506
	H-507	Thumb Screw				1			K-7813299 P1	0	0	0	4	1	H-507
	H-5001	Top Tube Clamp	Screw and Clamp Assembly.			1			M-7411238 G1	6	1	28	1	1	H-5001
	H-5002	Thumb Screw	Part of H-5001.			1			K-7813404 G1	0	0	0	1	1	H-5002
	H-5003	Thumb Screw	Focus Coil Lock.			1			M-7409823 P3	0	0	0	2	1	H-5003
1	H-5004	Shoulder Screw	Lock Pin for Filter.			1			K-7814046 P1	0	0	0	6	1	H-5004
	H-5005	Nut	Pinion Retaining.			1			K-7813641 P1	0	0	0	1	1	H-5005
2	H-5100	Hinge Pin	Pin for A-5100.			1			M-7416966 P1	0	0	1	1	1	H-5100
2	H-5101	Acorn Nut	Anchors H-5100, 1/4-20 Tap, 5/16 Deep.			1	S# 246-67		T-7614222 P12	0	0	0	2	1	H-5101

ORIGINAL

2	H-5102	Spacer	Aluminum $\frac{5}{16}$ O.D. x .183 I.D. x .75 Long.		1		K-7818647 P1	0	0	4	H-5102		
2	H-5103	Spacer	Aluminum $\frac{3}{8}$ O.D. x .185 I.D. x 1.031".		1		K-7820233 P1	0	0	4	H-5103		
2	H-5104	Bearing Plate	Support for Driving Gears.		1		M-7416891 P1	0	0	1	H-5104		
2	H-5105	Selsyn Shaft	Selsyn Driving Shaft.		1		M-7416926 G1	0	0	1	H-5105		
2	H-5106	Thumb Screw	Cursor Bezel Retaining Screw.		1		M-7416896 P1	0	0	2	H-5106		
2	H-5107	Thumb Screw	Viewing Hood Support Screw.		1		M-7409822 P4	0	0	6	H-5107		
	I-500A	L.V. Primary Fuse Indicator	1/25 Watt, Neon Bulb—Bayonet Base	VG-13	1	T2NE-15	T-7610895 P85	6	6	28	12	18	I-500A, I-501A, I-502A
	I-500B	Holder for I-500A	Bayonet Base Socket less Mounting Nut Supply with Black Rubber Washer.		5	PLN-844-NE15H	T-7610895 P97	6	1	28	2	3	I-500B, I-501B, I-502B
†	I-500C	Lens for I-500B	Clear.		1	822270	T-7610895 P103	6	1	28	2	3	I-500C, I-501C, I-502C
	I-501A	L.V. Primary Fuse Indicator	Same as I-500A.	VG-13									
	I-501B	Holder for I-501A	Same as I-500B.										
†	I-501C	Lens for I-501B	Same as I-500C.										
	I-502A	H.V. Primary Fuse Indicator	Same as I-500A.	VG-13									
	I-502B	Holder for I-502A	Same as I-500B.										
†	I-502C	Lens for I-502B	Same as I-500C.										
	I-503A	Pilot Light	6-8 V., Bayonet Base.	TB-11	74	(W) Mazda #44	T-7610895 P88	6	12	28	24	36	I-503A, I-504A, I-505A, I-506A, I-507A, I-508A
	I-503B	Socket for I-503A	Bezel Light Socket.		36		K-7813423 P1	6	1	28	2	3	I-503B, I-506B, I-507B
	I-504A	Pilot Light	Same as I-503A.	TB-11									
	I-504B	Socket for I-504A	Pilot Light Socket (Bayonet) All Exposed Metal, Dull Black Nickel Finish.		5	Red Lens	T-7610895 P111	6	1	28	1	2	I-504B, I-505B

1 Used on Units Serials 1 to 200.
2 Used on Units Serials 201 and up.

† To be used on Units Serials 1 to 25 incl., for Contract NXsr-30306.

8-63

PARTS AND SPARE PARTS LIST

NAVSHIPS 900,946

SECTION 8

TABLE 8-2 (Continued)

COMBINED PARTS AND SPARE PARTS LIST BY SYMBOL DESIGNATION

FOR NAVY MODELS SR AND SR-a RADAR EQUIPMENTS

See Notes	Symbol Desig.	Function	Description	Navy Type Number	Navy Spec. or Drawing Number	Mfr.	Mfr. Desig.	Special Tol. Rating or Modification	Contractor's Drawing and Part Number	Equip.		Tender		All Symbol Designations Involved
										Box Number	Quantity	Box Number	Quantity	
PPI INDICATOR CAY-55ADV OR CAY-55ADV-1 (Continued)														
	I-505A	Pilot Light	Same as I-503A.	TB-11										
	I-505B	Socket for I-505A	Same as I-504B.											
	I-506A	Pilot Light	Same as I-503A.	TB-11										
	I-506B	Socket for I-506A	Same as I-503B.											
	I-507A	Pilot Light	Same as I-503A.	TB-11										
	I-507B	Socket for I-507A	Same as I-503B.											
	I-508A	Pilot Light	Same as I-503A.	TB-11										
	I-508B	Holder for I-508A	Bayonet Socket.			37			M-7414679 P1	6	1	28	1	I-508B
	J-501 to J-505	Not Used												
1	J-506	Bezel Light Jack	1 Circuit Jack.	-49025-B		33	TC-60		T-7610895 P106	6	1	28	1	2 J-506
	J-507 To J-511	Not Used												
	J-512	Test Jack for V-516A Grid	Tip Jack—Exposed Metal to be Silver or Nickel Plated.	-49961		37 18	521 78-IP		T-7610895 P112	6	9	28	17	34 J-512, J-513, J-514, J-515, J-516, J-517, J-518, J-519, J-520, J-521, J-522, J-523, J-524, J-528, J-529, J-530, J-531
	J-513	Test Jack for V-501 Grid	Same as J-512.	-49961										
	J-514	Test Jack for V-516B Grid	Same as J-512.	-49961										

ORIGINAL

PARTS AND SPARE PARTS LIST

NAVSHIPS 900,946

SECTION 8

J-515	Test Jack for V-502A Grid	Same as J-512.	-49961																	
J-516	Test Jack for V-502B Grid	Same as J-512.	-49961																	
J-517	Test Jack for V-503A Grid	Same as J-512.	-49961																	
J-518	Test Jack for V-503B Grid	Same as J-512.	-49961																	
J-519	Test Jack for V-504 Grid	Same as J-512.	-49961																	
J-520	Test Jack for V-505A Grid	Same as J-512.	-49961																	
J-521	Test Jack for V-505B Grid	Same as J-512.	-49961																	
J-522	Test Jack for V-506A Cathode	Same as J-512.	-49961																	
J-523	Test Jack for V-506B Grid	Same as J-512.	-49961																	
J-524	Test Jack for V-507A Grid	Same as J-512.	-49961																	
J-525 to J-527	Not Used																			
J-528	Test Jack for V-514A Grid	Same as J-512.	-49961																	
J-529	Test Jack for V-514B Grid	Same as J-512.	-49961																	
J-530	Test Jack for V-515 Grid	Same as J-512.	-49961																	
J-531	275 Volt Test Jack	Same as J-512.	-49961																	
L-501	Not Used																			
L-502	82.0 Kc. Marker Coil	680 Turns, Ct., 525 MMF., #38 S.S.E. Wire Paralleled Capacity.	-47590	1			L-406844	6	1	28	1	1	L-502							
L-503	16.4 Kc. Marker Coil	1650 Turns, Ct., 2630 MMF., #38 S.S.E. Wire Paralleled Capacity.	-47591	1			L-406845	6	1	28	1	1	L-503							

1 Used on Units Serials 1 to 200.

8-65

TABLE 8-2 (Continued)

COMBINED PARTS AND SPARE PARTS LIST BY SYMBOL DESIGNATION

FOR NAVY MODELS SR AND SR-a RADAR EQUIPMENTS

See Notes	Symbol Design.	Function	Description	Navy Type Number	Navy Spec. or Drawing Number	Mfr.	Mfr. Desig.	Special Tol. Rating or Modification	Contractor's Drawing and Part Number	Equip.		Tender		All Symbol Designations Involved	
										Box Number	Quantity	Box Number	Quantity		Stock
	PPI INDICATOR CAY-55ADV OR CAY-55ADV-1 (Continued)														
	L-504	4.10 Kc. Marker Coil	3300 Turns, Ct., 0.01 MFD, #38 S.S.E. Wire Paralleled Capacity.	-47592		1			L-406846	6	1	28	1	1	L-504
	L-505	1.64 Kc. Marker Coil	4800 Turns, Ct., 0.025 MFD, #38 S.S.E. Wire Paralleled Capacity.	-47593		1			L-406848	6	1	28	1	1	L-505
	L-506	Peaking Choke	2.5 Millihenries, 780 Turns of #36 S.S.E. Copper Wire.	-47595		1			P-7708623 G2	6	1	28	2	3	L-506
	L-507	Not Used													
	L-508	Not Used													
	L-509	Video Peaking Choke	150 Microhenries $\pm 10\%$, 130 Turns, #34 S.S.E. Copper Wire.	-47594		1			M-7412182 G1	6	1	28	2	3	L-509
	L-510	Line Filter	2 Sections, 30 Turns per Section, #18 S.C.C.E. Copper Wire.	-53442		1			L-406820	6	1	28	2	3	L-510
	L-511	L.V. Filter Choke	10 Henries, 0.200 Amp. D.C., 3000 Turns #26 Enam. C. Wire D.C. Resistance 77 Ohms $\pm 15\%$.	-301163		1			L-423117	6	2	28	4	6	L-511, L-512
	L-512	L.V. Filter Choke	Same as L-511.	-301163											
	L-513	Bias Supply Choke	200 Henries, 0.01 Amp., 18,000 Turns #38 Enam. C. Wire, D.C. Resistance 5260 Ohms $\pm 15\%$.	-301161		1			L-406819	6	1	28	2	3	L-513
†	L-514	Focusing Coil	18,000 Ohms, Sealed, Approximately 42,000 Turns.	-47664		72			P-7710769 P1	6	1	28	1	1	L-514
	L-515	Yoke Coil Assembly	60 Millihenries Magnetic Deflection Coil	-471136		1			P-7713032 G1	6	1	28	2	3	L-515
	O-501	Nipple	Water Proof Cover.			1			K-7813679 P1		0	28	2	2	O-501
1	O-502	Seal	Bezel Water Seal.			1			P-7710897 P1		0	28	1	1	O-502
2	O-503	Seal	Bezel Water Seal.			1			T-7614188 P1		0	28	1	1	O-503

ORIGINAL

	O-504	Clamp	2" Can Clamp.		1		P-7710313 G1	0	28	4	4	O-504	
	O-505	Clamp	"U" Clamp—Condenser.		1		M-7411598 G1	0	28	2	2	O-505	
	O-506	Clamp	Crossed "U" Clamp—3" Can.		1		M-7411804 G1	0	28	1	1	O-506	
	O-507	Clamp	Crossed "U" Clamp—2" Can.		1		M-7411493 G1	0	28	4	4	O-507	
	O-508	Clamp	"U" Clamp—Condenser.		1		M-7411593 G1	0	28	3	3	O-508	
	O-509	Clamp			1		K-7813741 P1	0	28	1	1	O-508	
	O-510	Clamp	1" Can Clamp.		1		P-7710313 G7	0	28	1	1	O-510	
	O-511	Clamp	"U" Clamp—Condenser.		1		M-7411598 G2	0	28	2	2	O-511	
2	O-512	Hood Assembly	Viewing Light Hood.		1		P-7714495 G1	6	1	29	1	1	O-512
	O-513	Tube Clamp for V-502, V-503, V-505, V-506, V-507, V-510, V-514, V-516	Snap Action Tube Base Clamp.		1		T-7611463 G31	6	2	28	2	4	O-513
	O-514	Tube Clamp for V-511	Snap Action Tube Base Clamp.		1		T-7611463 G20	6	1	28	1	1	O-514
	O-515	Tube Clamp for V-501, V-504, V-509, V-515	Snap Action Tube Base Clamp.		1		T-7611463 G1	6	1	28	1	2	O-515
	O-516	Tube Clamp for V-513, V-517	Snap Action Tube Base Clamp.		1		T-7611463 G17	6	1	28	1	1	O-516
	O-517	Tube Clamp for V-508	Snap Action Tube Base Clamp.		1		T-7611463 G18	6	1	28	1	1	O-517
	O-518	Bracket	Resistor Board Support.		1		M-7411491 P1	0	0	0	8	O-518	
	O-519	Bracket	Resistor Board Support.		1		M-7411491 P3	0	0	0	1	O-519	
	O-520	Grommet	Rubber Grommet.		1	S # 110-6698	T-7611646 P49	0	28	5	5	O-520	
	O-521	Grommet	Rubber Grommet.		1	S # 282-498	T-7611646 P50	0	28	3	3	O-521	
	O-522	Grommet	Rubber Grommet.		45	Cat. # 155	T-7611646 P51	0	28	3	3	O-522	
	O-523	Not Used											
	O-524	Handle	Unit Removal Handle.		1		M-7411034 P1	0	28	2	2	O-524	

1 Used on Units Serials 1 to 200.
2 Used on Units Serials 201 and up.

† Unit Serial # 1 use 18000 ohms, 42000 turns.
† Unit Serial # 2 and up use 8000 ohms, 26000 turns.

PARTS AND SPARE PARTS LIST

NAVSHIPS 900,946

SECTION 8

TABLE 8-2 (Continued)

COMBINED PARTS AND SPARE PARTS LIST BY SYMBOL DESIGNATION

FOR NAVY MODELS SR AND SR-a RADAR EQUIPMENTS

See Notes	Symbol Desig.	Function	Description	Navy Type Number	Navy Spec. or Drawing Number	Mfr.	Mfr. Desig.	Special Tol. Rating or Modification	Contractor's Drawing and Part Number	Equip.		Tender		All Symbol Designations Involved	
										Box Number	Quantity	Box Number	Quantity		Stock
	PPI INDICATOR CAY-55ADV OR CAY-55ADV-1 (Continued)														
	O-525	Not Used													
	O-526	Not Used													
	O-527	Plate Cap.	Plate Connector.			23	#24		T-7611646 P60	6	1	0	1	O-527, O-529, O-530, O-531	
	O-528	Plate Cap	Anode Connector			1			M-7415218 G1	6	1	0	1	O-528	
	O-529	Plate Cap	Same as O-527.												
	O-530	Plate Cap	Same as O-527.												
	O-531	Plate Cap	Same as O-527.												
	O-5001	Coupling	Flexible Synchro.			1			M-7411208 G1		0	28	1	1	O-5001
	O-5002	Bearing	Ball Bearing.			77	XA-134 R-PP		T-7611647 P15	6	1	28	1	1	O-5002
	O-5003	Bearing	Ball Bearing.			77	#4666		T-7611647 P16	6	1	28	1	1	O-5003
	O-5004	Bearing	Ball Bearing.			1	S# 867-835		T-7611647 P17	6	1	28	1	1	O-5004
	O-5005	Bearing	Ball Bearing.			1	S# 867-836		T-7611647 P18	6	1	28	1	1	O-5005
	O-5006	Not Used													
	O-5007	Not Used													
	O-5008	Shield	Synchro Magnetic Shield.			1			M-7411292 P1		0	28	1	1	O-5008
	O-5009	Shield	Synchro Magnetic Shield.			1			M-7411274 P1		0	28	1	1	O-5009
1	O-5010	Shield	Tube Scope Shield.			1			M-7411185 G1		0	29	1	1	O-5010
	O-5011	Shield	Tube Shield Rear.			1			M-7411268 P1		0	28	1	1	O-5011

ORIGINAL

	O-5012	Gear Guard	Gear Guard and Dust Cover.		1		M-7411186 P1	0 28	1 1	O-5012
	O-5013	Dust Cover	Rotating Coil Dust Cover.		1		M-7411173 P2	0 28	3 3	O-5013
2	O-5014	Tube Shield	Scope Shield.		1		M-7411185 G2	0 29	1 1	O-5014
1	O-5015	Hood Assembly	Viewing Light Hood.		1		P-7713764 G1	6 1 29	1 1	O-5015
1	O-5016	Support	Dial Hood, Support		1		P-7710953 P1	0 28	1 1	O-5016
1	O-5017	Retainer and Glass Assembly			1		M-7411578 G1	0 28	1 1	O-5017
1	O-5018	Filter Ring Assy.	Light Filter		1		M-7411818 G1	6 1 28	1 1	O-5018
1	O-5019	Filter Ring Assy.	Light Filter.		1		M-7411818 G2	0 28	1 1	O-5019
1	O-5020	Dial Indicator Glass	Graduated Viewing Glass.		1		P-7710749 P1	0 29	1 1	O-5020
1	O-5021	Not Used								
	O-5022	Gear	Split Spur Gear, 32 Pitch 104 Teeth 14½° Pressure Angle.		1		T-7615913 P42	0	0 0	O-5022
	O-5023	Washer Felt	Grease Retainer.		1		M-7411322 P17	0 29	1 1	O-5023
	O-5024	Retainer	Tube Shock Pad—Rear.		1		M-7411242 P1	0 29	1 1	O-5024
1	O-5025	Retainer	Tube Shock Pad—Front.		1		M-7408920 P1	0 29	1 1	O-5025
	O-5026	Rubber Pad	Tube Clamp Liner.		1		K-7813446 P1	0 29	1 1	O-5026
2	O-5027	Boot—Rubber	Focus Coil Term. Board Protection.		1		M-7415508 P1	0 29	1 1	O-5027
2	O-5028	Retainer	Tube Shock Pad—Front.		1		P-7714492 P1	0 29	1 1	O-5028
	O-5029	Pinch Pinion	Motor Pinion.		1		K-7813642 P1	0 29	1 1	O-5029
	O-5030	Gear and Bearing Assembly	First Reduction Gear.		1		P-7710696 G1	0 29	1 1	O-5030
	O-5031	Pinion	Part of O-5030.		1		M-7412316 G1	0 29	1 1	O-5031
	O-5032	Gear	Part of O-5030.		1		M-7411260 G1	0 29	1 1	O-5032
	O-5033	Gear	Yoke Drive Spur Gear, 32 Pitch 180 Teeth 20° Pressure Angle.		1		T-7615913 P40	0	0 0	O-5033
	O-5034	Gear	Split Spur Gear, 32 Pitch 104 Teeth 14½° Pressure Angle.		1		T-7615913 P13	0	0 0	O-5034
	O-5035	Support	Focus Coil Support Lock.		1		P-7713760 P1	0 29	1 1	O-5035
	1 Used on Units Serials 1 to 200.				2 Used on Units Serials 201 and up.					

8-69

PARTS AND SPARE PARTS LIST

NAVSHIPS 900,946

SECTION 8

TABLE 8-2 (Continued)

COMBINED PARTS AND SPARE PARTS LIST BY SYMBOL DESIGNATION

FOR NAVY MODELS SR AND SR-a RADAR EQUIPMENTS

See Notes	Symbol Desig.	Function	Description	Navy Type Number	Navy Spec. or Drawing Number	Mfr.	Mfr. Desig.	Special Tol. Rating or Modification	Contractor's Drawing and Part Number	Equip.		Tender		All Symbol Designations Involved	
										Box Number	Quantity	Box Number	Quantity		
PPI INDICATOR CAY-55ADV OR CAY-55ADV-1 (Continued)															
2	O-5100	Bearing	Bearing for O-5101.			1			K-7818646 P1	1	2	2	O-5100		
2	O-5101	Guide Roller	Guide Roller for O-5104.			1			M-7416934 P1	1	2	2	O-5101		
2	O-5102	Dial Indicator Glass	Graduated Viewing Glass.			1			P-7714519 G1	0	1	1	O-5102		
2	O-5103	Plate	Cursor Plate—Plexiglass.			90			M-7416965 P1	0	1	1	O-5103		
2	O-5104	Ring Gear	Driven Support for O-5103.			1			T-7614212 P1	0	1	1	O-5104		
2	O-5105	Pinion Drive	Second Stage Gear Assembly.			1			M-7406930 G1	0	1	1	O-5105		
2	O-5106	Drive Shaft	First Stage Gear Assembly.			1			M-7416927 G1	0	1	1	O-5106		
2	O-5107	Filter Glass	Clear Filter Glass.			1			M-7416967 P1	0	1	1	O-5107		
2	O-5108	Filter Glass	Amber Filter Glass.			1			M-7416967 P2	0	1	1	O-5108		
2	O-5109	Filter Glass	Red Filter Glass.			1			M-7416967 P3	0	1	1	P-5109		
2	O-5110	Gasket	Buna "S" Filter Sealing Gasket.			1			P-7714521 P1	1	2	4	O-5110		
1	P-501	Plug to Bezel Lights	Single Circuit Plug.			33	TC-64		T-7610896 P167	6	1	29	1	P-501	
	R-500	Grid Resistor	100,000 Ohms \pm 5%, 1 Watt, Composition.	-63291-104	RE13A-340C	11	GB-1045		T-7610896 P180	6	3	29	8	13	R-500, R-502, R-514, R-529, R-581
	R-501	Cathode Bias Resistor	4700 Ohms \pm 5%, 1 Watt, Composition.	-63291-472	RE13A-340C	11	GB-4725		T-7610896 P181	6	4	29	11	18	R-501, R-547, R-548, R-557, R-587, R-592, R-5009
	R-502	Plate Load Resistor	Same as R-500.	-63291-104											

ORIGINAL

PARTS AND SPARE PARTS LIST

NAVSHIPS 900,946

SECTION 8

R-503	Gate Length Resistor	470,000 Ohms $\pm 5\%$, 1 Watt, Composition.	-63291-474	RE13A-340C	11	GB-4745	T-7610896 P183	6	5	29	15	25	R-503, R-504, R-506, R-517, R-531, R-533, R-558, R-577, R-582, R-585
R-504	Gate Length Resistor	Same as R-503.	-63291-474										
R-505	Gate Length Resistor	680,000 Ohms $\pm 5\%$, 1 Watt, Composition.	-63291-684	RE13A-340C	11	GB-6845	T-7610896 P185	6	1	29	2	3	R-505
R-506	Gate Length Resistor	Same as R-503.	-63291-474										
R-507	Gate Length Control Resistor	200,000 Ohms, Potentiometer.	-632636-10		11	Type J	M-7411468 P1	6	5	29	27	45	R-507, R-508, R-509, R-510, R-518, R-519, R-520, R-521, R-564
R-508	Gate Length Control Resistor	Same as R-507.	-632636-10										
R-509	Gate Length Control Resistor	Same as R-507.	-632636-10										
R-510	Gate Length Control Resistor	Same as R-507.	-632636-10										
R-511	Plate Load Resistor	5000 Ohms, $\pm 10\%$, 20 watts, wire wound, ferrule type $2\frac{1}{16}$ lg. x $\frac{3}{4}$ dia. overall.	-63015F	RE13A-372C	16		M-7409804 P38	6	1	29	2	3	R-511
R-512	Screen Load Resistor	24,000 Ohms, $\pm 10\%$, 2 Watts, Composition.	-63474-243	RE13A-340C	42	BT-2	T-7610896 P192	6	4	29	12	20	R-512, R-536, R-5002, R-5003, R-5004, R-5005, R-5006, R-5007
R-513	Grid Biasing Resistor	390,000 Ohms $\pm 5\%$, 1 Watt, Composition.	-63291-394	RE13A-340C	11	GB-3945	T-7610896 P193	6	1	29	2	3	R-513
R-514	Grid Biasing Resistor	Same as R-500.	-63291-104										
R-515	Plate Load Resistor	3900 Ohms $\pm 5\%$, 1 Watt, Composition.	-63291-392	RE13A-340C	11	GB-3925	T-7610896 P195	6	1	29	3	5	R-515, R-5019
R-516	Plate Load Resistor	1800 Ohms $\pm 5\%$, 1 Watt, Composition.	-63291-182	RE13A-340C	11	GB-1825	T-7610896 P196	6	1	29	3	5	R-516, R-527
R-517	Grid Resistor	Same as R-503.	-63291-474										

1 Used on Unit Serials 1 to 200.

2 Used on Units Serials 201 and up.

TABLE 8-2 (Continued)

COMBINED PARTS AND SPARE PARTS LIST BY SYMBOL DESIGNATION

FOR NAVY MODELS SR AND SR-a RADAR EQUIPMENTS

See Notes	Symbol Designation	Function	Description	Navy Type Number	Navy Spec. or Drawing Number	Mfr.	Mfr. Design.	Special Tol. Rating or Modification	Contractor's Drawing and Part Number	Equip.		Tender		All Symbol Designations Involved	
										Box Number	Quantity	Box Number	Quantity		
	PPI INDICATOR CAY-55ADV OR CAY-55ADV-1 (Continued)														
	R-518	Sweep Rate Resistor	Same as R-507.	-632636-10											
	R-519	Sweep Rate Resistor	Same as R-507.	-632636-10											
	R-520	Sweep Rate Resistor	Same as R-507.	-632636-10											
	R-521	Sweep Rate Resistor	Same as R-507.	-632636-10											
	R-522	Sweep Rate Resistor	220,000 Ohms \pm 5%, 1 Watt, Composition.	-63291-224		11	GB-2245		T-7610896 P202	6	3	29	9	15	R-522, R-523, R-524, R-525, R-5012, R-5013
	R-523	Sweep Rate Resistor	Same as R-522.	-63291-224											
	R-524	Sweep Rate Resistor	Same as R-522.	-63291-224											
	R-525	Sweep Rate Resistor	Same as R-522.	-63291-224											
	R-526	Sweep Rate Resistor	470 Ohms \pm 5%, 1 Watt, Composition.	-63291-471	RE13A-340C	11	GB-4715		T-7610896 P206	6	2	29	5	8	R-526, R-578, R-579
	R-527	Sweep Rate Resistor	Same as R-516.	-63291-182											
	R-528	Sweep Rate Resistor	2200 Ohms \pm 5%, 1 Watt, Composition.	-63291-222	RE13A-340C	11	GB-2225		T-7610896 P208	6	3	29	8	13	R-528, R-534, R-543, R-549, R-5016
	R-529	Plate Load Resistor	Same as R-500.	-63291-104											
	R-530	Cathode Degeneration Resistor	220 Ohms \pm 5%, 1 Watt, Composition.	-63291-221	RE13A-340C	11	GB-2215		T-7610896 P210	6	2	29	5	8	R-530, R-586, R-591

ORIGINAL

R-531	Grid Resistor	Same as R-503.	-63291-474																	
R-532	Plate Load Resistor	47,000 Ohms \pm 10%, 2 Watts, Composition.	-63474-473	RE13A-340C	42	BT-2		T-7610896 P212	6	1	29	3	5	R-532, R-588						
R-533	Grid Resistor	Same as R-503.	-63291-474																	
R-534	Cathode Bias Resistor	Same as R-528.	-63291-222																	
R-535	Cathode Bias Resistor	430 Ohms \pm 5%, 1 Watt, Composition.	-63291-431	RE13A-340C	11	GB-4315		T-7610896 P215	6	1	29	3	5	R-535, R-5010						
R-536	Center Expander Resistor	Same as R-512.	-63474-243																	
R-537	Yoke Coil Damping Resistor	27,000 Ohms \pm 5%, 1 Watt, Composition.	-63291-273	RE13A-340C	11	GB-2735		T-7610897 P217	6	2	29	5	8	R-537, R-589, R-599						
R-538	Plate Load Resistor	47,000 Ohms \pm 5%, 1 Watt, Composition.	-63291-473	RE13A-340C	11	GB-4735		T-7610897 P218	6	1	29	3	5	R-538, R-5008						
R-539	Cathode Bias Resistor	5600 Ohms \pm 5%, 1 Watt, Composition.	-63291-562	RE13A-340C	11	GB-5625		T-7610897 P219	6	1	29	3	5	R-539, R-540						
R-540	Cathode Bias Resistor	Same as R-539.	-63291-562																	
R-541	Plate Load Resistor	3300 Ohms \pm 5%, 1 Watt, Composition.	-63291-332	RE13A-340C	11	GB-3325		T-7610897 P221	6	1	29	3	5	R-541, R-546						
R-542	Grid Resistor	330,000 Ohms \pm 5%, 1 Watt, Composition.	-63291-334	RE13A-340C	11	GB-3345		T-7610897 P222	6	2	29	5	8	R-542, R-580, R-584						
R-543	Osc. Bias Resistor	Same as R-528.	-63291-222																	
R-544	Marker Control Resistor	1000 Ohms, Potentiometer—Composition.	-632722-10		11	J		T-7611594 P1	6	1	29	3	5	R-544						
R-545	Marker Control Shunt Resistor	100 Ohms \pm 5%, 1 Watt, Composition.	-63291-101	RE13A-340C	11	GB-1015		T-7610897 P225	6	1	29	2	3	R-545						
R-546	Cathode Bias Resistor	Same as R-541.	-63291-332																	
R-547	Feedback Resistor	Same as R-501.	-63291-472																	
R-548	Feedback Resistor	Same as R-501.	-63291-472																	
R-549	Feedback Resistor	Same as R-528.	-63291-222																	
R-550	Feedback Resistor	1000 Ohms \pm 5%, 1 Watt, Composition.	-63291-102	RE13A-340C	11	GB-1025		T-7610897 P230	6	1	29	3	5	R-550, R-583						

PARTS AND SPARE PARTS LIST

NAVSHIPS 900,946

SECTION 8

8-73

TABLE 8-2 (Continued)

COMBINED PARTS AND SPARE PARTS LIST BY SYMBOL DESIGNATION

FOR NAVY MODELS SR AND SR-2 RADAR EQUIPMENTS

See Notes	Symbol Desig.	Function	Description	Navy Type Number	Navy Spec. or Drawing Number	Mfr.	Mfr. Desig.	Special Tol. Rating or Modification	Contractor's Drawing and Part Number	Equip.		Tender		All Symbol Designations Involved	
										Box Number	Quantity	Box Number	Quantity		Stock
	PPI INDICATOR CAY-55ADV OR CAY-55ADV-1 (Continued)														
	R-551	Diode Shunt Resistor	1 Megohm $\pm 5\%$, 1 Watt, Composition.	-63291-105	RE13A-340C	11	GB-1055		T-7610897 P231	6	1	29	3	5	R-551, R-574
	R-552	Bias Resistor	5100 Ohms $\pm 5\%$, 1 Watt, Composition.	-63291-512	RE13A-340C	11	GB-5125		T-7610897 P232	6	1	29	2	3	R-552
	R-553	Coarse Bias Resistor	100,000 Ohms, Potentiometer, Composition.	-632721-10		11	J		M-7411468 P3	6	2	29	6	10	R-553, R-590
	R-554	Fine Bias Resistor	5100 Ohms, Potentiometer, Composition.	-632724-10		11	Type J		T-7611594 P2	6	1	29	3	5	R-554
	R-555	Bias Resistor	150,000 Ohms $\pm 5\%$, 1 Watt, Composition.	-63291-154	RE13A-340C	11	GB-1545		T-7610897 P235	6	2	29	5	8	R-555, R-5014, R-5015
	R-556	Cathode Bias Resistor	150 Ohms $\pm 5\%$, 1 Watt, Composition.	-63291-151	RE13A-340C	11	GB-1515		T-7610897 P236	6	1	29	2	3	R-556
	R-557	Plate Load Resistor	Same as R-501.	-63291-472											
	R-558	Grid Resistor	Same as R-503.	-63291-474											
	R-559	Video Gain Control Resistor	2000 Ohms, Potentiometer, Composition.	-632725-10		11	Type J		M-7411468 P15	6	1	29	3	5	R-559
	R-560	Neon Bulb Series Resistor	120,000 Ohms $\pm 5\%$, 1 Watt, Composition.	-63291-124	RE13A-340C	11	GB-1245		T-7610897 P240	6	2	29	5	8	R-560, R-561, R-567
	R-561	Neon Bulb Series Resistor	Same as R-560.	-63291-124											
	R-562	Not Used													
	R-563	L.V. Dividing Resistor	2000 Ohms, Wire Wound, Style F, Grade 1, Class 1.	-63411F	RE13A-372J	16			M-7409805 P34	6	2	29	5	8	R-563, R-566, R-575
	R-564	Bias Supply Bleeder Resistor	Same as R-507.	-632636-10											

8-74

ORIGINAL

SECTION 8

NAVSHPIS 900,946

PARTS AND SPARE PARTS LIST

ORIGINAL

R-565	L.V. Dividing Resistor	4000 Ohms, Wire Wound, Style F, Grade 1, Class 1.	-631025-F	RE13A-372J	16		M-7409805 P37	6	1	29	2	3	R-565
R-566	L.V. Dividing Resistor	Same as R-563.	-63411-F										
R-567	Neon Bulb Series Resistor	Same as R-560.	-63291-124										
R-568	Not Used												
R-569	H.V. Filter Resistor	330,000 Ohms, 5 Watts, 5000 V.D. C.W.	-633292-15		1		P-7710395 G2	6	1	29	2	3	R-569
R-570	H.V. Bleeder Resistor	6 Megohms, 6 Watts, 5000 V.D. C.W.	-633286-15		1		P-7710395 G1	6	1	29	3	5	R-570, R-571
R-571	H.V. Bleeder Resistor	Same as R-570.	-633286-15										
R-572	Shock Osc. Grid Resistor	2 Megohms \pm 5%, 1 Watt, Composition.	-63291-205	RE13A-340C	11	GB-2055	T-7610897 P252	6	1	29	3	5	R-572, R-5011
R-573	Plate Load Resistor	24,000 Ohms \pm 5%, 1 Watt, Composition.	-63291-243	RE13A-340C	11	GB-2435	T-7610897 P253	6	1	29	2	3	R-573
R-574	Filter Resistor	Same as R-551.	-63291-105										
R-575	Voltage Dropping Resistor	Same as R-563.	-63411F										
R-576	Focus Control Resistor	10,000 Ohms, Potentiometers, 2 Watts.	-631901-10		11	Type J	T-7611594 P3	6	1	29	3	5	R-576
X R-576	Focus Control Resistor	15,000 Ohms, Potentiometers, 25 Watts.	-632637-10		83	Model 245	P-7713623 P1	6	1	29	3	5	R-576
R-577	Bias Resistor	Same as R-503.	-63291-474										
R-578	Osc. Bias Resistor	Same as R-526.	-63291-471										
R-579	Cathode Bias Resistor	Same as R-526	-63291-471										
R-580	Plate Load Resistor	Same as R-542.	-63291-334										
R-581	Plate Voltage Dividing Resistor	Same as R-500.	-63291-104										
R-582	Grid Resistor	Same as R-503.	-63291-474										

X Used on Units Serials 1 to 200 incl. on Contract NXsr-30306, and Serials 201 to 400 incl. on Contract NXsr-46032.

PARTS AND SPARE PARTS LIST

NAVSHIPS 900,946

SECTION 8

TABLE 8-2 (Continued)

COMBINED PARTS AND SPARE PARTS LIST BY SYMBOL DESIGNATION

FOR NAVY MODELS SR AND SR-a RADAR EQUIPMENTS

See Notes	Symbol Desig.	Function	Description	Navy Type Number	Navy Spec. or Drawing Number	Mfr.	Mfr. Desig.	Special Tol. Rating or Modification	Contractor's Drawing and Part Number	Equip.		Tender		All Symbol Designations Involved	
										Box Number	Quantity	Box Number	Quantity		Stock
	PPI INDICATOR CAY-55ADV OR CAY-55ADV-1 (Continued)														
	R-583	Cathode Bias Resistor	Same as R-550.	-63291-102											
	R-584	Plate Load Resistor	Same as R-542.	-63291-334											
	R-585	Grid Resistor	Same as R-503.	-63291-474											
	R-586	Cathode Bias Resistor	Same as R-530.	-63291-221											
	R-587	Plate Load Resistor	Same as R-501.	-63291-472											
	R-588	Plate Load Resistor	Same as R-532.	-63474-473											
	R-589	Yoke Damping Resistor	Same as R-537.	-63291-273											
	R-590	Filter Potentiometer Resistor	Same as R-553.	-632721-10											
	R-591	Series Grid Resistor	Same as R-530.	-63291-221											
	R-592	Feedback Resistor	Same as R-501.	-63291-472											
†	R-593	Heater Resistor	10 Ohms, 8" Mtg. Centers, 35 Watts.	-632729-10		30	MR		T-7610897 P273	6	3	29	15	25	R-593, R-594, R-595, R-596, R-597
†	R-594	Heater Resistor	Same as R-593.	-632729-10											
†	R-595	Heater Resistor	Same as R-593.	-632729-10											
†	R-596	Heater Resistor	Same as R-593	-632729-10											
†	R-597	Heater Resistor	Same as R-593.	-632729-10											

8-76

ORIGINAL

8 SECTION

NAVSHIPS 900,946

PARTS AND SPARE PARTS LIST

ORIGINAL

R-598	Feedback Resistor	43 Ohms $\pm 5\%$, 1 Watt, Composition.	-63291-430	RE13A-340C	11	GB-4305	T-7610897 P278	6	1	29	2	3	R-598
R-599	Filter Resistor	Same as R-537.	-63291-273										
R-5000	Bezel Light Dimmer Resistor	50 Ohms, Potentiometer, Composition.	-632726-10		11	Type J	T-7611594 P4	6	1	29	3	5	R-5000
R-5001	H.V. Current Limiter Resistor	22,000 Ohms $\pm 5\%$, 1 Watt, Composition.	-63291-223	RE13A-340C	11	GB-2235	T-7610897 P281	6	1	29	2	3	R-5001
R-5002	Screen Load Resistor	Same as R-512.	-63474-243										
R-5003	Screen Load Resistor	Same as R-512.	-63474-243										
R-5004	Screen Load Resistor	Same as R-512.	-63474-243										
R-5005	Screen Load Resistor	Same as R-512.	-63474-243										
R-5006	Plate Load Resistor	Same as R-512.	-63474-243										
R-5007	Plate Load Resistor	Same as R-512.	-63474-243										
R-5008	Plate Load Resistor	Same as R-538.	-63291-473										
R-5009	Coil Shunt Resistor	Same as R-501.	-63291-472										
R-5010	Cathode Bias Resistor	Same as R-535.	-63291-431										
R-5011	Grid Resistor	Same as R-572.	-63291-205										
R-5012	Cathode Bias Resistor	Same as R-522.	-63291-224										
R-5013	Cathode Bias Resistor	Same as R-522.	-63291-224										
R-5014	Bias Resistor	Same as R-555.	-63291-154										
R-5015	Sweep Linearity	Same as R-555.	-63291-154										
R-5016	Sweep Rate Resistor	Same as R-528.	-63291-222										
R-5017	Bias Shunt Resistor	7500 Ohms $\pm 5\%$, 1 Watt, Composition.	-63291-752	RE13A-340C	11	GB-7525	T-7610898 P351	6	1	29	2	3	R-5017

† R-593 to R-597 Heaters will be used in early model equipments only, later as R-5018.

PARTS AND SPARE PARTS LIST

NAVSHPIS 900,946

SECTION 8

TABLE 8-2 (Continued)

COMBINED PARTS AND SPARE PARTS LIST BY SYMBOL DESIGNATION

FOR NAVY MODELS SR AND SR-a RADAR EQUIPMENTS

See Notes	Symbol Desig.	Function	Description	Navy Type Number	Navy Spec. or Drawing Number	Mfr.	Mfr. Desig.	Special Tol. Rating or Modification	Contractor's Drawing and Part Number	Equip.		Tender		All Symbol Designations Involved	
										Box Number	Quantity	Box Number	Quantity		Stock
	PPI INDICATOR CAY-55ADV OR CAY-55ADV-1 (Continued)														
†	R-5018	Heater Resistor	66 Ohms, 200 Watts, 115 Volts.	-632629-10		1			P-7713498 P1	6	1	29	3	5	R-5018
	R-5019	Plate Load Resistor	Same as R-515.	-63291-392											
	S-500	Range Switch	2 P., 4 T., 2 Deck, Rotary.			34	H Cer-amic		P-7711287 P1	6	1	29	1	1	S-500
	S-501	Main "On-Off" Switch	D.P.S.T., Bushing Length $1\frac{1}{2}$ ".	ST50K		24	8822-K5		T-7610898 P291	6	1	29	1	2	S-501, S-502
	S-502	Center Expansion Switch	Same as S-501.	ST50K											
	S-503	Heater Thermostat	S.P.S.T., 110 V.A.C., 10 Amps., to Open at 27° C. to 35° C. and Close at 1° C. to 9° C., Bi-Metallic Thermostat Type.	-40165		1	S# 121-4908		M-7406282 P17	6	1	29	2	4	S-503
	T-500	L.V. Power Transformer	142 Va., Prim. 115 Volts, 60 Cycle Secondary: 6.3 V. at 10 A., 6.3 V. at .6 A., 5 V.C.T. at 3 A., 850 V.C.T. at .142 A., 65 V. at .142 A.	-301164		1	R-1319		T-7610898 P300	6	1	29	2	3	T-500
	T-501	H.V. Power Transformer	16.5 Va., 60 Cycle. Wdg. Taps Volts Amps. Turns Res. Pri. 1 to 2 115 1.5 400 10 Sec. 1 4 to 5 3890 .0023 13500 8550 Sec. 2 3 to 4 2.5 3.0 9.5 .038 Pri. Induct. 1.2 Henries.	-301158		1			L-406784	6	1	29	2	3	T-501
	T-502	Output Transformer	10 Va., 22 Hen., P-# 32E, S-# 30E. Wdg. Volts Amps. Turns Res. Pri. 220 .053 3200 260 Sec. 75 .117 720 110 Primary, 70 Ma., D. C. Secondary, 0 Ma. D. C. Primary Impedance 3600 Ohms. Secondary Impedance 7200 Ohms.	-301668		32	UX-7489		T-7610898 P302	6	1	29	2	3	T-502

ORIGINAL

T-503	Blocking Osc. Transformer	No Definite Voltage, Current or Va. Ratings. Winding Size of Wire Resistance P 2 of # 32 .45 Ohm En in Parallel = 15% S1 2 of # 32 .40 Ohms En in Parallel = 15% S2 # 32 En 1.90 Ohms = 15% Insulation Test—The Completed Transformer shall withstand 600 V., 60 Cycle applied between Windings, Core and the Case for a Period of 1 Minute.	-303504	1	R-1396	T-7610898 P303	6	1	29	2	3	T-503
V-501	Gate Tube	Transmitting Pentode Audio Freq. Power Amplifier Tube. Glass. Type of Base, Metal Five Pin Type. Small Metal Cap. Heater Current 0.9 Amp., 6.3 V. Plate Dissipation 25 Watts.	-807	74	-807	T-7611041 P49	13	6	25	9	0	V-501, V-504, V-515
V-502	Sweep Tube and Feedback Amplifier	Twin Triode Amplifier Tube. Glass Type and Size of Base, Intermediate Shell Octal 8 Pin. Heater Current 6.3 V., 0.6 Amp.	-6SN7GT	6	6SN7-GT	T-7611041 P50	13	14	25	21	0	V-502, V-503, V-505, V-506, V-507, V-510, V-516
V-503	Feedback Amplifier and Clipper Tube	Same as V-502.	-6SN7GT									
V-504	Sweep Output Tube	Same as V-501.	-807									
V-505	Shock Osc. and Feedback Amplifier Tube	Same as V-502.	-6SN7GT									
V-506	Half Multivibrator and Amplifier Tube	Same as V-502.	-6SN7GT									
V-507	Blocking Oscillator and D.C. Restorer Tube	Same as V-502.	-6SN7GT									
V-508	Video Amplifier Tube	Video Power Amplifier Pentode Medium Shell Base, Small Wafer Octal 8 Pin. Heater Current 6.3 V. and .65 Amp.	-6AG7	6	6AG7	T-7611041 P56	13	2	25	3	0	V-508

† R-593 to R-597 Heaters will be used on early model equipments only, later as R-5018.

PARTS AND SPARE PARTS LIST

NAVSHIPS 900,946

SECTION 8

8-79

TABLE 8-2 (Continued)

COMBINED PARTS AND SPARE PARTS LIST BY SYMBOL DESIGNATION

FOR NAVY MODELS SR AND SR-a RADAR EQUIPMENTS

See Notes	Symbol Desig.	Function	Description	Navy Type Number	Navy Spec. or Drawing Number	Mfr.	Mfr. Desig.	Special Tol. Rating or Modification	Contractor's Drawing and Part Number	Equip.		Tender		Stock	All Symbol Designations Involved
										Box Number	Quantity	Box Number	Quantity		
	PPI INDICATOR CAY-55ADV OR CAY-55ADV-1 (Continued)														
	V-509	L.V. Rectifier Tube	Full Wave High Vacuum Rectifier Tube, Glass Bulb. Medium Shell Octal 5 Pin Base. Heater Current 5 V., 3 Amps.	-5U4G		6	5U4G		T-7611041 P57	13	2	25	3	0	V-509
	V-510	Bias Rectifier Tube	Same as V-502.	-6SN7GT											
	V-511	H.V. Rectifier Tube	High Voltage, Half Wave Vacuum Rectifier. Medium 4 Prong Base, Medium Plate Cap. Glass Bulb. Filament 2.5 Volts at 2.5 Amps.	RKR-72		32	RKR-72		T-7611041 P59	13	2	25	3	0	V-511
	V-512	Cathode Ray Tube	Cathode Ray Tube—Long Persistent Screen Type and Size of Base Octal 8 Pin. Small Snap Fastener Cap. Heater Current 6.3 V., 0.6 Amp.	-7BP7		6	7BP7		T-7611041 P60	13	2	25	3	0	V-512
	V-513	Voltage Regulator Tube	Voltage Regulator Tube, Glass Bulb Small Shell Octal 6 Pin Base. Cold Cathode, No Filament.	-VR150/30		6	VR-150/30		T-7611041 P61	13	4	25	6	0	V-513, V-517
	V-514	Servo Amplifier Tube	Twin Triode Amplifier Tube, Glass Type and Size of Base—Intermediate Shell Octal 8 Pin. Heater Current 6.3 V., 0.3 Amp.	-6SL7GT		6	6SL-7GT		T-7611041 P62	13	2	25	3	0	V-514
	V-515	Servo Power Amplifier Tube.	Same as V-501.	-807											
	V-516	Pulse Amplifier and Multivibrator	Same as V-502.	-6SN7GT											
	V-517	Voltage Regulator Tube	Same as V-513.	-VR150/30											
	X-501	Socket for V-501	5 Prong.	-49375	RE49AA-312A	18	MIP-5TM		T-7610898 P324	6	2	29	2	3	X-501, X-504, X-515

ORIGINAL

X-502	Socket for V-502	Octal—8 Prong.	-49374	RE49AA-312A	18 36	MIP-8TM 9661	T-7610898 P325	6	6	29	6	12	X-502, X-503, X-505, X-506, X-507, X-508, X-509, X-510, X-513, X-514, X-516, X-517
X-503	Socket for V-503	Same as X-502.	-49374										
X-504	Socket for V-504	Same as X-501.	-49375										
X-505	Socket for V-505	Same as X-502.	-49374										
X-506	Socket for V-506	Same as X-502.	-49374										
X-507	Socket for V-507	Same as X-502.	-49374										
X-508	Socket for V-508	Same as X-502.	-49374										
X-509	Socket for V-509	Same as X-502.	-49374										
X-510	Socket for V-510	Same as X-502.	-49374										
X-511	Socket for V-511	4 Prong, Steatite.	-49368	RE49AA-312A	18	RSS4	T-7610898 P334	6	1	29	1	1	X-511
X-512	Socket for V-512	Octal with Shield.	-49814	RE49AA-312A	18	PF811- TM	T-7610898 P335	6	1	29	1	1	X-512
X-513	Socket for V-513	Same as X-502.	-49374										
X-514	Socket for V-514	Same as X-502.	-49374										
X-515	Socket for V-515	Same as X-501.	-49375										
X-516	Socket for V-516	Same as X-502.	-49374										
X-517	Socket for V-517	Same as X-502.	-49374										
RANGE SCOPE CAY-55AFB													
C-601	Capacitor—Synchronizing Pulse Input Coupling	510 MMF. $\pm 10\%$, 500 V.D.C. Working, Mica.	-481660-B10		47	1468-LST	T-7610947 P1	7	1	6	2	3	C-601, C-607, C-628
C-602	Capacitor—Cathode By-Pass	1 MFD. $\pm 10\%$, 500 V.D.C. Working, Oil Filled, Paper.	-48553	RE13A-488D	7	9CE-6A4	T-7610947 P2	7	2	6	5	8	C-602, C-622, C-646
C-603	Not Used												
C-604	Capacitor—Coupling	.25 MFD. $\pm 10\%$, 600 V.D.C. Working, Oil Filled, Paper.	-483970-10	RE13A-488D	47	618B	T-7610947 P4	7	2	6	6	10	C-604, C-614, C-636, C-637

PARTS AND SPARE PARTS LIST

NAVSHIPS 900,946

SECTION 8

8-81

TABLE 8-2 (Continued)

COMBINED PARTS AND SPARE PARTS LIST BY SYMBOL DESIGNATION

FOR NAVY MODELS SR AND SR-a RADAR EQUIPMENTS

See Notes	Symbol Desig.	Function	Description	Navy Type Number	Navy Spec. or Drawing Number	Mfr.	Mfr. Desig.	Special Tol. Rating or Modification	Contractor's Drawing and Part Number	Equip.		Tender		All Symbol Designations Involved	
										Box Number	Quantity	Box Number	Quantity		Stock
	RANGE SCOPE CAY-55AFB (Continued)														
	C-605	Capacitor—Coupling	.0025 MFD. $\pm 5\%$, 500 V.D.C. Working, Mica.	-481089-B5	RE13A-488D	47 39	1467-LS		T-7610947 P5	7	1	6	1	1	C-605
	C-606	Not Used													
	C-607	Capacitor—Coupling	Same as C-601.	-481660-B10											
	C-608	Not Used													
	C-609	Capacitor—Screen Grid By-Pass	4 MFD. $\pm 10\%$, 600 V.D.C. Working, Oil Filled, Paper.	-483963-10	RE13A-488D	47	609-MB		T-7610947 P9	7	3	5	8	13	C-609, C-613, C-620, C-642, C-643
	C-610	Capacitor—Delay	75 MMF. $\pm 10\%$, 500 V.D.C. Working, Silver Mica.	-481440-B10	RE48AA-143	47 39	1469		T-7610947 P10	7	1	6	1	1	C-610
	C-611	Capacitor—Delay	420 MMF. $\pm 10\%$, 500 V.D.C. Working, Silver Mica.	-484001-D10		47 39	1469		T-7610947 P11	7	1	6	1	1	C-611
	C-612	Not Used													
	C-613	Capacitor—Cathode By-Pass	Same as C-609.	-483963-10											
	C-614	Capacitor—Coupling	Same as C-604.	-483970-10											
	C-615	Capacitor—Coupling	.05 MFD. $+20\%$, -3% , 600 V.D.C. Working, Oil Filled, Paper.	-482618*	RE48AA-143	47	618B	Terms on Bot.	T-7610947 P15	7	1	6	2	3	C-615
	C-616	Capacitor—Screen By-Pass	.5 MFD. $\pm 10\%$, 600 V.D.C. Working, Oil Filled, Paper.	-483969-10	RE13A-488D	47	618B	Terms on Bot.	T-7610947 P16	7	1	6	3	5	C-616, C-638
	C-617	Capacitor—Coupling	.015 MFD. $\pm 10\%$, 2500 V.D.C. Working, Oil Filled, Paper.	-481505-A10 or CM60A-153K	RE48AA-112	47 39	1652-AM XM-PW		T-7610947 P17	7	1	6	2	2	C-617, C-640

ORIGINAL

C-618	Capacitor—Filter	10 MFD. $\pm 10\%$, 600 V.D.C. Working, Oil Filled, Paper.	-482533-10	RE13A-488D	1	S# 131-8745		T-7610947 P18	7	1	6	3	5	C-618, C-619
C-619	Capacitor—Filter	Same as C-618.	-482533-10											
C-620	Capacitor—Filter	Same as C-609.	-483963-10											
C-621	Capacitor—Coupling	.01 MFD. $\pm 20\%$, 500 V.D.C. Working, Mica.	-481506-B20	RE48AA-143	47	1467-39 LS		T-7610947 P21	7	1	6	3	5	C-621, C-626, C-635, C-644 C-645
C-622	Capacitor—Screen By-Pass	Same as C-602.	-48553											
C-623	Capacitor—Cathode By-Pass	600 MMF. $\pm 20\%$, 300 V.D.C. Working, Mica.	-483007-B20*	RE48AA-143	47	1467-39 LST		T-7610947 P23	7	1	6	1	1	C-623
C-624	Capacitor—H.V. Filter	.1 MFD. $\pm 10\%$, 3000 V.D.C.W., Oil Filled, Paper.	-481275-10	RE13A-488D	47	3014		T-7610947 P24	7	2	5	5	8	C-624, C-625 C-639
C-625	Capacitor—H.V. Filter	Same as C-624.	-481275-10											
C-626	Capacitor—Coupling	Same as C-621.	-481506-B20											
C-627	Capacitor—Coupling	.005 MFD. $\pm 10\%$, 300 V.D.C. Working, Mica.	-481037-B10*	RE48AA-143	47	1467-39 LS		T-7610947 P27	7	1	6	2	2	C-627, C-630
C-628	Capacitor—Cathode Peaking	Same as C-601.	-481660-B10											
C-629	Capacitor—Coupling	100 MMF. $\pm 10\%$, 500 V.D.C. Working, Ceramic.	-481959-10		29	N-750-L100		T-7610947 P29	7	1	6	1	1	C-629
C-630	Capacitor—Coupling	Same as C-627.	-481037-B10*											
C-631	Capacitor—Coupling	.5 MFD. $\pm 10\%$, 600 V.D.C. Working, Oil Filled, Paper.	-483969-10	RE13A-488D	47	618B	Terms on Bot.	T-7610947 P31	7	1	6	2	3	C-631
C-632	Capacitor—Sweep Rate	300 MMF. $\pm 10\%$, 500 V.D.C. Working, Mica.	-481014-B10	RE48AA-143	47	1468-LST		T-7610947 P32	7	1	6	1	1	C-632
C-633	Capacitor—Sweep Rate	.0015 MFD. $\pm 10\%$, 500 V.D.C. Working, Mica.	-481088-B10	RE48A-A143	47	1467-39 LS		T-7610947 P33	7	1	6	1	1	C-633
C-634	Capacitor—Sweep Rate	.0056 MFD. $\pm 10\%$, 500 V.D.C. Working, Mica.	CM35B-562K	RE48AA-143	47	1467-39 LS		T-7610947 P34	7	1	6	1	1	C-634
C-635	Capacitor—Sweep Rate	Same as C-621.	-481506-B20											

* For replacement use.

PARTS AND SPARE PARTS LIST

NAVSHIPS 900,946

SECTION 8

TABLE 8-2 (Continued)

COMBINED PARTS AND SPARE PARTS LIST BY SYMBOL DESIGNATION

FOR NAVY MODELS SR AND SR-a RADAR EQUIPMENTS

See Notes	Symbol Desig.	Function	Description	Navy Type Number	Navy Spec. or Drawing Number	Mfr.	Mfr. Desig.	Special Tol. Rating or Modification	Contractor's Drawing and Part Number	Equip.		Tender		All Symbol Designations Involved
										Box Number	Quantity	Box Number	Quantity	
RANGE SCOPE CAY-55AFB (Continued)														
	C-636	Capacitor—Coupling	Same as C-604.	-483970-10										
	C-637	Capacitor—Coupling	Same as C-604.	-483970-10										
	C-638	Capacitor—Decoupling	Same as C-616.	-483969-10										
	C-639	Capacitor—Cathode By-Pass	Same as C-624.	-481275-10										
	C-640	Capacitor—Focus By-Pass	Same as C-617.	-481505-A10 or CM-60A153K										
	C-641	Capacitor—Coupling	.015 MFD. ±10%, 2500 V.D.C. Working, Mica.	-481505-A10	RE48AA-112	47	1652A XMW		T-7610947 P41	7	1	6	1	1 C-641
	C-642	Capacitor—Decoupling	Same as C-609.	-483963-10										
	C-643	Capacitor—Plate By-Pass	Same as C-609.	-483963-10										
	C-644	Capacitor Sweep Rate	Same as C-621.	-481506-B20										
	C-645	Capacitor—Sweep Rate	Same as C-621.	-481506-B20										
	C-646	Capacitor—Marker Decoupling	Same as C-602.	-48553										
	C-647	Capacitor—Coupling	.1 MFD. ±10%, 600 V.D.C. Working, Oil Filled, Paper.	-482535-10	RE13A-488D	47	618		T-7610947 P47	7	1	6	3	5 C-647, C-648
	C-648	Capacitor—Coupling	Same as C-647.	-482535-10										

ORIGINAL

C-649	Capacitor— H.V. Filter	.5 MFD. ±10%, 3000 V.D.C. Work- ing, Oil Filled, Paper.	-483964-10 or -484003-10	RE13A- 488D	47 12	3009- MS TJU- 30005	T-7610947 P49	7	1	5	2	3	C-649
C-650	Capacitor—Delay	1800 MMF. ±10%, 500 V.D.C. Working, Silver Mica.		RE48AA- 143	47 39	1464	T-7610947 P50	7	1	6	1	1	C-650
E-601	Terminal Block	Case Connection.			21	5-142	T-7611979 P1		0	6	2	3	E-601, E-602, E-603
E-601A	Strip	Terminal Marking.			1		K-7816940 P1		0	6	1	1	E-601A
E-602	Terminal Block	Same as E-601.											
E-602A	Strip	Terminal Marking.			1		K-7816941 P1		0	6	1	1	E-602A
E-603	Terminal Block	Same as E-601.											
E-603A	Strip	Terminal Marking.			1		K-7816942 P1		0	6	1	1	E-603A
E-604 to E-610	Not Used												
E-611	Knob	Potentiometer Control.			1		K-7813353 G1		0	6	1	1	E-611
E-612	Knob	Marker Switch Knob.			1		K-7813923 G1		0	6	1	1	E-612
E-613	Knob	Potentiometer Knob.			1		P-7709350 G1		0	6	3	5	E-613
E-614	Knob	Switch Knob.			1		P-7708220 P2		0	6	1	1	E-614
E-615 to E-619	Not Used												
E-620	Insulator	Resistor Stand-Off.	-61161		48	#1706	T-7611979 P20	7	3	6	6	12	E-620
E-621	Insulator	Tube Socket Stand-Off.	-61415		44	#395 ½ Lg.	T-7611979 P21	7	6	6	11	22	E-621, E-622, E-623, E-624
E-622	Insulator	Same as E-621.	-61415										
E-623	Insulator	Same as E-621.	-61415										
E-624	Insulator	Same as E-621.	-61415										
E-625	Not Used												
E-626	Not Used												
E-627	Insulator	Capacitor Insulator.			1		M-7412155 G1	7	1	6	1	2	E-627
F-628	Insulator	Capacitor Insulator.			1		K-7814491 P1	7	1	6	2	4	E-628

PARTS AND SPARE PARTS LIST

NAVSHIPS 900,946

SECTION 8

8-85

TABLE 8-2 (Continued)

COMBINED PARTS AND SPARE PARTS LIST BY SYMBOL DESIGNATION

FOR NAVY MODELS SR AND SR-a RADAR EQUIPMENTS

See Notes	Symbol Desig.	Function	Description	Navy Type Number	Navy Spec. or Drawing Number	Mfr.	Mfr. Desig.	Special Tol. Rating or Modifi- cation	Contractor's Drawing and Part Number	Equip.		Ten- der		Stock	All Symbol Designations Involved
										Box Number	Quantity	Box Number	Quantity		
	RANGE SCOPE CAY-55AFB (Continued)														
	E-629	Insulator	Capacitor Insulator.			1			K-7812032 P1	7	11	6	22	44	E-629, E-630
	E-630	Insulator	Same as E-629.												
	F-600A	L.V. Primary Fuse	3 Amps., 250 Volts.	-28032-3		31	3AG-1043		T-7610947 P56	7	10	6	20	50	F-600A
	F-600B	L.V. Primary Fuse Holder	Fuse Holder.			4	HCM		T-7610947 P72	7	1	6	1	2	F-600B, F-601B
	F-601A	H.V. Primary Fuse	2 Amps., 250 Volts.	-28032-2		31	3AG-1042		T-7610947 P57	7	10	6	20	50	F-601A
	F-601B	H.V. Primary Fuse Holder	Same as F-600B.												
	H-601	Shield	Potentiometer Control Knob with Water Shield.			1			K-7813516 P1	0	0	0	0	1	H-601
	H-602	Shield	Scope Tube Shield.			1			P-7710886 G1	0	0	0	0	1	H-602
	H-603	Retainer	Tube Buffer Retainer.			1			M-7414191 P1	0	0	0	0	1	H-603
	H-604	Not Used													
	H-605	Screw	Potentiometer Knob Retainer Screw			1			K-7813351 P1	0	0	0	0	1	H-605
	H-606	Screw	Cable Clamp Thumb Screw.			1			M-7407877 P6	0	0	0	0	1	H-606
	H-607	Screw	Panel Thumb Screw.			1			M-7411291 P1	0	0	0	0	4	H-607
	H-608	Screw	Potentiometer Lock Thumb Screw.			1			K-7814151 P1	0	0	0	0	5	H-608
	H-609	Screw	Bezel Thumb Screw.			1			K-7813820 P1	0	0	0	0	4	H-609
	H-610	Screw	Bezel Thumb Screw.			1			M-7411291 P3	0	0	0	0	2	H-610
	H-611	Lock	Potentiometer Shaft Lock.			49	# 100-61		T-7611979 P49	0	0	0	0	6	H-611, H-612

ORIGINAL

	H-612	Lock	Same as H-611.																	
	H-613	Handle	Unit Pull Out Handle.			1		M-7411034 P1	0	0	2									H-613
	H-614	Clamp	Cable Clamp.			1		M-7411437 G1	0	0	1									H-614
†	H-615	Nut—Hex.	Minalite Retainer.			1		K-7813749 P1	0	0	2									H-615
	H-616	Clip	Resistor Clip.			1		M-7403088 P1	0	0	6									H-616
	H-617	Terminal	Resistor End Terminal.			1	S# 231-124	T-7611979 P55	0	0	10									H-617
	H-618	Terminal	Resistor End Terminal.			1	S# 110-40	T-7611979 P56	0	0	3									H-618
	H-6001	Housing Assy.	Potentiometer Cover.			1		P-7711586 G1	0	0	1									H-6001
	H-6002	Pin	Potentiometer Coupling Pin.			1		K-7813327 P1	0	0	4									H-6002
	H-6003	Spring	Coupling Pin Spring.			1		K-7813328 P1	0	0	4									H-6003
	H-6004	Not Used																		
	H-6005	Bearing	Shaft Bearing.			1		K-7813334 P1	0	0	1									H-6005
	H-6006	Not Used																		
	H-6007	Bracket				1		K-7814482 P1	0	0	2									H-6007
	I-600A	L.V. Primary Fuse Indicator	1/25 Watt, Neon Bulb, Bayonet Base.	VG-13		1	T2-NE-15	T-7610947 P60	7	4	6	8	12							I-600A, I-601A
	I-600B	Holder for I-600A	Bayonet Base Socket Supplied with Black Rubber Washer.			5	PLN-844-NE 15-H	T-7610947 P68	7	1	6	1	2							I-600B, I-601B
†	I-600C	Lens for I-600B	Clear.			1	S# 822-270	T-7610947 P70	7	1	6	1	2							I-600C, I-601C
	I-601A	H.V. Primary Fuse Indicator	Same as I-600A.	VG-13																
	I-601B	Holder for I-601A	Same as I-600B.																	
†	I-601C	Lens for I-601B	Same as I-600C																	
	I-602A	Pilot Light	6-8 Volts, Bayonet.	TB-11		74	(W) Mazda # 44	T-7610947 P62	7	6	6	12	18							I-602A, I-603A I-604A
	I-602B	Holder for I-602A	Bayonet Receptacle.			37		K-7814036 P1	7	1	6	1	2							I-602B, I-603B

† To be supplied on Units Serial 1 to 25 incl. on Contract NXsr-30306.

8-87

PARTS AND SPARE PARTS LIST

NAVSHIPS 900,946

SECTION 8

TABLE 8-2 (Continued)

COMBINED PARTS AND SPARE PARTS LIST BY SYMBOL DESIGNATION

FOR NAVY MODELS SR AND SR-a RADAR EQUIPMENTS

See Notes	Symbol Design.	Function	Description	Navy Type Number	Navy Spec. or Drawing Number	Mfr.	Mfr. Desig.	Special Tol. Rating or Modification	Contractor's Drawing and Part Number	Equip.		Tender		All Symbol Designations Involved
										Box Number	Quantity	Box Number	Quantity	
	RANGE SCOPE CAY-55AFB (Continued)													
	I-603A	Pilot Light	Same as I-602A.	TB-11										
	I-603B	Holder for I-603A	Same as I-602B.											
	I-604A	Pilot Light	Same as I-602A.	TB-11										
	I-604B	Holder for I-604A	Bayonet Socket.			37			K-7814035 P1	7	1	6	1	I-604B
	J-601 to J-606	Not Used												
	J-607	V-600A Grid Test Jack	Tip Jack	-49961		37	521		T-7610948 P77	7	9	6	17	J-607 to J-616, J-619 to J-624, J-627.
	J-608	V-606B, Cathode Test Jack	Same as J-607.	-49961										
	J-609	V-601 Grid Test Jack	Same as J-607.	-49961										
	J-610	V-602 Grid Test Jack	Same as J-607.	-49961										
	J-611	V-603A, V-603B, Grid Test Jack	Same as J-607.	-49961										
	J-612	V-604 Grid Test Jack	Same as J-607.	-49961										
	J-613	V-600B Grid Test Jack	Same as J-607.	-49961										
	J-614	V-606A Grid Test Jack	Same as J-607.	-49961										
	J-615	V-607A Grid Test Jack	Same as J-607.	-49961										

ORIGINAL

J-616	V-607B Grid Test Jack	Same as J-607.	-49961																	
J-617	Not Used																			
J-618	Not Used																			
J-619	V-601A Grid Test Jack	Same as J-607.	-49961																	
J-620	V-610B Grid Test Jack	Same as J-607.	-49961																	
J-621	V-611A Grid Test Jack	Same as J-607.	-49961																	
J-622	V-611B Cathode Test Jack	Same as J-607.	-49961																	
J-623	V-612A Grid Test Jack	Same as J-607.	-49961																	
J-624	V-612B Grid Test Jack	Same as J-607.	-49961																	
J-625	Not Used																			
J-626	Not Used																			
J-627	V-603A Cathode Test Jack	Same as J-607.	-49961																	
L-601	82 K.C. Marker Coil	4.55 Millihenries, 680 Turns #38 Wire, C.T., 71 Ohms, Ins. for 500 V.	-47590	1				L-406844	7	1	6	1	1	L-601						
L-602	16.4 K.C. Marker Coil	29.5 Millihenries, 1650 Turns #38 Wire, C.T., 200 Ohms, Ins. for 500 V.	-47591	1				L-406845	7	1	6	1	1	L-602						
L-603	4.1 K.C. Marker Coil	121 Millihenries, 3300 Turns, #38 Wire, C.T., 440 Ohms, Ins. for 500 V.	-47592	1				L-406846	7	1	6	1	1	L-603						
L-604	.82 K.C. Marker Coil	543 Millihenries, 6200 Turns, #38 Wire, C.T., 1070 Ohms, Ins. for 500 V.		1				L-406847	7	1	6	1	1	L-604						
L-605	Peaking Choke	2.5 Millihenries, 3 Sections of 260 Turns/Sec. #36 Wire, 80 Ohms Res.	-47595	1				P-7708623 G2	7	1	6	1	1	L-605						
L-606	Not Used																			
L-607	Not Used																			

PARTS AND SPARE PARTS LIST

NAVSHIPS 900/946

SECTION 8

TABLE 8-2 (Continued)

COMBINED PARTS AND SPARE PARTS LIST BY SYMBOL DESIGNATION

FOR NAVY MODELS SR AND SR-a RADAR EQUIPMENTS

See Notes	Symbol Design.	Function	Description	Navy Type Number	Navy Spec. or Drawing Number	Mfr.	Mfr. Desig.	Special Tol. Rating or Modification	Contractor's Drawing and Part Number	Equip.		Tender		All Symbol Designations Involved	
										Box Number	Quantity	Box Number	Quantity		Stock
	RANGE SCOPE CAY-55AFB (Continued)														
	L-608	L.V. Filter Choke	15 Henries, 200 Ohms, 0.15 Amp. D.C., Insulated for 300 V.	-301166	RE13A-553B	1	R-1317		T-7610948 P112	7	2	6	4	6	L-608, L-609
	L-609	L.V. Filter Choke	Same as L-608.	-301166											
	L-610	Line Filter	115 V., 2 Amps., 60 Cycle, 20 Microhenries, .065 Ohm, # 18 Wire.	-53442		1			L-406820	7	1	6	1	1	L-610
	L-611	Choke Video Peaking	56 Turns Universal Wound, # 30 Wire, 25 Microhenries, 0.5 Ohm.			1			M-7414514 G1	7	1	6	1	1	L-611
	O-601	Clamp—for V-608	Tube Clamp.			1			K-7818877 G1	7	1	6	1	2	O-601, O-607
	O-602	Clamp—for V-604	Tube Clamp.			1			T-7611463 G18	7	1	6	1	1	O-602
	O-603	Clamp—for V-610 to V-613, Incl.	Tube Clamp.			1			T-7611463 G31	7	2	6	2	4	O-603, O-604
	O-604	Clamp—for V-600 V-603, V-606, V-607	Same as O-603.												
	O-605	Clamp—for V-614	Tube Clamp.			1			T-7611463 G19	7	1	6	1	1	O-605
	O-606	Clamp—for V-609	Tube Clamp.			1			T-7611463 G1	7	1	6	1	1	O-606
	O-607	Clamp—for V-601 V-602	Same as O-601.												
	O-608	Clamp	Window Clamp.			1			K-7813802 P1	0	6	1	1	1	O-608
	O-609	Clamp	"U" Condenser Clamp.			1			M-7411071 G1	0	6	1	1	1	O-609
	O-610	Clamp	2" Can Clamp.			1			P-7710313 G1	0	6	1	1	1	O-610
	O-611	Clamp	1 3/8" Can Clamp.			1			P-7710313 G4	0	6	1	1	1	O-611
	O-612	Clamp	Double 2" Can Clamp.			1			M-7412281 G1	0	6	2	2	2	O-612

ORIGINAL

PARTS AND SPARE PARTS LIST

NAVSHIPS 900,946

SECTION 8

O-613	Not Used												
O-614	Buffer	Tube Front Buffer.											
O-615	Grommet	Lead Thru.	1			P-7711631 P1		0	6	1	1		O-614
O-616	Grommet	Same as O-615.											
O-617	Grommet	Same as O-615.											
O-618	Grommet	Lead Thru.	1	S# 110-6698		T-7611980 P82		0	6	13	13		O-615, O-616, O-617
O-619	Grommet	Lead Thru.	45	#155		T-7611980 P86		0	6	1	1		O-619
O-620	Grommet	Same as O-618.											
O-621	Grommet	Same as O-618.											
O-622	Window		1			K-7813617 P1		0	6	1	1		O-622
O-623	Hood Assembly	Viewing Hood.	1			P-7714070 G1	7	1	5	1	1		O-623
O-6001	Gear	Worm Gear and Shaft Assembly.	1			K-7813459 G1		0	6	1	1		O-6001
O-6002	Worm	Potentiometer Drive Gear Worm.	1			K-7814145 P1		0	6	1	1		O-6002
O-6003	Gear	Split Spur Gear.	1			M-7411463 G1		0	6	1	1		O-6003
O-6004	Gear	Split Spur Gear.	1		See Note	K-7411464 G1		0	6	1	1		O-6004
O-6005	Gear	Veeder Drive Gear.	1		See Note	K-7813591 P1		0	6	1	1		O-6005
O-6006	Not Used												
O-6007	Not Used												
O-6008	Gear	Spur Gear.	1			K-7813522 P1		0	6	1	1		O-6008
O-6009	Gear	Spur Gear.	1			M-7411410 P1		0	6	1	1		O-6009
O-6010 A	Gear	Miter Gear.	1			K-7813523 P1		0	6	1	1		O-6010A
O-6010 B	Gear	Miter Gear.	1		Tie to O-6010 B	K-7813523 P2		0	6	1	1		O-6010B

O-6003, O-6004, O-6005 must be tied together.

8-91

TABLE 8-2 (Continued)

COMBINED PARTS AND SPARE PARTS LIST BY SYMBOL DESIGNATION

FOR NAVY MODELS SR AND SR-a RADAR EQUIPMENTS

See Notes	Symbol Desig.	Function	Description	Navy Type Number	Navy Spec. or Drawing Number	Mfr.	Mfr. Desig.	Special Tol. Rating or Modification	Contractor's Drawing and Part Number	Equip.		Tender		All Symbol Designations Involved	
										Box Number	Quantity	Box Number	Quantity		Stock
	RANGE SCOPE CAY-55AFB (Continued)														
	O-6011	Not Used													
	O-6012	Clip	Spring Clip			1			M-7412152 P1	0	6	4	4	O-6012	
	O-6013	Spring	Spring Washer.			1	S# 520-225		T-7611978 P23	0	6	2	2	O-6013	
	O-6014	Spring	Spring Washer.			1			M-7408221 P11	0	6	1	1	O-6014	
	O-6015	Washer	Stop Washer.			1			K-7813435 P1	0	6	20	20	O-6015	
	O-6016	Plate	Stop Plate.			1			K-7813450 P1	0	6	1	1	O-6016	
	O-6017	Washer	Stop Washer Assembly.			1			K-7813437 G1	0	6	1	1	O-6017	
	O-6018	Sleeve Assembly	Drive Knob Detent.			1			M-7411146 G1	0	6	1	1	O-6018	
	O-6019	Not Used													
	O-6020	Not Used													
	O-6021	Counter	Veeder Counter.			1			M-7410359 P1	0	6	1	1	O-6021	
	O-6022	Counter	Veeder Counter.			1			M-7410359 P2	0	6	1	1	O-6022	
	R-601	Resistor—Voltage Divider	220,000 Ohms $\pm 5\%$, 1 Watt, Composition.	-63291-224	RE13A-340C	46	S1-1 GB-2245		T-7610948 P126	7	1	6	3	5	R-601, R-656
	R-602	Resistor—Grid	100,000 Ohms $\pm 5\%$, 1 Watt, Composition.	-63291-104	RE13A-340C	46	S1-1 GB-1045		T-7610948 P127	7	6	6	17	28	R-602, R-621, R-675, R-676, R-6001, R-6010 R-6012 to R-6016
	R-603	Resistor—Voltage Divider	3900 Ohms $\pm 5\%$, 1 Watt, Composition.	-63291-392	RE13A-340C	46	S1-1 GB-3925		T-7610948 P128	7	2	6	5	8	R-603, R-608, R-686

8-92

ORIGINAL

SECTION 8

NAVSHPIS 900,946

PARTS AND SPARE PARTS LIST

ORIGINAL

R-604	Resistor—Cathode Bias	82,000 Ohms $\pm 5\%$, 1 Watt, Composition.	-63291-823	RE13A-340C	46 11	S1-1 GB-8235	T-7610948 P129	7	4	6	11	18	R-604, R-663, R-6028, R-6030, R-6031, R-667, R-6035
R-605	Resistor—Plate Load	51,000 Ohms $\pm 5\%$, 1 Watt, Composition.	-63291-513	RE13A-340C	46 11	S1-1 GB-5135	T-7610948 P130	7	1	6	2	3	R-605
R-606	Resistor—Video Plate Load	15,000 Ohms $\pm 5\%$, 1 Watt, Composition.	-63291-153	RE13A-340C	46 11	S1-1 GB-1535	T-7610948 P131	7	4	6	12	20	R-606, R-637, R-660, R-666, R-689, R-694, R-6023, R-6024
R-607	Resistor—Plate Load	12,000 Ohms $\pm 5\%$, 1 Watt, Composition.	-63291-123	RE13A-340C	46 11	S1-1 GB-1235	T-7610948 P132	7	1	6	2	3	R-607
R-608	Resistor—Cathode Bias	Same as R-603.	-63291-392										
R-609	Resistor—Voltage Dividing	33,000 Ohms $\pm 5\%$, 1 Watt, Composition.	-63291-333	RE13A-340C	46 11	S1-1 GB-3335	T-7610948 P134	7	3	6	8	13	R-609, R-610, R-644, R-659, R-696
R-610	Resistor—Screen Voltage Dropping	Same as R-609.	-63291-333										
R-611	Resistor—Gate Length	1.0 Megohms $\pm 5\%$, 1 Watt, Composition.	-63291-105	RE13A-340C	46 11	S1-1 GB-1055	T-7610948 P136	7	3	6	9	15	R-611, R-625, R-636, R-639, R-641, R-684
R-612	Resistor—Gate Length	510,000 Ohms $\pm 5\%$, 1 Watt, Composition.	-63291-514	RE13A-340C	46 11	S1-1 GB-5145	T-7610948 P137	7	2	6	6	10	R-612, R-640, R-670, R-6033
R-613	Resistor—Gate Length	120,000 Ohms $\pm 5\%$, 1 Watt, Composition.	-63291-124	RE13A-340C	46 11	S1-1 GB-1245	T-7610948 P138	7	2	6	5	8	R-613, R-646, R-647
R-614	Resistor—Gate Length	47,000 Ohms $\pm 5\%$, 1 Watt, Composition.	-63291-473	RE13A-340C	46 11	S1-1 GB-4735	T-7610948 P139	7	3	6	9	15	R-614, R-630, R-657, R-681, R-685, R-687
R-615	Resistor—Marker B + Dropping	4000 Ohms $\pm 5\%$, 15 Watts, Style F, Grade 1, Class 1.	-631025F	RE13A-372J	16		M-7409805 P37	7	3	6	8	13	R-615, R-631, R-6007, R-6008, R-6009
R-616	Resistor—Blanking Height	2200 Ohms $\pm 5\%$, 1 Watt, Composition.	-63291-222	RE13A-340C	46 11	S1-1 GB-2225	T-7610948 P141	7	1	6	3	5	R-616, R-691
R-617	Resistor—Blanking Height	820 Ohms $\pm 5\%$, 1 Watt, Composition.	-63291-821	RE13A-340D	46 11	S1-1 GB-8215	T-7610948 P142	7	1	6	3	5	R-617, R-665

PARTS AND SPARE PARTS LIST

NAVSHIPS 900,946

SECTION 8

8-93

TABLE 8-2 (Continued)

COMBINED PARTS AND SPARE PARTS LIST BY SYMBOL DESIGNATION

FOR NAVY MODELS SR AND SR-a RADAR EQUIPMENTS

See Notes	Symbol Desig.	Function	Description	Navy Type Number.	Navy Spec. or Drawing Number	Mfr.	Mfr. Desig.	Special Tol. Rating or Modification	Contractor's Drawing and Part Number	Equip.		Tender		All Symbol Designations Involved	
										Box Number	Quantity	Box Number	Quantity		Stock
	RANGE SCOPE CAY-55AFB (Continued)														
	R-618	Resistor—Blanking Height	180 Ohms $\pm 5\%$, 1 Watt, Composition.	-63291-181	RE13A-340C	46 11	S1-1 GB-1815		T-7610948 P143	7	1	6	3	5	R-618, R-6025
	R-619	Resistor—Blanking Height	1000 Ohms $\pm 5\%$, 1 Watt, Composition.	-63291-102	RE13A-340C	46 11	S1-1 GB-1025		T-7610948 P144	7	2	6	6	10	R-619, R-680, R-6005, R-6032
	R-620	Resistor—Voltage Dividing	24,000 Ohms $\pm 5\%$, 1 Watt, Composition.	-63291-243		46 11	S1-1 GB-2435		T-7610949 P145	7	2	6	5	8	R-620, R-677, R-6011
	R-621	Resistor—Screen Voltage Dropping	Same as R-602.	-63291-104											
	R-622	Resistor—Voltage Divider	5100 Ohms $\pm 5\%$, 1 Watt, Composition.	-63291-512	RE13A-340C	46 11	S1-1 GB-5125		T-7610949 P147	7	3	6	8	13	R-622, R-638, R-6020, R-6021, R-6022
	R-623	Resistor—Screen Voltage Dropping	5600 Ohms $\pm 5\%$, 1 Watt, Composition.	-63291-562	RE13A-340C	46 11	S1-1 GB-5625		T-7610949 P148	7	1	6	3	5	R-623, R-688,
	R-624	Resistor—Cathode Bias	10,000 Ohms $\pm 5\%$, 1 Watt, Composition.	-63291-103	RE13A-340C	46 11	S1-1 GB-1035		T-7610949 P149	7	3	6	8	13	R-624, R-699, R-6017, R-6018, R-6019
	R-625	Resistor—Phantatron Current Limiter	Same as R-611.	-63291-105											
	R-626	Not Used													
	R-627	Resistor—Phantatron Slope	200,000 Ohms Potentiometer.	-632636-10		11	Type J		M-7411468 P1	7	2	6	9	15	R-627, R-628, R-6037
	R-628	Resistor—Phantatron Slope	Same as R-627.	-632636-10											
	R-629	Resistor—Grid	820,000 Ohms $\pm 5\%$, 1 Watt, Composition.	-63291-824	RE13A-340C	11	GB-8245		T-7610949 P154	7	1	6	2	3	R-629

ORIGINAL

R-630	Resistor— Cathode Bias	Same as R-614.	-63291-473																			
R-631	Resistor— Voltage Divider	Same as R-615.	-631025F																			
R-632	Resistor—Step Control	20,000 Ohms Potentiometer.	-633216	1	GR-4- 33AC	T-7610949 P157	7	1	5	3	5									R-632		
R-633	Resistor— Voltage Divider	3150 Ohms \pm 5%, Style F, Grade 1, Class 1, 15 Watts.	-631024F	16		M-7409805 P36	7	1	6	2	3										R-633	
R-634A	Resistor—Bias Control	3000 Ohms, Dual Potentiometer.	-634726-10	11	Type JJ	T-7611594 P6	7	1	6	6	10										R-634A, R-634B, R-635A, R-635B	
R-634B	Resistor—Bias Control	Part of R-634A.																				
R-635A	Resistor—Bias Control	Same as R-634A.	-634726-10																			
R-635B	Resistor—Bias Control	Part of R-635A.																				
R-636	Resistor—Grid	Same as R-611.	-63291-105																			
R-637	Resistor—Plate Load	Same as R-606.	-63291-153																			
R-638	Resistor—Screen Voltage Dropping	Same as R-622.	-63291-512																			
R-639	Resistor— Deflection Plate	Same as R-611.	-63291-105																			
R-640	Resistor— Intensity Grid	Same as R-612.	-63291-514																			
R-641	Resistor— Deflection Plate	Same as R-611.	-63291-105																			
R-642A	Resistor—Vertical Centering Control	510,000 Ohms Dual Pot.	-634729-10	11	Type JJ	M-7411468 P4	7	1	6	3	5										R-642A, R-642B	
R-642B	Resistor—Vertical Centering Control	Part of R-642A.																				
R-643	Resistor— Voltage Dropping	2000 Ohms \pm 5%, Style F, Grade 1, Class 1, 15 Watts.	-63411F	16	RE13A- 372J	M-7409805 P34	7	1	6	2	3											R-643
R-644	Resistor—Screen Voltage Dropping	Same as R-609.	-63291-333																			

PARTS AND SPARE PARTS LIST

NAVSHIPS 900,946

SECTION 8

8-95

TABLE 8-2 (Continued)

COMBINED PARTS AND SPARE PARTS LIST BY SYMBOL DESIGNATION

FOR NAVY MODELS SR AND SR-a RADAR EQUIPMENTS

See Notes	Symbol Design.	Function	Description	Navy Type Number	Navy Spec. or Drawing Number	Mfr.	Mfr. Desig.	Special Tol. Rating or Modification	Contractor's Drawing and Part Number	Equip.		Tender		All Symbol Designations Involved	
										Box Number	Quantity	Box Number	Quantity		
	RANGE SCOPE CAY-55AFB (Continued)														
	R-645	Resistor—Focus Balance	510,000 Ohms, Pot.	-634733-10		11	Type J		M-7411468 P6	7	1	6	3	5	R-645
	R-646	Resistor—Neon Bulb Series	Same as R-613.	-63291-124											
	R-647	Resistor—Neon Bulb Series	Same as R-613.	-63291-124											
	R-648	Resistor—H.V. Divider	22,000 Ohms \pm 5%, 1 Watt, Composition.	-63291-223	RE13A-340C	46 11	S1-1 GB-2235		T-7610949 P173	7	1	6	2	3	R-648
	R-649	Resistor—H.V. Divider	240,000 Ohms \pm 5%, 1 Watt, Composition.	-63291-244	RE13A-340C	46 11	S1-1 GB-2445		T-7610949 P174	7	4	6	12	20	R-649 to R-654, R-6006, R-6027
	R-650	Resistor—H.V. Divider	Same as R-649.	-63291-244											
	R-651	Resistor—H.V. Divider	Same as R-649.	-63291-244											
	R-652	Resistor—H.V. Divider	Same as R-649.	-63291-244											
	R-653	Resistor—C.R. Bias Divider	Same as R-649.	-63291-244											
	R-654	Resistor—C.R. Bias Divider	Same as R-649.	-63291-244											
	R-655	Resistor—Focus Control	200,000 Ohms Potentiometer.	-634746-10		11	Type J		M-7411468 P18	7	1	6	6	10	R-655, R-671
	R-656	Resistor—C.R. Bias	Same as R-601.	-63291-224											
	R-657	Resistor—H.V. Filter	Same as R-614.	-63291-473											

ORIGINAL

R-658	Resistor—Intensity Control	100,000 Ohms Potentiometer.	-632721-10		11	Type J	M-7411468 P3	7	1	6	3	5	R-658
R-659	Resistor—Screen Voltage Dropping	Same as R-609.	-63291-333										
R-660	Resistor—Video Plate	Same as R-606.	-63291-153										
R-661	Resistor—Cathode Bias	100 Ohms $\pm 5\%$, 1 Watt, Composition.	-63291-101	RE13A-340C	46 11	S1-1 GB-1015	T-7610949 P186	7	1	6	2	3	R-661
R-662	Resistor—Grid	390,000 Ohms $\pm 5\%$, 1 Watt, Composition.	-63291-394	RE13A-340C	46 11	S1-1 GB-3945	T-7610949 P187	7	1	6	2	3	R-662
R-663	Resistor—Plate Voltage Dropping	Same as R-604.	-63291-823										
R-664	Resistor—Divider	300,000 Ohms $\pm 5\%$, 1 Watt, Composition.	-63291-304	RE13A-340C	46 11	S1-1 GB-3045	T-7610949 P189	7	1	6	3	5	R-664, R-6003
R-665	Resistor—Plate	Same as R-617.	-63291-821										
R-666	Resistor—Video Plate	Same as R-606.	-63291-153										
R-667	Resistor—Screen Bleeder	Same as R-604.	-63291-823										
R-668	Resistor—Screen Bleeder	20,000 Ohms $\pm 5\%$, 1 Watt, Composition.	-63291-203	RE13A-340C	46 11	S1-1 GB-2035	T-7610949 P193	7	1	6	2	3	R-668
R-669	Resistor—I.F.F. Line Terminating	68 Ohms $\pm 5\%$, 1 Watt, Composition.	-63291-680	RE13A-340C	46 11	S1-1 GB-6805	T-7610949 P194	7	1	6	3	5	R-669, R-678
R-670	Resistor—Grid Leak	Same as R-612.	-63291-514										
R-671	Resistor—Sweeper Length Control	Same as R-655.	-634746-10										
R-672	Resistor—Cathode Bias	220 Ohms $\pm 5\%$, 1 Watt, Composition.	-63291-221	RE13A-340C	46 11	S1-1 GB-2215	T-7610949 P197	7	1	6	2	3	R-672
R-673	Resistor—Cathode Bias	4700 Ohms $\pm 5\%$, 1 Watt, Composition.	-63291-472	RE13A-340C	46 11	S1-1 GB-4725	T-7610949 P198	7	2	6	5	8	R-673, R-674 R-682

PARTS AND SPARE PARTS LIST

NAVSHIPS 900,946

SECTION 8

8-97

TABLE 8-2 (Continued)

COMBINED PARTS AND SPARE PARTS LIST BY SYMBOL DESIGNATION

FOR NAVY MODELS SR AND SR-a RADAR EQUIPMENTS

See Notes	Symbol Desig.	Function	Description	Navy Type Number	Navy Spec. or Drawing Number	Mfr.	Mfr. Desig.	Special Tol. Rating or Modification	Contractor's Drawing and Part Number	Equip.		Tender		All Symbol Designations Involved
										Box Number	Quantity	Box Number	Quantity	
RANGE SCOPE CAY-55AFB (Continued)														
	R-674	Resistor—Cathode Bias	Same as R-673.	-63291-472										
	R-675	Resistor—Bias	Same as R-602.	-63291-104										
	R-676	Resistor—Bias	Same as R-602.	-63291-104										
	R-677	Resistor—Plate Coupling	Same as R-620.	-63291-243										
	R-678	Resistor—Marker Pulse Output	Same as R-669.	-63291-680										
	R-679	Resistor—Cathode Bias	3300 Ohms $\pm 5\%$, 1 Watt, Composition.	-63291-332	RE13A-340C	46 11	S1-1 GB-3325		T-7610949 P204	7	1	6	3	5 R-679, R-692
	R-680	Resistor—Cathode Bias	Same as R-619.	-63291-102										
	R-681	Resistor—Plate Load	Same as R-614.	-63291-473										
	R-682	Resistor—Choke Damping	Same as R-673.	-63291-472										
	R-683	Resistor—Cathode Bias	2700 Ohms $\pm 5\%$, 1 Watt, Composition.	-63291-272	RE13A-340C	46 11	S1-1 GB-2725		T-7610949 P208	7	1	6	2	3 R-683
	R-684	Resistor—Grid	Same as R-611.	-63291-105										
	R-685	Resistor—Plate Load	Same as R-614.	-63291-473										
	R-686	Resistor—Cathode Bias	Same as R-603.	-63291-392										
	R-687	Resistor—Cathode Bias	Same as R-614.	-63291-473										

ORIGINAL

R-688	Resistor—Plate Load	Same as R-623.	-63291-562																	
R-689	Resistor—Plate Load	Same as R-606.	-63291-153																	
R-690	Resistor—Cathode Bias	470 Ohms $\pm 5\%$, 1 Watt, Composition.	-63291-471	RE13A-340C	46 11	S1-1 GB-4715	T-7610949 P215	7	1	6	2	3	R-690							
R-691	Resistor—Cathode Bias	Same as R-616.	-63291-222																	
R-692	Resistor—Plate Load	Same as R-679.	-63291-332																	
R-693	Resistor—Grid Bias	330,000 Ohms.	-63291-334	RE13A-340C	46 11	S1-1 GB-3345	T-7610950 P218	7	1	6	2	3	R-693							
R-694	Resistor—Video Plate Load	Same as R-606.	-63291-153																	
R-695	Resistor—Horiz. Centering Control	2000 Ohms, Potentiometer.	-634750-10		11	Type J	M-7411468 P14	7	1	6	3	5	R-695							
R-696	Resistor—Screen Dropping	Same as R-609.	-63291-333																	
R-697	Resistor—Grid	2.2 Megohms $\pm 5\%$, 1 Watt, Composition.	-63291-225	RE13A-340C	11	GB-2255	T-7610950 P222	7	1	6	2	3	R-697							
R-698	Resistor—Plate Load	.2 Meg. $\pm 5\%$, 1 Watt, Composition.	-63291-204	RE13A-340C	46 11	S1-1 GB-2045	T-7610950 P223	7	1	6	2	3	R-698							
R-699	Resistor—Plate Load	Same as R-624.	-63291-103																	
R-6000	Resistor—Plate Load	180,000 Ohms $\pm 5\%$, 1 Watt, Composition.	-63291-184	RE13A-340C	46 11	S1-1 GB-1845	T-7610950 P225	7	1	6	2	3	R-6000							
R-6001	Resistor—Sweep Cathode Bias	Same as R-602.	-63291-104																	
R-6002	Resistor—Plate Load	68,000 Ohms $\pm 5\%$, 1 Watt, Composition.	-63291-683	RE13A-340C	46 11	S1-1 GB-6835	T-7610950 P227	7	1	6	2	3	R-6002							
R-6003	Resistor—Plate Load	Same as R-664.	-63291-304																	
R-6004	Resistor—Grid Biasing	.36 Meg. $\pm 5\%$, 1 Watt, Composition.	-63291-364	RE13A-340C	46 11	S1-1 GB-3645	T-7610950 P229	7	1	6	2	3	R-6004							

PARTS AND SPARE PARTS LIST

NAVSHPIS 900,946

SECTION 8

TABLE 8-2 (Continued)

COMBINED PARTS AND SPARE PARTS LIST BY SYMBOL DESIGNATION

FOR NAVY MODELS SR AND SR-a RADAR EQUIPMENTS

See Notes	Symbol Desig.	Function	Description	Navy Type Number	Navy Spec. or Drawing Number	Mfr.	Mfr. Desig.	Special Tol. Rating or Modification	Contractor's Drawing and Part Number	Equip.		Tender		All Symbol Designations Involved
										Box Number	Quantity	Box Number	Quantity	
	RANGE SCOPE CAY-55AFB (Continued)													
	R-6005	Resistor—Cathode Bias	Same as R-619.	-63291-102										
	R-6006	Resistor—C.R. Tube Cathode Filter	Same as R-649.	-63291-244										
	R-6007	Resistor—Phantatron Voltage Divider	Same as R-615.	-631025F										
	R-6008	Resistor Phantatron Voltage Divider	Same as R-615.	-631025F										
	R-6009	Resistor—Marker B + Dropping	Same as R-615.	-631025F										
	R-6010	Resistor—Sweep Cathode Bias	Same as R-602.	-63291-104										
	R-6011	Resistor—Voltage Dividing	Same as R-620.	-63291-243										
	R-6012	Resistor—Voltage Dividing	Same as R-602.	-63291-104										
	R-6013	Resistor—Voltage Dividing	Same as R-602.	-63291-104										
	R-6014	Resistor—Voltage Dividing	Same as R-602.	-63291-104										
	R-6015	Resistor—Voltage Dividing	Same as R-602.	-63291-104										
	R-6016	Resistor—Voltage Dividing	Same as R-602.	-63291-104										

ORIGINAL

R-6017	Resistor—Sweep Output Plate	Same as R-624.	-63291-103																	
R-6018	Resistor—Sweep Output Plate	Same as R-624.	-63291-103																	
R-6019	Resistor—Sweep Output Plate	Same as R-624.	-63291-103																	
R-6020	Resistor—Screen Voltage Dropping	Same as R-622.	-63291-512																	
R-6021	Resistor—Screen Voltage Dropping	Same as R-622.	-63291-512																	
R-6022	Resistor—Screen Voltage Dropping	Same as R-622.	-63291-512																	
R-6023	Resistor—Video Plate Load	Same as R-606.	-63291-153																	
R-6024	Resistor—Video Plate Load	Same as R-606.	-63291-153																	
R-6025	Resistor—Video Marker Feeder	Same as R-618.	-63291-181																	
R-6026	Resistor—I.F.F. Line Adjust	10,000 Ohms, Potentiometer.	-634728-10	11	Type J		T-7611594 P5	7	1	6	3	5	R-6026							
R-6027	Resistor—H.V. Bleeder	Same as R-649.	-63291-244																	
R-6028	Resistor—Video Decoupling	Same as R-604.	-63291-823																	
R-6029	Resistor—Cathode Bias	560 Ohms $\pm 5\%$, 1 Watt, Composition.	-63291-561	RE13A-46 340C 11	S1-1 GB-5615		T-7611696 P301	7	1	6	2	3	R-6029							
R-6030	Resistor—Video Decoupling	Same as R-604.	-63291-823																	
R-6031	Resistor—Video Decoupling	Same as R-604.	-63291-823																	
R-6032	Resistor—Voltage Divider	Same as R-619.	-63291-102																	
R-6033	Resistor—Grid Leak	Same as R-612.	-63291-514																	
R-6034	Not Used																			
R-6035	Resistor—Screen Bleeder	Same as R-604.	-63291-823																	

PARTS AND SPARE PARTS LIST

NAVSHIPS 900,946

SECTION 8

8-101

TABLE 8-2 (Continued)

COMBINED PARTS AND SPARE PARTS LIST BY SYMBOL DESIGNATION

FOR NAVY MODELS SR AND SR-a RADAR EQUIPMENTS

See Notes	Symbol Desig.	Function	Description	Navy Type Number	Navy Spec. or Drawing Number	Mfr.	Mfr. Desig.	Special Tol. Rating or Modification	Contractor's Drawing and Part Number	Equip.		Tender		All Symbol Designations Involved	
										Box Number	Quantity	Box Number	Quantity		Stock
	RANGE SCOPE CAY-55AFB (Continued)														
	R-6036	Resistor—Grid	180,000 Ohms ± 5%, 1 Watt, Composition.	-63291-184	RE13A-340C	46	S1-1		T-7611696 P309	7	1	6	2	3	R-6036
	R-6037	Resistor—Phanatron Slope	Same as R-627.	-632636-10											
	S-600	Range Switch	2 P., 4 T., 5 Deck.			34			P-7710796 P1	7	1	6	1	1	S-600
	S-601	Step Switch	S.P.D.T.	-24237		13	B-RL2		T-7610950 P235	7	1	6	1	1	S-601
	S-602	Marker Switch	S.P.D.T.	-24026	RE24AA-118A	10			T-7610950 P236	7	1	6	1	1	S-602
	T-600	L.V. Power Transformer	143 Va., 60 Cycle, Pri: 115 Volts; Secondary: 770 V., 150 Ma. Ct., 5 Volts, 3 Amps., C.T., 6.3 Volts, 6.5 Amps.	-301165	RE13A-553B	1	R-1318		T-7610950 P238	7	1	5	2	3	T-600
	T-601	H.V. Power Transformer	40 Va., 60 Cycle, Pri: 115 Volts; Secondary: 2790 Volts, 0.3 Ma., 2.5 Volts, 3 Amps., 6.3 Volts, .6 Amp., 6.3 Volts, .6 Amp.	-303501	RE13A-553B	1	R-1313		T-7610950 P239	7	1	5	2	3	T-601
	T-602	Blocking Osc. Transformer	Marker Output.	-303504		1	R-1396		T-7610950 P240	7	1	6	2	3	T-602
	V-600	Synchronizing Pulse Amplifier and Sweep Return	Twin Triode Amplifier, Octal Base, Heater—0.6 Amp. at 6.3 Volts.	-6SN7GT	Jan. 1 Latest Supplement	6	6SN-7GT		T-7611042 P73	14	14	24	21	0	V-600, V-603, V-606, V-607, V-610, V-611, V-612
	V-601	Gate Tube	Video Power Amplifier Pentode, Single Ended Metal Type, Small Wafer Octal, 8 Pin Socket. Heater—0.65 Amp. at 6.3 Volts A.C.	-6AG7	Jan. 1 Latest Supplement	6	6AG7		T-7611042 P74	14	6	24	9	0	V-601, V-604, V-608

ORIGINAL

V-602	Phantastron Delay	Pentagrid Converter, Small Wafer Octal, 8 Pin Base. Heater—6.3 Volts, 0.3 Amp.	6SA7	Jan. 1 Latest Supplement	6	6SA7	T-7611042 P75	14	2	24	3	0	V-602
V-603	Phantastron Load	Same as V-600.	-6SN7GT										
V-604	Step Amplifier	Same as V-601.	-6AG7										
† V-605	Cathode Ray Tube	High Vacuum C.R. Tube, Electrostatic Focusing and Deflection 5 1/4" Bulb Dia., 16 3/4" Overall Length, Diheptal 12-Pin Base. Heater—6.3 Volts, 0.6 Amp.	-5CP7	Jan. 1 Latest Supplement	6	5CP7	T-7611042 P78	14	2	24	3	0	V-605
V-606	Sweep and Gate Tube	Same as V-600.	-6SN7GT										
V-607	Sweep Amplifier	Same as V-600.	-6SN7GT										
V-608	Video Amplifier	Same as V-601.	-6AG7										
V-609	Low Voltage Rectifier	Full Wave, High Vacuum Rectifier Med. Shell, Octal 5-Pin Base. Heater—3.0 Amps. at 5.0 Volts A.C.	-5U4G	Jan. 1 Latest Supplement	6	5U4G	T-7611042 P82	14	2	24	3	0	V-609
V-610	Marker Oscillator	Same as V-600.	-6SN7GT										
V-611	Shaper Tube	Same as V-600.	-6SN7GT										
V-612	Marker Output	Same as V-600.	-6SN7GT										
V-613	Video Mixer Tube	Television Amplifier Pentode, Single Ended Metal Type, Small Wafer Octal, 8-Pin Socket Heater—0.45 Amp. at 6.3 Volts A.C.	-6AC7	Jan. 1 Latest Supplement	6	6AC7	T-7611042 P86	14	2	24	3	0	V-613
V-614	H.V. Rectifier	H.V. Half Wave Rectifier, Medium 4 Pin Phenolic Base, Small Metal Cap. 20 K.V. Plate Volts Thoriated Tungsten Filament 2.5 Volts, 3.0 Amps.	-RKR-72	Jan. 1 Latest Supplement	32	RKR-72	T-7611042 P87	14	2	24	3	0	V-614
X-600	Socket for V-600	Octal.	-49374	RE49AA-312A	36 18	9661 MIP-8TM	T-7610950 P266	7	7	6	7	13	X-600 to X-604 X-606 to X-613
X-601	Socket for V-601	Same as X-600.	-49374										
X-602	Socket for V-602	Same as X-600.	-49374										

† A type 5CP1 is to be used on units serials 201 and up.

PARTS AND SPARE PARTS LIST

NAVSHIPS 900,946

SECTION 8

8-103

TABLE 8-2 (Continued)

COMBINED PARTS AND SPARE PARTS LIST BY SYMBOL DESIGNATION

FOR NAVY MODELS SR AND SR-a RADAR EQUIPMENTS

See Notes	Symbol Desig.	Function	Description	Navy Type Number	Navy Spec. or Drawing Number	Mfr.	Mfr. Desig.	Special Tol. Rating or Modification	Contractor's Drawing and Part Number	Equip.		Tender		All Symbol Designations Involved
										Box Number	Quantity	Box Number	Quantity	
RANGE SCOPE CAY-55AFB (Continued)														
	X-603	Socket for V-603	Same as X-600.	-49374										
	X-604	Socket for V-604	Same as X-600.	-49374										
	X-605	Socket for V-605	14 Pin Diheptal.	-49438	RE49AA-312A	36	#9450		T-7610950 P271	7	1	6	1	X-605
	X-606	Socket for V-606	Same as X-600.	-49374										
	X-607	Socket for V-607	Same as X-600.	-49374										
	X-608	Socket for V-608	Same as X-600.	-49374										
	X-609	Socket for V-609	Same as X-600.	-49374										
	X-610	Socket for V-610	Same as X-600.	-49374										
	X-611	Socket for V-611	Same as X-600.	-49374										
	X-612	Socket for V-612	Same as X-600.	-49374										
	X-613	Socket for V-613	Same as X-600.	-49374										
	X-614	Socket for V-614	4 Prong.	-49368		18			T-7610950 P279	7	1	6	1	X-614
CONSOLE RECEIVER CAY-46ADH														
	C-701	Capacitor—Rej. Filter 1	15 MMF. $\pm 2\frac{1}{2}\%$, 500 V.D.C.W., Ceramic.	-481860-2 $\frac{1}{2}$		62	Class D	Zero Temp. Coeff.	T-7610882 P1	7	Δ	Δ	Δ	C-701, C-702, C-703, C-704
	C-702	Capacitor—Rej. Filter 1	Same as C-701.	-481860-2 $\frac{1}{2}$										
	C-703	Capacitor—Rej. Filter 2	Same as C-701.	-481860-2 $\frac{1}{2}$										

8-104

ORIGINAL

SECTION 8

NAVSHIPS 900,946

PARTS AND SPARE PARTS LIST

TABLE 8-2 (Continued)

COMBINED PARTS AND SPARE PARTS LIST BY SYMBOL DESIGNATION

FOR NAVY MODELS SR AND SR-a RADAR EQUIPMENTS

See Notes	Symbol Designation	Function	Description	Navy Type Number	Navy Spec. or Drawing Number	Mfr.	Mfr. Desig.	Special Tol. Rating or Modification	Contractor's Drawing and Part Number	Equip.		Tender		All Symbol Designations Involved	
										Box Number	Quantity	Box Number	Quantity		Stock
	CONSOLE RECEIVER CAY-46ADH (Continued)														
	C-717	Capacitor—Padding, 2nd I.F. Plate Coil	39 MMF. $\pm 5\%$, 500 V.D.C.W., Ceramic.	-483976-5		62	Class D	Zero Temp. Coeff.	T-7610882 P17	7	1	22	1	1	C-717
	C-718	Capacitor—Filter, 3rd I.F. Plate	Same as C-706.	CM35C-822K											
	C-719	Capacitor—Filter, 4th I.F. Grid	220 MMF. $\pm 10\%$, 500 V.D.C.W., Mica.	CM20C-221K	JAN-C-5	20	CM20-C221K		T-7610882 P19	7	1	22	1	2	C-719, C-724
	C-720	Capacitor—By-Pass, 4th I.F. Cathode	Same as C-714.	CM30C-222K											
	C-721	Capacitor—By-Pass, 4th I.F. Screen	Same as C-705.	CM20C-102K											
	C-722	Not Used													
	C-723	Capacitor—Filter, 4th I.F. Plate	Same as C-706.	CM35C-822K											
	C-724	Capacitor—Filter, 5th I.F. Grid	Same as C-719.	CM20C-221K											
	C-725	Capacitor—By-Pass, 5th I.F. Cathode	Same as C-714.	CM30C-222K											
	C-726	Capacitor—By-Pass, A.V.C. Screen	0.5 MFD., 600 V.D.C.W., Paper.	-481927-10	RE13A-488	39	XKMR-6-5-310BW		T-7610882 P26	7	3	22	8	13	C-726, C-735, C-738, C-739, C-741
	C-727	Capacitor—Time Constant, A.V.C.	1.0 MFD., 600 V.D.C.W., Paper.	-481928-5	RE13A-488	39	XKMR-6-1-58-W		T-7610882 P27	7	1	22	3	5	C-727, C-746

ORIGINAL

C-728	Capacitor—Time Constant, A.V.C.	0.05 MFD., 600 V.D.C.W., Paper.	-483968-10*	RE13A-488	39 47	XKMR-6-05-58W	T-7610882 P28	7	1	22	2	3	C-728
C-729	Capacitor—By-Pass, 5th I.F. Screen	Same as C-705.	CM20C-102K										
C-730	Capacitor—By-Pass, A.V.C. Grid	47 MMF. \approx 10%, 500 V.D.C.W., Mica.	CM20C-470K		47	CM20-C470K	T-7610882 P30	7	1	22	1	1	C-730
C-731	Capacitor—By-Pass, 5th I.F. Plate	Same as C-706.	CM35C-822K										
C-732	Capacitor—Load Filter, Detector Diode	10 MMF. \approx 10%, 500 V.D.C.W., Ceramic.	-481886-10		8	NPOK-10	T-7610882 P32	7	Δ	22	Δ	Δ	C-732, C-737
C-733	Capacitor—Coupling to V-710	Same as C-706.	CM35C-822K										
C-734	Capacitor—By-Pass, Jamming Indicator	Same as C-706.	CM35C-822K										
C-735	Capacitor—By-Pass, Balanced Video Screen	Same as C-726.	-481927										
C-736	Not Used												
C-737	Capacitor—Filter, Detector Diode Load	Same as C-732.	-481886-10					7	Δ	22	Δ	Δ	
C-738	Capacitor—By-Pass, Balanced Video Cathode	Same as C-726.	-481927										
C-739	Capacitor—By-Pass, Balanced Video Screen	Same as C-726.	-481927										
C-740	Not Used												
C-741	Capacitor—By-Pass B + Supply	Same as C-726.	-481927										
C-742	Not Used												

 Δ Supplied in spare sub-assemblies.

* For replacement use.

PARTS AND SPARE PARTS LIST

NAVSHIPS 900,946

SECTION 8

8-107

TABLE 8-2 (Continued)

COMBINED PARTS AND SPARE PARTS LIST BY SYMBOL DESIGNATION

FOR NAVY MODELS SR AND SR-a RADAR EQUIPMENTS

See Notes	Symbol Desig.	Function	Description	Navy Type Number	Navy Spec. or Drawing Number	Mfr.	Mfr. Desig.	Special Tol. Rating or Modification	Contractor's Drawing and Part Number	Equip.		Tender		All Symbol Designations Involved	
										Box Number	Quantity	Box Number	Quantity		Stock
CONSOLE RECEIVER CAY-46ADH (Continued)															
	C-743	Capacitor—Coupling, Video Limiter Grid	Same as C-706.	CM35C-822K											
	C-744	Capacitor—Filter, B + Supply	10 MFD., ±10%, 600 V.D.C.W., Paper.	-482533-10	RE13A-488	1	S# 131-8745		T-7610882 P44	7	2	22	6	10	C-744, C-745, C-747, C-753,
	C-745	Capacitor—Filter, B + Supply	Same as C-744.	-482533-10											
	C-746	Capacitor—By-Pass Bias Supply	Same as C-727.	-481928-5											
	C-747	Capacitor—Filter, B + Supply.	Same as C-744.	-482533-10											
	C-748	Not Used.													
	C-749	Capacitor—Coupling, Video Amp. Grids	Same as C-706.	CM35C-822K											
	C-750	Capacitor—Coupling, Video Output Grids	Same as C-706.	CM35C-822K											
	C-751	Capacitor—Peaking, High Frequency Compensation	Same as C-705.	CM20C-102K											
	C-752	Capacitor—Coupling, Balanced Video	Same as C-706.	CM35C-822K											
	C-753	Capacitor—Filter, B + Supply.	Same as C-744.	-482533-10											

ORIGINAL

C-754	Capacitor—By-Pass 1st I.F. Filament	Same as C-706.	CM35C-822K																	
C-755	Capacitor—By-Pass 2nd I.F. Filament	Same as C-706.	CM35C-822K																	
C-756	Capacitor—By-Pass 5th I.F. Filament	Same as C-706.	CM35C-822K																	
C-757	Capacitor—Filter B + Supply	1 MFD., 500 V.D.C. Working, Paper	-48553-10	RE13A-488C	7	9CE-6A4	T-7610882 P57	7	1	22	2	3	C-757							
E-701	Terminal Board	Case Connection.			21	# 12-142	T-7613072 P1	0	22	1	2	E-701, E-702								
E-701A	Marking Strip	For E-701.			1		M-7414589 P1	0	22	1	1	E-701A								
E-702	Terminal Block	Same as E-701.																		
E-702A	Marking Strip	For E-702.			1		M-7414590 P1	0	22	1	1	E-702A								
E-703	Terminal Block				21	#9-142	T-7613072 P5	0	22	1	1	E-703								
E-703A	Marking Strip	For E-703.			1		M-7415640 P1	0	22	1	1	E-703A								
E-704 to E-707	Not Used																			
E-708	Insulator	Stand-Off Phenolic.			1		P-7708566 G3	7	4	22	8	16	E-708							
E-709	Not Used																			
E-710	Insulator	Bushing.			1		M-7407320 P4	7	2	22	4	8	E-710							
E-711	Insulator	Stand-Off, Phenolic.	-61583		1		K-7817413 P1	7	1	22	1	2	E-711							
E-712	Insulator	Stand-Off, Phenolic.	-61584		1		K-7817413 P2	7	1	22	1	2	E-712							
E-713	Knob	Potentiometer.			1		P-7708220 P2	0	22	3	5	E-713								
E-714	Knob	Potentiometer.			1		P-7708220 P1	0	22	1	2	E-714								
F-701A	Fuse	2 Amps., 250 Volts.	-28032-2		4	ACM-2	T-7610882 P63	7	20	22	40	100	F-701A, F-702A							
F-701B	Fuse Holder	Fuse Holder.			4	HCM	T-7610882 P64	7	1	22	1	2	F-701B, F-702B							
F-702A	Fuse	Same as F-701A.	-28032-2																	
F-702B	Fuse Holder	Same as F-701B.																		

PARTS AND SPARE PARTS LIST

NAVSHPIS 900,946

SECTION 8

8-109

TABLE 8-2 (Continued)

COMBINED PARTS AND SPARE PARTS LIST BY SYMBOL DESIGNATION

FOR NAVY MODELS SR AND SR-a RADAR EQUIPMENTS

See Notes	Symbol Desig.	Function	Description	Navy Type Number	Navy Spec. or Drawing Number	Mfr.	Mfr. Desig.	Special Tol. Rating or Modification	Contractor's Drawing and Part Number	Equip.		Tender		All Symbol Designations Involved
										Box Number	Quantity	Box Number	Quantity	
	CONSOLE RECEIVER CAY-46ADH (Continued)													
	H-701 to H-704	Not Used												
	H-705	Terminal	Ground.			1			K-7810427 P1	0	0	10		H-705, H-710
	H-706	Terminal	Wire.			1	S# 236-003		T-7613072 P30	0	0	8		H-706
	H-707	Not Used												
	H-708	Terminal	Wire.			1			M-7408043 P5	0	0	2		H-708
	H-709	Clip	Resistor.			1	S# 867-280		T-7613072 P34	0	0	2		H-709
	H-710	Terminal	Same as H-705.											
	H-711	Terminal	Wire Clip.			1	S# 169-70		T-7613072 P36	0	0	1		H-711
	H-712	Bushing	Shaft.			1			M-7411638 G1	0	0	1		H-712
	H-713	Bushing	Shaft.			1			K-7813750 P1	0	0	1		H-713
	H-714	Nut	Bushing.			1			M-7406684 P4	0	0	5		H-714
	H-715	Washer	Spring.			1			M-7408221 P1	0	0	1		H-715
	H-716	Latch	For Lock.			1			K-7813560 P1	0	0	1		H-716
	H-717	Washer	For Lock.			1			K-7813562 P1	0	0	1		H-717
	H-718	Knob	Lock.			1			K-7813561 P1	0	0	1		H-718
	H-719	Handle	Unit Pull.			1			M-7411034 P1	0	0	2		H-719
	H-720	Clip	Resistor Clip.			1			M-7403088 P1	0	0	2		H-720

8-110

SECTION 8

NAVSHPIS 900,946

PARTS AND SPARE PARTS LIST

ORIGINAL

ORIGINAL

	H-721	Thumb Screw	Panel.		1			M-7411291 P1		0	0	4	H-721	
	H-722	Thumb Screw	Clamp.		1			K-7814073 P1		0	0	2	H-722	
	I-701A	Bulb	1/25 Watt, Neon Bulb, Bayonet Base	VG-13	1	T2-NE-15		T-7610883 P73	7	4	22	8	12	I-701A, I-702A
	I-701B	Receptacle— Indicating Lamp			5	PLN-844-NE-15-H	To be supplied with Black rubber washer	T-7610883 P74	7	1	22	1	2	I-701B, I-702B
†	I-701C	Lens	Clear.		1	S# 822-270		T-7610883 P75	7	1	22	1	2	I-701C, I-702C
	I-702A	Bulb	Same as I-701A.	VG-13										
	I-702B	Receptacle— Indicating Lamp	Same as I-701B.											
†	I-702C	Lens	Same as I-701C.											
	J-701	Receptacle—I.F. Input	Type "N", Army-Navy Standard.	UG-58/U*	1			M-7411316 G1	7	1	22	1	2	J-701
	J-702	Test Point—Grid P.P.I. Amplifiers	Pin Jack.	-49961	37	# 521		T-7610883 P80	7	3	22	5	10	J-702, J-703, J-704, J-705, J-706
	J-703	Test Point—Grid Video Limiter	Same as J-702.	-49961										
	J-704	Test Point—Grid Video Amplifier	Same as J-702.	-49961										
	J-705	Test Point—B + Supply	Same as J-702.	-49961										
	J-706	Test Point—Bias Supply	Same as J-702.	-49961										
	L-701	Coil—Rejection Filter 1	6½ Turns and 14 Turns #28 Enamelled Copper Wire, ½" O.D.		1			P-7710883 G1	7	Δ	22	Δ	Δ	L-701
	L-702	Coil—Rejection Filter 2	5½ Turns and 10 Turns #28 Enamelled Copper Wire, ½" O.D.		1			P-7710883 G2	7	Δ	22	Δ	Δ	L-702
X	L-703	Coil—2nd I.F. Plate	14 Turns, #22 Silver Wire, Tapped at 10-5/6 Turns, ½" O.D. Form.		1			P-7714532 G1	7	0	22	1	1	L-703
	† To be used on Units Serial 1 to 25 incl., on Contract NXss-30306. Δ Supplied in spare sub-assemblies.							X P-7713272 G1 used in early models. * For replacement use.						

8-111

PARTS AND SPARE PARTS LIST

NAVSHIPS 900,946

SECTION 8

TABLE 8-2 (Continued)
COMBINED PARTS AND SPARE PARTS LIST BY SYMBOL DESIGNATION

FOR NAVY MODELS SR AND SR-a RADAR EQUIPMENTS

See Notes	Symbol Desig.	Function	Description	Navy Type Number	Navy Spec. or Drawing Number	Mfr.	Mfr. Desig.	Special Tol. Rating or Modification	Contractor's Drawing and Part Number	Equip.		Tender		All Symbol Designations Involved	
										Box Number	Quantity	Box Number	Quantity		Stock
CONSOLE RECEIVER CAY-46ADH (Continued)															
	L-704A	Coil—1st I.F. Trans. Prim.	28 Turns of #30 Copper Wire, Single Layer Winding.			1			P-7710422 G8	7	Δ	22	Δ	Δ	L-704A
	L-704B	Coil—1st I.F. Trans. Sec.	20 Turns of #30 Copper Wire, Single Layer Winding.			1			P-7710422 G2	7	Δ	22	Δ	Δ	L-704B
	L-705A	Coil—2nd I.F. Trans.	26 Turns of #30 Copper Wire, Single Layer Winding.			1			P-7710422 G12	7	Δ	22	Δ	Δ	L-705A
	L-705B	Coil—2nd I.F. Trans. Sec.	19 Turns of #30 Copper Wire, Single Layer Winding.			1			P-7710422 G14	7	Δ	22	Δ	Δ	L-705B
	L-706A	Coil—3rd I.F. Trans. Prim.	27 Turns of #30 Copper Wire, Single Layer Winding.			1			P-7710422 G13	7	Δ	22	Δ	Δ	L-706A
	L-706B	Coil—3rd I.F. Trans. Sec.	23 Turns of #30 Copper Wire, Single Layer Winding.			1			P-7710422 G9	7	Δ	22	Δ	Δ	L-706B
	L-707	Filter—Detector Diode	Universal Winding, 300 Turns of #34 S.S.C.E. Wire.			1			M-7411618 G1	7	Δ	22	Δ	Δ	L-707, L-708
	L-708	Filter—Detector Diode	Same as L-707.							7	Δ	22	Δ	Δ	
	L-709	Choke—B + Supply	10 Henries, 0.2 Amp.	-303462		1			L-423117	7	1	22	2	3	L-709
	L-710	Filter—Line	Assembly of Coils and Condensers.	-53442		1			L-406820	0	22	1	1		L-710
	M-701	Meter—Jamming Indicator	0-1.0 Milliampere D.C., 2½" Flush Type.	MR25-B-001DCMA		1	OX-33		M-7409888 P1	0		0	1		M-701
	O-701	Clamp	Cable.			1			M-7411381 G1	0	22	1	1		O-701
	O-702	Clamp	Cable.			1			M-7411354 G1	0	22	1	1		O-702
	O-703	Clamp	Condenser "U".			1			M-7411788 G1	0	22	1	1		O-703
	O-704	Clamp	Condenser "U".			1			M-7411760 G1	0	22	1	2		O-704

ORIGINAL

O-705	Clamp for V-716, V-712, V-713	Tube.		1		T-7611463 G18	7	3	22	3	5	O-705, O-706
O-706	Clamp for V-702, V-703, V-704, V-706, V-707, V-708, V-709	Same as O-705.										
O-707	Clamp for V-701	Tube.		1		T-7611463 G29	7	1	22	1	1	O-707
O-708	Clamp for V-715	Tube.		1		T-7611463 G6	7	1	22	1	1	O-708
O-709	Clamp for V-710, V-711	Tube.		1		T-7611463 G31	7	1	22	1	1	O-709
O-710	Clamp for V-705	Tube.		1		T-7611463 G30	7	1	22	1	1	O-710
O-711	Clamp	Condenser.		1		M-7415490 G1	0	22	1	1		O-711
O-712	Cam Shaft Assy.	Shaft and Cams.		1		M-7411685 G1	0	22	1	1		O-712
O-713	Cam Shaft Assy.	Shaft and Cams.		1		M-7415910 G1	0	22	1	1		O-713
O-714	Not Used											
O-715	Bracket Assembly	Bracket and Bearing.		1		P-7711020 G1	0	22	1	1		O-715
O-716	Coupling	Insulating.		1		M-7412648 G2	0	22	1	1		O-716
O-717	Bracket	Assembly.		1		P-7710884 G1	0	22	1	1		O-717
O-718	Clamp for V-714	Tube.		1		T-7611463 G27	7	1	22	1	1	O-718
O-719	Clamp	H. Filter.		1		P-7710222 P1	0	22	1	1		O-719
O-720	Not Used											
O-721	Shockmount Assy.			1		P-7713526 G1	7	1	22	2	4	O-721
O-722	Shockmount Assy.			1		P-7713526 G2	7	1	22	2	4	O-722
O-723	Wrench Set Screw	# 8 Allen Set Screw.		75		T-7613073 P75	7	1	22	1	2	O-723
O-724	Tuning Tool			85	# 810 (Code &Depth)	T-7613073 P76	7	1	22	1	2	O-724
O-725 to O-727	Not Used											
O-728	Board	Resistor.		1		P-7710750 G1	0	0	2			O-728

△ Supplied in spare sub-assemblies.

PARTS AND SPARE PARTS LIST

NAVSHIPS 900,946

SECTION 8

8-113

TABLE 8-2 (Continued)

COMBINED PARTS AND SPARE PARTS LIST BY SYMBOL DESIGNATION

FOR NAVY MODELS SR AND SR-a RADAR EQUIPMENTS

See Notes	Symbol Desig.	Function	Description	Navy Type Number	Navy Spec. or Drawing Number	Mfr.	Mfr. Desig.	Special Tol. Rating or Modification	Contractor's Drawing and Part Number	Equip.		Tender		All Symbol Designations Involved	
										Box Number	Quantity	Box Number	Quantity		Stock
	CONSOLE RECEIVER CAY-46ADH (Continued)														
	O-729	Board	Resistor.			1			P-7710752 G1		0	0	2	O-729	
	O-730	Board	Resistor.			1			P-7710868 G1		0	0	2	O-730	
	O-731	Board	Resistor.			1			P-7710855 G1		0	0	2	O-731	
	O-732	Board	Resistor.			1			M-7411555 G1		0	0	2	O-732	
	O-733	Board	Resistor.			1			M-7411603 G1		0	0	2	O-733	
	O-734	Board	Meter.			1			M-7416491 G2		0	22	1	O-734	
†	R-701	Resistor—Rej. Filter 1, Compensating	9 Ohms \pm 5%, 1/2 Watt, Composition.	-63355-9RO	RE13A-340C	11	EB-905		T-7610883 P105	7	△	22	△	R-701, R-702	
†	R-702	Resistor—Rej. Filter 2, Compensating	Same as R-701.	-63355-9RO						7	△	22	△		
	R-703	Potentiometer— I.F. Gain	2000 Ohms, 2 Watts.	-631219-10		11	Type "J"		P-7708226 P5	7	1	22	3	5	R-703
	R-704	Resistor—Line Terminating	100 Ohms \pm 10%, 1/2 Watt, Composition.	RC20BF-101K	RE13A-340C	11	EB-1011		T-7610883 P108	7	△	22	△	R-704, R-783	
	R-705	Resistor—Cathode Bias 1st I.F.	180 Ohms \pm 5%, 1/2 Watt, Composition.	RC20BF-181J	RE13A-340C	11	EB-1815		T-7610883 P109	7	2	22	5	8	R-705, R-710, R-799
	R-706	Resistor—Screen Filter, 1st I.F.	27,000 Ohms \pm 10%, 1 Watt, Composition.	RC30BF-273K	RE13A-340C	11	GB-2731		T-7610883 P110	7	3	22	8	13	R-706, R-711, R-723, R-732, R-741
	R-707	Resistor—Plate Load, 1st I.F.	4700 Ohms \pm 10%, 1/2 Watt, Composition.	RC20BF-472K	RE13A-340C	11	EB-4721		T-7610883 P111	7	3	22	9	15	R-707, R-709, R-763, R-764, R-765, R-766, R-724, R-726, R-733, R-735, R-742

8-114

ORIGINAL

SECTION 8

NAVSHIPS 900,946

PARTS AND SPARE PARTS LIST

ORIGINAL

R-708	Resistor—Plate Filter	1200 Ohms \pm 10%, $\frac{1}{2}$ Watt, Composition.	RC20BF-122K	RE13A-340C	11	EB-1221	T-7610883 P112	7	3	22	8	13	R-708, R-715, R-725, R-734, R-743
R-709	Resistor—Grid Load, 2nd I.F.	Same as R-707.	RC20BF-472K										
R-710	Resistor—Cathode, Bias, 2nd I.F.	Same as R-705.	RC20BF-181J										
R-711	Resistor—Screen Filter, 2nd I.F.	Same as R-706.	RC30BF-273K										
R-712	Resistor—Loading, 2nd I.F.	390 Ohms \pm 5%, $\frac{1}{2}$ Watt, Composition.	-63355-391	RE13A-340C	11	EB-3915	T-7610883 P116	7	Δ	22	Δ	Δ	R-712
R-713	Resistor—Loading, 2nd I.F.	1200 Ohms \pm 5%, $\frac{1}{2}$ Watt, Composition.	-63355-122	RE13A-340C	11	EB-1225	T-7610883 P117	7	Δ	22	Δ	Δ	R-713
R-714	Resistor—Parasitic Suppressor	220 Ohms \pm 10%, $\frac{1}{2}$ Watt, Composition.	RC20BF-221K	RE13A-340C	11	EB-2211	T-7610883 P118	7	2	22	6	10	R-714, R-729, R-730, R-736
R-715	Resistor—Plate Filter, 2nd I.F.	Same as R-708.	RC20BF-122K										
R-716	Not Used												
R-717	Resistor—Cathode Bias, 3rd I.F.	330 Ohms \pm 5%, $\frac{1}{2}$ Watt, Composition.	-63355-331	RE13A-340C	11	EB-3315	T-7610883 P121	7	Δ	22	Δ	Δ	R-717, R-778
R-718	Resistor—Cathode Bias, 1st I.F.	680 Ohms \pm 5%, $\frac{1}{2}$ Watt, Composition.	-63355-681	RE13A-340C	11	EB-6815	T-7610883 P122	7	Δ	22	Δ	Δ	R-718
R-719	Resistor—Grid Return, 3rd I.F.	.10 Meg. \pm 10%, $\frac{1}{2}$ Watt, Composition.	RC20BF-104K	RE13A-340C	11	EB-1041	T-7610883 P123	7	Δ	22	Δ	Δ	R-719
R-720	Resistor—A.V.C. Divider, 3rd I.F.	36,000 Ohms \pm 5%, 1 Watt, Composition.	RC30BF-363J	RE13A-340C	11	GB-3635	T-7610883 P124	7	3	22	9	15	R-720, R-727, R-737, R-774, R-775, R-776
R-721	Resistor—A.V.C. Divider, 3rd I.F.	47,000 Ohms \pm 5%, 1 Watt, Composition.	RC30BF-473J	RE13A-340C	11	GB-4735	T-7610883 P125	7	2	22	5	8	R-721, R-728, R-738
R-722	Not Used												
R-723	Resistor—Screen Filter, 3rd I.F.	Same as R-706.	RC30BF-273K										
R-724	Resistor—Plate Coil Loading, 3rd I.F.	Same as R-707.	RC20BF-472K					7	Δ	22	Δ	Δ	

 Δ Supplied in spare sub-assemblies.

† For fabricated coil forms use 12 ohms, for moulded coil forms use 9 ohms.

PARTS AND SPARE PARTS LIST

NAVSHIPS 900,946

SECTION 8

8-115

TABLE 8-2 (Continued)

COMBINED PARTS AND SPARE PARTS LIST BY SYMBOL DESIGNATION

FOR NAVY MODELS SR AND SR-a RADAR EQUIPMENTS

See Notes	Symbol Desig.	Function	Description	Navy Type Number	Navy Spec. or Drawing Number	Mfr.	Mfr. Desig.	Special Tol. Rating or Modification	Contractor's Drawing and Part Number	Equip.		Tender		All Symbol Designations Involved
										Box Number	Quantity	Box Number	Quantity	
CONSOLE RECEIVER CAY-46ADH (Continued)														
	R-725	Resistor—Plate Filter, 3rd I.F.	Same as R-708.	RC20BF-122K										
	R-726	Resistor—Grid Coil Loading, 4th I.F.	Same as R-707.	RC20BF-472K						7	Δ	22	Δ	Δ
	R-727	Resistor—A.V.C. Divider, 4th I.F.	Same as R-720.	RC30BF-363J										
	R-728	Resistor—A.V.C. Divider, 4th I.F.	Same as R-721.	RC30BF-473J										
	R-729	Resistor—Parasitic Suppressor	Same as R-714.	RC20BF-221K										
	R-730	Resistor—Parasitic Suppressor	Same as R-714.	RC20BF-221K										
	R-731	Resistor—Cathode Bias, 4th I.F.	470 Ohms ±10%, ½ Watt, Com-position.	RC20BF-471K	RE13A-340C	11	EB-4711		T-7610883 P135	7	2	22	5	8 R-731, R-740, R-754
	R-732	Resistor—Screen Filter, 4th I.F.	Same as R-706.	RC30BF-273K										
	R-733	Resistor—Plate Coil Loading, 4th I.F.	Same as R-707.	RC20BF-472K						7	Δ	22	Δ	Δ
	R-734	Resistor—Plate Filter, 4th I.F.	Same as R-708.	RC20BF-122K										
	R-735	Resistor—Grid Coil Loading, 5th I.F.	Same as R-707.	RC20BF-472K						7	Δ	22	Δ	Δ
	R-736	Resistor—Parasitic Suppressor	Same as R-714.	RC20BF-221K										

8-116

ORIGINAL

8 SECTION

NAVSHIPS 900,946

PARTS AND SPARE PARTS LIST

ORIGINAL

R-737	Resistor—A.V.C. Divider, 5th I.F.	Same as R-720.	RC30BF-363J																	
R-738	Resistor—A.V.C. Divider, 5th I.F.	Same as R-721.	RC30BF-473J																	
R-739	Resistor—Screen Filter, A.V.C.	36,000 Ohms $\pm 10\%$, 1 Watt, Composition.	RC30BF-363K	RE13A-340C	11	GB-3631		T-7610883 P143	7	1	22	3	5							R-739, R-777
R-740	Resistor—Cathode Bias, 5th I.F.	Same as R-731.	RC20BF-471K																	
R-741	Resistor—Screen Filter, 5th I.F.	Same as R-706.	RC30BF-273K																	
R-742	Resistor—Plate Coil Loading, 5th I.F.	Same as R-707.	RC20BF-472K						7	Δ	22	Δ	Δ							
R-743	Resistor—Plate Filter, 5th I.F.	Same as R-708.	RC20BF-122K																	
R-744	Resistor—Load Diode Transformer	3300 Ohms $\pm 10\%$, 1 Watt, Composition.	RC30BF-332K	RE13A-340C	11	GB-3321		T-7610884 P148	7	Δ	22	Δ	Δ							R-744
R-745	Resistor—Load, Detector Diode	10,000 Ohms $\pm 10\%$, $\frac{1}{2}$ Watt, Composition.	RC20BF-103K	RE13A-340C	11	EB-1031		T-7610884 P149	7	1	22	3	5							R-745, R-749
R-746	Resistor—Grid Filter, A.V.C.	47,000 Ohms, $\pm 10\%$, $\frac{1}{2}$ Watt Composition.	RC20BF-473K		11			T-7610884 P150	7	1	22	2	3							R-746
R-747	Resistor—Grid Return Balanced Video	.47 Meg. $\pm 10\%$, $\frac{1}{2}$ Watt, Composition.	RC20BF-474K	RE13A-340C	11	EB-4741		T-7610884 P151	7	3	23	9	15							R-747, R-756, R-758, R-790, R-796, R-761
R-748	Resistor—Screen Dropping, Balanced Video	47,000 Ohms $\pm 10\%$, 1 Watt, Composition.	RC30BF-473K	RE13A-340C	11	GB-4731		T-7610884 P152	7	1	22	2	3							R-748
R-749	Not Used																			
R-750	Resistor—Cathode Bias, Balanced Video	560 Ohms $\pm 5\%$, 1 Watt, Composition.	RC30BF-561J	RE13A-340C	11	GB-5615		T-7610884 P154	7	1	22	2	3							R-750
R-751	Potentiometer—Screen, Balanced Video	50,000 Ohms, $\pm 10\%$, 2 Watts.	-632054-10		11	Type J		P-7711132 P3	7	1	22	3	5							R-751

 Δ Supplied in spare sub-assemblies.

PARTS AND SPARE PARTS LIST

NAVSHIPS 900,946

SECTION 8

8-117

TABLE 8-2 (Continued)

COMBINED PARTS AND SPARE PARTS LIST BY SYMBOL DESIGNATION

FOR NAVY MODELS SR AND SR-a RADAR EQUIPMENTS

See Notes	Symbol Desig.	Function	Description	Navy Type Number	Navy Spec. or Drawing Number	Mfr.	Mfr. Desig.	Special Tol. Rating or Modification	Contractor's Drawing and Part Number	Equip.		Tender		All Symbol Designations Involved	
										Box Number	Quantity	Box Number	Quantity		Stock
CONSOLE RECEIVER CAY-46ADH (Continued)															
	R-752	Resistor—Plate Load, Balanced Video	820 Ohms \pm 10%, $\frac{1}{2}$ Watt, Com-position.	RC20BF-821K	RE13A-340C	11	EB-8211		T-7610884 P156	7	1	22	2	3	R-752
	R-753	Not Used													
	R-754	Resistor—Plate Load, "A" Scope Video	Same as R-731.	RC20BF-471K											
	R-755	Resistor—Video Mixer	820 Ohms \pm 5%, 1 Watt, Com-position.	RC30BF-821J	RE13A-340C	11	GB-8215		T-7610884 P159	7	1	22	2	3	R-755
	R-756	Resistor—Grid Return, Video Mixer	Same as R-747.	RC20BF-474K											
	R-757	Resistor—Cathode Load Video Mixer	68 Ohms \pm 10%, $\frac{1}{2}$ Watt, Com-position.	RC20BF-680K	RE13A-340C	11	EB-6801		T-7610884 P161	7	1	22	3	5	R-757, R-762
	R-758	Resistor—Grid Return, Video Mixer	Same as R-747.	RC20BF-474K											
	R-759	Resistor—Shunt Diode Filter	27,000 Ohms \pm 10%, $\frac{1}{2}$ Watt, Composition.	RC20BF-273K	RE13A-340C	11	EB-2731		T-7610884 P163	7	Δ	22	Δ	Δ	R-759, R-760
	R-760	Resistor—Shunt Diode Filter	Same as R-759.	RC20BF-273K						7	Δ	22	Δ	Δ	
	R-761	Resistor—Grid Input to V-710	Same as R-747.	RC20BF-474K											
	R-762	Resistor—Line Terminating PPI Marker Input	Same as R-757.	RC20BF-680K											
	R-763	Resistor—Cathode Load Video Out-put Amplifier	Same as R-707.	RC20BF-472K											

ORIGINAL

R-764	Resistor—Cathode Load Video Output Amplifier	Same as R-707.	RC20BF-472K																	
R-765	Resistor—Cathode Load Video Output Amplifier	Same as R-707.	RC20BF-472K																	
R-766	Resistor—Cathode Load Video Output Amplifier	Same as R-707.	RC20BF-472K																	
R-767	Resistor—Bias Supply Divider	120 Ohms $\pm 5\%$, 1 Watt, Composition.	RC20BF-121J	RE13A-340C	11	GB-1215	T-7610884 P171	7	3	22	9	15	R-767, R-768, R-769, R-787, R-788, R-789							
R-768	Resistor—Bias Supply Divider	Same as R-767.	RC20BF-121J																	
R-769	Resistor—Bias Supply Divider	Same as R-767.	RC20BF-121J																	
R-770	Not Used																			
R-771	Resistor—Fuse Indicator Dropping	.12 Meg. $\pm 10\%$, $\frac{1}{2}$ Watt, Composition.	RC20BF-124K	RE13A-340C	11	EB-1241	T-7610884 P175	7	1	22	3	5	R-771, R-772							
R-772	Resistor—Fuse Indicator Dropping	Same as R-771.	RC20BF-124K																	
R-773	Resistor—B + Filter	5000 Ohms, $\pm 5\%$, 20 Watts, Wire Wound.	-63015F	RE13A-372J	16	41	M-7409804 P38	7	1	22	3	5	R-773							
R-774	Resistor—A.V.C. Divider, 3rd I.F.	Same as R-720.	RC30BF-363J																	
R-775	Resistor—A.V.C. Divider, 4th I.F.	Same as R-720.	RC30BF-363J																	
R-776	Resistor—A.V.C. Divider, 5th I.F.	Same as R-720.	RC30BF-363J																	
R-777	Resistor—Screen Filter, A.V.C.	Same as R-739.	RC30BF-363K																	
R-778	Resistor—Cathode Load of "A" Scope	Same as R-717.	-63355-331																	
R-779 to R-782	Not Used																			

△ Supplied in spare sub-assemblies.

PARTS AND SPARE PARTS LIST

NAVSHIPS 900,946

SECTION 8

TABLE 8-2 (Continued)

COMBINED PARTS AND SPARE PARTS LIST BY SYMBOL DESIGNATION

FOR NAVY MODELS SR AND SR-a RADAR EQUIPMENTS

See Notes	Symbol Desig.	Function	Description	Navy Type Number	Navy Spec. or Drawing Number	Mfr.	Mfr. Desig.	Special Tol. Rating or Modification	Contractor's Drawing and Part Number	Equip.		Tender		All Symbol Designations Involved
										Box Number	Quantity	Box Number	Quantity	
CONSOLE RECEIVER CAY-46ADH (Continued)														
	R-783	Resistor—Grid, 1st I.F.	Same as R-704.	RC20BF-101K						7	Δ	22	Δ	Δ
	R-784	Not Used												
	R-785	Not Used												
	R-786	Resistor—B + Filter	2500 Ohms ±10%, 60 Watts, Style D, Class 1, Grade 1.	-63080F		16 41			M-7409803 P35	7	1	22	3	5 R-786
	R-787	Resistor—Bias Supply Divider	Same as R-767.	RC20BF-121J										
	R-788	Resistor—Bias Supply Divider	Same as R-767.	RC20BF-121J										
	R-789	Resistor—Bias Supply Divider	Same as R-767.	RC20BF-121J										
	R-790	Resistor—Grid Return Video Amplifier	Same as R-747.	RC20BF-474K										
	R-791	Resistor—Cathode Bias Bal. Video	150 Ohms ±10%, ½ Watt, Composition	RC20BF-151K	RE13A-340C	11	EB-1511		T-7610884 P195	7	1	22	2	3 R-791
	R-792	Resistor—Cathode Dropping Balanced Video	82,000 Ohms ±10%, 1 Watt, Composition.	RC30BF-823K	RE13A-340C	11	GB-8231		T-7610884 P196	7	2	22	5	8 R-792
	R-793	Not Used												
	R-794	Not Used												
	R-795	Resistor—Plate Load Video Amplifier	1000 Ohms ±10%, 1 Watt, Composition.	RC30BF-102K	RE13A-340C	11	GB-1021		T-7610884 P199	7	1	22	2	3 R-795

8-120

ORIGINAL

SECTION 8

NAVSHIPS 900,946

PARTS AND SPARE PARTS LIST

ORIGINAL

R-796	Resistor—Grid Return "A" Scope Video	Same as R-747.	RC20BF-474K																	
R-797	Not Used																			
R-798	Resistor—Cathode Bias, 3rd I.F.	4700 Ohms $\pm 5\%$, 1 Watt, Composition.	RC30BF-472J	RE13A-340C	11	GB-4725		T-7610884 P202	6	1	22	2	3	R-798						
R-799	Resistor—Cathode	Same as R-705.	RC20BF-181J																	
S-701A	Switch Assembly, Cathode Bias, 1st I.F.	4 Sets of Contacts, 3 Positions, Rotary Wafer Type with Assembled Capacitors and Resistors.			1		Switch 76108-74 P1	P-7710813 G1	7	1	22	1	1	S-701A, S-701B S-701C, S-701D						
S-701B	Switch—Coil Loading, 2nd I.F. Plate	Part of S-701A.																		
S-701C	Switch—Coil Tap 2nd I.F. Plate	Part of S-701A.																		
S-701D	Switch—Pulse Width Control	Part of S-701A.																		
S-702	Switch—A.V.C. Time Constant	3 Positions, Rotary Type.		AN-QQ-S-91	34			P-7713701 P1	7	1	22	1	1	S-702						
S-703	Switch—PPI Marker "On-Off"	S.P.D.T., Toggle.	-24002	RE24AA-118A	7			T-7610884 P209	7	1	22	1	1	S-703						
S-704	Switch—Echo Box	S.P.S.T., Toggle.	-24000	RE24AA-118A	7			T-7610884 P210	7	1	22	1	1	S-704						
T-701	Filter—Rejection	Assembly of Coils, Resistors and Capacitors.	-471514		1			T-7610967 G1	7	1	22	2	3	T-701						
T-702	Filter—Rejection	Assembly of Coils, Resistors and Capacitors.	-471515		1			T-7610967 G2	7	1	22	2	3	T-702						
T-703	Transformer—1st I.F.	Assembly of Coils and Resistors.	-471511		1			T-7611123 G1	7	1	22	2	3	T-703						
T-704	Transformer—2nd I.F.	Assembly of Coils and Resistors.	-471512		1			T-7611123 G2	7	1	22	2	3	T-704						
T-705	Transformer—3rd I.F.	Assembly of Coils and Resistors.	-471513		1			T-7611123 G3	7	1	22	2	3	T-705						

△ Supplied in spare sub-assemblies.

PARTS AND SPARE PARTS LIST

NAVSHIPS 900,946

SECTION 8

TABLE 8-2 (Continued)

COMBINED PARTS AND SPARE PARTS LIST BY SYMBOL DESIGNATION

FOR NAVY MODELS SR AND SR-a RADAR EQUIPMENTS

See Notes	Symbol Desig.	Function	Description	Navy Type Number	Navy Spec. or Drawing Number	Mfr.	Mfr. Desig.	Special Tol. Rating or Modification	Contractor's Drawing and Part Number	Equip.		Tender		All Symbol Designations Involved	
										Box Number	Quantity	Box Number	Quantity		Stock
	CONSOLE RECEIVER CAY-46ADH (Continued)														
	T-706	Transformer—Plate and Filament	Pri.—115 V., Sec.—6.3 V/10 Amps. 6.3 V/0.6 A., 5 Ct/3 A., 850 V/0.142 A., 65 V/.142 A., 60 Cycle.	-301164		1	R-1319		T-7610885 P222	7	1	22	2	3	T-706
	T-707	Not Used													
	T-708	Filter—I.F. Dual	Assembly of Coils and Condensers.	-471510		1			T-7610937 G1	7	1	22	2	3	T-708
	V-701	Tube—Vacuum—1st I.F. Amp.	Television Amplifier Pentode—Single Ended Metal Type. Small Wafer Octal 8 Pin Socket. Heater Current 0.45 Amp. at 6.3 V.A.C. or D.C.	6AC7/1852	RE13A-600	6	6AC7/1852		T-7610885 P229	14	14	24	21	0	V-701, V-702, V-703, V-704, V-705, V-709
	V-702	Tube—Vacuum, 2nd I.F. Amp.	Same as V-701.	6AC7/1852											
	V-703	Tube—Vacuum, 3rd I.F. Amp.	Same as V-701.	6AC7/1852											
	V-704	Tube—Vacuum, 4th I.F. Amp.	Same as V-701.	6AC7/1852											
	V-705	Tube—Vacuum 5th I.F. Amp.	Same as V-701.	6AC7/1852											
	V-706	Tube—Vacuum, A.V.C. Control	Video Power Amplifier Pentode. Single Ended Metal Type. Small Wafer Octal 8 Pin Socket. Heater Current 0.65 Amp. at 6.3 V.A.C. or D.C.	6AG7	RE13A-600	6	6AG7		T-7610885 P234	14	10	24	15	0	V-706, V-712, V-713, V-714, V-716
	V-707	Tube—Vacuum Detector	Twin Diode, Metal Type. Small Octal 7 Pin Socket Filament Current 0.3 Amp. at 6.3 V.A.C. or D.C.	6H6	RE13A-600	64	6H6		T-76108852 P235	14	2	24	3	0	V-707
	V-708	Tube—Vacuum Bal. Video Amp.	Same as V-701.	6AC7/1852											
	V-709	Tube—Vacuum Bal. Video Amp.	Same as V-701.	6AC7/1852											

8-122

8 SECTION

NAVSHIPS 900,946

PARTS AND SPARE PARTS LIST

ORIGINAL

ORIGINAL

V-710	Tube—Vacuum, Video Amplifier	Twin Triode, Intermediate Shell. Octal 8 Pin Base, Filament Current 0.6 Amp. at 6.3 V.A.C.	6SN7-GT	RE13A-600	64			T-7610885 P238	14	4	24	6	0	V-710, V-711
V-711	Tube—Vacuum Video Mixer	Same as V-710.	6SN7-GT											
V-712	Tube—Vacuum Video Output Amp.	Same as V-706.	6AG7											
V-713	Tube—Vacuum, Video Output Amp.	Same as V-706.	6AG7											
V-714	Tube—Vacuum, Video Output Amp.	Same as V-706.	6AG7											
V-715	Tube—Vacuum Rectifier, Power Supply	Full Wave, High Vacuum Rectifier Med. Shell, Octal, 5 Pin Base, Heater 3.0 Amps. at 5.0 V.A.C.	5U4G	RE13A-600	64			T-7610885 P243	14	2	24	3	0	V-715.
V-716	Tube—Vacuum, Video Output Amp.	Same as V-706.	6AG7											
X-701	Socket—1st I.F. Amp.	Octal, Phenolic.	-49374	RE49AA-312A	18	MIP-8TM		T-7610885 P248	7	8	22	8	16	X-701, X-702, X-703, X-704, X-705, X-706, X-707, X-709, X-710, X-711, X-712, X-713, X-714, X-715, X-716
X-702	Socket—2nd I.F. Amp.	Same as X-701.	-49374											
X-703	Socket—3rd I.F. Amp.	Same as X-701.	-49374											
X-704	Socket—4th I.F. Amp.	Same as X-701.	-49374											
X-705	Socket—5th I.F. Amp.	Same as X-701.	-49374											
X-706	Socket—A.V.C. Control	Same as X-701.	-49374											
X-707	Socket—Detector	Same as X-701.	-49374											
X-708	Not Used													

PARTS AND SPARE PARTS LIST

NAVSHIPS 900,946

SECTION 8

8-123

TABLE 8-2 (Continued)

COMBINED PARTS AND SPARE PARTS LIST BY SYMBOL DESIGNATION

FOR NAVY MODELS SR AND SR-a RADAR EQUIPMENTS

See Notes	Symbol Desig.	Function	Description	Navy Type Number	Navy Spec. or Drawing Number	Mfr.	Mfr. Desig.	Special ToF. Rating or Modification	Contractor's Drawing and Part Number	Equip.		Tender		All Symbol Designations Involved	
										Box Number	Quantity	Box Number	Quantity		Stock
	CONSOLE RECEIVER CAY-46ADH (Continued)														
	X-709	Socket—Balanced Video Amp.	Same as X-701.	-49374											
	X-710	Socket—Video Amp.	Same as X-701.	-49374											
	X-711	Socket—Video Mixer	Same as X-701.	-49374											
	X-712	Socket—Video Output Amp.	Same as X-701.	-49374											
	X-713	Socket—Video Output Amp.	Same as X-701.	-49374											
	X-714	Socket—Video Output Amp.	Same as X-701.	-49374											
	X-715	Socket—Rectifier, Power Supply	Same as X-701.	-49374											
	X-716	Socket—Video Output Amp.	Same as X-701.	-49374											
	BEARING INDICATOR CAY-55AFC AND/OR CAY-55AGT														
	B-801	Motor—Slewing	27/13 Volts D.C., 4000 R.P.M., 0.4 A., Shunt, Ball Bearing, # 14 Ads Frame, to be Used in Continuous Reversing Service.	-211765	17M17 As Applicable	1	S# 117-1181A		T-7611054 P1	5	1	16	2	3	B-801
	B-802	Not Used													
2	B-803	Synchro-Control Transformer	Control Transformer.	MKI, Mod 3	Ordnance Dwg. 185305	7	5CT-MK1-MOD3		T-7611054 P4	5	1	16	2	3	B-803

8-124

ORIGINAL

SECTION 8

NAVSHIPS 900,946

PARTS AND SPARE PARTS LIST

ORIGINAL

2	B-804	Synchro-Motor	Dial Indicator.	5F MK IV	Ordnance Dwg. 164366	7	5F-MK-IV	T-7611054 P5	5	1	16	4	6	B-804, B-807
2	B-805	Synchro-Differential Motor	Differential Motor 90/90 Volts, 60 Cycle.	5D MK VII	Ordnance Dwg. 109663	7	5D-MK VIII	T-7611054 P6	5	1	16	2	3	B-805
	B-806	Blower Motor	Diehl, 2 Phase, 75 Volts, 4 W., 60 Cycle.	-211052	RE9111A	28	4-A-369B	T-7611054 P7	5	1	16	2	3	B-806
3	B-807	Synchro Motor	Same as B-804.	5F MK IV										
	C-801	Capacitor—Switch	.5 MFD. ±10%, 400 V.D.C.W., Oil Filled, Paper.	48205A-10	RE13A-488	47	Type 430	T-7611054 P12	5	1	16	2	3	C-801
	C-802A	Capacitor—Synchro	3 x 10 MFD., 90 Volts, 60 Cycle, Oil Filled, Paper.	-481999-20	Ordnance Dwg. 265073	7	MI-1 Type 3C	T-7611054 P14	5	1	16	2	3	C-802A, C-802B, C-802C
	C-802B	Capacitor	Part of C-802A.					T-7611054 P15						
	C-802C	Capacitor	Part of C-802A.					T-7611054 P16						
†	C-803A	Capacitor—Synchro	Same as C-802A.	-481999-20				T-7611054 P17						
†	C-803B	Capacitor	Part of C-803A.					T-7611054 P18						
†	C-803C	Capacitor	Part of C-803A.					T-7611054 P19						
	C-804	Not Used												
	C-805A	Capacitor—Synchro	3 x .67 MFD. ±10%, 90 V.A.C., Connected in Delta.	-482620-10	RE13A-488	47	57628	T-7611054 P21						C-805A, C-805B, C-805C
	C-805B	Capacitor	Part of C-805A.					T-7611054 P22						
	C-805C	Capacitor	Part of C-805A.					T-7611054 P23						
		Capacitor, Spare for C-805A, C-805B, C-805C	Same as C-805A, except omit Mounting Brackets.	-482620				T-7611054 P24	5	1	16	2	3	
	C-806	Not Used												
	C-807	Capacitor—Fan Motor Phase Shifting	5 MFD. ±10%, 220 V.A.C., Oil Filled.	-484000-10	RE13A-488	12	KLA-2050-1 (W) Spring-field Dwg. 95C318	T-7611054 P27	5	1	16	2	3	C-807

2 Used on Units Serials 201 and up.
† Used on Units Serials 1 to 200 only.

3 Equipment Spares used on Units Serials 301 and up.

PARTS AND SPARE PARTS LIST

NAVSHIPS 900,946

SECTION 8

TABLE 8-2 (Continued)

COMBINED PARTS AND SPARE PARTS LIST BY SYMBOL DESIGNATION

FOR NAVY MODELS SR AND SR-a RADAR EQUIPMENTS

See Notes	Symbol Desig.	Function	Description	Navy Type Number	Navy Spec. or Drawing Number	Mfr.	Mfr. Desig.	Special Tol. Rating or Modification	Contractor's Drawing and Part Number	Equip.		Tender		All Symbol Designations Involved	
										Box Number	Quantity	Box Number	Quantity		Stock
BEARING INDICATOR CAY-55AFC AND/OR CAY-55AGT (Continued)															
	CR-801	Rectifier—Motor L.V.	Disc Type Rectifier 40 Volts, .4 Amp.	-20563		54	4B3-CLX2		T-7611054 P29	5	1	16	1	2	CR-801
	CR-802	Rectifier—Motor L.V.	Disc Type Rectifier 20 Volts, .4 Amp.	-20564		54	10B1-CLX1		T-7611054 P30	5	1	16	1	2	CR-802
	E-801	Terminal Block	Interconnection.			21	# 15-142		T-7610837 P1	0	16	1	1	2	E-801, E-802
	E-801A	Strip	Terminal Marking.			1			M-7414335 P1	0	16	1	1	1	E-801A
	E-802	Terminal Block	Same as E-801.												
	E-802A	Strip	Terminal Marking.			1			M-7414336 P1	0	16	1	1	1	E-802A
4	E-802B	Strip	Terminal Marking.			1			M-7417951 P1	0	16	1	1	1	E-802B
	E-803	Not Used													
	E-804	Not Used													
	E-805	Terminal Block	Motor Connections.			21	# 4-142		T-7610837 P5	0	16	1	1	2	E-805
	E-805A	Strip	Terminal Marking Strip.			1			K-7816943 P1	0	16	1	1	1	E-805A
	E-806	Not Used													
	E-807	Not Used													
	E-808	Not Used													
	E-809	Knob	Motor Switch.			1			P-7708220 P1	0	16	1	1	1	E-809
	E-810	Knob	Hand Slew.			1			P-7705762 G4	0	16	1	1	1	E-810
	F-801A	Fuse	2.0 Amps.	-28032-2		31	3AG-1042		T-7611054 P34	5	20	16	40	100	F-801A, F-802A
	F-801B	Fuse Holder	Fuse Receptacle.			4	HCM		T-7611054 P35	5	1	16	1	2	F-801B, F-802B

8-126

ORIGINAL

SECTION 8

NAVSHPIS 900,946

PARTS AND SPARE PARTS LIST

ORIGINAL

F-802A	Fuse	Same as F-801A.	-28032-2																	
F-802B	Fuse Holder	Same as F-801B.																		
H-801	Thumb Screw	Cable Clamp.																		1 H-801
H-802	Thumb Screw	Panel																		4 H-802
H-803	Thumb Screw	Bezel.																		4 H-803
H-804	Thumb Screw	Dial Lite																		1 H-804
H-805	Screw	Dial Lite Shoulder.																		1 K-805
H-806	Not Used																			
H-807	Not Used																			
H-808	Clamp	Cable Clamp.																		1 H-808
H-809	Clamp	Synchro.																		9 H-809
H-810	Clamp	Bearing Assembly.																		3 H-810.
H-811	Clamp	"U" Capacitor.																		4 H-811
H-812	Not Used																			
H-813	Nut	Capacitor Clamp.																		8 H-813
H-814	Bushing	Shaft Bearing.																		1 H-814
H-815	Nut	Bushing Nut.																		1 H-815
H-816	Not Used																			
H-817	Nut	Minalite Sleeve Nut.																		2 H-817
H-818	Not Used																			
H-819	Shims	Motor.																		16 H-819
H-820	Ring—Locking																			1 H-820
H-821	Not Used																			
I-801A	Bulb—Indicating Light	Neon Lamp Bayonet, 1/25 Watt.	VG-13																	1 NE-15
																				5 4 16 8 12 I-801A, I-802A

4 Tender and Stock Spares used on Units Serials 201 and up.
† To be used on Units Serials 1 to 25 incl., for Contract NSsr-30306.

PARTS AND SPARE PARTS LIST

NAVSHIPS 900,946

SECTION 8

8-127

TABLE 8-2 (Continued)

COMBINED PARTS AND SPARE PARTS LIST BY SYMBOL DESIGNATION

FOR NAVY MODELS SR AND SR-a RADAR EQUIPMENTS

See Notes	Symbol Desig.	Function	Description	Navy Type Number	Navy Spec. or Drawing Number	Mfr.	Mfr. Desig.	Special Tol. Rating or Modification	Contractor's Drawing and Part Number	Equip.		Tender		All Symbol Designations Involved	
										Box Number	Quantity	Box Number	Quantity		
	BEARING INDICATOR CAY-55AFC AND/OR CAY-55AGT (Continued)														
	I-801B	Receptacle— Indicating Light	Fuse Indicating with Black Rubber Washer.			5	PLN-844-NE 15-H		T-7611054 P41	5	1	16	1	2	I-801B, I-802B
†	I-801C	Lens—Indicating Light	Clear.			1	S # 822- 270		T-7611054 P42	5	1	16	1	2	I-801C, I-802C
	I-802A	Bulb—Indicating Light	Same as I-801A.	VG-13											
	I-802B	Receptacle— Indicating Light	Same as I-801B.												
†	I-802C	Lens—Indicating Light	Same as I-801C.												
	I-803A	Bulb—Relative Indicator	Westinghouse Mazda, 6.3 V., Bayonet Base.	TB-11		1			T-7611054 P46	5	4	16	8	12	I-803A, I-804A, I-805A
	I-803B	Receptacle—Re- ceiver Indicator	Vari-Dim. Signal Light Assembly.			5	Less Lens & Lens Holder DV77SA		T-7611054 P47	5	1	16	1	2	I-803B, I-805B
	I-803C	Lens—Relative Indicator				1			M-7414462 G1	5	1	16	1	1	I-803C
	I-804A	Bulb—Dial Light	Same as I-803A.	TB-11											
	I-804B	Receptacle—Dial Light	Bulb Receptacle.			37	Cat. # B-317R	Mod. per Dwg K-781- 4021	T-7611054 P50	5	1	16	1	1	I-804B
	I-805A	Bulb—True Indicator	Same as I-803A.	TB-11											
	I-805B	Receptacle—True Indicator	Same as I-803B.												

ORIGINAL

I-805C	Lens—True Indicator				1		M-7414462 G2	5	1	16	1	1	I-805C
O-801	Gear Box	Motor Reducer.			1		T-7611829 G1	0	16	1	1	1	O-801
O-802	Gear Housing	Gear and Shaft Assembly.			1	SeeNote	P-7711782 G1	0	16	1	1	1	O-802
O-803	Shaft and Bearing Assembly	Hand Drive.			1		P-7711786 G1	0	16	1	1	1	O-803
O-804A	Coupling	Coupling Assembly.			1		M-7414478 G1	0	16	1	1	1	O-804A
O-804B	Coupling	Coupling Assembly.			1		M-7414479 G1	0	16	1	1	1	O-804B
O-805	Coupling	Universal Joint.			1	SeeNote	M-7416144 P1	0	16	1	1	1	O-805
O-806	Coupling	Flexible Coupling.			1		M-7414471 G1	0	16	1	1	1	O-806
O-807	Not Used												
O-808	Not Used												
O-809	Dial	L. H. Dial Assembly.			1		M-7412053 G1	0	16	1	1	1	O-809
O-810	Dial	R.H. Dial Assembly.			1		M-7412053 G2	0	16	1	1	1	O-810
O-811	Bug	Bug Assembly.			1		K-7814402 G1	0	16	1	1	1	O-811
O-812	Bracket	Light Holder.			1		M-7411797 P1	0	16	1	1	1	O-812
O-813	Not Used												
O-814	Not Used												
O-815	Handle	Unit Pull.			1		M-7411034 P1	0	16	2	2	2	O-815
O-816	Not Used												
O-817	Grommet	Lead Thru.			1	S# 110-6698	T-7610837 P57	0	16	1	1	1	O-817
R-801	Resistor— Indicating Light	120,000 Ohms ±5%, 1 Watt, Com- position.	-63288-124	RE13A- 340C	11	GB- 1245	T-7611054 P65	5	1	16	3	5	R-801, R-802
R-802	Resistor— Indicating Light	Same as R-801.	-63288-124										
R-803	Not Used												
S-801A	Switch—Slewing Motor	Rotary, 5 Position.			37		P-7711096 P1	5	1	16	1	1	S-801A, S-801B

† To be used on Units Serials 1 to 25, incl., for Contract NSsr-30306.
O-802 and O-805 must be tied together.

PARTS AND SPARE PARTS LIST

NAVSHIPS 900,946

SECTION 8

TABLE 8-2 (Continued)

COMBINED PARTS AND SPARE PARTS LIST BY SYMBOL DESIGNATION

FOR NAVY MODELS SR AND SR-a RADAR EQUIPMENTS

See Notes	Symbol Desig.	Function	Description	Navy Type Number	Navy Spec. or Drawing Number	Mfr.	Mfr. Desig.	Special Tol. Rating or Modification	Contractor's Drawing and Part Number	Equip.		Tender		All Symbol Designations Involved
										Box Number	Quantity	Box Number	Quantity	
	BEARING INDICATOR CAY-55AFC AND/OR CAY-55AGT (Continued)													
	S-801B	Switch—Slewing Motor	Part of S-801A.						T-7611054 P56					
	S-802	Not Used												
	S-803	Not Used												
	S-804	Switch—Servo to 115 V. Line	S.P.D.T., Toggle Switch.	-24002		7	CG24-002	Less Knurled Mtg. Nut Only	T-7611054 P59	5	1	16	1	S-804
	T-801	Transformer—Rectifier	44 Va., 60 Cycle. Wdg. Volts Amps. Turns Wire Res. P 115 0.4 845 #24 12 S 55 .44 484 #18 1.2 Tapped at 60, 55, 50, 45, 20, 18.5 and 17 Volts.	-303389		1			L-423120	5	1	16	2	3 T-801
	I. F. F. COORDINATOR CAY-23AEV													
	C-901	Capacitor—Synchronizing Pulse Input Coupling	51 MMF. ±10% Ceramic, 500 V.D. C.W.	CC20UF-510K		29	N750-L51		T-7610938 P1	5	1	23	2	C-901, C-904
	C-902	Capacitor—Switch Tube Coupling	100 MMF. ±10%, Ceramic, 500 V.D.C.W.	-481959-10		29	N750-L100		T-7610938 P2	5	1	23	2	C-902, C-903
	C-903	Capacitor—Multi-vibrator Coupling	Same as C-902.	-481959-10										
	C-904	Capacitor—Synchronizing Pulse Coupling	Same as C-901.	CC20UF-510K										
	C-905	Not Used												

ORIGINAL

C-906	Capacitor—Coupling	240 MMF. $\pm 10\%$, 500 V.D.C.W., Mica.	-483959-B10		47 29	1468-LST		T-7610938 P6	5	1	23	3	5	C-906, C-907, C-910, C-911, C-912
C-907	Capacitor—Coupling	Same as C-906.	-483959-B10											
C-908	Capacitor—Range Scope Coupling	.25 MFD. $\pm 10\%$, 600 V.D.C.W., Oil Filled, Paper.	-483970-10		47	618B	Terms. at Bot.	T-7610938 P8	5	1	23	3	5	C-908, C-909
C-909	Capacitor—I.F.F. Trigger Coupling	Same as C-908.	-483970-10											
C-910	Capacitor—Coupling	Same as C-906.	-483959-B10											
C-911	Capacitor—Delay Circuit Coupling	Same as C-906.	-483959-B10											
C-912	Capacitor—Coupling	Same as C-906.	-483959-B10											
C-913	Capacitor—Plate Voltage Filter	10 MFD. $\pm 10\%$, 600 V.D.C.W., Oil Filled, Paper.	-482533-10	RE13A-488	1	S# 131-8745		T-7610938 P13	5	1	23	3	5	C-913, C-914
C-914	Capacitor—Plate Voltage Filter	Same as C-913.	-482533-10											
C-915	Capacitor—Bias By-Pass	4 MFD. $\pm 10\%$, 600 V.D.C.W., Oil Filled, Paper.	-483963-10	RE13A-488	47	609-MB		T-7610938 P15	5	1	23	2	3	C-915
E-901	Terminal Strip	Interconnection Terminals.			21	#15-142		T-7611783 P1		0	23	1	1	E-901
E-901A	Terminal Strip Marker	Terminal Identifier.			1			M-7414597 P1		0	23	1	1	E-901A.
E-902	Spacer	Capacitor Insulating Spacer.			1			K-7812032 P1		0	23	4	8	E-902
F-901A	Primary Fuse	2 Amps., 250 Volts.	-28032-2		31	3AG-1042		T-7610938 P23	5	20	23	40	100	F-901A, F-902A
F-901B	Fuse Holder	Fuse Holder.			4	HCM		T-7610938 P33	5	1	23	1	2	F-901B, F-902B
F-902A	Primary Fuse	Same as F-901A.	-28032-2											
F-902B	Fuse Holder	Same as F-901B.												
H-901	Handle	Unit Pull Handle.			1			M-7411034 P1		0		0	1	H-901
H-902	Knob	Potentiometer Knob.			1			T-7607865 P9		0		0	1	H-902
H-903	Thumb Screw	Panel Thumb Screw.			1			M-7411291 P1		0		0	4	H-903
I-901A	Fuse Indicator Neon Bulb	1/25 Watt, Neon Bulb, Bayonet Base.	VG-13		1	T2-NE-15		T-7610938 P27	5	4	23	8	12	I-901A, I-902A

PARTS AND SPARE PARTS LIST

NAVSHIPS 900,946

SECTION 8

8-131

TABLE 8-2 (Continued)

COMBINED PARTS AND SPARE PARTS LIST BY SYMBOL DESIGNATION

FOR NAVY MODELS SR AND SR-a RADAR EQUIPMENTS

See Notes	Symbol Desig.	Function	Description	Navy Type Number	Navy Spec. or Drawing Number	Mfr.	Mfr. Desig.	Special Tol. Rating or Modification	Contractor's Drawing and Part Number	Equip.		Tender		All Symbol Designations Involved	
										Box Number	Quantity	Box Number	Quantity		Stock
	I. F. F. COORDINATOR CAY-23AEV (Continued)														
	I-901B	Holder for I-901A	Bayonet Base Socket with Black Rubber Washer.			5	PLN-844-NE 15-H		T-7610938 P29	5	1	23	1	2	I-901B, I-902B
†	I-901C	Lens for I-901B	Clear.			1	822270		T-7610938 P31	5	1	23	1	2	I-901C, I-902C
	I-902A	Fuse Indicator Neon Bulb	Same as I-901A.	VG-13											
	I-902B	Holder for I-902A	Same as I-901B.												
†	I-902C	Lens for I-902B	Same as I-901C.												
	J-901 to J-904	Not Used													
	J-905	V-903A Grid Test Jack	Tip Jack.	-49961		37	No. 521	All Exposed Metal Parts to be Silver or Nickel Plated Insulating Washer to be Moisture Proof	T-7610938 P35	5	5	23	9	18	J-905, J-906, J-907, J-908, J-909, J-910, J-911, J-912, J-913
	J-906	V-903B Grid Test Jack	Same as J-905.	-49961											
	J-907	V-904A Grid Test Jack	Same as J-905.	-49961											

8-132

ORIGINAL

SECTION 8

NAVSHIPS 900,946

PARTS AND SPARE PARTS LIST

ORIGINAL

PARTS AND SPARE PARTS LIST

NAVSHIPS 900,946

SECTION 8

J-908	V-904B Grid Test Jack	Same as J-905.	-49961											
J-909	Plate Voltage Test Jack	Same as J-905.	-49961											
J-910	V-905B Grid Test Jack	Same as J-905.	-49961											
J-911	V-905A Grid Test Jack	Same as J-905.	-49961											
J-912	V-901 Grid Test Jack	Same as J-905.	-49961											
J-913	V-902 Grid Test Jack	Same as J-905.	-49961											
L-901	Filter Choke	5000 Turns # 32 Wire, 10 Henries, 0.075 Amp., 750 Volts D.C. Resistance 312 Ohms.	-301159	1			L-422232	5	1	23	2	3	L-901	
L-902	Line Filter	2 Coils, 30 Turns/Coil, # 18 Wire, 110 V., 60 Cycle, 2 Amps., .02 MH., 0.065 Ohm Res.	-53442	1			L-406820		0	23	1	1	L-902	
O-901	Grommet	Lead Thru Grommet.		45	Mold #42		T-7611783 P11	5	1	23	2	4	O-901	
O-902	Not Used													
O-903	Lock	Potentiometer Lock.		49	Cat. # 10061		T-7611783 P13		0	23	2	2	O-903, O-904	
O-904	Lock	Same as O-903.												
O-905	Clamp	2" Can Clamp.		1			P-7710222 P1		0		0	1	O-905	
O-906	Clamp	3" Can Clamp.		1			P-7710222 P3		0		0	1	O-906	
O-907	Clamp Assembly	"U" Condenser Clamp.		1			M-7411012 G1		0		0	1	O-907	
O-908	Not Used													
O-909	Tube Clamp for V-906	Vacuum Tube Clamp.		1			T-7611463 G1	5	1	23	1	1	O-909	
O-910	Tube Clamp for V-903, V-904, V-905	Vacuum Tube Clamp.		1			T-7611463 G31	5	1	23	1	2	O-910	

† To be used on Units Serials 1 to 25, incl., for Contract NXsr-30306.

8-133

TABLE 8-2 (Continued)

COMBINED PARTS AND SPARE PARTS LIST BY SYMBOL DESIGNATION

FOR NAVY MODELS SR AND SR-a RADAR EQUIPMENTS

See Notes	Symbol Desig.	Function	Description	Navy Type Number	Navy Spec. or Drawing Number	Mfr.	Mfr. Desig.	Special Tol. Rating or Modification	Contractor's Drawing and Part Number	Equip.		Tender		All Symbol Designations Involved	
										Box Number	Quantity	Box Number	Quantity		Stock
	I. F. F. COORDINATOR CAY-23AEV (Continued)														
	O-911	Tube Clamp for V-901, V-902	Vacuum Tube Clamp.			1			T-7611463 G28	5	1	23	1	1	O-911
	R-901	Resistor—Grid	10,000 Ohms \pm 5%, 1 Watt, Composition.	-63291-103	RE13A-340C	11	GB-1035		T-7610938 P55	5	3	23	8	13	R-901, R-907, R-914, R-920, R-923
	R-902	Resistor—Grid	220,000 Ohms \pm 5%, 1 Watt, Composition.	-63291-224	RE13A-340C	11	GB-2245		T-7610938 P56	5	1	23	3	5	R-902, R-906,
	R-903	Resistor—Plate Load	2500 Ohms \pm 5%, Style F, Grade 1, Class 1, Wire Wound, 15 Watts.	-63758F	RE13A-372J	16			M-7409805 P35	5	2	23	5	8	R-903, R-909, R-931
	R-904	Resistor—Cathode Bias	560 Ohms \pm 5%, 1 Watt, Composition.	-63291-561	RE13A-340C	11	GB-5615		T-7610938 P58	5	1	23	2	3	R-904
	R-905	Resistor—Grid Biasing	330,000 Ohms \pm 5%, 1 Watt, Composition.	-63291-334	RE13A-340C	11	GB-3345		T-7610938 P59	5	1	23	3	5	R-905, R-906
	R-906	Resistor—Grid Biasing	Same as R-905.	-63291-334											
	R-907	Resistor—Grid	Same as R-901.	-63291-103											
	R-908	Resistor—Grid	Same as R-902.	-63291-224											
	R-909	Resistor—Plate Load Dividing	Same as R-903.	-63758F											
	R-910	Resistor—Plate Load Dividing	4000 Ohms \pm 5%, Style F, Class 1, Grade 1, 15 Watts, Wire Wound.	-631025F	RE13A-372J	16			M-7409805 P37	5	1	23	3	5	R-910, R-941
	R-911	Resistor—Cathode Bias	56,000 Ohms \pm 5%, 1 Watt, Composition.	-63291-563	RE13A-340C	11	GB-5635		T-7610938 P65	5	1	23	3	5	R-911, R-930
	R-912	Resistor—Screen Series	50,000 Ohms \pm 5%, 1 Watt, Composition.	-63291-503	RE13A-340C	11	GB-5035		T-7610938 P66	5	1	23	3	5	R-912, R-913
	R-913	Resistor—Screen Series	Same as R-912.	-63291-503											

8-134

ORIGINAL

SECTION 8

NAVSHIPS 900,946

PARTS AND SPARE PARTS LIST

ORIGINAL

R-914	Resistor—Bias Divider	Same as R-901.	-63291-103																		
R-915	Not Used																				
R-916	Resistor—Grid	82,000 Ohms \pm 5%, 1 Watt, Composition.	-63291-832	RE13A-340C	11	GB-8235	T-7610938 P70	5	1	23	2	3								R-916	
R-917	Resistor—Trigger Delay Potentiometer	200,000 Ohms, Potentiometer.	-632636-10		11	J	M-7411468 P1	5	1	23	3	5									R-917
R-918	Resistor—Grid	390,000 Ohms \pm 5%, 1 Watt, Composition.	-63291-394	RE13A-340C	11	GB-3945	T-7610938 P72	5	1	23	2	3									R-918
R-919	Resistor—Grid	100,000 Ohms \pm 5%, 1 Watt, Composition.	-63291-104	RE13A-340C	11	GB-1045	T-7610939 P73	5	3	23	12	20									R-919, R-922, R-924, R-926, R-935, R-936, R-942, R-943
R-920	Resistor—Cathode Bias	Same as R-910.	-63291-103																		
R-921	Resistor—Cathode Bias	4700 Ohms \pm 5%, 1 Watt, Composition.	-63291-472	RE13A-340C	11	GB-4725	T-7610939 P75	5	1	23	2	3									R-921
R-922	Resistor—Grid	Same as R-919.	-63291-104																		
R-923	Resistor—Cathode Bias	Same as R-901.	-63291-103																		
R-924	Resistor—Grid	Same as R-919.	-63291-104																		
R-925	Resistor—Plate Load	6800 Ohms \pm 5%, 1 Watt, Composition.	-63291-682	RE13A-340C	11	GB-6825	T-7610939 P79	5	1	23	3	5									R-925, R-929
R-926	Resistor—Grid	Same as R-919.	-63291-104																		
R-927	Resistor—Cathode Bias	22,000 Ohms \pm 5%, 1 Watt, Composition.	-63291-223	RE13A-340C	11	GB-2235	T-7610939 P81	5	1	23	3	5									R-927, R-940
R-928	Resistor—Grid Biasing	200,000 Ohms \pm 5%, 1 Watt, Composition.	-63291-204	RE13A-340C	11	GB-2045	T-7610939 P82	5	1	23	2	3									R-928
R-929	Resistor—Plate Load	Same as R-925.	-63291-682																		
R-930	Resistor—Grid	Same as R-911.	-63291-563																		
R-931	Resistor—Bias	Same as R-903.	-63758F																		
R-932	Resistor—Neon Bulb Series	120,000 Ohms \pm 5%, 1 Watt, Composition.	-63291-124	RE13A-340C	11	GB-1245	T-7610939 P86	5	1	23	3	5									R-932, R-933

PARTS AND SPARE PARTS LIST

NAVSHIPS 900/946

SECTION 8

8-135

TABLE 8-2 (Continued)

COMBINED PARTS AND SPARE PARTS LIST BY SYMBOL DESIGNATION

FOR NAVY MODELS SR AND SR-a RADAR EQUIPMENTS

See Notes	Symbol Desig.	Function	Description	Navy Type Number	Navy Spec. or Drawing Number	Mfr.	Mfr. Desig.	Special Tol. Rating or Modification	Contractor's Drawing and Part Number	Equip.		Tender		All Symbol Designations Involved
										Box Number	Quantity	Box Number	Quantity	
	I. F. F. COORDINATOR CAY-23AEV (Continued)													
	R-933	Resistor—Neon Bulb Series	Same as R-932.	-63291-124										
	R-934	Resistor—I.F.F. Receiver Gain Control	Dual Potentiometer. Section 1—1800 Ohms, Tap at 400 Ohms, 3 Terminals. Section 2—Not Below 15,000 Ohms Max. Resistance, No Upper Limit Two Terminals.	-631997-10		11	Hazeltine Dwg. PT. 1013 A		T-7610939 P88	5	1	23	3	5 R-934
	R-935	Resistor—Screen Series	Same as R-919.	-63291-104										
	R-936	Resistor—Screen Series	Same as R-919.	-63291-104										
	R-937	Resistor—Grid	100 Ohms \pm 5%, $\frac{1}{2}$ Watt, Com-position.	-63355-101		11	EB-1015		T-7610939 P91	5	2	23	5	8 R-937 to R-939
	R-938	Resistor—Grid	Same as R-937.	-63355-101										
	R-939	Resistor—Grid	Same as R-937.	-63355-101										
	R-940	Resistor—Cathode Bias	Same as R-927.	-63291-223										
	R-941	Resistor—Plate Load	Same as R-910.	-631025F										
	R-942	Resistor—Screen Series	Same as R-919.	-63291-104										
	R-943	Resistor—Screen Series	Same as R-919.	-63291-104										
	R-944	Resistor—Bias Adj.	25,000 Ohms, Potentiometer.	-634727-10		11	Type J		T-7611594 P9	5	1	23	3	5 R-944
	S-901	Switch—I.F.F. On-Off	Five Section Switch.	-24995		15			P-7707082 P10	5	1	23	1	1 S-901

ORIGINAL

S-902	Switch—Echo Suppression	D.P.S.T.	-24001		10			P-7708223 P4	5	1	23	1	1	S-902
† S-903	Switch—Overload Reset	D.P.S.T.	-24493		10	80630		T-7613365 P106	5	1	23	1	1	S-903
T-901	Power Transformer	143 Va., Single Phase, 60 Cycle. Primary—115 Volts, 1.3 Amps. Secondary—770 Volts, C.T., 159 MA.; 6.3 Volts, 6.5 Amps.; 5 Volts 3 Amps.	-301165	13A553B	1	R1318		T-7610939 P101	5	1	23	2	3	T-901
V-901	Switch Tube	Video Power Amplifier Pentode, Octal Base, Heater 6.3 Volts, 0.65 Amp. A.C.	-6AG7		6	6AG7	Jan 1 A	T-7610939 P105	14	4	24	6	0	V-901, V-902
V-902	Switch Tube	Same as V-901.	-6AG7											
V-903	I.F.F. Trigger Output Tube	Twin Triode Amplifier, Octal Base, Heater 6.3 Volts, 0.6 Amp. A.C.	-6SN7GT		6	6SN-7GT	Jan 1 A	T-7610939 P107	14	6	24	9	0	V-903, V-904, V-905
V-904	Range Scope Output Tube	Same as V-903.	-6SN7GT											
V-905	Relay Tube	Same as V-903.	-6SN7GT											
V-906	Rectifier Tube	Full Wave, High Vacuum Rectifier, Octal Base, Heater 5.0 Volts, 3 Amps. A.C.	-5U4G		6	5U4G	Jan 1 A	T-7610939 P110	14	2	24	3	0	V-906
X-901	Socket for V-901	Octal.	-49374	RE49AA-312A	36	9661 MIP-8TM		T-7610939 P115	5	3	23	3	6	X-901 to X-906
X-902	Socket for V-902	Same as X-901.	-49374											
X-903	Socket for V-903	Same as X-901.	-49374											
X-904	Socket for V-904	Same as X-901.	-49374											
X-905	Socket for V-905	Same as X-901.	-49374											
X-906	Socket for V-906	Same as X-901.	-49374											
INDICATOR CONSOLE CASES CAY-46ADJ AND CAY-46ADJ-1														
E-1001	Terminal Board— for Receiver Control and I.F.F.	External Connection.			21	#17-142		T-7613087 P1		0	23	1	2	E-1001, E-1003
† Supplied in Units Serial 176 and up.														

8-137

PARTS AND SPARE PARTS LIST

NAVSHIPS 900,946

SECTION 8

8-138

TABLE 8-2 (Continued)

COMBINED PARTS AND SPARE PARTS LIST BY SYMBOL DESIGNATION

FOR NAVY MODELS SR AND SR-a RADAR EQUIPMENTS

8 SECTION

See Notes	Symbol Desig.	Function	Description	Navy Type Number	Navy Spec. or Drawing Number	Mfr.	Mfr. Desig.	Special Tol. Rating or Modification	Contractor's Drawing and Part Number	Equip.		Tender		All Symbol Designations Involved
										Box Number	Quantity	Box Number	Quantity	
INDICATOR CONSOLE CASES CAY-46ADJ AND CAY-46ADJ-1 (Continued)														
	E-1001A	Marking Strip— for Receiver Control and I.F.F.	For E-1001.			1			M-7411112 P1	0	23	1	1	E-1001A
	E-1002	Terminal Board— for Receiver Control and I.F.F.	External Connection.			21	# 14-142		T-7613087 P3	0	23	1	2	E-1002, E-1004
	E-1002A	Marking Strip— for Receiver Control and I.F.F.	For E-1002.			1			M-7414576 P1	0	23	1	1	E-1002A
	E-1003	Terminal Board— for Receiver Control and I.F.F.	Same as E-1001.											
	E-1003A	Marking Strip— for Receiver Control and I.F.F.	For E-1003.			1			M-7411110 P1	0	23	1	1	E-1003A
	E-1004	Terminal Board— for Receiver Control and I.F.F.	Same as E-1002.											
	E-1004A	Marking Strip— for Receiver Control and I.F.F.	For E-1004.			1			M-7414577 P1	0	23	1	1	E-1004A
	E-1005	Terminal Board— for Receiver Control and I.F.F.	External Connection.			21	# 5-142		T-7613087 P9	0	23	1	1	E-1005
	E-1005A	Marking Strip— for Receiver Control and I.F.F.	For E-1005,			1			M-7414575 P1	0	23	1	1	E-1005A
	E-1006	Terminal Board— for P.P.I. Indicator	External Connection.			21	# 17-142		T-7613087 P11	0	23	1	2	E-1006, E-1007

NAVSHIPS 900,946

PARTS AND SPARE PARTS LIST

ORIGINAL

ORIGINAL

E-1006A	Marking Strip— for P.P.I. Indicator	For E-1006.		1		M-7411998 P1	0 23	1	1	E-1006A
E-1007	Terminal Board— for P.P.I. Indicator	Same as E-1006.								
E-1007A	Marking Strip— for P.P.I. Indicator	For E-1007.		1		M-7411997 P1	0 23	1	1	E-1007A
E-1008	Terminal Board— for Range Scope and Bearing Indicator	External Connection.		21	#17- 142	T-7613087 P15	0 23	1	2	E-1008, E-1010
E-1008A	Marking Strip— for Range Scope and Bearing Indicator	For E-1008.		1		M-7412634 P1	0 23	1	1	E-1008A
4 E-1008B	Marking Strip— for Range Scope and Bearing Indicator	For E-1008.		1		M-7417966 P1	0 23	1	1	E-1008B
E-1009	Terminal Board— for Range Scope and Bearing Indicator	External Connections.		21	#6-142	T-7613087 P17	0 23	1	2	E-1009, E-1011
E-1009A	Marking Strip— for Range Scope and Bearing Indicator	For E-1009.		1		M-7414547 P1	0 23	1	1	E-1009A
E-1010	Terminal Board— for Range Scope and Bearing Indicator	Same as E-1008.								
E-1010A	Marking Strip— for Range Scope and Bearing Indicator	For E-1010.		1		M-7412636 P1	0 23	1	1	E-1010A
E-1011	Terminal Board— for Range Scope and Bearing Indicator	Same as E-1009.								

4 Tender and Stock Spares used on Units Serials 201 and up.

PARTS AND SPARE PARTS LIST

NAVSHIPS 900,946

SECTION 8

TABLE 8-2 (Continued)

COMBINED PARTS AND SPARE PARTS LIST BY SYMBOL DESIGNATION

FOR NAVY MODELS SR AND SR-a RADAR EQUIPMENTS

See Notes	Symbol Desig.	Function	Description	Navy Type Number	Navy Spec. or Drawing Number	Mfr.	Mfr. Desig.	Special Tol. Rating or Modification	Contractor's Drawing and Part Number	Equip.		Tender		All Symbol Designations Involved	
										Box Number	Quantity	Box Number	Quantity		Stock
	INDICATOR CONSOLE CASES CAY-46ADJ AND CAY-46ADJ-1 (Continued)														
	E-1011A	Marking Strip— for Range Scope and Bearing Indicator	For E-1011.			1			M-7414548 P1	0	23	1	1	E-1011A	
	F-1001A	Fuse—for Receiver Control and I.F.F.	2 Amperes, 250 Volts.	-28032-2		4	ACM-2		T-7611189 P1	5	10	23	20	50	F-1001A
	F-1001B	Fuse Holder—for Receiver Control and I.F.F.	Fuse Holder.			4	HCM		T-7611189 P2	5	1	23	1	2	F-1001B, F-1002B
	F-1002A	Fuse—for Receiver Control and I.F.F.	3 Amperes, 250 Volts.	-28032-3		4	ACM-3		T-7611189 P3	5	10	23	20	50	E-1002A
	F-1002B	Fuse Holder—for Receiver Control and I.F.F.	Same as F-1001B.												
	F-1003A	Fuse—for P.P.I. Indicator	Same as F-1001A.	-28032-2						5	10	23	20	50	F-1003A
	F-1003B	Fuse Holder—for P.P.I. Indicator	Same as F-1001B.							5	1	23	1	2	F-1003B, F-1004B
	F-1004A	Fuse—for P.P.I. Indicator	Same as F-1002A.	-28032-3						5	10	23	20	50	F-1004A
	F-1004B	Fuse Holder—for P.P.I. Indicator	Same as F-1001B.												
	F-1005A	Fuse—for Range Scope and Bear- ing Indicator	Same as F-1001A.	-28032-2						5	10	23	20	50	F-1005A
	F-1005B	Fuse Holder—for Range Scope and Bearing Indicator	Same as F-1001B.							5	1	23	1	2	F-1005B, F-1006B

8-140

ORIGINAL

SECTION 8

NAVSHPIS 900,946

PARTS AND SPARE PARTS LIST

ORIGINAL

F-1006A	Fuse—for Range Scope and Bearing Indicator	Same as F-1002A.	-28032-3					5	10	23	20	50	F-1006A
F-1006B	Fuse Holder—for Range Scope and Bearing Indicator	Same as F-1001B.											
1	H-1001	Cover Plate—for P.P.I. Indicator	Wire Slot.		1		K-7813836 G1	0	0	1			H-1001
1	H-1002	Cover Plate—for Range Scope and Bearing Indicator	Same as H-1001.					0	0	2			H-1002
1	H-1003	Cover Plate—for Receiver Control and I.F.F.	Same as H-1001.					0	0	3			H-1003
	H-1004	Not Used											
	H-1005	Not Used											
	H-1006	Turnbutton—for P.P.I. Indicator	Interlock Shorting.		1		K-7813186 P1	0	0	1			H-1006
	H-1007	Turnbutton—for Range Scope and Bearing Indicator	Same as H-1006.					0	0	2			H-1007
	H1-008	Turnbutton—for Receiver Control and I.F.F.	Same as H-1006.					0	0	3			H-1008
	H-1009	Not Used											
	H-1010	Not Used											
	H-1011	Shoulder Screw—for P.P.I. Indicator	Turnbutton.		1		K-7813185 P1	0	0	1			H-1011
	H-1012	Shoulder Screw—for Range Scope and Bearing Indicator	Same as H-1011.					0	0	2			H-1012
	H-1013	Shoulder Screw—for Receiver Control and I.F.F.	Same as H-1011.					0	0	3			H-1013
	H-1014	Not Used											
1 Used on Units Serials 1 to 200.													

PARTS AND SPARE PARTS LIST

NAVSHIPS 900,946

SECTION 8

TABLE 8-2 (Continued)

COMBINED PARTS AND SPARE PARTS LIST BY SYMBOL DESIGNATION

FOR NAVY MODELS SR AND SR-a RADAR EQUIPMENTS

See Notes	Symbol Desig.	Function	Description	Navy Type Number	Navy Spec. or Drawing Number	Mfr.	Mfr. Desig.	Special Tol. Rating or Modification	Contractor's Drawing and Part Number	Equip.		Tender		All Symbol Designations Involved	
										Box Number	Quantity	Box Number	Quantity		Stock
	INDICATOR CONSOLE CASES CAY-46ADJ AND CAY-46ADJ-1 (Continued)														
	H-1015	Not Used													
	H-1016	Washer—for P.P.I. Indicator	Turnbutton Spring.			1			K-7813187 P1	0	0	1		H-1016	
	H-1017	Washer—for Range Scope and Bearing Indicator	Same as H-1016.							0	0	1		H-1017	
	H-1018	Washer—for Receiver Control and I.F.F.	Same as H-1016.							0	0	3		H-1018	
	H-1019	Not Used													
	H-1020	Not Used													
2	H-1021	Cover Plate—for P.P.I. Indicator	Wire Slot.			1			M-7419093 G1	0	0	1		H-1021	
2	H-1022	Cover Plate—for Range Scope and Bearing Indicator	Same as H-1021.							0	0	2		H-1022	
2	H-1023	Cover Plate—for Receiver Control and I.F.F.	Same as H-1021.							0	0	3		H-1023	
	J-1001A	Receptacle—for P.P.I. Indicator Soldering Iron	Outlet, 115 Volt Type.	-49683		61			M-7411947 P1	5	1	23	1	2	J-1001A
	J-1002	I.F. Input—for Receiver Control and I.F.F.	Coax. Jack Assy.	UG-281/U*		1			P-7714074 G2	0	0	0		J-1002	
	J-1002A	I.F. Input—for Receiver Control and I.F.F.	Coaxial Plug Assy.	-49268		38			T-7611189 P18	5	1	23	1	2	J-1002A

8-142

8 SECTION

NAVSHIPS 900,946

PARTS AND SPARE PARTS LIST

ORIGINAL

ORIGINAL

J-1003	I.F. Input for J-701	Coaxial Plug Assy.	-491459	1		P-7714074 G3	0	0	0	J-1003	
O-1001	Latch—for P.P.I. Indicator	R.H.		1		P-7710529 G1	0	23	1	O-1001.	
O-1002	Latch—for Range Scope and Bearing Indicator	Same as O-1001.					0	23	2	O-1002	
O-1003	Latch for Receiver Control and I.F.F.	Same as O-1001.					0	23	2	O-1003	
O-1004 to O-1011	Not Used										
O-1012	Latch for P.P.I. Indicator	L.H.		1		P-7710522 G1	0	23	1	O-1012	
O-1013	Latch for Range Scope and Bearing Indicator	Same as O-1012.					0	23	2	O-1013	
O-1014	Latch for Receiver Control and I.F.F.	Same as O-1012.					0	23	2	O-1014	
O-1015 to O-1022	Not Used										
O-1023	Spring—for P.P.I. Indicator	Fastener Spring.		60	S6-250	T-7613088 P95	0	23	6	O-1023	
O-1024	Spring—for Range Scope and Bearing Indicator	Same as O-1023.					0	23	6	O-1024	
O-1025	Spring—for Receiver Control and I.F.F.	Same as O-1023.					0	23	6	O-1025	
O-1026 to O-1028	Not Used										
O-1029	Plug—for P.P.I. Indicator			52	# 1526	T-7613088 P101	0	23	2	O-1029	
O-1030	Gasket—for P.P.I. Indicator			1		M-7412553 P1	5	1	23	2	O-1030

* Used on Units Serials 201 and up.

* For replacement use.

PARTS AND SPARE PARTS LIST

NAVSHIPS 900,946

SECTION 8

8-143

8-144

TABLE 8-2 (Continued)

COMBINED PARTS AND SPARE PARTS LIST BY SYMBOL DESIGNATION

FOR NAVY MODELS SR AND SR-a RADAR EQUIPMENTS

8 SECTION

See Notes	Symbol Desig.	Function	Description	Navy Type Number	Navy Spec. or Drawing Number	Mfr.	Mfr. Desig.	Special Tol. Rating or Modification	Contractor's Drawing and Part Number	Equip.		Tender		All Symbol Designations Involved	
										Box Number	Quantity	Box Number	Quantity		Stock
INDICATOR CONSOLE CASES CAY-46ADJ AND CAY-46ADJ-1 (Continued)															
	O-1031	Gasket—for P.P.I. Indicator				1			K-7814348 P58	5	2	23	4	8	O-1031
	O-1032	Gasket—for P.P.I. Indicator				1			P-7711514 P1	5	2	23	4	8	O-1032
	O-1033	Gasket—for P.P.I. Indicator				1			M-7412919 P1	5	2	23	4	8	O-1033
	O-1034	Plug—for Range Scope and Bearing Indicator				52	# 1526		T-7613088 P106		0	23	2	2	O-1034
	O-1035	Plug—for Receiver Control and I.F.F.				52	# 1526		T-7613088 P107		0	23	2	2	O-1035
	O-1036	Not Used													
	O-1037	Not Used													
	O-1038	Board—for Receiver Control and I.F.F.	Resistor.			1			M-7412665 G1		0		0	2	O-1038
	R-1001	Resistor—Terminating Synchronizing Pulse Out for Receiver Control and I.F.F.	200 Ohms ±5%, ½ Watt, Composition.	-63355-201	RE13A-340C	11	EB-2015		T-7611189 P22	5	2	23	6	10	R-1001 to R-1004
	R-1002	Resistor—Terminating Synchronizing Pulse Out for Receiver Control and I.F.F.	Same as R-1001.	-63355-201											

NAVSHIPS 900,946

PARTS AND SPARE PARTS LIST

ORIGINAL

ORIGINAL

R-1003	Resistor—Terminating Synchronizing Pulse Out for Receiver Control and I.F.F.	Same as R-1001.	-63355-201																	
R-1004	Resistor—Terminating Synchronizing Pulse Out for Receiver Control and I.F.F.	Same as R-1001.	-63355-301																	
R-1005	Not Used																			
R-1006	Not Used																			
R-1007	Resistor—Terminating Synchronizing Pulse for P.P.I. Indicator	68 Ohms ±10%, ½ Watt, Composition.	-63360-680	RE13A-340C	11			T-7611189 P28	5	1	23	3	5	R-1007, R-1008						
R-1008	Resistor—Terminating Video for P.P.I. Indicator	Same as R-1007.	-63360-680																	
S-1001	Interlock—Console Receiver	Microswitch.	-24178	AN-QQ-S-91	13	YZ-RQ1		T-7611189 P63	5	1	23	2	3	S-1001, S-1002, S-1003						
S-1002	Interlock—General Control	Same as S-1001.	-24178																	
S-1003	Interlock—I.F.F. Unit	Same as S-1001.	-24178																	
S-1004	Interlock—P.P.I. Unit	Same as S-1001.	-24178	AN-QQ-S-91					5	1	23	1	1	S-1004						
S-1005	Interlock—Bearing Indicator	Same as S-1001.	-24178	AN-QQ-S-91					5	1	23	1	2	S-1005, S-1006						
S-1006	Interlock—Range Scope	Same as S-1001.	-24178																	
S-1007	Not Used																			
S-1008	Switch—Terminating	Toggle, D.P.S.T.	ST50K		24	8822-K-5		T-7611189 P40	5	1	23	1	1	S-1008						
S-1009	Not Used																			
S-1010A	Circuit Breaker—P.P.I. Heater	Breaker Manual Sentinel, D.P.	-29423		1	Type H S#831-320		T-7611189 P42	5	1	23	1	1	S-1010A						

8-145

PARTS AND SPARE PARTS LIST

NAVSHIPS 900,946

SECTION 8

8-146

SECTION 8

TABLE 8-2 (Continued)
COMBINED PARTS AND SPARE PARTS LIST BY SYMBOL DESIGNATION

FOR NAVY MODELS SR AND SR-a RADAR EQUIPMENTS

See Notes	Symbol Desig.	Function	Description	Navy Type Number	Navy Spec. or Drawing Number	Mfr.	Mfr. Desig.	Special Tol. Rating or Modification	Contractor's Drawing and Part Number	Equip.		Tender		All Symbol Designations Involved	
										Box Number	Quantity	Box Number	Quantity		Stock
INDICATOR CONSOLE CASES CAY-46ADJ AND CAY-46ADJ-1 (Continued)															
	S-1010B	Heater	Heater, Thermal, for S-1010A, 10.9 Amps.			1	S # 831-317		T-7611189 P43	5	1	23	3	5	S-1010B
	W-1001	Cable—I.F. Input	Coaxial Cable, Plug and Jack.			1			P-7714074 G1	5	1	23	1	2	W-1001
	W-1002	Wire Spares Consisting of 15 Feet of each of the following:				1			M-7416961 G1		1		1	1	W-1002
		Wire	# 20 (10 x .010) White.												
		Wire	# 20 (10 x .010) White-Black Tracer.												
		Wire	# 20 (10 x .010) White-Red Tracer.												
		Wire	# 20 (10 x .010) White-Blue Tracer.												
		Wire	# 20 (10 x .010) White-Brown Tracer.												
		Wire	# 20 (10 x .010) White-Green Tracer.												
		Wire	# 20 (10 x .010) White-Yellow Tracer.												
		Wire	# 20 (10 x .010) White-Orange Tracer.												
		Wire	# 16 (26 of .010) White-Red Tracer.												
		Wire	# 14 Tinned Copper Buss.												
		Wire	# 16 (26 of .010).												
		Wire	# 16 (26 of .010).												
		Cable	Solid Dielectric.	RG58/U											

NAVSHIPS 900,946

PARTS AND SPARE PARTS LIST

ORIGINAL

ORIGINAL

8-147

	Cable	Solid Dielectric.	RG8/U											
	Cable	12 Conductor.												
	Cable	4 Conductor.												
	Cable	2 Conductor.	-62043											
ROTATION CONTROL UNIT CAY-50AEB AND CAY-50AGE														
B-1101A	Blower and Motor	Special 7 $\frac{3}{8}$ " Dia., Ventura Motor 1/12 H.P., 3450 R.P.M., 115 V., 1 Phase, 60 Cycle.	-211571		53	K 108- 40		T-7611797 P1	8	1	0	0		B-1101A
B-1101B	Motor for B-1101-A	1/12 H.P., 3450 R.P.M., 115 V., 1 Phase, 60 Cycle.	-211766		2			T-7611797 P2		0	9	2	3	B-1101B
C-1101	Capacitor—By-Pass	1.0 MFD. \pm 5%, 500 V.D.C.W., Paper.	-48553-5	RE13A- 488D	7	9CE- 6A4		T-7611797 P6	8	2	10	6	10	C-1101, C-1105 C-1106, C-1107
C-1102	Capacitor—Anti Hunt	10.0 MFD. \pm 10%, 600 V.D.C.W., Oil Filled.	-482533-10	RE13A- 488D	1	S # 131- 8745	No Feet	T-7611797 P7	8	1	10	2	3	C-1102
C-1103	Capacitor—By-Pass	.1 MFD. \pm 5%, 600 V.D.C.W., Oil Filled, Paper.	-483962-5	RE13A- 488D	47	Type 630		T-7611797 P8	8	1	10	3	5	C-1103, C-1104
C-1104	Capacitor—By-Pass	Same as C-1103.	-483962-5											
C-1105	Capacitor—By-Pass	Same as C-1101.	-48553-5											
C-1106	Capacitor—By-Pass	Same as C-1101.	-48553-5											
C-1107	Capacitor—High Freq. Feedback	Same as C-1101.	-48553-5											
CR-1101	Rectox—Field Supply	Bridge Rectifier, 50 Discs., 15 Volts, 0.2 Amp.	-20523		1	S # 135- 8118		P-7711804 P1	8	1	9	1	2	CR-1101, CR-1103
CR-1102	Rectox—Armature Supply	Bridge Rectifier, 80 Discs., 35 Volts, 0.4 Amp.	-20524		1	S # 135- 8119		P-7711805 P1	8	1	9	1	2	CR-1102, CR-1104
CR-1103	Rectox—Field Supply	Same as CR-1101.	-20523											
CR-1104	Rectox—Armature Supply	Same as CR-1102.	-20524											
E-1101	Terminal Board	Case Connection.			21	# 14- 142		T-7613161 P1		0	10	1	2	E-1101, E-1102

PARTS AND SPARE PARTS LIST

NAVSHIPS 900,946

SECTION 8

8-148

Declassified and Approved For Release 2013/11/21 : CIA-RDP67B00341R000800100001-1

TABLE 8-2 (Continued)

COMBINED PARTS AND SPARE PARTS LIST BY SYMBOL DESIGNATION

FOR NAVY MODELS SR AND SR-a RADAR EQUIPMENTS

SECTION 8

NAVSHPIS 900,946

PARTS AND SPARE PARTS LIST

See Notes	Symbol Desig.	Function	Description	Navy Type Number	Navy Spec. or Drawing Number	Mfr.	Mfr. Desig.	Special Tol. Rating or Modification	Contractor's Drawing and Part Number	Equip.		Tender		All Symbol Designations Involved
										Box Number	Quantity	Box Number	Quantity	
ROTATION CONTROL UNIT CAY-50AEB AND CAY-50AGE (Continued)														
	E-1101A	Marking Strip	For E-1101.			1			M-7414605 P1	0	10	1	1	E-1101A
	E-1102	Terminal Board	Same as E-1101.											
	E-1102A	Marking Strip	For E-1102.			1			M-7414604 P1	0	10	1	1	E-1102A
4	E-1102B	Marking Strip	For E-1102.			1			M-7417914 P1	0	10	1	1	E-1102B
	E-1103	Terminal Board	Case Connection.			21			T-7613161 P5	0	10	2	4	E-1103, E-1104, E-1105, E-1106
	E-1103A	Marking Strip	For E-1103.			1			M-7414603 P1	0	10	1	1	E-1103A
4	E-1103B	Marking Strip	For E-1103.			1			M-7417917 P1	0	10	1	1	E-1103B
	E-1104	Terminal Board	Same as E-1103.											
	E-1104A	Marking Strip	For E-1104.			1			M-7414602 P1	0	10	1	1	E-1104A
4	E-1104B	Marking Strip	For E-1104.			1			M-7417916 P1	0	10	1	1	E-1104B
	E-1105	Terminal Board	Same as E-1103.											
	E-1105A	Marking Strip	For E-1105.			1			M-7414601 P1	0	10	1	1	E-1105A
	E-1106	Terminal Board	Same as E-1103.											
	E-1106A	Marking Strip	For E-1106.			1			M-7414600 P1	0	10	1	1	E-1106A
4	E-1106B	Marking Strip	For E-1106.			1			M-7417915 P1	0	10	1	1	E-1106B
	E-1107	Terminal Board	Case Connection.			21	# 10-142		T-7613161 P13	0	10	1	2	E-1107, E-1108
	E-1107A	Marking Strip	For E-1107.			1			M-7414599 P1	0	10	1	1	E-1107A
	E-1108	Terminal Board	Same as E-1107.											
	E-1108A	Marking Strip	For E-1108.			1			M-7414598 P1	0	10	1	1	E-1108A

ORIGINAL

Declassified and Approved For Release 2013/11/21 : CIA-RDP67B00341R000800100001-1

ORIGINAL

4	E-1108B	Marking Strip	For E-1108.			1		M-7417918 P1	0	10	1	1	E-1108B	
	E-1109	Resistor—Mtg. Insulator	Moldarta Insulator 1" Lg. x 3/4" Sq. # 10-32 Tap 3/16" Deep Both Ends.	-611085		1		P-7708566 P3	0	10	1	2	E-1109	
	E-1112	Not Used												
	E-1113	Not Used												
	E-1114	Support Insulator	Rectox.			1		M-7414510 P1	0	10	1	1	E-1114	
	E-1115	Support Insulator	Rectox.			1		M-7414509 P1	0	10	1	1	E-1115	
	F-1101A	Fuse—Amplifier Power	3 Amps., 250 Volts.	-28032-3		31	3AG-1043	T-7611797 P18	8	10	10	20	50	F-1101A
	F-1101B	Fuse Holder for F-1101A	Fuse Holder.			4	HCM	T-7611797 P19	8	1	10	2	5	F-1101B, F-1102B, F-1103B, F-1104, F-1105
	F-1102A	Fuse—Synchrotie	8 Amps., 250 Volts.	-28032-8		31	3AG-1360	T-7611797 P20	8	20	10	40	100	F-1102A, F-1103A
	F-1102B	Fuse Holder for F-1102A	Same as F-1101B.											
	F-1103A	Fuse—Rectifier Supply	Same as F-1102A.	-28032-8										
	F-1103B	Fuse Holder for F-1103A.	Same as F-1101B.											
	F-1104	Fuse Holder for Spare, 3 Amps.	Same as F-1101B.											
	F-1105	Fuse Holder for Spare, 8 Amps.	Same as F-1101B.											
	H-1101	Thumb Screw	Panel.			1		M-7411291 P1	0	0	0	8	H-1101, H-1102	
	H-1102	Thumb Screw	Same as H-1101.											
	H-1103	Handle	Unit Pull.			1		M-7411034 P1	0	0	0	4	H-1103, H-1104	
	H-1104	Handle	Same as H-1103.											
	H-1105	Guard	Switch Guard.			1		K-7816855 P1	0	0	0	1	H-1105	
	H-1106	Guard	Switch Guard.			1		K-7816856 P1	0	0	0	1	H-1106	
	H-1107	Spring	Fastener.			6	S6-250	T-7613161 P33	0	0	0	6	H-1107	

4 Tender and Stock Spares used on Unit Serials 201 and up.

PARTS AND SPARE PARTS LIST

NAVSHIPS 900,946

SECTION 8

8-149

TABLE 8-2 (Continued)

COMBINED PARTS AND SPARE PARTS LIST BY SYMBOL DESIGNATION

FOR NAVY MODELS SR AND SR-a RADAR EQUIPMENTS

See Notes	Symbol Desig.	Function	Description	Navy Type Number	Navy Spec. or Drawing Number	Mfr.	Mfr. Desig.	Special Tol. Rating or Modification	Contractor's Drawing and Part Number	Equip.		Tender		All Symbol Designations Involved	
										Box Number	Quantity	Box Number	Quantity		Stock
ROTATION CONTROL UNIT CAY-50AEB AND CAY-50AGE (Continued)															
	H-1108	Lock	Potentiometer Shaft Lock.			49	# 100-61		T-7613161 P34		0	0	1	H-1108	
	H-1109	Clamp	Cable Clamp.			1			M-7411437 G2		0	0	2	H-1109	
	H-1110	Clip	Resistor Clip.			1			M-7403088 P1	8	1	10	1	2	H-1110
	I-1101A	Lamp Fuse Alarm for F-1101A	1/25 Watt Neon Bulb, Bayonet, Switch Board Base.	VG-13		1	NE-15		T-7611797 P36	8	6	10	12	18	I-1101A, I-1102A, I-1103A
	I-1101B	Lamp Receptacle for F-1101A	Bayonet Base Socket, with Black Rubber Washer.			5	PLN-844-NE-15-H		T-7611797 P37	8	2	10	3	5	I-1101B, I-1102B, I-1103B
†	I-1101C	Lamp Lens for I-1101B	Clear.			1	S# 822-270		T-7611797 P38	8	2	10	3	5	I-1101C, I-1102C, I-1103C
	I-1102A	Lamp Fuse Alarm for F-1102A	Same as I-1101A.	VG-13											
	I-1102B	Lamp Receptacle for I-1102A	Same as I-1101B.												
†	I-1102C	Lamp Lens for I-1102B	Same as I-1101C.												
	I-1103A	Lamp Fuse Alarm for I-1103A	Same as I-1101A.	VG-13											
	I-1103B	Lamp Receptacle for I-1103A	Same as I-1101B.												
	I-1103C	Lamp Lens for I-1103B	Same as I-1101C.												
	I-1104A	Lamp Main Power Indicating	6-8 V., Bayonet Base.	TS-53		1	Mazda 47		T-7611797 P45	8	2	10	4	6	I-1104A

8-150

SECTION 8

NAVSHPIS 900,946

PARTS AND SPARE PARTS LIST

ORIGINAL

ORIGINAL

I-1104B	Lamp Receptacle for I-1104A	Bayonet Base.		5	Red Lens DV77-SA	T-7611797 P46	8	1	10	1	1	I-1104B
J-1101	Jack Grid Test V-1101A	Tip Jack.	-49961	18 37	781P 521	T-7611797 P59	8	3	10	5	10	J-1101, J-1102, J-1103, J-1106, J-1107
J-1102	Jack Grid Test for V-1102	Same as J-1101.	-49961									
J-1103	Jack Grid Test for V-1103	Same as J-1101.	-49961									
J-1104	Anode Clip	Plate Connector.		23	Cat. # 24	T-7611797 P63	8	1	10	2	4	J-1104, J-1105
J-1105	Anode Clip	Same as J-1104.										
J-1106	Jack Field Voltage Test	Same as J-1101.	-49961									
J-1107	Jack Grid Test	Same as J-1101.	-49961									
K-1101	Contacto Rectifier	2 Poles, Normally Open Plus Normally Open Interlock, 115 V., 60 Cycle.	-291138	11		T-7611798 P73		0		0	12	K-1101, K-1102, K-1103, K-1104, K-1105, K-1106
K-1101E	Contact—Movable	Spare.		11		T-7611798 P75	8	3	10	9	15	K-1101E
K-1101F	Contact—Stationary	Spare.		11		T-7611798 P76	8	3	10	9	15	K-1101F
K-1101G	Coil	Spare.		11		T-7611798 P74	8	3	10	9	15	K-1101G
K-1101H	Rear Contact—Stationary	Spare.		11	X-35-163	T-7611798 P86	8	3	10	9	15	K-1101H
K-1101J	Moving Contact Spring	Spare.		11	B-101-40	T-7611798 P87	8	3	10	9	15	K-1101J
K-1102	Contacto—Normal E.M.	Same as K-1101.	-291138									
K-1103	Contacto—Servo Gen.	Same as K-1101.	-291138									
K-1104	Contacto—Normal E.M.	Same as K-1101.	-291138									

† To be used on Units Serials 1 to 25 incl.

PARTS AND SPARE PARTS LIST

NAVSHIPS 900,946

SECTION 8

8-151

TABLE 8-2 (Continued)

COMBINED PARTS AND SPARE PARTS LIST BY SYMBOL DESIGNATION

FOR NAVY MODELS SR AND SR-2 RADAR EQUIPMENTS

See Notes	Symbol Desig.	Function	Description	Navy Type Number	Navy Spec. or Drawing Number	Mfr.	Mfr. Desig.	Special Tol. Rating or Modification	Contractor's Drawing and Part Number	Equip.		Tender		All Symbol Designations Involved	
										Box Number	Quantity	Box Number	Quantity		Stock
	ROTATION CONTROL UNIT CAY-50AEB AND CAY-50AGE (Continued)														
	K-1105	Contacto— Normal E.M.	Same as K-1101.	-291138											
	K-1106	Contacto— Normal E.M.	Same as K-1101.	-291138											
	K-1107	Contacto— Armature O.L.	Overload Relay, Double Pole.	-29423		1	Type H S#831- 320		T-7611798 P82	0	0	5		K-1107, K-1108	
	K-1107A	Heater for K-1107	2.7 Amp. Heater.			1	S#831- 306		T-7611798 P84	8	1	10	3	5	K-1107A
	K-1108	Contacto— Servo-Gen.	Same as K-1107.	-29423											
	K-1108A	Heater for K-1108	14.2 Amp. Heater.			1	S#831- 319		T-7611798 P85	8	1	10	3	5	K-1108A
	O-1101	Clamp for V-1101	Tube Clamp.			1			T-7611463 G31	8	1	10	1	1	O-1101
	O-1102	Clamp for V-1102 V-1103, V-1104	Tube Clamp.			1			T-7611463 G1	8	1	10	1	1	O-1102
	O-1103	Clamp	2 1/4" Can.			1			M-7411804 G1		0	10	1	1	O-1103
	O-1104	Clamp	"U" Condenser.			1			M-7412270 G1		0	10	1	1	O-1104
	O-1105	Not Used													
	O-1106	Shockmount				25	# 102- P-3	Al. Alloy Anod- ized Finish	T-7613161 P48	8	2	10	9	18	O-1106, O-1107
	O-1107	Shockmount	Same as O-1106.												
	O-1108	Not Used													
	O-1109	Not Used													

8-152

ORIGINAL

SECTION 8

NAVSHIPS 900,946

PARTS AND SPARE PARTS LIST

ORIGINAL

O-1110	Grommet	Lead Thru.			52	# 546	T-7613161 P52		0	10	3	3	O-1110
O-1111	Grommet	Lead Thru.			52	#97-1355	T-7613161 P53		0	10	2	2	O-1111
O-1112	Not Used												
O-1113	Not Used												
O-1114	Not Used												
O-1115	Gasket	11" Lg. Extruded Rubber Channel, Die # 1201, Compound M-80706A.			27		T-7613161 P58	8	2	10	4	8	O-1115
O-1116	Gasket				1		M-7412919 P1	8	2	10	4	8	O-1116
O-1117	Gasket				1		P-7711514 P1	8	2	10	4	8	O-1117
O-1118	Not Used												
O-1119	Not Used												
O-1120	Latch	L.H.			1		P-7711522 G1		0	10	2	2	O-1120
O-1121	Latch	R.H.			1		P-7710529 G1		0	10	2	2	O-1121
O-1122	Cover Plate	Lead.			1		K-7813836 G1		0	10	2	2	O-1122
O-1123	Allen Wrench	For 1/4-20 Screw.			75		T-7613161 P66	8	1	10	1	2	O-1123
R-1101	Resistor—Fuse Alarm Series	120,000 Ohms \pm 10%, 1 Watt, Composition.	-63288-124	RE13A-340C	11	GB-1241	T-7611798 P94	8	3	10	8	13	R-1101, R-1102, R-1103, R-1104, R-1105
R-1102	Resistor—Fuse Alarm Series	Same as R-1101.	-63288-124										
R-1103	Resistor—Fuse Alarm Series	Same as R-1101.	-63288-124										
R-1104	Resistor—Grid	Same as R-1101.	-63288-124										
R-1105	Resistor—Grid	Same as R-1101.	-63288-124										
R-1106	Resistor—Grid	1,000 Ohms \pm 10%, 1 Watt, Composition.	-63288-102	RE13A-340C	11	GB-1021	T-7611798 P99	8	3	10	9	15	R-1106, R-1107, R-1116, R-1117, R-1123, R-1124
R-1107	Resistor—Grid	Same as R-1106.	-63288-102										
R-1108	Resistor—Plate Load	51,000 Ohms \pm 10%, 1 Watt, Composition.	-63288-513	RE13A-340C	11	GB-5131	T-7611798 P101	8	1	10	3	5	R-1108, R-1109
R-1109	Resistor—Plate Load	Same as R-1108.	-63288-513										

8-153

PARTS AND SPARE PARTS LIST

NAVSHIPS 900,946

SECTION 8

8-154

Declassified and Approved For Release 2013/11/21 : CIA-RDP67B00341R000800100001-1

TABLE 8-2 (Continued)

COMBINED PARTS AND SPARE PARTS LIST BY SYMBOL DESIGNATION

FOR NAVY MODELS SR AND SR-a RADAR EQUIPMENTS

See Notes	Symbol Desig.	Function	Description	Navy Type Number	Navy Spec. or Drawing Number	Mfr.	Mfr. Desig.	Special Tol. Rating or Modification	Contractor's Drawing and Part Number	Equip.		Tender		Stock	All Symbol Designations Involved
										Box Number	Quantity	Box Number	Quantity		
ROTATION CONTROL UNIT CAY-50AEB AND CAY-50AGE (Continued)															
	R-1110	Resistor—Grid	22,000 Ohms \pm 10%, 1 Watt, Composition.	-63288-223	RE13A-340C	11	GB-2231		T-7611798 P103	8	1	10	3	5	R-1110, R-1111
	R-1111	Resistor—Grid	Same as R-1110.	-63288-223											
	R-1112	Resistor—Cathode	200 Ohms, Potentiometer.	-634594-10		11	Type J per Dwg. Y-54-88D BA-1038	10% Linear Taper	T-7611798 P105	8	1	10	3	5	R-1112
	R-1113	Potentiometer	10,000 Ohms.	-633187-10		11			T-7611594 P11	8	1	10	6	10	R-1113, R-1118
	R-1114	Resistor—Screen	10,000 Ohms \pm 10%, 1 Watt, Composition.	-63288-103	RE13A-340C	11	GB-1031		T-7611798 P107	8	1	10	6	10	R-1114, R-1115, R-1121, R-1122
	R-1115	Resistor—Screen	Same as R-1114.	-63288-103											
	R-1116	Resistor—Cathode	Same as R-1106.	-63288-102											
	R-1117	Resistor—Anti-Hunt Series	Same as R-1106.	-63288-102											
	R-1118	Resistor—Anti-Hunt Series	Same as R-1113.	-633187-10											
	R-1119	Resistor—Anti-Parasite	100 Ohms \pm 10%, 1 Watt, Composition.	-63288-101	RE13A-340C	11	GB-1011		T-7611798 P112	8	1	10	3	5	R-1119, R-1120
	R-1120	Resistor—Anti-Parasite	Same as R-1119.	-63288-101											
	R-1121	Resistor—Input Series	Same as R-1114.	-63288-103											
	R-1122	Resistor—Anti-Hunt Series	Same as R-1114.	-63288-103											

ORIGINAL

SECTION 8

NAVSHPIS 900,946

PARTS AND SPARE PARTS LIST

Declassified and Approved For Release 2013/11/21 : CIA-RDP67B00341R000800100001-1

ORIGINAL

R-1123	Resistor—Feed Back	Same as R-1106.	-63288-102																
R-1124	Resistor—Feed Back	Same as R-1106.	-63288-102																
R-1125	Resistor—Field Shunting	100,000 Ohms ± 5%, 20 Watts Wire Wound.	-63016F	RE13A-372J	16	Type 20F	T-7611798 P91	8	1	10	3	5						R-1125	
S-1101	Switch—Main Power	D.P.S.T., 10 Amps.	ST50K		24	8822-K5	T-7611798 P121	8	1	10	1	1						S-1101	
S-1102	Switch—Interlock	S.P.S.T., Normally Open.	-24178		13	YZ-RQ1	T-7611798 P122	8	1	10	1	2						S-1102, S-1103	
S-1103	Switch—Interlock	Same as S-1102.	-24178																
S-1104	Switch—Remote P.P.I. Disconnect	8 S.P.S.T., 10 Amps., 110 Volts, Toggle Type.	-24999		15		P-7707082 P11	8	1	10	1	1						S-1104	
S-1105	Switch—True Relative Bearing	8 S.P.S.T., 2 Amps., 110 Volts, Toggle Type.	-24996		15		P-7707082 P13	8	1	10	1	1						S-1105	
T-1101	Transformer—Amplifier Power	60.8 A.V., Single Phase, 60 Cycle, Pri. 115 V.; S1—300 V., 55 Ma., Tap 35 V., 7 Ma.; S2—6.3 V., 1.8 A.; S3—6.3 V., 1.2 A.; S4—6.3V., 4 A.	-303502	RE13A-553B	1	R-1443	T-7611798 P128	8	1	9	2	3						T-1101	
T-1102	Transformer—Relative Brg.	55 Va., 110/78 Volts, 60 Cycle. Wdg. Turns Wire Res. Sec. 1 165 #20 .695 Sec. 2 415 #22 3.68 Test 1500 V., 60 Cycle.	-303387		1		L-423159	8	1	10	2	3						T-1102	
T-1103	Transformer—Input	55/110/110 Volts, 3 V.A. Wdg. Turns Size Res. Volts Pri. 3000 #38E 455 55 S1 6000 #41E 2740 110 S2 6000 #41E 3010 110 Test 1500 V., 60 Cycle.	-303386		1		L-423155	8	1	10	2	3						T-1103	
T-1104	Transformer—Rectifier	379 Va., Single Phase, 60 Cycle. Primary—115 Volts; S1—315 Volts, 0.13 Amp, Tap 300 Volts; S2—260 Volts, 1.3 Amps., 240 Volts Tap.	-303503	RE13A-553B	1	R-1442	T-7611798 P131	8	0	10	1	1						T-1104	
T-1105	Transformer—Field Supply	68 Va., Single Phase, 115/660-330/5.0 Volts, 60 Cycle. Wdg. Turns Size Res. Volts Amps. Pri. 235 #22 2.3 115 S1 1380 #29 78 660 .080 C.T. S2 11 #16 0.033 5 3 C.T. Test 2000 Volts, 60 Cycle.	-303385	RE13A-553B	1		L-426506	8	1	9	2	3						T-1105	

PARTS AND SPARE PARTS LIST

NAVSHIPS 900,946

SECTION 8

8-155

Declassified and Approved For Release 2013/11/21 : CIA-RDP67B00341R000800100001-1

TABLE 8-2 (Continued)

COMBINED PARTS AND SPARE PARTS LIST BY SYMBOL DESIGNATION

FOR NAVY MODELS SR AND SR-a RADAR EQUIPMENTS

See Notes	Symbol Desig.	Function	Description	Navy Type Number	Navy Spec. or Drawing Number	Mfr.	Mfr. Desig.	Special Tol. Rating or Modification	Contractor's Drawing and Part Number	Equip.		Tender		Stock	All Symbol Designations Involved
										Box Number	Quantity	Box Number	Quantity		
ROTATION CONTROL UNIT CAY-50AEB AND CAY-50AGE (Continued)															
	V-1101	Vacuum Tube Amplifier	Twin Triode, Intermediate Shell Octal, 8 Pin Base, Filament Current 0.6 Amp. at 6.3 Volts.	-6SL7-GT		6	6SL7-GT		T-7611798 P134	12	2	26	3	0	V-1101
	V-1102	Vacuum Tube Output	Transmitting Beam Power Amplifier, Medium 5 Pin Base, Heater 6.3 Volts, 0.9 Amp.	-807		74	807		T-7611798 P135	12	4	26	6	0	V-1102, V-1103
	V-1103	Vacuum Tube Output	Same as V-1102.	-807											
	V-1104	Vacuum Tube Field Rectifier	Full Wave, High Vacuum Rectifier, Med. Shell, Octal 5 Pin Base, Heater 3 Amps. at 5 Volts.	-5U4G		6	5U4G		T-7611798 P137	12	2	26	3	0	V-1104
	X-1101	Socket for V-1101	Octal.	-49374		18	MIP-8TM		T-7611798 P138	8	1	10	1	2	X-1101, X-1104
	X-1102	Socket for V-1102	5 Pin Medium.	-49375		18	MIP-5TM		T-7611798 P139	8	1	10	1	2	X-1102, X-1103
	X-1103	Socket for V-1103	Same as X-1102.	-49375											
	X-1104	Socket for V-1104	Same as X-1101.	-49374											
SERVO GENERATOR CAY-211192 AND CAY-211192A															
1	C-1201	Capacitor—Starting	320-360 MFD., 110 V.A.C. Working, Electrolytic.	-482404		1			11-D-3186-1	11	2	17	3	3	C-1201
1	C-1202	Capacitor—Generator	.5 MFD. ±10%, 600 V.D.C. Working, Paper.	CP50BIFF 504K		1			11-D-3188-1	11	1	17	2	2	C-1202
1	C-1203	Capacitor—Exciter	.10 MFD. ±10%, 400 V.D.C. Working, Paper.	-483961-10		1			11-D-3187-1	11	1	17	2	2	C-1203
2	C-1221	Capacitor—Starting	320-360; 110 V.A.C. Working, Electrolytic.	-482404		1			9-D-5820 It. 2	11	2	17	3	3	C-1221

ORIGINAL

2	C-1222	Capacitor—Generator	.5 MFD. ±10%, 600 V.D.C. Working, Paper.	-483967-10	1		7-D-8541 It. 2	11	1	17	2	2	C-1222	
2	C-1223	Capacitor—Exciter	0.10 MFD. ±10% 400 D.C. Working, Paper.	-483966-10	1		11-D-3239 It. 1	11	1	17	2	2	C-1223	
1	E-1201	Generator & Exciter Armature	220 Volts, 1.82 Amps. D.C.		1	Assy. # 2	7-A-5743	11	1	17	1	2	E-1201	
1	E-1202	Generator Main Field Coils	2 Shunt Coils Separately Excited.		1	Assy. # 1	7-B-8686	11	1	17	2	4	E-1202	
1	E-1203	Generator Interpole Coils	2 Interpole Coils Series Connected.		1	Assy. # 1	7-B-8685	11	1	17	2	4	E-1203	
1	E-1204	Exciter Main Field Coils	2 Shunt Coils Self Excited.		1	Assy. # 3	9-B-5326	11	1	17	2	4	E-1204	
1	E-1205	Exciter Interpole Field Coils	2 Interpole Coils Series Connected.		1	Assy. # 1	1-C-9257	11	1	17	2	4	E-1205	
1	E-1206	Generator Brushes	Carbon, Grade WA10U Stackpole.		1		5-D-4201 P4	11	10	17	20	40	E-1206	
1	E-1207	Exciter Brushes	Carbon, Grade WA20B Stackpole.		1		4-D-8258-7	11	10	17	20	40	E-1207	
1	E-1208	Generator—Brush Holder & Cap	Cartridge Type Holder with Insulated Cap.		1	Assy. # 1	11-D-3191	11	2	17	8	12	E-1208	
1	E-1209	Exciter Brush Holder and Cap	Cartridge Type Holder with Insulated Cap.		1	Assy. # 2	11-D-3191	11	2	17	8	12	E-1209	
1	E-1210	Terminal Strip	Micarta Terminal Marking Strip for 12 Terminal Board.		1		4-C-2379 It. 1		0		0	0	E-1210	
2	E-1221	Generator and Exciter Armature	220 Volts, 1.82 Amps. D.C.		1	Assy. # 1	7-A-5904	11	1	17	1	2	E-1221	
2	E-1222	Generator Main Field Coils	2 Shunt Coils Separately Excited.		1	Assy. # 1	7-B-8686	11	1	17	2	4	E-1222	
2	E-1223	Generator Interpole Coils	2 Interpole Coil Series Connected.		1	Assy. # 1	9-B-5354	11	1	17	2	4	E-1223	
2	E-1224	Exciter Main Field Coils	2 Shunt Coils Self Excited.		1	Assy. # 1	4-C-2395	11	1	17	2	4	E-1224	
2	E-1225	Exciter Interpole Field Coils	2 Interpole Coils Series Connected.		1	Assy. # 1	4-C-2397	11	1	17	2	4	E-1225	
2	E-1226	Generator Brushes	Carbon, Grade WA10U Stackpole.		1		11-D-3264 It. 1	11	10	17	20	40	E-1226	
1 Used on Units Serials 1 to 200.					2 Used on Units Serials 201 and up.									

8-157

PARTS AND SPARE PARTS LIST

NAVSHIPS 900,946

SECTION 8

8-158

TABLE 8-2 (Continued)

COMBINED PARTS AND SPARE PARTS LIST BY SYMBOL DESIGNATION

FOR NAVY MODELS SR AND SR-a RADAR EQUIPMENTS

SECTION 8

See Notes	Symbol Desig.	Function	Description	Navy Type Number	Navy Spec. or Drawing Number	Mfr.	Mfr. Desig.	Special Tol. Rating or Modification	Contractor's Drawing and Part Number	Equip.		Tender		All Symbol Designations Involved	
										Box Number	Quantity	Box Number	Quantity		Stock
SERVO GENERATOR CAY-211192 AND CAY-211192A (Continued)															
2	E-1227	Exciter Brushes	Carbon, Grade WA20B Stackpole.			1			11-D-3264 It. 2	11	10	17	20	40	E-1227
2	E-1228	Generator—Brush Holder and Cap	Cartridge Type Holder with Insulated Cap.			1		Assy. # 3	11-D-3191	11	2	17	8	12	E-1228
2	E-1229	Exciter—Brush Holder and Cap	Cartridge Type Holder with Insulated Cap.			1		Assy. # 2	11-D-3191	11	2	17	8	12	E-1229
1	O-1201	Generator and Motor Bearing				1	S # 987-716		54-D-205	11	1	17	3	3	O-1201
1	O-1202	Exciter Bearing				1	S # 987-085		62-D-72	11	1	17	1	1	O-1202
1	O-1203	Flexible Coupling				1		Assy. # 2	9-B-5355		0	17	1	1	O-1203
2	O-1221	Center Bearing				1	S # 118-8529		3-C-6645	11	1	17	2	2	O-1221
2	O-1222	Motor Bearing				1	S # 118-8517		3-C-6644	11	1	17	1	1	O-1222
2	O-1223	Flexible Coupling				1		Assy. # 2	9-B-5355		0	17	1	1	O-1223
2	O-1224	Exciter Bearing				1	S # 118-8502		3-C-6643	11	1	17	1	1	O-1224
1	R-1201	Generator Field Resistor	60 Ohms, 25 Watts.	-634703-F10		1			11-D-3190 P1	11	1	17	3	5	R-1201
2	R-1221	Generator Field Resistor	60 Ohms, 25 Watts.	-634703-F10		1			11-D-3251	11	1	17	3	5	R-1221
1	S-1201A	Stator Starting Switch	30 Amps., 3 Contacts—Only 1 Movable and 1 Stationary Contact Used.	-24389		1	S # 887-441		22-A-156	11	1	17	1	1	S-1201A
1	S-1201B	Rotor Starting Switch	A Part of S-1201A.			1	S # 887-198		97-B-666	11	1	17	1	1	S-1201B

ORIGINAL

NAVSHIPS 900,946

PARTS AND SPARE PARTS LIST

ORIGINAL

2	S-1221A	Stator Starting Switch	Same as S-1201A.	-24389		1	S#887-441	22-A-156	11	1	17	1	1	S-1221A
2	S-1221B	Rotor Starting Switch	A Part of S-1221A.			1	S#887-198	97-B-666	11	1	17	1	1	S-1221B
ANTENNA PEDESTAL CAJS-21ACP AND CAJS-21ADD														
2	B-1301	High Speed Diff. Gen. 36:1	Type 6DG, MKV. Diff. Generator.	MKV, 6DG	Spec. O.S. No. 671	Δ		T-7611852 P13		1		4	6	B-1301, B-1302
2	B-1302	Low Speed Diff. Gen. 1:1	Same as B-1301.	MKV, 6DG										
†	B-1303	Antenna Drive Motor	D.C. Motor ½ H.P., 3450 R.P.M., 250 V. Arm. 300 V. Field, Sep. Ex., Shunt Winding.	-211179		7	5BC46-AB857	T-7611852 P1		0		0	0	B-1303
†	B-1303A	Armature	Armature for B-1303.			7		T-7611852 P2	9	1	14	1	2	B-1303A
†	B-1303B	Set of Field Coils	2 Main and 2 Commutating Field Coils (Complete Set) for B-1303.			7		T-7611852 P3	9	1	12	2	4	B-1303B
†	B-1303C	Set of Brushes	Sets of Brushes with Springs for B-1303 (2 per Set).			7		T-7611852 P4	9	8	12	15	24	B-1303C
†	B-1303D	Set of Brush Holders	Set of Brush Holders with Cap 589-8031 AA2 for B-1303.			7		T-7611852 P5	9	2	12	4	6	B-1303D
†	B-1303E	Bearings	Bearings for Armature B-1303.			78		T-7611852 P6	9	2	12	4	6	B-1303E
†	B-1303F	Shaft Seal	Shaft Oil Seal, Garlock, for B-1303.			79		T-7611852 P7	9	1	14	2	4	B-1303F
XX	B-1306	Antenna Drive Motor	D.C. Motor, ½ H.P., 3450 R.P.M., 250 V. Armature, 300 V. Field, Separately Excited, Shunt Winding.	-211432		92	A-90-388	T-7611852 P55		0		0	0	B-1306
XX	B-1306A	Armature	Armature for B-1306.			92	C-650-66	T-7611852 P56	9	1	14	1	2	B-1306A
XX	B-1306B	Set of Field Coils	2 Main Coils and 2 Interpole Field Coils WI-3368 (Complete Set) for B-1306.			92		T-7611852 P57	9	1	12	2	4	B-1306B
XX	B-1306C	Brushes	Brushes with Springs for B-1306 Assembly # 5013.			92		T-7611852 P58	9	20	12	45	64	B-1306C
XX	B-1306D	Brush Holders	Brush Holders D-5723 with Brush Holder Cap D-3688 for B-1306.			92		T-7611852 P59	9	4	12	8	12	B-1306D

1 Used on Units Serials 1 to 200.
2 Used on Units Serials 201 and up.

Δ To be furnished by U. S. Navy.
† Used on early models.

XX Used on later models.

PARTS AND SPARE PARTS LIST

NAVSHIPS 900,946

SECTION 8

TABLE 8-2 (Continued)

COMBINED PARTS AND SPARE PARTS LIST BY SYMBOL DESIGNATION

FOR NAVY MODELS SR AND SR-a RADAR EQUIPMENTS

See Notes	Symbol Desig.	Function	Description	Navy Type Number	Navy Spec. or Drawing Number	Mfr.	Mfr. Desig.	Special Tol. Rating or Modification	Contractor's Drawing and Part Number	Equip.		Tender		All Symbol Designations Involved	
										Box Number	Quantity	Box Number	Quantity		Stock
	ANTENNA PEDESTAL CAJS-21ACP AND CAJS-21ADD (Continued)														
XX	B-1306E	Bearings	Bearings N.D. 77503 for Armature B-1306.			78			T-7611852 P60	9	2	12	4	12	B-1306E
XX	B-1306F	Shaft Seal Strip	Shaft Oil Seal, # 4733, for B-1306.			92			T-7611852 P61	9	1	14	2	4	B-1306F
	E-1301A	Identification Strip	For E-1301.			82	# 22248		M-7415134 P27	9	1	14	1	2	E-1301A
	E-1302A	Identification Strip	For E-1302.			82	# 22244		M-7415134 P23	9	1	12	1	2	E-1302A
	E-1303A	Identification Strip	For E-1303.			82	# 22245		M-7415134 P24	9	1	12	1	2	E-1303A
	E-1304A	Identification Strip	For E-1304.			82	# 22246		M-7415134 P25	9	1	12	1	2	E-1304A
	E-1305A	Identification Strip	For E-1305.			82	# 22247		M-7415134 P26	9	1	12	1	2	E-1305A
	E-1306	Insulator	Bushing.			82	# 22306		M-7415134 P20	0	0	0	0	0	E-1306
	E-1307A	Identification Strip	For E-1307.			82	# 22249		M-7415134 P29	9	1	12	1	2	E-1307A
	E-1308A	Identification Strip	For E-1308.			82	# 22250		M-7415134 P28	9	1	12	1	2	E-1308A
	H-1301	Screw	10-32 x 3/4 Fil. Hd. Screw.			82	# 2931		M-7415134 P50	0	0	0	16	0	H-1301
	H-1302	Screw	10-32 x 7/8 Fil. Hd. Screw.			82	# 22702		M-7415134 P51	0	0	0	34	0	H-1302
	H-1303	Lockwasher	# 10 Lockwasher.			82	# 2706		M-7415134 P54	0	0	0	94	0	H-1303
	H-1304	Screw	10-32 x 1 1/8 Fil. Hd. Screw.			82	# 22708		M-7415134 P56	0	0	0	16	0	H-1304
	H-1305	Thumb Screw	10-32 Thumb Screw.			82	# 22710		M-7415134 P58	0	0	0	2	0	H-1305
	H-1306	Screw	1/4-20 x 3/4 Fil. Hd. Screw.			82	# 2711		M-7415134 P59	0	0	0	13	0	H-1306
	H-1307	Screw	1/4-20 x 1/2 Fil. Hd. Screw.			82	# 2712		M-7415134 P60	0	0	0	10	0	H-1307
	H-1308	Stud	5/8"-18 Stud.			82	# 21702		M-7415134 P61	0	0	0	0	0	H-1308
	H-1309	Lockwasher	1/4" Lockwasher.			82	# 2718		M-7415134 P64	0	0	0	30	0	H-1309

ORIGINAL

H-1310	Bolt	¼-28 Bolt.	82	# 22719	M-7415134 P65	0	0	2	H-1310
H-1311	Nut	¼-28 Cast. Nut.	82	# 22720	M-7415134 P66	0	0	4	H-1311
H-1312	Screw	¼-28 x ¾ Long Cap Screw.	82	# 22721	M-7415134 P67	0	0	3	H-1312
H-1313	Screw	¼-28 x ¾ Long Fil. Hd. Screw.	82	# 22722	M-7415134 P68	0	0	6	H-1313
H-1314	Screw	¼-28 Hex. Hd. Cone Point Screw, ½ Lg.	82	# 22724	M-7415134 P70	0	0	1	H-1314
H-1315	Screw	⅜-24 x 1⅛ Hex. Hd. Screw.	82	# 22726	M-7415134 P71	0	0	12	H-1315
H-1316	Lockwasher	⅜ Lockwasher.	82	# 22733	M-7415134 P76	0	0	41	H-1316
H-1317	Screw	⅜-24 x 1¼ Cap Screw.	82	# 22734	M-7415134 P77	0	0	6	H-1317
H-1318	Spacer	Spacer Collar.	82	# 22210	M-7415134 P78	0	0	0	H-1318
H-1319	Screw	⅜-24 x 1 Cap Screw.	82	# 22736	M-7415134 P79	0	0	10	H-1319
H-1320	Screw	⅜-24 x ⅝ Hex. Hd. Screw.	82	# 22737	M-7415134 P80	0	0	6	H-1320
H-1321	Screw	⅜-24 x 1½ Hex. Hd. Screw.	82	# 22738	M-7415134 P81	0	0	2	H-1321
H-1322	Screw	⅜-24 x 1¼ Hex. Hd. Screw.	82	# 22739	M-7415134 P82	0	0	1	H-1322
H-1323	Nut		82	# 22571	M-7415134 P84	0	0	6	H-1323
H-1324	Screw	⅜-16 x ½ Socket Head—Half Dog Point Set Screw.	82	# 2840	M-7415134 P85	0	0	1	H-1324
H-1325	Screw	⅜-16 x ⅝ Hex. Hd. Screw.	82	# 22743	M-7415134 P86	0	0	1	H-1325
H-1326	Screw	⅜-24 x 1⅛ Socket Hd. Screw.	82	# 2744	M-7415134 P87	0	0	6	H-1326
H-1327	Lockwasher	⅜ Lockwasher.	82	# 2745	M-7415134 P88	0	0	6	H-1327
H-1328	Nut	⅞-20 Cast. Nut.	82	# 2746	M-7415134 P89	0	0	4	H-1328
H-1329	Lockwasher	⅞ Lockwasher.	82	# 2747	M-7415134 P90	0	0	4	H-1329
H-1330	Cotter Pin	⅜ x 1 Cotter Pin.	82	# 2748	M-7415134 P91	0	0	4	H-1330
H-1331	Lockwasher	½ Lockwasher.	82	# 2750	M-7415134 P92	0	0	8	H-1331
H-1332	Lockwasher	⅜ Lockwasher.	82	# 2751	M-7415134 P93	0	0	6	H-1332
H-1333	Nut	⅜-16 Cast. Nut.	82	# 2752	M-7415134 P94	0	0	6	H-1333
H-1334	Nut	Curved Nut.	82	# 22607	M-7415134 P95	0	0	0	H-1334

XX Used on later models.

PARTS AND SPARE PARTS LIST

NAVSHIPS 900,946

SECTION 8

8-161

TABLE 8-2 (Continued)

COMBINED PARTS AND SPARE PARTS LIST BY SYMBOL DESIGNATION

FOR NAVY MODELS SR AND SR-a RADAR EQUIPMENTS

See Notes	Symbol Desig.	Function	Description	Navy Type Number	Navy Spec. or Drawing Number	Mfr.	Mfr. Desig.	Special Tol. Rating or Modification	Contractor's Drawing and Part Number	Equip.		Tender		All Symbol Designations Involved
										Box Number	Quantity	Box Number	Quantity	
ANTENNA PEDESTAL CAJS-21ACP AND CAJS-21ADD (Continued)														
	H-1335	Dowel	5/8-11 Screw Dowel.			82	# 22754		M-7415134 P96		0	0	1	H-1335
	H-1336	Cotter Pin	1/8 x 1 1/2 Cotter Pin.			82	# 2755		M-7415134 P97		0	0	7	H-1336
	H-1337	Screw	6-32 x 3/8 Bind. Hd. Screw.			82	# 2756		M-7415134 P98		0	0	12	H-1337
	H-1338	Cotter Pin	3/4 x 3/16 Cotter Pin.			82	# 2758		M-7415134 P99		0	0	2	H-1338
	H-1339	Nut	10-32 Cast. Nut.			82	# 2759		M-7415134 P100		0	0	2	H-1339
	H-1340	Nut	10-32 Hex. Nut, Brass.			82	# 2750		M-7415134 P101		0	0	12	H-1340
	H-1341	Washer	# 10 Flat Washer, Brass.			82	# 2761		M-7415134 P102		0	0	12	H-1341
	H-1342	Screw	10-32 x 1" Lg. Fil. Hd. Screw.			82	# 22762		M-7415134 P103		0	0	22	H-1342
	H-1343	Screw	6-32 x 7/8 Bind. Hd. Screw.			82	# 2763		M-7415134 P104		0	0	8	H-1343
	H-1344	Screw	8-32 x 3/4 Fil. Hd. Screw.			82	# 2764		M-7415134 P105		0	0	23	H-1344
	H-1345	Screw	8-32 x 3/8 Fil. Hd. Screw.			82	# 2765		M-7415134 P106		0	0	7	H-1345
	H-1346	Lockwasher	# 8 Lockwasher.			82	# 2766		M-7415134 P107		0	0	16	H-1346
	H-1347	Lockwasher	# 6 Lockwasher.			82	# 2769		M-7415134 P108		0	0	30	H-1347
	H-1348	Washer	3/16 Flat Washer.			82	# 22770		M-7415134 P109		0	0	19	H-1348
	H-1349	Washer	1/16 Flat Washer.			82	# 22771		M-7415134 P110		0	0	4	H-1349
	H-1350	Pin	2/0 x 3/4 Taper Pin.			82	# 2772		M-7415134 P111		0	0	6	H-1350
	H-1351	Nut	3/16-18 Hex. Jam Nut.			82	# 2773		M-7415134 P112		0	0	2	H-1351
	H-1352	Screw	1/4-20 x 3/8 Hex. Hd. Screw.			82	# 2912		M-7415134 P132		0	0	2	H-1352
	H-1353	Screw	1/4-20 x 3/4 Sock. Hd. Cap Screw.			82	# 2810		M-7415134 P135		0	0	6	H-1353
	H-1354	Screw	3/8-16 x 1/2 Socket Hd. Cup Point Set Screw.			82	# 2841		M-7415134 P136		0	0	1	H-1354

ORIGINAL

H-1355	Pin	Pin for Eccentric Shaft.		82	# 22212	M-7415134 P161	0	0	0	H-1355		
H-1356	Screw	$\frac{5}{16}$ -18 x $\frac{5}{8}$ Fil. Hd. Screw.		82	# 2813	M-7415134 P162	0	0	4	H-1356		
H-1357	Hinge Pin			82	# 22814	M-7415134 P163	0	0	4	H-1357		
H-1358	Nut	$\frac{7}{8}$ -14 Shear Nut.		82	# 2815	M-7415134 P164	0	0	1	H-1358		
H-1359	Bolt	$\frac{5}{16}$ -18 Eye Bolt		82	# 22815	M-7415134 P165	0	0	2	H-1359		
H-1360	Screw	$\frac{5}{16}$ -24 x $1\frac{15}{16}$ Hex. Hd. Screw.		82	# 22817	M-7415134 P166	0	0	3	H-1360		
H-1361	Screw	10-32 x $1\frac{19}{16}$ Hex. Hd. Screw.		82	# 22818	M-7415134 P167	0	0	20	H-1361		
H-1362	Screw	$\frac{1}{4}$ -28 x $\frac{1}{8}$ Hex. Hd. Screw.		82	# 22819	M-7415134 P168	0	0	16	H-1362		
H-1363	Screw	$\frac{5}{16}$ -24 x $\frac{7}{8}$ Hex. Hd. Screw.		82	# 22820	M-7415134 P169	0	0	4	H-1363		
H-1364	Screw	$\frac{5}{16}$ -24 x $\frac{3}{4}$ Hex. Hd. Screw.		82	# 22821	M-7415134 P170	0	0	17	H-1364		
H-1365	Screw	8-32 x 1 Bind. Hd. Screw.		82	# 2914	M-7415134 P175	0	0	8	H-1365		
H-1366	Not Used											
H-1367	Nut	8-32 Hex. Nut.		82	# 2913	M-7415134 P177	0	0	2	H-1367		
H-1368	Screw	10-32 x $\frac{5}{8}$ Fil. Hd. Screw.		82	# 22829	M-7415134 P178	0	0	36	H-1368		
H-1369	Screw	6-32 x $\frac{5}{8}$ Bind. Hd. Screw.		82	# 2830	M-7415134 P179	0	0	8	H-1369		
H-1370	Cotter Pin	$\frac{1}{16}$ x $\frac{5}{8}$ Cotter Pin.		82	# 2831	M-7415134 P180	0	0	4	H-1370		
H-1371	Screw	$\frac{1}{2}$ -20 x $1\frac{1}{4}$ Hex. Hd. Screw.		82	# 22832	M-7415134 P181	0	0	8	H-1371		
H-1372	Screw	10-32 x $1\frac{1}{8}$ Bind. Hd. Screw.		82	# 2833	M-7415134 P182	0	0	6	H-1372		
H-1373	Screw	10-32 x $1\frac{1}{8}$ Fil. Hd. Screw.		82	# 22834	M-7415134 P183	0	0	4	H-1373		
H-1374	Plug	$\frac{5}{8}$ Welch Plug.		82	# 2836	M-7415134 P184	0	0	14	H-1374		
H-1375	Plug	$\frac{1}{2}$ Welch Plug.		82	# 2837	M-7415134 P185	0	0	4	H-1375		
H-1376	Nut	Thrust Nut.		82	# 32312	M-7415134 P194	0	0	2	H-1376		
H-1377	Nut	5 In. x 16 Thd. Nut.		82	# 21586	M-7415134 P201	0	0	1	H-1377		
H-1378	Ring Screw in Post on Coaxial Tube	Ring Screw.		82	# 21692	M-7415134 P212	0	0	4	H-1378		
J-1301	Telephone Jack	2 Circuit Telephone Jack for Power Telephone.		1		T-7611852 P20	9	1	14	1	2	J-1301
J-1302	110 V. Receptacle	110 V., 60 Cycle Receptacle, 2 Wire.	-491453	81	# 7255	T-7611852 P21	9	1	12	1	2	J-1302

PARTS AND SPARE PARTS LIST

NAVSHIPS 900,946

SECTION 8

TABLE 8-2 (Continued)

COMBINED PARTS AND SPARE PARTS LIST BY SYMBOL DESIGNATION

FOR NAVY MODELS SR AND SR-a RADAR EQUIPMENTS

See Notes	Symbol Desig.	Function	Description	Navy Type Number	Navy Spec. or Drawing Number	Mfr.	Mfr. Desig.	Special Tol. Rating or Modification	Contractor's Drawing and Part Number	Equip.		Tender		All Symbol Designations Involved	
										Box Number	Quantity	Box Number	Quantity		Stock
	ANTENNA PEDESTAL CAJS-21ACP AND CAJS-21ADD (Continued)														
	J-1303	Disconnect Receptacle	Lock Type Motor Disconnect Receptacle, 4 Circuit.	For Replace-ment Use -491633		80	# 8008 (Without Cover)		T-7611852 P22	9	1	12	1	2	J-1303
	K-1301	Breaker, 110 V	D.P.D.T. Breaker Switch, 110 V., 60 Cyc. Line Sentinel Type "H".	-29423		1	Cat. # BHB-2	S # 831-320	T-7611852 P17	9	1	12	1	1	K-1301
	O-1301	Nut	Tube Nut.			82	# 21552		M-7415134 P2		0		0	4	O-1301
	O-1302	Thrust Ring	Upper.			82	# 21594		M-7415134 P4	9	1	14	2	1	O-1302
	O-1303	Synchro Arm				82	# 21604		M-7415134 P5		0	14	1	1	O-1303
	O-1304	Drive Pin				82	# 21605		M-7415134 P6		0	14	1	1	O-1304
	O-1305	Button Insert				82	# 21607		M-7415134 P7		0	14	1	1	O-1305
	O-1306	Plunger				82	# 21608		M-7415134 P8		0	14	1	1	O-1306
	O-1307	Spring	Plunger Spring.			82	# 21609		M-7415134 P9		0	14	1	1	O-1307
	O-1308	Plug	Retainer Plug.			82	# 21610		M-7415134 P10		0	14	1	1	O-1308
	O-1309	Brush				82	# 22660		M-7415134 P11	9	10	12	20	30	O-1309
	O-1310	Insulating Ring				82	# 21678		M-7415134 P12	9	1	12	1	1	O-1310
	O-1311	Lead Seal, "T"				82	# 21694		M-7415134 P13	9	1	12	2	4	O-1311
	O-1312	Lead Seal, Tube				82	# 21695		M-7415134 P14	9	1	14	2	4	O-1312
	O-1313	Gasket "T"				82	# 21696		M-7415134 P15	9	1	14	2	4	O-1313
	O-1314	Gasket, Screw				82	# 22213		M-7415134 P16	9	1	14	2	4	O-1314
	O-1315	Gasket-Hand Hole Cover				82	# 22214		M-7415134 P17	9	1	14	2	4	O-1315

ORIGINAL

	O-1316	Insulating Strip			82	# 22229	M-7415134 P18	9	2	12	3	6	O-1316
	O-1317	Insulating Strip			82	# 22230	M-7415134 P19	9	1	12	1	4	O-1317
†	O-1318	Drip Moulding			82	# 42232	M-7415134 P21	9	1	14	2	0	O-1318
	O-1319	Insulating Strip			82	# 22333	M-7415134 P22	9	1	12	2	4	O-1319
	O-1320	Gasket Ring			82	# 22303	M-7415134 P30	9	1	14	2	4	O-1320
	O-1321	Grommet	Micarta.		82	# 22305	M-7415134 P31	9	12	14	36	48	O-1321
	O-1322	Gasket, Gear Case			82	# 22504	M-7415134 P32	9	1	14	2	4	O-1322
	O-1323	Shim, 0.020			82	# 22510	M-7415134 P33	9	2	12	2	4	O-1323
	O-1324	Shim, 0.007			82	# 22511	M-7414134 P34	9	2	14	2	4	O-1324
	O-1325	Shim. .005			82	# 22512	M-7415134 P35	9	2	14	2	4	O-1325
	O-1326	Oil Seal Washer			82	# 22516	M-7415134 P36	9	1	12	1	1	O-1326
	O-1327	Gear and Shaft	12 Teeth.		82	# 22519	M-7415134 P37		0	12	1	2	O-1327
	O-1328	Oldham Coup. Floating Member			82	# 22531	M-7315134 P38	9	1	14	3	5	O-1328
	O-1329	Gasket, Terminal Box			82	# 22538	M-7415134 P39	9	1	14	2	4	O-1329
Δ	O-1330	Gasket Filler Plug			82	# 22547	M-7415134 P40	9	1	14	2	4	O-1330
	O-1331	Gasket, Motor Pedestal Junction			82	# 22548	M-7415134 P41	9	1	14	2	4	O-1331
	O-1332	Drive Key			82	# 22550	M-7415134 P42	9	2	14	4	6	O-1332
	O-1333	Gasket, Wire Manifold			82	# 22564	M-7415134 P43	9	2	14	4	8	O-1333
	O-1334	Synchro Shaft, 1:1			82	# 22612	M-7415134 P44	9	1	12	1	1	O-1334
	O-1335	Synchro Shaft, Idler			82	# 22613	M-7415134 P45	9	1	12	1	1	O-1335
	O-1336	Synchro Shaft, 36:1			82	# 22614	M-7415134 P46	9	1	12	1	1	O-1336
	O-1337	Bearing, Eccentric			82	# 22615	M-7415134 P47	9	1	12	1	1	O-1337
	O-1338	Bearing, Idler			82	# 22616	M-7415134 P48	9	1	12	1	1	O-1338

† Supplied on Units 1 to 13 incl. only.

Δ O-1330—Use # 22998 on later models.

PARTS AND SPARE PARTS LIST

NAVSHIPS 900,946

SECTION 8

TABLE 8-2 (Continued)

COMBINED PARTS AND SPARE PARTS LIST BY SYMBOL DESIGNATION

FOR NAVY MODELS SR AND SR-a RADAR EQUIPMENTS

See Notes	Symbol Desig.	Function	Description	Navy Type Number	Navy Spec. or Drawing Number	Mfr.	Mfr. Desig.	Special Tol. Rating or Modification	Contractor's Drawing and Part Number	Equip.		Tender		All Symbol Designations Involved	
										Box Number	Quantity	Box Number	Quantity		Stock
	ANTENNA PEDESTAL CAJS-21ACP AND CAJS-21ADD (Continued)														
	O-1339	Bearing, Fixed				82	# 22617		M-7415134 P49	9	1	12	1	1	O-1339
	O-1340	Insert	10-32 Insert.			82	# 22704		M-7415134 P52		0		0	62	O-1340
	O-1341	Ring	# 10 Captivating Ring.			82	# 22705		M-7415134 P53		0		0	94	O-1341
	O-1342	Insert	10-32 Insert, Right Angle			82	# 22707		M-7415134 P55		0		0	30	O-1342
	O-1343	Insert	10-32 Insert, Right Angle.			82	# 22709		M-7415134 P57		0		0	2	O-1343
	O-1344	Insert	¼-28 Insert, Blind.			82	# 22716		M-7415134 P62		0		0	16	O-1344
	O-1345	Ring	¼ Captivating Ring.			82	# 22717		M-7415134 P63		0		0	30	O-1345
	O-1346	Insert	¼-28 and ½-13 Insert Double Thd.			82	# 22723		M-7415134 P69		0		0	1	O-1346
	O-1347	Insert	⅝-24 Insert, Right Angle.			82	# 22729		M-7415134 P72		0		0	13	O-1347
	O-1348	Insert	⅝-24 Insert, Thru.			82	# 22730		M-7415134 P73		0		0	6	O-1348
	O-1349	Insert	⅝-24 Insert, Blind.			82	# 22731		M-7415134 P74		0		0	26	O-1349
	O-1350	Ring	⅝ Captivating Ring.			82	# 22732		M-7415134 P75		0		0	9	O-1350
	O-1351	Insert	⅜-24 Insert, Blind.			82	# 22740		M-7415134 P83		0		0	6	O-1351
	O-1352	Grommet	⅛" Soft Rubber Grommet.			82	# 2776		M-7415134 P113	9	12	14	12	24	O-1352
	O-1353	Key	Woodruff Key # 212.			82	# 22777		M-7415134 P114		0		0	2	O-1353
	O-1354	Washer	¼" Bendix Washer.			82	# 22778		M-7415134 P115		0		0	1	O-1354
	O-1355	Bearing	# R-12 Ball Bearing.			82	# 2781		M-7415134 P116	9	1	12	2	3	O-1355
	O-1356	Bearing	# 20206 Ball Bearing.			82	# 2782		M-7415134 P117	9	1	12	2	3	O-1356
	O-1357	Bearing	# 20306 Ball Bearing.			82	# 2783		M-7415134 P118	9	1	12	2	3	O-1357
	O-1358	Bearing	# 20204 Ball Bearing.			82	# 2784		M-7415134 P119	9	1	12	2	3	O-1358

ORIGINAL

O-1359	Locknut	# N-04 Locknut.	82	# 2785	M-7415134 P120	0	0	2	O-1359		
O-1360	Lockwasher	# W-04 Lockwasher.	82	# 2786	M-7415134 P121	0	0	2	O-1360		
O-1361	Bearing	# 203LL2 Ball Bearing.	82	# 2787	M-7415134 P122	9	1	12	2	3	O-1361
O-1362	Locknut	# N-03 Locknut.	82	# 2791	M-7415134 P123	0	0	0	2	O-1362	
O-1363	Lockwasher	# W-03 Lockwasher.	82	# 2792	M-7415134 P124	0	0	0	2	O-1363	
O-1364	Locknut	# N-01 Locknut.	82	# 2793	M-7415134 P125	0	0	0	2	O-1364	
O-1365	Lockwasher	# W-01 Lockwasher.	82	# 2794	M-7415134 P126	0	0	0	2	O-1365	
O-1366	Seal	Oil Seal, Gits DI-1500.	82	# 2797	M-7415134 P127	9	1	14	2	4	O-1366
O-1367	Shaft	Eccentric Shaft.	82	# 32209	M-7415134 P128	0	0	0	0	O-1367	
O-1368	Wick for Oiler		82	# 2799	M-7415134 P129	9	3	14	3	3	O-1368
O-1369	Wire Clamp		82	# 22085	M-7415134 P130	0	0	0	1	O-1369	
O-1370	Wire Clamp		82	# 22806	M-7415134 P131	0	0	0	4	O-1370	
O-1371	Terminal Block	Spares for E-1307.	82	# 2808	M-7415134 P133	9	1	12	1	2	O-1371
O-1372	Terminal Block	Spares for E-1301, E-1305 and E-1308.	82	# 2809	M-7415134 P134	9	2	12	3	6	O-1372
O-1373	Brush Assembly		82	# 22661	M-7415134 P137	9	50	13	100	150	O-1373
O-1374	Terminal Block	Spares for E-1302, E-1303 and E-1304.	82	# 22221	M-7415134 P138	9	2	12	3	3	O-1374
O-1375	Filler Plug		82	# 22557	M-7415134 P139	0	14	1	1	O-1375	
O-1376	Drain Plug		82	# 22558	M-7415134 P140	0	14	1	1	O-1376	
O-1377	Synchro. Driving Block		82	# 22638	M-7415134 P141	0	12	1	2	O-1377	
O-1378	Oiler	Gits., Long Tube.	82	# 22639	M-7415134 P142	0	12	2	2	O-1378	
O-1379	Oiler	Gits., Short Tube.	82	# 22640	M-7415134 P143	0	12	1	1	O-1379	
O-1380	Motor Terminal Box		82	# 32552	M-7415134 P144	0	0	0	1	O-1380	
O-1381	10 tooth pinion and Coupling Assy.		82	# 32553	M-7415134 P145	0	13	1	2	O-1381	
+ O-1382	Wire Manifold Assy.	Wire Manifold Assy. for G.E. Motor.	82	# 32554	M-7415134 P146	0	0	0	1	O-1382	

+ Use O-13220 for later models.

8-167

PARTS AND SPARE PARTS LIST

NAVSHIPS 900,946

SECTION 8

TABLE 8-2 (Continued)

COMBINED PARTS AND SPARE PARTS LIST BY SYMBOL DESIGNATION

FOR NAVY MODELS SR AND SR-a RADAR EQUIPMENTS

See Notes	Symbol Desig.	Function	Description	Navy Type Number	Navy Spec. or Drawing Number	Mfr.	Mfr. Desig.	Special Tol. Rating or Modification	Contractor's Drawing and Part Number	Equip.		Tender		All Symbol Designations Involved	
										Box Number	Quantity	Box Number	Quantity		Stock
	ANTENNA PEDESTAL CAJS-21ACP AND CAJS-21ADD (Continued)														
	O-1383	Bevel Pinion Assy.				82	# 32556		M-7415134 P147		0	13	1	2	O-1383
	O-1384	Synchromie Gear Shaft Assembly	Consists of Drive Gear, Bearing Shaft and Driving Block for 1:1 Synchro.			82	# 32635		M-7415134 P148		0	13	1	1	O-1384
	O-1385	Idler Gear Shaft Assembly				82	# 32636		M-7415134 P149		0	13	1	1	O-1385
	O-1386	Gear Shaft Assy.	Bearing, Gear under 36:1 Synchro.			82	# 32637		M-7415134 P150		0	12	1	1	O-1386
	O-1387	Synchro Drive Arm				82	# 22634		M-7415134 P151		0	14	1	1	O-1387
	O-1388	Synchro Cover	Complete Assy.			82	# 43645		M-7415134 P152		0	0	0	1	O-1388
	O-1389	Pedestal Base and Tee				82	# 42240		M-7415134 P153		0	0	0	1	O-1389
	O-1390	Main Housing Inserts				82	# 42241		M-7415134 P154		0	0	0	1	O-1390
	O-1391	Post Assembly				82	# 42320		M-7415134 P155		0	0	0	1	O-1391
	O-1392	Bevel Ring Gear				82	# 42455		M-7415134 P156		0	14	1	2	O-1392
	O-1393	Slip Ring				82	# 42457		M-7415134 P157	9	1	13	1	1	O-1393
	O-1394	Brush Block				82	# 32459		M-7415134 P158	9	1	12	1	1	O-1394
	O-1395	Intermediate Transmission Assy.				82	# 42567		M-7415134 P159		0	0	0	1	O-1395
	O-1396	Synchro Mounting Less Synchro				82	# 52601		M-7415134 P160		0	0	0	1	O-1396
	O-1397	Insert	10-32 and 3/8-16 Insert Double Thd.			82	# 22822		M-7415134 P171		0	0	0	8	O-1397
	O-1398	Insert	3/8-24 Insert Right Angle.			82	# 22823		M-7415134 P172		0	0	0	2	O-1398
	O-1399	Insert	10-32 Insert, Blind with Flat.			82	# 22824		M-7415134 P173		0	0	0	24	O-1399

ORIGINAL

	O-13201	Insert	$\frac{5}{16}$ -24 Insert, Blind.		82	# 22825	M-7415134 P174		0	0	12	O-13201	
	O-13202	Gasket, Pedestal Base			82	# 32268	M-7415134 P186	9	1	14	2	4	O-13202
†	O-13203	Gasket, Drip Moulding			82	# 31768	M-7415134 P188	9	1	14	2	0	O-13203
	O-13204	Gasket, Red-Side Cover			82	# 32293	M-7415134 P189	9	2	14	4	8	O-13204
	O-13205	Gasket, Front Face Cover			82	# 32208	M-7415134 P190	9	1	14	2	4	O-13205
	O-13206	Packing Box			82	# 32302	M-7415134 P191	9	1	13	1	2	O-13206
	O-13207	Gasket Ring, Pack Box			82	# 32304	M-7415134 P192	9	1	12	1	2	O-13207
	O-13208	Gear, Synchro Drive	180 Teeth.		82	# 32309	M-7415134 P193		0	13	1	1	O-13208
	O-13209	Gasket, Collector Housing			82	# 32428	M-7415134 P195	9	2	14	2	4	O-13209
	O-13210	Gasket, Collector Housing Cover			82	# 32431	M-7415134 P196	9	2	14	2	4	O-13210
	O-13211	Gasket, Gear Case to Main Housing			82	# 32502	M-7415134 P197	9	1	14	2	4	O-13211
	O-13212	Gasket, Motor to Gear Case			82	# 32536	M-7415134 P198	9	1	14	2	4	O-13212
	O-13213	Gasket, Synchro Insp. Cover			82	# 32629	M-7415134 P199	9	2	14	4	8	O-13213
	O-13214	Gasket, Synchro Cover to Housing			82	# 32630	M-7415134 P200	9	1	14	2	4	O-13214
	O-13215	Oldham Coupling Compound			82	# 22568	M-7415134 P202		0	14	1	1	O-13215
	O-13216	Access Cover, Screen Type			82	# 32239	M-7415134 P203		0	13	1	1	O-13216
	O-13217	Antenna Pedestal Complete Assy.			82	# 52201	M-7415134 P204		0	0	2	0	O-13217
††	O-13218	Crank Handle Assy.	For G.E. Motor.		82	# 22562	M-7415134 P205		0	12	1	2	O-13218

† To be used on Units Serials 1 to 13 inclusive only.

†† Use O-13218 on early models and O-13221 on later models.

PARTS AND SPARE PARTS LIST

NAVSHIPS 900,946

SECTION 8

8-169

TABLE 8-2 (Continued)

COMBINED PARTS AND SPARE PARTS LIST BY SYMBOL DESIGNATION

FOR NAVY MODELS SR AND SR-a RADAR EQUIPMENTS

See Notes	Symbol Desig.	Function	Description	Navy Type Number	Navy Spec. or Drawing Number	Mfr.	Mfr. Desig.	Special Tol. Rating or Modification	Contractor's Drawing and Part Number	Equip.		Tender		All Symbol Designations Involved	
										Box Number	Quantity	Box Number	Quantity		Stock
	ANTENNA PEDESTAL CAJS-21ACP AND CAJS-21ADD (Continued)														
	O-13219	Lock Assy.				82	# 32286		M-7415134 P206		0	14	1	2	O-13219
+	O-13220	Wire Manifold Assembly	For Ohio Motor.			82	# 32596		M-7415134 P213		0	0	0	1	O-13220
††	O-13221	Crank Assy.	For Ohio Motor.			92	C# 57-81		M-7415134 P214		0	12	1	2	O-13221
	O-13224	Gear	30-Tooth Pinion.			82	# 22625		M-7415134 P217		0	0	0	0	O-13224
	O-13225	Gear	180-Tooth Synchro Gear.			82	# 22623		M-7415134 P218		0	0	0	0	O-13225
	O-13226	Pinion	10-Tooth Pinion.			82	# 32529		M-7415134 P219		0	0	0	0	O-13226
	O-13227	Coupling	Pinion Half of Coupling.			82	# 22530		M-7415134 P220		0	0	0	0	O-13227
	P-1301	Motor Disconnect Plug	Lock Type Plug, Motor Disconnect, 4 Circuit.	-491464		80	# 8158 (Modified)		T-7611852 P19	9	1	12	1	2	P-1301
	R-1301	Breaker Heater 110 V.	Thermal Overload for K-1301 Rating 5 Amps.			1	Cat. # BH 51 S# 831-311		T-7611852 P18	9	1	14	2	4	R-1301
	R-1302	Not Used													
	R-1303	Heater Resistor	66 Ohms, 200 Watts, 115 Volts.	-632629-10		1			P-7713498 P1	9	2	14	6	10	R-1303, R-1304
	R-1304	Heater Resistor	Same as R-1303.	-632629-10											
	S-1301	Switch—Ship's Head Marker	Microswitch Spot.	-24336		13	# BRS		T-7611852 P51	9	1	14	1	1	S-1301
	S-1302	Heater Thermostat	220 V.D.C., 1.25 Amps. to Open at 53° C. to 57° C. and to Close at 40° C. to 45° C., Bimetallic Thermostat Type.	-40150		1	S# 102-2784		M-7406282 P4	9	1	14	2	4	S-1302
		Tool Kit	Tools.				# 2926		M-7415134 P207	9	1	12	1	2	
	POWER EQUIPMENT (CAY-211182, CAY-211188)														
1Δ	E-1401	Armature Complete	For 115 V.D.C. Motor.			1	D-9-B-2415		37-J-615		1	1	2	2	E-1401

ORIGINAL

1Δ	E-1402	Brush	For 115 V.D.C. Motor.			1 S# 126-0233	37-J-615 P22	60	120	240	E-1402
1Δ	E-1403	Brush Holder	For 115 V.D.C. Motor.			1 S# 271-775	37-J-615 P21	12	48	72	E-1403
1	E-1404	Brush Holder Spring	For 115 V.D.C. Motor.			1 S# 282-837	37-J-615 P21	18	36	108	E-1404, E-1414
1Δ	E-1405	Shunt Coil, Set	For 115 V.D.C. Motor.			1 L-424-626	37-J-615 P18	1 Set	2 Set	4 Set	E-1405
1Δ	E-1406	Series Coil, Set	For 115 V.D.C. Motor.			1 L-426-626	37-J-615 P19	1 Set	2 Set	4 Set	E-1406
1Δ	E-1407	Commutating Coil, Set	For 115 V.D.C. Motor.			1	D-316913	1 Set	2 Set	4 Set	E-1407
1	E-1408A	Washer	For Brush Rigging Insulation.			1 S# 135-790	37-J-615	8	16	24	E-1408A, E-1418A
1	E-1408B	Tube	For Brush Rigging Insulation.			1 S# 130-855	37-J-615	4	8	12	E-1408B, E-1418B
1	E-1408C	Cement #611	For Brush Rigging Insulation.			1	37-J-615	1 can	2 can	3 can	E-1408C, E-1418C
1	E-1409A	Governor Spring	For Overspeed Device.			1 S# 167-029	37-J-613	1	3	9	E-1409A, E-1419A
1	E-1409B	Switch Spring	For Overspeed Device.			1 S# 167-040	37-J-613	1	3	9	E-1409B, E-1419B
1	E-1409C	Switch Spring	For Overspeed Device.			1 S# 199-197	37-J-613	1	3	9	E-1409C, E-1419C
1	E-1409D	Contact Assembly Moving	For Overspeed Device.			1 6-B-8583	37-J-613	1	2	2	E-1409D, E-1419D
1	E-1409E	Contact Assembly -Stationary	For Overspeed Device.			1 S# 532-256	37-J-613	2	8	8	E-1409E, E-1419E
1	E-1410	Not Used									
1†	E-1411	Armature Complete	For 230 V.D.C. Motor.			1 9-B-2416	37-J-614	1	1	2	E-1411
1†	E-1412	Brush	For 230 V.D.C. Motor.			1 S# 126-0230	37-J-614 P22	40	80	160	E-1412

+ Use O-1382 on early models.
 Δ Supplied for 115 V.D.C. installation only.

†† Use O-13218 on early models and O-13221 on later models.
 † Supplied for 230 V.D.C. installation only.

1 Supplied on Units 1 to 200.

PARTS AND SPARE PARTS LIST

NAVSHIPS 900,946

SECTION 8

TABLE 8-2 (Continued)

COMBINED PARTS AND SPARE PARTS LIST BY SYMBOL DESIGNATION

FOR NAVY MODELS SR AND SR-a RADAR EQUIPMENTS

See Notes	Symbol Desig.	Function	Description	Navy Type Number	Navy Spec. or Drawing Number	Mfr.	Mfr. Desig.	Special Tol. Rating or Modification	Contractor's Drawing and Part Number	Equip.		Tender		All Symbol Designations Involved
										Box Number	Quantity	Box Number	Quantity	
	POWER EQUIPMENT (CAY-211182, CAY-211188) (Continued)													
1†	E-1413	Brush Holder	For 230 V.D.C. Motor.				1 S# 271-773		37-J-614 P21		8	32	48	E-1413
1	E-1414	Brush Holder Spring	Same as E-1404.											
1†	E-1415	Shunt Coil, Set	For 230 V.D.C. Motor.				1 L-424-625		37-J-614 P18		1 Set	2 Set	4 Set	E-1415
1†	E-1416	Series Coil, Set	For 230 V.D.C. Motor.				1 L-424-625		37-J-614 P19		1 Set	2 Set	4 Set	E-1416
1†	E-1417	Commutating Coil, Set	For 230 V.D.C. Motor.				1 L-256-348		37-J-614 P20		1 Set	2 Set	4 Set	E-1417
1	E-1418A	Washer	Same as E-1408A.											
1	E-1418B	Tube	Same as E-1408B.											
1	E-1418C	Cement #611	Same as E-1408C.											
1	E-1419A	Governor Spring	Same as E-1409A.											
1	E-1498B	Switch Spring	Same as E-1409B.											
1	E-1419C	Switch Spring	Same as E-1409C.											
1	E-1419D	Contact Assy.—Moving	Same as E-1409D.											
1	E-1419E	Contact Assy.—Stationary	Same as E-1409E.											
	E-1420	Not Used												
1Δ	E-1421	Rotor Complete	For 115 V.A.C. Generator.				1 15-A-7798		37-J-645		1	1	2	E-1421
1Δ	E-1422	Brushes	For 115 V.A.C. Generator.				1 S# 777-889		37-J-645 P18		20	40	80	E-1422

8-172

ORIGINAL

8 SECTION

NAVSHIPS 900,946

PARTS AND SPARE PARTS LIST

ORIGINAL

1	△	E-1423	Brush Holder	For 115 V.A.C. Generator.			1	S # 884-027	37-J-645 P17	2	8	12	E-1423
1	△	E-1424	Brush Holder Springs	For 115 V.A.C. Generator.			1	S # 444-435	37-J-645 P17	8	12	36	E-1424
1	△	E-1425	Stator Coils	For 115 V.A.C. Generator.			1	L-424-638	37-J-645 P28	32	64	128	E-1425
1	△	E-1426A	Stator Slot Insulation Slot Cells	6 3/4 Lg. x 6 x .011 Thick, Fishpaper.			1	L-426-438	37-J-645	48	96	192	E-1426A
1	△	E-1426B	Stator Slot Insulation Top Wedges	6 3/4 Lg. x .561 x 3/32 Fiber.			1	L-424-638	37-J-645	48	96	192	E-1426B
1	△	E-1426C	Stator Slot Insulation Slot Fillers	6 x 1 13/32 x 23/32 Maple.			1	L-424-638	37-J-645	16	32	64	E-1426C
1	△	E-1427A	Brush Holder Insulation Washer	For 115 V.A.C. Generator.			1	S # 197-194	37-J-645	2	4	6	E-1427A
1	△	E-1427B	Brush Holder Insulation Tube	For 115 V.A.C. Generator.			1	S # 458-876	37-J-645	2	4	6	E-1427B
		E-1428 to E-1430	Not Used										
1		E-1431	Armature Complete	For 115 V.D.C. Exciter.			1	12-B-2574	37-J-646	1	1	2	E-1431
1		E-1432	Brushes	For 115 V.D.C. Exciter.			1	S # 126-0222	37-J-646 P22	20	40	80	E-1432
1		E-1433	Brush Holder	For 115 V.D.C. Exciter.			1	S # 271-764	37-J-646 P21	4	16	24	E-1433
1		E-1434	Brush Holder Spring	For 115 V.D.C. Exciter.			1	S # 282-836	37-J-646	6	12	36	E-1434
1		E-1435	Shunt Coil, Set	For 115 V.D.C. Exciter.			1	L-424-627	37-J-646 P18	1 Set	2 Set	4 Set	E-1435
1		E-1436	Commutator Coil	For 115 V.D.C. Exciter.			1	L-424-627	37-J-646 P20	1 Set	2 Set	4 Set	E-1436
1		E-1437A	Brush Holder Rod Ins. Washers	For 115 V.D.C. Exciter.			1	S # 136-527	37-J-646 P49	8	16	24	E-1437A
1		E-1437B	Brush Holder Rod Insulation Tubes	For 115 V.D.C. Exciter.			1	S # 214-677	37-J-646 P50	4	8	12	E-1437B

△ Supplied for 115 V.D.C. installation only.
 † Supplied for 230 V.D.C. installation only.

1 Supplied on Units 1 to 200.

PARTS AND SPARE PARTS LIST

NAVSHIPS 900,946

SECTION 8

8-173

TABLE 8-2 (Continued)

COMBINED PARTS AND SPARE PARTS LIST BY SYMBOL DESIGNATION

FOR NAVY MODELS SR AND SR-a RADAR EQUIPMENTS

See Notes	Symbol Desig.	Function	Description	Navy Type Number	Navy Spec. or Drawing Number	Mfr.	Mfr. Desig.	Special Tol. Rating or Modification	Contractor's Drawing and Part Number	Equip.		Tender		All Symbol Designations Involved
										Box Number	Quantity	Box Number	Quantity	
POWER EQUIPMENT (CAY-211182, CAY-211188) (Continued)														
1	E-1437C	Brush Holder Rod Ins. Cement # 611	For 115 V.D.C. Exciter.			1			37-J-646		1	2	3	E-1437C
1	F-1441	Control Fuse	Fuse, 10 Amps., Non-Renewable, 250 V.	-28044-10		4	S # 371-60		38-J-435 P12		10	20	50	F-1441, F-1451
1	F-1451	Control Fuse	Same as F-1441.	-28044-10										
1Δ	K-14-41A	Coil for IM-320 Contactor	Coil (115 V.D.C.).			1	S # 130-3531		37-J-922 P5		2	6	6	K-1441A, K-1442A
1	K-14-41B	Contact for IM-320 Contactor	Main Stationary Contact.			1	S # 130-3972		37-J-922 P1		Δ4 †2	8	8	K-1441B, K-1442B, K-1451B, K-1451C
1	K-14-41B	Contact for IM-320 Contactor	Main Moving Contact.			1	S # 130-3971		37-J-922 P2		Δ4 †2	8	8	K-1441B, K-1442B, K-1451B, K-1451C
1	K-14-41C	Contact for Normally Closed Interlock	Stationary Contact.			1	S # 130-8214		37-J-922 P9		Δ4 †2	8	8	K-1441C, K-1442C, K-1451H
1	K-14-41C	Contact for Normally Closed Interlock	Moving Contact.			1	S # 130-8317		37-J-922 P10		Δ2 †1	4	4	K-1441C, K-1442C, K-1451H
1	K-14-41D	Contact for Normally Open Interlock	Stationary Contact.			1	S # 130-8250		37-J-922 P6		2	4	4	K-1441D, K-1451F
1	K-14-41D	Contact for Normally Open Interlock	Moving Contact.			1	S # 130-8251		37-J-922 P7		1	2	2	K-1441D, K-1451F
	K-14-41E	Not Used												

8-174

ORIGINAL

8 SECTION

NAVSHIPS 900,946

PARTS AND SPARE PARTS LIST

ORIGINAL

1	K-14-41F	Spring for IM-320 Contactor	Main Contact Spring.			1	S # 130-8159	37-J-922 P3	Δ4 †2	4	4	K-1441F, K-1442F K-1451D
1	K-14-41G	Spring for IM-320 Contactor	Kickout Spring.			1	S # 130-8163	37-J-922 P4	Δ2 †1	2	2	K-1441G, K-1442G, K-1451E
1	K-14-41H	Spring for Normally Closed Interlock				1	S # 129-7369	37-J-922 P11	Δ2 †1	2	2	K-1441H, K-1442H, K-1451J
1	K-14-41I	Spring for Normally Open Interlock				1	S # 130-8164	37-J-922 P8	1	1	1	K-1441I, K-1451G
1Δ	K-14-42A	Coil for IM-320 Contactor	Same as K-1441A.									
1Δ	K-14-42B	Contact for IM-320 Contactor	Same as K-1441B, Stationary.									
1Δ	K-14-42B	Contact for IM-320 Contactor	Same as K-1441B, Moving.									
1Δ	K-14-42C	Contact for Normally Closed Interlock	Same as K-1441C, Stationary.									
1Δ	K-14-42C	Contact for Normally Closed Interlock	Same as K-1441C, Moving.									
1	K-14-42D	Contact for Normally Closed Interlock (Spec.)	Stationary Contact.			1	S # 130-8181	37-J-922 P12	2	4	4	K-1442D, K-1451K
1	K-14-42D	Contact for Normally Closed Interlock (Spec.)	Moving Contact.			1	S # 125-7419	37-J-922 P13	1	2	2	K-1442D, K-1451K
	K-14-42E	Not Used										
1	K-14-42F	Spring for IM-320 Contactor	Same as K-1441F.									
1	K-14-42G	Spring for IM-320 Contactor	Same as K-1441G.									

Δ Supplied for 115 V.D.C. installations only.
† Supplied for 230 V.D.C. installations only.

1 Supplied on Units 1 to 200.

PARTS AND SPARE PARTS LIST

NAVSHIPS 900,946

SECTION 8

8-176

TABLE 8-2 (Continued)

COMBINED PARTS AND SPARE PARTS LIST BY SYMBOL DESIGNATION

FOR NAVY MODELS SR AND SR-a RADAR EQUIPMENTS

8 SECTION

See Notes	Symbol Desig.	Function	Description	Navy Type Number	Navy Spec. or Drawing Number	Mfr.	Mfr. Desig.	Special Tol. Rating or Modification	Contractor's Drawing and Part Number	Equip.		Tender	All Symbol Designations Involved	
										Box Number	Quantity	Box Number		Quantity
POWER EQUIPMENT (CAY-211182, CAY-211188) (Continued)														
1	K-14-42H	Spring for Normally Closed Interlock	Same as K-1441H.											
1	K-14-42I	Spring for Normally Closed Interlock	Special Contact Spring, Helical Coil, 18W Chromium, 8W Nickel Steel, 1/2 lg. x 1/4 O. Dia.			1	S# 128-9042		37-J-922 P14		Δ1	1	1	K-1442I, K-1451L
1	K-14-43A	Coil for IAQ-4110 and IAQ-4120 Relays	Coil (115 V.D.C.).			1	S# 132-0615		37-J-890 P5		Δ3	9	9	K-1443A, K-1444A, K-1445A
1	K-14-43B	Contact for IAQ-4110 and IAQ-4120 Relays	Main Moving Contact.			1	S# 130-8319		37-J-890 P1		Δ3 ‡2	6	6	K-1443B, K-1444B, K-14445B, K-1452B, K-1453B
1	K-14-43B	Contact for IAQ-4110 and IAQ-4120 Relays	Main Stationary Contact.			1	S# 130-8318		37-J-890 P2		Δ3 ‡2	6	6	K-1443B, K-1444B, K-1445B, K-1452B, K-1453B
1	K-14-43C	Contact for IAQ-4110 and IAQ-4120 Relays	Control Stationary Contact.			1	S# 125-8707		37-J-890 P6		Δ8 ‡6	16	16	K-1443C, K-1443D, K-1444C, K-1445C, K-1452E, K-1452F, K-1453E.
1	K-14-43C	Contact for IAQ-4110 and IAQ-4120 Relays	Control Moving Contact, Same as K-1442D.			1	S# 125-7419		37-J-890 P7		Δ4 ‡3	8	8	K-1443C, K-1443D, K-1444C, K-1445C, K-1452E, K-1452F, K-1453E

NAVSHIPS 900,946

PARTS AND SPARE PARTS LIST

ORIGINAL

ORIGINAL

1	K-14-43D	Contact for IAQ-4110 and IAQ-4120 Relays	Moving, Same as K-1443C.																		
1	K-14-43D	Contact for IAQ-4110 and IAQ-4120 Relays	Stationary, Same as K-1443C.																		
1	K-14-43E	Spring for IAQ-4110 and IAQ-4120 Relays	Same as K-1442I.	1	S # 128-9042	37-J-890 P8		Δ4 †3	4	4										K-1443E, K-1444E, K-1445E, K-1452G, K-1453G	
1	K-14-43F	Spring for IAQ-4110 and IAQ-4120 Relays	Return Spring.	1	S # 125-8957	37-J-890 P3		Δ3 †2	3	3											K-1443F, K-1444F, K-1445F, K-1452C, K-1453C
1	K-14-43G	Spring for IAQ-4110 and IAQ-4120 Relays	Armature Spring.	1	S # 125-8963	37-J-890 P4		Δ3 †2	3	3											K-1443G, K-1444G, K-1445G, K-1452D, K-1453D
1Δ	K-14-44A	Coil for IAQ-4110 and IAQ-4120 Relays	Same as K-1443A.	1	S # 124-896																
1Δ	K-14-44B	Contact for IAQ-4110 and IAQ-4120 Relays	Same as K-1443B, Moving.																		
1Δ	K-14-43B	Contact for IAQ-4110 and IAQ-4120 Relays	Same as K-1443B, Stationary.																		
1Δ	K-14-44C	Contact for IAQ-4110 and IAQ-4120 Relays	Same as K-1443C, Stationary.																		
1Δ	K-14-44C	Contact for IAQ-4110 and IAQ-4120 Relays	Same as K-1443C, Moving.																		
	K-14-44D	Not Used																			
1Δ	K-14-44E	Spring for IAQ-4110 and IAQ-4120 Relays	Same as K-1443E.																		

Δ Supplied for 115 V.D.C. installations only.
† Supplied for 230 V.D.C. installations only.

1 Supplied on Units 1 to 200.

PARTS AND SPARE PARTS LIST

NAVSHIPS 900,946

SECTION 8

TABLE 8-2 (Continued)

COMBINED PARTS AND SPARE PARTS LIST BY SYMBOL DESIGNATION

FOR NAVY MODELS SR AND SR-a RADAR EQUIPMENTS

See Notes	Symbol Desig.	Function	Description	Navy Type Number	Navy Spec. or Drawing Number	Mfr.	Mfr. Desig.	Special Tol. Rating or Modification	Contractor's Drawing and Part Number	Equip.		Tender		All Symbol Designations Involved
										Box Number	Quantity	Box Number	Quantity	
POWER EQUIPMENT (CAY-211182, CAY-211188) (Continued)														
1Δ	K-14-44F	Spring for IAQ-4110 and IAQ-4120 Relays	Same as K-1443F.											
1Δ	K-14-44G	Armature Spring for IAQ-4110 & IAQ-4120 Relays	Same as K-1443G.											
1Δ	K-14-45A	Coil for IAQ-4110 and IAQ-4120 Relays	Same as K-1443A.											
1Δ	K-14-45B	Contact for IAQ-4110 and IAQ-4120 Relays	Same as K-1443B, Moving.											
1Δ	K-14-45B	Contact for IAQ-4110 and IAQ-4120 Relays	Same as K-1443B, Stationary.											
1Δ	K-14-45C	Contact for IAQ-4110 and IAQ-4120 Relays	Same as K-1443B, Stationary.											
1Δ	K-14-45C	Contact for IAQ-4110 and IAQ-4120 Relays	Same as K-1443B, Moving.											
	K-14-45D	Not Used												
1Δ	K-14-45E	Spring for IAQ-4110 and IAQ-4120 Relays	Same as K-1443E.											
1Δ	K-14-45F	Spring for IAQ-4110 and IAQ-4120 Relays	Same as K-1443F.											

8-178

ORIGINAL

8 SECTION

NAVSHIPS 900,946

PARTS AND SPARE PARTS LIST

ORIGINAL

1Δ	K-14-45G	Armature Spring for IAQ-4110 & IAQ-4120 Relays	Same as K-1443G.											
1Δ	K-14-46A	Heater for MI Overload Relay	173 Amps. Heater.	1	S# 131-4563	36-J-639 P22	1	3	3					K-1446A
	K-1447 to K-1450	Not Used												
1†	K-14-51A	Coil for IM-320 Contactor	Coil (230 V.D.C.).	1	S# 130-3532	37-J-922 P5	1	3	3					K-1451A
1†	K-14-51B	Contact for IM-320 Contactor	Same as K-1441B, Stationary.											
1†	K-14-51B	Contact for IM-320 Contactor	Same as K-1441B, Moving.											
1†	K-14-51C	Contact for IM-320 Contactor	Same as K-1441B, Stationary.											
1†	K-14-51C	Contact for IM-320 Contactor	Same as K-1441B, Moving.											
1†	K-14-51D	Spring for IM-320 Contactor	Same as K-1441F.											
1†	K-14-51E	Spring for IM-320 Contactor	Same as K-1441G.											
1†	K-14-51F	Contact for IM-320 Contactor	Same as K-1441D, Stationary.											
1†	K-14-51F	Contact for IM-320 Contactor	Same as K-1441D, Moving.											
1†	K-14-51G	Spring for Normally Open Interlock	Same as K-1441I.											
1†	K-14-51H	Contact for Normally Closed Interlock	Same as K-1441C, Stationary.											
1†	K-14-51H	Contact for Normally Closed Interlock	Same as K-1441C, Moving.											
	K-1451I	Not Used												
				Δ Supplied for 115 V.D.C. installations only. 1 Supplied on Units 1 to 200. † Supplied for 230 V.D.C. installations only.										

PARTS AND SPARE PARTS LIST

NAVSHIPS 900,946

SECTION 8

8-179

TABLE 8-2 (Continued)

COMBINED PARTS AND SPARE PARTS LIST BY SYMBOL DESIGNATION

FOR NAVY MODELS SR AND SR-a RADAR EQUIPMENTS

See Notes	Symbol Desig.	Function	Description	Navy Type Number	Navy Spec. or Drawing Number	Mfr.	Mfr. Desig.	Special Tol. Rating or Modification	Contractor's Drawing and Part Number	Equip.		Tender		All Symbol Designations Involved
										Box Number	Quantity	Box Number	Quantity	
POWER EQUIPMENT (CAY-211182, CAY-211188) (Continued)														
1†	K-14-51J	Spring for Normally Closed Interlock	Same as K-1441H.											
1†	K-14-51K	Contact for Normally Closed Interlock (Spec.)	Same as K-1442D, Stationary.											
1†	K-14-51K	Contact for Normally Closed Interlock (Spec.)	Same as K-1442D, Moving.											
1†	K-14-51L	Spring for Normally Closed Interlock	Same as K-1442I.											
1†	K-14-52A	Coil for IAQ-4110 and IAQ-4120 Relays	Coil (230 V.D.C.).			1	S# 132-0616		37-J-890 P5		2	6	6	K-1452A, K-1453A
1†	K-14-52B	Contact for IAQ-4120 Relay	Same as K-1443B, Moving.											
1†	K-14-52B	Contact for IAQ-4120 Relay	Same as K-1443B, Stationary.											
1†	K-14-52C	Spring for IAQ-4120 Relay	Same as K-1443F.											
1†	K-14-52D	Armature Spring for IAQ-4120 Relay	Same as K-1443G.											
1†	K-14-52E	Contact for IAQ-4120 Relay	Same as K-1443C, Stationary.											
1†	K-14-52E	Contact for IAQ-4120 Relay	Same as K-1443C, Moving.											

8-180

ORIGINAL

SECTION 8

NAVSHIPS 900,946

PARTS AND SPARE PARTS LIST

ORIGINAL

1†	K-14-52F	Contact for IAQ-4120 Relay	Same as K-1443C, Stationary.																		
1†	K-14-52F	Contact for IAQ-4120 Relay	Same as K-1443C, Moving.																		
1†	K-14-52G	Spring for IAQ-4120 Relay	Same as K-1442I.																		
1†	K-14-53A	Coil for IAQ-4110 and IAQ-4120 Relays	Same as K-1452A.																		
1†	K-14-53B	Contact for IAQ-4120 Relay	Same as K-1443B, Moving.																		
1†	K-14-53B	Contact for IAQ-4120 Relay	Same as K-1443B, Stationary.																		
1†	K-14-53C	Spring for IAQ-4120 Relay	Same as K-1443F.																		
1†	K-14-53D	Armature Spring for IAQ-4120 Relay	Same as K-1443G.																		
1†	K-14-53E	Contact for IAQ-4120 Relay	Same as K-1443C, Stationary.																		
1†	K-14-53E	Contact for IAQ-4120 Relay	Same as K-1443C, Moving.																		
	K-14-53F	Not Used																			
1†	K-14-53G	Spring for IAQ-4120 Relay	Same as K-1442I.																		
1†	K-14-54A	Heater for MI Overload Relay	91 Amps. Heater.		1	S # 126-5740	36-J-639 P22		1		3	3								K-1454A	
1Δ	O-1401	Ball Bearing	Marlin-Rockwell No. 311SF.		1	S # 119-6896	37-J-615 P8		1		2	2									O-1401, O-1411
1†	O-1411	Ball Bearing	Same as O-1401.																		
1Δ	O-1421	Ball Bearing	Marlin-Rockwell No. 313MF.		1	S # 119-6897	37-J-645 P8		1		2	2									O-1421
1†Δ	O-1422	Coupling	Motor-Generator, Flexible Coupling.		1	D-722-212	37-J-613 P2 & P23		0		1	1									O-1422

Δ Supplied for 115 V.D.C. installations only.
 † Supplied for 230 V.D.C. installations only.

1 Supplied on Units 1 to 200.

PARTS AND SPARE PARTS LIST

NAVSHIPS 900,946

SECTION 8

TABLE 8-2 (Continued)

COMBINED PARTS AND SPARE PARTS LIST BY SYMBOL DESIGNATION

FOR NAVY MODELS SR AND SR-a RADAR EQUIPMENTS

See Notes	Symbol Desig.	Function	Description	Navy Type Number	Navy Spec. or Drawing Number	Mfr.	Mfr. Desig.	Special Tol. Rating or Modification	Contractor's Drawing and Part Number	Equip.		Tender		All Symbol Designations Involved
										Box Number	Quantity	Box Number	Quantity	
POWER EQUIPMENT (CAY-211182, CAY-211188) (Continued)														
1Δ	R-1401	Resistor—115 V.D.C. Motor	6 Step, 3.4 Ohms.	-635202-10		1	S# 874-987		37-J-613		1	3	3	R-1401
1Δ	R-1402	Resistor—115 V.D.C. Motor	6 Step, 6.4 Ohms.	-635203-10		1	S# 875-007		37-J-613		3	9	9	R-1402, R-1403, R-1404
1Δ	R-1403	Resistor—115 V.D.C. Motor	Same as R-1402.	-635203-10										
1Δ	R-1404	Resistor—115 V.D.C. Motor	Same as R-1402.	-635203-10										
	R-1405 to R-1410	Not Used												
1†	R-1411	Resistor—230 V.D.C. Motor	6 Step, 4.3 Ohms.	-634951-10		1	S# 874-997		45-J-657		1	3	3	R-1411
1†	R-1412	Resistor—230 V.D.C. Motor	6 Step, 25.2 Ohms.	-635212-10		1	S# 943-787		45-J-657		3	9	9	R-1412, R-1413, R-1414
1†	R-1413	Resistor—230 V.D.C. Motor	Same as R-1412.	-635212-10										
1†	R-1414	Resistor—230 V.D.C. Motor	Same as R-1412.	-635212-10										
	R-1415 to R-1440	Not Used												
1Δ	R-1441	Resistor—Starting		-634948-10		1	S# 130-8641				1	3	3	R-1441
1Δ	R-1442	Resistor—Starting		-634947-10		1	S# 134-4265				1	3	3	R-1442
1Δ	R-1443	Resistor—Series		-634704-10		1	S# 896-434		38-J-435		1	3	3	R-1443

8-182

ORIGINAL

SECTION 8

NAVSHPIS 900,946

PARTS AND SPARE PARTS LIST

ORIGINAL

1△	R-1444	Resistor— Potentiometer		-632412-10	1	S# 774- 001			1	6	6	R-1444, R-1445
1△	R-1445	Resistor— Potentiometer	Same as R-1444.	-632412-10								
	R-1446 to R-1450	Not Used										
1†	R-1451	Resistor—Series	1250 Ohms, 250 Volts, 5 lg. x 1 dia., thru Bolt Mtg., Side Lug Terminals.	-634708-10	1	S# 896- 433	37-J-890		1	3	3	R-1451
1†	R-1452	Resistor— Potentiometer	400 Ohms, Slider Type, Resistor, 5 lg. x 1 dia. with Two Adjustable Terminals, thru Bolt Mtg.	-623466-10	1	S# 883- 125	37-J-890		1	3	3	R-1452
1†	R-1453	Resistor— Starting	0.67 Ohm, 93.75 Amps., edge- wound, 14 lg. x 2 dia., Two $\frac{5}{16}$ Mtg. Holes on 13 Centers.	-634949-10	1	S# 130- 5531	45-J-146		1	3	3	R-1453
1†	R-1454	Resistor— Starting	0.34 Ohm, 120 Amps., Edgewound, 14 lg. x 2 dia., Two $\frac{5}{16}$ Mtg. Holes on 13 Centers.	-634950-10	1	S# 130- 5529	45-J-146		1	3	3	R-1454
1	S-1471	Push Button	Start Element.	-241198	1	S# 118- 6281	30-J-892		2	2	2	S-1471
1	S-1472	Push Button	Stop Element.	-241198	1	S# 118- 6281	30-J-892		2	2	2	S-1472
	CR-1461	Rectox Unit	Oxide Rectifier, Single Phase Cop- per.	-20534	1	S# 967- 282	45-J-52 P17		4	0	0	CR-1461, CR-1462, CR-1463, CR-1464
	CR-1462	Rectox Unit	Same as CR-1461.	-20534								
	CR-1463	Rectox Unit	Same as CR-1461.	-20534								
	CR-1464	Rectox Unit	Same as CR-1461.	-20534								
	K-1461	Control Element			1		45-J-52 P3		0	0	0	K-1461
	K-14- 61A	Main Coil	5000 Turns of # 28 En. Cu. Wire, 22.5 Volts, 205 Ohms.		1	S# 108- 7327	45-J-52 P13		1	0	0	K-1461A
	K-14- 61B	Silver Button Assembly			1	S# 119- 0738	45-J-52 P10		1	0	0	K-1461B
	K-14- 61C	Main Spring			1	S# 108- 7324	45-J-52 P11		1	0	0	K-1461C
	K-14- 61D	Hinge Spring			1	S# 116- 6944	45-J-52 P12		4	0	0	K-1461D

△ Supplied for 115 V.D.C. installations only.
 † Supplied for 230 V.D.C. installations only.

1 Supplied on Units 1 to 200.

PARTS AND SPARE PARTS LIST

NAVSHIPS 900,946

SECTION 8

8-183

TABLE 8-2 (Continued)

COMBINED PARTS AND SPARE PARTS LIST BY SYMBOL DESIGNATION

FOR NAVY MODELS SR AND SR-a RADAR EQUIPMENTS

See Notes	Symbol Desig.	Function	Description	Navy Type Number	Navy Spec. or Drawing Number	Mfr.	Mfr. Desig.	Special Tol. Rating or Modification	Contractor's Drawing and Part Number	Equip.		Tender		All Symbol Designations Involved
										Box Number	Quantity	Box Number	Quantity	
										Stock				
	POWER EQUIPMENT (CAY-211182, CAY-211188) (Continued)													
	M-1461	Voltmeter	0 to 150 Volts.	-22632		1	Type KA-24		45-J-52 P2		0	0	0	M-1461
	R-1461	Resistor Tube	750 Ohms, 0.25 Amp.	-634709		1	S# 111-5103		45-J-52 P14		1	0	0	R-1461
1	R-1462	Voltage Adj. Rheostat	4" Plate Rheostat, 200 Ohms, 0.5 Amp.	-634752-10		1	S# 129-0926		45-J-52 P18		1	0	0	R-1462
	R-1463	Regulator Resistance Plate	93 Ohms, 3.46 to 1.20 Amps., Plaque Type Fixed Resistor, 42 Terminals.	-635211-10		1	S# 129-8910		45-J-52 P15		1	0	0	R-1463
	R-1464	Resistor Tube	4.5 Ohms, 6.75 Amps.	-634707-10		1	S# 129-8820		45-J-52 P19		2	0	0	R-1464, R-1465
	R-1465	Resistor Tube	Same as R-1464.	-634707-10										
1	R-1466	Resistor Tube	2-6" Plates, 1 Main Plate and 1 Vernier Plate, Plus Mtg. Details. Main Plate, 64 Ohms, 1.85 to 1.65 Amps., 120 Volts, S# 1312885. Vernier Plate 8 Ohms, 5.25 to 4.75 Amps., 125 Volts, S# 1312886.	-634751-10		1	S# 131-2884				0	0	0	R-1466
2	R-1467	Rheostat Voltage Adjustment	4" Plate Rheostat, 200 Ohms, 0.5 Amp.	-635223-10		1	S# 135-4205		46-J-316 P18		1	0	0	R-1467
	S-1461	Transfer Switch	Drip Proof, Two Position, Manual and Automatic.	-24981		1			45-J-52 P8		0	0	0	S-1461
	S-1461A	Contact Finger	For S-1461, 10 Amps.			1	S# 108-7205		45-J-52 P20		8	0	0	S-1461A, S-1461B, S-1461C, S-1461D
	S-1461B	Contact Finger	Same as S-1461A.											
	S-1461C	Contact Finger	Same as S-1461A.											

8-184

ORIGINAL

8 SECTION

NAVSHIPS 900,946

PARTS AND SPARE PARTS LIST

ORIGINAL

S-1461D	Contact Finger	Same as S-1461A.												
S-1461E	Stop Finger					1	S # 111-4883	45-J-52 P21		2	0	0	S-1461E	
T-1461	Damping Transformer	Volts Pri. 150 Sec. 22	Ohms 830	Turns 6500	Wire #30 En. #26 En.			45-J-52 P16		1	0	0	T-1461	
1	YR-1460	Voltage Regulator						7502704 G8 & G9		0	1	2	YR-1460	
2	YR-1461	Voltage Regulator						7502970 G8 & G9		0	1	2	YR-1461	
POWER EQUIPMENT (CAY-211326)														
3	C-1521	Capacitor—Filter	3 MFD ±10%, Inerteen, Paper.	600 V.D.C.W.,				45-J-968-P80		8	23	38	C-1521, C-1522 C-1523, C-1524 C-1525, C-1526 C-1527, C-1528 C-1529, C-1541 C-1542, C-1543 C-1544, C-1545 C-1546	
3	C-1522	Capacitor—Filter	Same as C-1521.											
3	C-1523	Capacitor—Filter	Same as C-1521.											
3	C-1524	Capacitor—Filter	Same as C-1521.											
3	C-1525	Capacitor—Filter	Same as C-1521.											
3	C-1526	Capacitor—Filter	Same as C-1521.											
3	C-1527	Capacitor—Filter	Same as C-1521.											
3	C-1528	Capacitor—Filter	Same as C-1521.											
3	C-1529	Capacitor—Filter	Same as C-1521.											
3	C-1530	Capacitor—Filter	1 MFD. +30% -10%, 260 V., 60 Cycle, Oil Filled Paper—One Bushing.					45-J-968 P81		8	23	38	C-1530, C-1531 C-1532, C-1533 C-1534, C-1535 C-1536, C-1537 C-1538, C-1547 C-1548, C-1549 C-1550, C-1551 C-1552	

1 Supplied on Units 1 to 200.
3 Used on Units Serials 201 and up.

2 Supplied on Units 201 and up.
* For replacement use.

8-185

PARTS AND SPARE PARTS LIST

NAVSHIPS 900,946

SECTION 8

TABLE 8-2 (Continued)

COMBINED PARTS AND SPARE PARTS LIST BY SYMBOL DESIGNATION

FOR NAVY MODELS SR AND SR-a RADAR EQUIPMENTS

See Notes	Symbol Desig.	Function	Description	Navy Type Number	Navy Spec. or Drawing Number	Mfr.	Mfr. Desig.	Special Tol. Rating or Modification	Contractor's Drawing and Part Number	Equip.		Tender.		All Symbol Designations Involved
										Box Number	Quantity	Box Number	Quantity	
POWER EQUIPMENT (CAY-211326) (Continued)														
2	C-1531	Capacitor—Filter	Same as C-1530.	-483989-10	*									
2	C-1532	Capacitor—Filter	Same as C-1530.	-483989-10	*									
2	C-1533	Capacitor—Filter	Same as C-1530.	-483989-10	*									
2	C-1534	Capacitor—Filter	Same as C-1530.	-483989-10	*									
2	C-1535	Capacitor—Filter	Same as C-1530.	-483989-10	*									
2	C-1536	Capacitor—Filter	Same as C-1530.	-483989-10	*									
2	C-1537	Capacitor—Filter	Same as C-1530.	-483989-10	*									
2	C-1538	Capacitor—Filter	Same as C-1530.	-483989-10	*									
2	C-1539	Capacitor—Speed Regulator	.125 MFD., 600 V.D.C. Working Paper.	-484158-10		1	Type FL S# 122-7286		15-A-3132 G1	1	2	3	C-1539	
	C-1540	Not Used												
2	C-1541	Capacitor—Filter	Same as C-1521.	-483980-10										
2	C-1542	Capacitor—Filter	Same as C-1521.	-483980-10										
2	C-1543	Capacitor—Filter	Same as C-1521.	-483980-10										
2	C-1544	Capacitor—Filter	Same as C-1521.	-483980-10										
2	C-1545	Capacitor—Filter	Same as C-1521.	-483980-10										
2	C-1546	Capacitor—Filter	Same as C-1521.	-483980-10	*									
2	C-1547	Capacitor—Filter	Same as C-1530.	-483989-10	*									
2	C-1548	Capacitor—Filter	Same as C-1530.	-483989-10	*									
2	C-1549	Capacitor—Filter	Same as C-1530.	-483989-10	*									

8-186

SECTION 8

NAVSHIPS 900,946

PARTS AND SPARE PARTS LIST

ORIGINAL

ORIGINAL

2	C-1550	Capacitor—Filter	Same as C-1530.	-483989-10 *									
2	C-1551	Capacitor—Filter	Same as C-1530.	-483989-10 *									
2	C-1552	Capacitor—Filter	Same as C-1530.	-483989-10 *									
2	E-1521	Motor Armature	230 V.D.C., 1800 R.P.M., 20 H.P.		1		9-B-2416	1	1	2	E-1521		
2	E-1522	Motor Brush			1	S # 126-0230	45-J-968 P22	40	80	160	E-1522		
2	E-1523	Motor Brush Holder			1	S # 271-773	45-J-968 P21	8	32	48	E-1523		
2	E-1524	Motor Brush Holder Spring			1	S # 282-837	45-J-968 P21	12	24	72	E-1524		
2	E-1525	Motor Shunt Coil, Set			1	L-442-540	45-J-968 P18	1 Set	2 Set	4 Set	E-1525		
2	E-1526	Motor Series Coil, Set			1	L-442-540	45-J-968 P19	1 Set	2 Set	4 Set	E-1526		
2	E-1527	Motor Commutating Coil Set			1	L-256-348	45-J-968 P20	1 Set	2 Set	4 Set	E-1527		
2	E-1528A	Washer	For Brush Rigging Insulation.		1	S # 135-790	45-J-968	8	16	24	E-1528A		
2	E-1528B	Tube	For Brush Rigging Insulation.		1	S # 130-855	45-J-968 P68	4	8	12	E-1528B		
2	E-1528C	Cement	For Brush Rigging Insulation.		1	# 611	45-J-968	1 can	2 can	3 can	E-1528C		
2	E-1529	Speed Reg.—Brush			1	S # 136-0723	45-J-968	10	20	40	E-1529		
2	E-1530	Speed Reg.—Brush Holder			1	S # 136-0724	45-J-968	2	8	12	E-1530		
2	E-1531	Speed Reg.—B.H. Spring			1	S # 103-0911	45-J-968	3	6	18	E-1531		
2	E-1532	Speed Reg.—B.H. Insulation			1		11-D-8217	2	4	6	E-1532		
	E-1533 to E-1540	Not Used											

2 Used on Units Serials 201 and up.

* For replacement use.

PARTS AND SPARE PARTS LIST

NAVSHIPS 900,946

SECTION 8

TABLE 8-2 (Continued)

COMBINED PARTS AND SPARE PARTS LIST BY SYMBOL DESIGNATION

FOR NAVY MODELS SR AND SR-a RADAR EQUIPMENTS

See Notes	Symbol Desig.	Function	Description	Navy Type Number	Navy Spec. or Drawing Number	Mfr.	Mfr. Desig.	Special Tol. Rating or Modification	Contractor's Drawing and Part Number	Equip.		Tender		All Symbol Designations Involved
										Box Number	Quantity	Box Number	Quantity	
POWER EQUIPMENT (CAY-211326) (Continued)														
	E-1541	Rotor Complete	For 115 V.A.C. Generator.			1			15-A-7798	1	1	2		E-1541
	E-1542	Brushes	For 115 V.A.C. Generator.			1	S# 777-889		45-J-966 P18	20	40	80		E-1542
	E-1543	Brush Holder	For 115 V.A.C. Generator.			1	S# 884-027		45-J-966 P17	2	8	12		E-1543
	E-1544	Brush Holder	For 115 V.A.C. Generator.			1	S# 444-435		45-J-966 P17	6	12	36		E-1544
	E-1545	Stator Coils, Set	For 115 V.A.C. Generator.			1	L-424-638		45-J-966 P28	1 Set	2 Set	4 Set		E-1545
	E-1546A	Stator Slot Insulation Slot Cells	6 3/4" x 6" of 0.011 Tk. Fishpaper.			1	L-424-638		45-J-966	48	96	192		E-1546A
	E-1546B	Stator Slot Insulation Top Wedges	6 3/4" x 0.561 of 3/32 Tk. Fibre.			1	L-424-638		45-J-966	48	96	192		E-1546B
	E-1546C	Stator Slot Insulation Slot Filler	6 x 13/32 of 3/32 Maple.			1	L-424-638		45-J-966	16	32	64		E-1546C
	E-1547A	Brush Holder Ins. Washer	For 115 V.A.C. Generator.			1	S# 197-194		45-J-966	2	4	6		E-1547A
	E-1547B	Brush Holder	For 115 V.A.C. Generator.			1	S# 458-876		45-J-966	2	4	6		E-1547B
	E-1548 to E-1560	Not Used												
	E-1561	Armature Complete	For 115 V.D.C. Exciter.			1			12-B-2574	1	1	2		E-1561
	E-1562	Brushes	For 115 V.D.C. Exciter.			1	S# 126-0222		45-J-969 P22	20	40	80		E-1562
	E-1563	Brush Holder	For 115 V.D.C. Exciter.			1	S# 271-764		45-J-969 P21	4	16	24		E-1563

8-188

ORIGINAL

SECTION 8

NAVSHIPS 900,946

PARTS AND SPARE PARTS LIST

ORIGINAL

E-1564	Brush Holder Spring	For 115 V.D.C. Exciter.		1	S# 282-836	45-J-969	6	12	36	E-1564
E-1565	Shunt Coil, Set	For 115 V.D.C. Exciter.		1	L-424-627	45-J-969 P18	1 Set	2 Set	4 Set	E-1565
E-1566	Commutator Coil, Set	For 115 V.D.C. Exciter.		1	L-424-627	45-J-969 P20	1 Set	2 Set	4 Set	E-1566
E-1567A	Brush Holder Rod Insulation Washer	For 115 V.D.C. Exciter.		1	S# 136-527	45-J-969 P49	8	16	24	E-1567A
E-1567B	Brush Holder Rod Insulation Tube	For 115 V.D.C. Exciter.		1	S# 214-055	45-J-969 P50	4	8	12	E-1567B
E-1567C	Brush Holder Rod Insulation Cement	For 115 V.D.C. Exciter.		1	# 611	45-J-969	1 can	2 can	3 can	E-1567C
F-1571	Fuse Main Power	200 Amps., 250 V., Non-Renewable.	-28067-200	93	NON-200	A-408-2	20	40	160	F-1571, F-1572
F-1572	Fuse Main Power	Same as F-1571.	-28067-200							
F-1581	Control Fuse	10 Amps., 250 Volts.	-28044-10	4	S# 371-60	45-J-463 P12	10	20	50	F-1581
K-1581	Contact IM-320		-291334	1		45-J-463 P1	0	0	0	K-1581
K-15-81A	Coil for K-1581			1	S# 130-3532	37-J-922 P5	1	3	3	K-1581A
K-15-81B	Contact for K-1581	Main Stationary Contact.		1	S# 130-3972	37-J-922 P1	2	4	4	K-1581B, K-1581C
K-15-81B	Contact for K-1581	Main Moving Contact.		1	S# 130-3971	37-J-922 P2	2	4	4	K-1581B, K-1581C
K-15-81C	Contact for K-1581	Same as K-1581B, Stationary.								
K-15-81C	Contact for K-1581	Same as K-1581B, Moving.								
K-15-81D	Contact Spring for K-1581	Main Contact Spring.		1	S# 130-8159	37-J-922 P3	2	2	2	K-1581D
K-15-81E	Knockout Spring for K-1581			1	S# 130-8163	37-J-922 P4	1	1	1	K-1581E
K-15-81F	Contact for Normally Open Interlock	Stationary Contact.		1	S# 130-8250	37-J-922 P6	2	4	4	K-1581F
K-15-81F	Contact for Normally Open Interlock	Moving Contact		1	S# 130-8251	37-J-922 P7	1	2	2	K-1581F

PARTS AND SPARE PARTS LIST

NAVSHIPS 900,946

SECTION 8

8-189

TABLE 8-2 (Continued)

COMBINED PARTS AND SPARE PARTS LIST BY SYMBOL DESIGNATION

FOR NAVY MODELS SR AND SR-a RADAR EQUIPMENTS

See Notes	Symbol Desig.	Function	Description	Navy Type Number	Navy Spec. or Drawing Number	Mfr.	Mfr. Desig.	Special Tol. Rating or Modification	Contractor's Drawing and Part Number	Equip.		Tender		All Symbol Designations Involved
										Box Number	Quantity	Box Number	Quantity	
POWER EQUIPMENT (CAY-211326) (Continued)														
	K-15-81G	Spring for Normally Open Interlock				1	S# 130-8164		37-J-922 P8		1	1	1	K-1581G
	K-15-81H	Contact for Normally Closed Interlock	Stationary Contact.			1	S# 130-8214		37-J-922 P9		2	4	4	K-1581H
	K-15-81H	Contact for Normally Closed Interlock	Moving Contact.			1	S# 130-8317		37-J-922 P10		1	2	2	K-1581H
	K-15-81J	Spring for Normally Closed Interlock				1	S# 129-7369		37-J-922 P11		1	1	1	K-1581J
	K-15-81K	Contact for Special Normally Closed Interlock	Stationary Contact.			1	S# 130-8181		37-J-922 P12		2	4	4	K-1581K
	K-15-81K	Contact for Special Normally Closed Interlock	Moving Contact.			1	S# 125-7419		37-J-922 P13		1	2	2	K-1581K
	K-15-81L	Spring for Special Normally Closed Interlock				1	S# 128-9042		37-J-922 P14		4	4	4	K-1581L, K-1582G, K-1583G
	K-1582	Relay IAQ-4120	2 Normally Open Contacts.	-291070		1			45-J-463 P6		0	0	0	K-1582
	K-15-82A	Coil	For Relay K-1582 and K-1583.			1	S# 132-0616		37-J-890 P5		2	6	6	K-1582A, K-1583A
	K-15-82B	Contact for K-1582	Main Moving Contact.			1	S# 130-8319		37-J-890 P1		2	4	4	K-1582B, K-1583B
	K-15-82B	Contact for K-1582	Main Stationary Contact.			1	S# 130-8318		37-J-890 P2		2	4	4	K-1582B, K-1583B

8-190

ORIGINAL

SECTION 8

NAVSHIPS 900,946

PARTS AND SPARE PARTS LIST

ORIGINAL

K-15-82C	Spring for K-1582	Return Spring.			1	S# 125-8957	37-J-890 P3	2	2	2	K-1582C, K-1583C
K-15-82D	Spring for K-1582	Armature Spring.			1	S# 125-8963	37-J-890 P4	2	2	2	K-1582D, K-1583D
K-15-82E	Contact for K-1582	Control Stationary Contact.			1	S# 125-8707	37-J-890 P6	6	12	12	K-1582E, K-1582F, K-1583E
K-15-82E	Contact for K-1582	Control Moving Contact.			1	S# 125-7419	37-J-890 P7	3	6	6	K-1582E, K-1582F, K-1583E
K-15-82F	Contact for K-1582	Same as K-1582E, Stationary.									
K-15-82F	Contact for K-1582	Same as K-1582E, Moving.									
K-15-82G	Spring for K-1582	Same as K-1581L.									
K-1583	Relay IAQ-4110	One Normally Open Contact.	-291071		1		45-J-463 P7	0	0	0	K-1583
K-15-83A	Coil	Same as K-1582A.									
K-15-83B	Contact for K-1583	Same as K-1582B, Moving.									
K-15-83B	Contact for K-1583	Same as K-1582B, Stationary.									
K-15-83C	Spring for K-1583	Same as K-1582C.									
K-15-83D	Spring for K-1583	Same as K-1582D.									
K-15-83E	Contact for K-1583	Same as K-1582E, Stationary.									
K-15-83E	Contact for K-1583	Same as K-1582E, Moving.									
K-15-83F	Not Used										
K-15-83G	Spring for K-1583	Same as K-1581L.									
K-15-84A	Electric Reset Coil	Coil 230 V.D.C.			1	S# 134-4054	37-J-890	1	3	3	K-1584A

PARTS AND SPARE PARTS LIST

NAVSHIPS 900,946

SECTION 8

8-191

TABLE 8-2 (Continued)

COMBINED PARTS AND SPARE PARTS LIST BY SYMBOL DESIGNATION

FOR NAVY MODELS SR AND SR-a RADAR EQUIPMENTS

See Notes	Symbol Desig.	Function	Description	Navy Type Number	Navy Spec. or Drawing Number	Mfr.	Mfr. Desig.	Special Tol. Rating or Modification	Contractor's Drawing and Part Number	Equip.		Tender		All Symbol Designations Involved	
										Box Number	Quantity	Box Number	Quantity		Stock
	POWER EQUIPMENT (CAY-211326) (Continued)														
	K-15-84B	MI—Overload Relay Heater	91 Amperes.			1	S# 126-5740		36-J-639 P22	1	3	3		K-1584B	
	O-1521	Ball Bearing	Marlin-Rockwell # 311 SF.			1	S# 119-6896		45-J-968 P8	1	2	2		O-1521	
	O-1541	Ball Bearing	Marlin-Rockwell #313 MF.			1	S# 119-6897		45-J-966 P8	1	2	2		O-1541	
	O-1542	Coupling	Flexible Coupling Complete.			1	S# 141-2529			0	1	1		O-1542	
	R-1521	Resistor, Speed Reg.	110 Ohms, 7 $\frac{1}{16}$ lg. x 1 $\frac{1}{16}$ dia. Overall, Ferrule Mtg. 1 $\frac{1}{8}$ dia. x $\frac{9}{16}$ lg.	-63131-F		1	S# 136-9979			1	3	5		R-1521	
	R-1522	Resistor, Speed Reg.	225 Ohms, 7 $\frac{1}{16}$ lg. x 1 $\frac{1}{16}$ dia. Overall, Ferrule Mtg. 1 $\frac{1}{8}$ dia. x $\frac{9}{16}$ lg.			1	S# 136-9969			1	3	5		R-1522	
	R-1581	Resistor, Series	1250 Ohms, 230 Volts, 5 lg. x 1 dia., thru Bolt Mtg., Side Lug Terminals.	-634708-10		1	S# 896-433		45-J-463 P9	1	3	3		R-1581	
	R-1582	Resistor, Potentiometer	400 Ohms, Slider Type Resistor, 5 lg. x 1 dia. with Two Adjustable Terminals, thru Bolt Mtg.	-632466-10		1	S# 883-125		45-J-463 P10	1	3	3		R-1582	
	R-1583	Resistor, Starting	0.67 Ohm, 93.75 Amps., Edgewound, 14 lg. x 2 dia. Overall, Two $\frac{1}{16}$ dia. Mtg. Holes on 13 Centers.	-634949-10		1	S# 130-5531		45-J-146	1	3	3		R-1583	
	R-1584	Resistor, Starting	0.34 Ohm, 120 Amps., Edgewound, 14 lg. x 2 dia. Overall, Two $\frac{1}{16}$ dia. Mtg. Holes on 13 Centers.	-634950-10		1	S# 130-5529		45-J-146	1	3	3		R-1584	
	S-1521A	Speed Regulator Contact Assy.				1	S# 136-0725			1	2	2		S-1521A	
	S-1521B	Speed Regulator Stationary Contacts.				1	S# 136-0726			4	8	8		S-1521B	
	S-1581	Start—Emergency Run Element	For HDN Local Pushbutton.			1	S# 118-6283		30-H-892	4	8	8		S-1581, S-1591	

ORIGINAL

S-1582	Stop Element	For HDN Local Pushbutton.			1	S # 119-0249	30-J-892		1	2	2	S-1582		
S-1591	Start—Emergency Run Element	For HDN Remote Pushbutton. Same as S-1581.												
S-1592	Stop Element	For HDN Remote Pushbutton.			1	S # 118-6281	30-J-892		3	6	6	S-1592		
AUTO DEHYDRATOR CAKB-10AEK														
B-1601	Motor	¼ Hp., 110 Volts, 60 Cycle, 1 Phase.	-211619		7	KH Frame 45	S46-11789		10	1	18	2	3	B-1601
B-1602	Motor Bearing Set	Bronze Sleeve Bearings.			7	58269-01 AA-PI	S46-12161		10	2	7	2	3	B-1602
B-1603	Program Clock Motor		-211501		100	Type 1600	S46-11894		10	1	7	2	3	B-1503
B-1604	Program Clock		-291144		101	YC-1	S46-11784		10	1	7	1	1	B-1604
E-1601	Pressure Switch & Unloader Valves	Electric			102	HU3A	223-11722		10	1	7	1	1	E-1601
E-1602	Calrod Heater Term Insulator	Ceramic Insulator.			84		S46-12170		10	2	7	4	8	E-1602
E-1603	Knob				84		M-7415100 P49		10	2	7	4	4	E-1603
E-1604	Knob				84		M-7415100 P50		10	2	7	4	4	E-1604
E-1605	Terminal Block				84		M-7415100 P54		10	2	7	4	4	E-1605
E-1606	Terminal Block				84		M-7415100 P55		10	1	7	2	2	E-1606
F-1601	Fuses	(Buss) 4 AG-15 Amps.	-28033-15		4	4AG	S46-11783		10	10	7	20	50	F-1601
I-1601	Neon Pilot Bulb	120 Volts, ¼ Watt, 4-½T Screw Candelabra.	VG-7		84		S46-11782		10	2	7	4	6	I-1601
I-1601A	Pilot Lamp Socket	Red or Amber.			7	H.R. Kirkman # 590	S46-11806		10	1	7	2	3	I-1601A
I-1602	Pilot Light Bezel (Amber)				84		M-7415100 P51		10	4	7	8	8	I-1602
I-1603	Pilot Light Bezel (Red)				84		M-7415100 P52		10	2	7	4	4	I-1603

PARTS AND SPARE PARTS LIST

NAVSHIPS 900,946

SECTION 8

8-193

TABLE 8-2 (Continued)

COMBINED PARTS AND SPARE PARTS LIST BY SYMBOL DESIGNATION

FOR NAVY MODELS SR AND SR-a RADAR EQUIPMENTS

See Notes	Symbol Desig.	Function	Description	Navy Type Number	Navy Spec. or Drawing Number	Mfr.	Mfr. Desig.	Special Tol. Rating or Modification	Contractor's Drawing and Part Number	Equip.		Tender		All Symbol Designations Involved	
										Box Number	Quantity	Box Number	Quantity		Stock
AUTO DEHYDRATOR CAKB-10AEK (Continued)															
	I-1604	Glass Indicator Tube				84			M-7415100 P53	10	2	7	4	4	I-1604
	O-1601	Compressor Input Filter	4 $\frac{7}{8}$ Dia. x 2 $\frac{13}{16}$ High Overall.			84			223-11756	10	1	7	1	1	O-1601
	O-1602	Compressor Diaphragm				84			S46-11776	10	12	7	12	24	O-1602
	O-1603	Compressor Driving Belt				84			S46-11777	10	1	7	2	2	Q-1603
	O-1604	Container of Indicating Gel.	6 oz. Blue Indication Gel.			84			G53-11795	10	1	7	1	2	O-1604
	O-1605	Gasket—for Silica Gel Indicator	Gasket, Oil Proof Black Rubber, 1 $\frac{3}{4}$ O. Dia. x $\frac{3}{16}$ I. Dia. x $\frac{1}{8}$ Thick.			84			G53-11729	10	2	7	4	8	O-1605
	O-1606	Diaphragm Wrench	Wrench, Spanner, to Fit 3 $\frac{1}{2}$ Dia. 5 $\frac{7}{8}$ Lg. x $\frac{3}{8}$ Tk. x $\frac{1}{8}$ Wd. Overall.			84			C21-11778	10	1	7	1	2	O-1606
	O-1607	Compressor Head and Valve Wrench	Wrench, 4 $\frac{7}{8}$ Lg. x 1 $\frac{1}{8}$ Wd. x $\frac{23}{32}$ H. Overall. 1 in. Hex. Hole in one End.			84			S46-11779	10	1	7	1	2	O-1607
	O-1608	Unloader Valve				84			S46-11780	10	2	7	2	2	O-1608
	O-1609	Compressor Valve				84			S46-11781	10	2	7	2	2	O-1609
	O-1610	Gasket for Check Valve	Gasket, Rubber, 2 $\frac{7}{32}$ O. Dia. x $\frac{1}{16}$ I. Dia. x $\frac{1}{16}$ Tk. Overall.			84			G53-11601	10	1	7	2	4	O-1610
	O-1611	Check Valve Disk	Valve Disc, Neoprene, $\frac{1}{2}$ Dia. x $\frac{1}{8}$ Tk. Overall.			84			W14-11600	10	2	7	2	5	O-1611
	O-1612	Lead Gasket for Check Valve.	Gasket, Lead, 1 $\frac{3}{8}$ O. Dia. x 1 I. Dia. x $\frac{1}{32}$ Tk. Overall.			84			G53-11599	10	2	7	2	4	O-1612
	O-1613	Compressor Head Gasket				84			S46-11892	10	1	7	2	4	O-1613

ORIGINAL

O-1614	Allen Set Screw Wrench	Socket Type for # 10-32 Screw, 3½ Lg. x ¾ Wd. x ⅜ Hex. Overall.		84		S46-11895	10	1	7	1	1	O-1614
O-1615	Allen Set Screw Wrench	Socket Type for ⅝ Set Screw, 4⅝ Lg. x 1 Wd. x ⅜ Hex. Overall.		84		S46-11896	10	1	7	1	1	O-1615
O-1616	Allen Set Screw Wrench	Socket Type for ⅝ Set Screw, 4¾ Lg. x 1½ Wd. x ⅜ Hex. Overall.		84		S46-11897	10	1	7	1	1	O-1616
O-1617	Compressor			84		S46-11787	10	1	8	2	3	O-1617
O-1618	Solenoid Valve & Fitting	Valve, 4½ Lg. x 2⅜ Dia. Overall.	-303526	103		224-11545	10	2	7	6	9	O-1618
O-1619	Pressure Gauge	Gauge, 2⅞ Dia. x 1⅝ Deep Overall Three .116 Dia. Mtg. Holes Equally Spaced on 2½ Dia. Circle.		104		223-11591	19	1	7	1	1	O-1619
O-1620	Shockmount	Shockmount 3 Sq. x 2⅝ H. Overall, .391 Dia. Center Hole, Four .257 Dia. Mtg. Holes on 2½ x 2½ Centers		84		223-11753	10	1	7	4	8	O-1620
O-1621	Fuse Holder			84		S46-12166	10	1	7	1	2	O-1621
O-1622	Compressor Bearing Set			84		S46-12167	10	2	7	2	3	O-1622
O-1623	Centrifugal Mechanism			84		S46-12163	10	1	7	2	3	O-1623
O-1624	Gel. Cylinder Complete			84		226-11588	0	7	2	4		O-1624
O-1625	Exhaust Orifice	Orifice, Brass, Nickel Plated, ⅝ Hex. x 1½ Lg. Overall, ¼ Pipe Thread One End.		84		M32-11546	0	7	2	4		O-1625
O-1626	Low Pressure Regulator	Regulator, 5¼ Lg. 2 Dia. Overall.		84		223-11566	0	7	1	2		O-1626
O-1627	Check Valve Wrench	Wrench, Angle Shape, 8 Lg. x 5 Wd. of ¼ x ⅝ Steel .080 Tk. x ⅝ Lg. at End of 5 Inch Angle.		84		M-7415100 P46	10	1	7	1	1	O-1627
O-1628	Unloader Spring	Spring, Phosphor Bronze, 30 Turns of .0283 Dia. Wire, 2⅝ Free Lg., 343 Dia.		84		M-7415100 P47	10	1	7	1	1	O-1628
O-1629	Tubing Assy. (Fin.)	Tubing with ⅝ Dia. Circular Fins, 9 Fins Per Inch, Copper, Tin Dipped, with ⅝ Female Tube Nut Each End, 17½ Lg. x 7⅝ Wd. x 1⅝ H.		84		M-7415100 P56	10	1	7	2	2	O-1629
P-1601	Contact Set	Program Clock.		84		S46-12169	10	1	7	1	1	P-1601
S-1601	Power Switch	Line Switch.	-24066	10	80600	223-11573	10	1	7	1	1	S-1601
S-1602	Thermostat (Removable from Gel. Cylinder)	Reset to 410° F. and Capped.	-40181	105	Type #6-732 R.H.	S46-12171	10	2	7	4	8	S-1602
S-1603	Switch Assembly			7	Part #508-1566 ABI	S46-12162	10	1	7	2	3	S-1603

PARTS AND SPARE PARTS LIST

NAVSHIPS 900,946

SECTION 8

8-195

TABLE 8-2 (Continued)

COMBINED PARTS AND SPARE PARTS LIST BY SYMBOL DESIGNATION

FOR NAVY MODELS SR AND SR-a RADAR EQUIPMENTS

See Notes	Symbol Desig.	Function	Description	Navy Type Number	Navy Spec. or Drawing Number	Mfr.	Mfr. Desig.	Special Tol. Rating or Modification	Contractor's Drawing and Part Number	Equip.		Tender		All Symbol Designations Involved	
										Box Number	Quantity	Box Number	Quantity		Stock
	VOLTAGE STABILIZER CG-301252														
	YR-1700	Voltage Stabilizer	Voltage Stabilizer, Rating 57 to 63 Cycle, .85KVA at .93 Power Factor, 103 to 127 V. Line, 110/115/120/125 Volts Output, 30½ lg. x 15⅝ Wd. x 10⅝ H. Overall, Six ⅞ dia. Mtg. Holes on 5 x 5 Centers on Ends x 28 Centers Lengthwise.	-301252		91	69G-383		DL-7502942 L1		0	34	1	1	YR-1700
	SHOCKMOUNTS														
†	O-1801	Shockmount for R.C.U.	Steel-Cadmium Plated Shockmount.			87	# C-2040		M-7414853 P1	7	1	23	4	8	O-1801
†	O-1802	Not Used													
Δ	O-1803	Shockmount for Indicator Console	Steel, Cadmium Plated Shockmount.			87	# C-2090		M-7414853 P3	7	2	23	8	16	O-1803
	O-1803	Shockmount for Indicator Console	Steel, Cadmium Plated Shockmount.			88	Cat. # 20HH-100		M-7414853 P3	7	2	23	8	16	O-1803
	MODULATOR CAY-50AGU—UNITS SERIALS 1 TO 50 INCL.														
	C-2001	Capacitor—Filter B + Supply	4 MFD. ±10%, 600 V.D.C. W.	CP70EIF-405KK	JAN-C-25	47	CP70E-IF405-KK		P-7716039 P1	1	1		2	3	C-2001
	C-2002	Not Used													
	C-2003	Capacitor—Repetition Rate, Grid of V-2002	0.01 MFD. ±10%, 300 V.D.C. W.	CM40C-103K	JAN-C-5	16	CM40-C103-K		P-7716039 P3	1	1		2	2	C-2003, C-2004
	C-2004	Capacitor—By-Pass Screen and Plate of V-2003	Same as C-2003.	CM40C-103K											
	C-2005	Capacitor—Coupling Grid of V-2006	0.01 MFD. ±10%, 1200 V.D.C. W.	CM50B-103K	JAN-C-5	97	CM50-B103K		P-7716039 P5	1	1		1	1	C-2005

8-196

ORIGINAL

SECTION 8

NAVSHIPS 900,946

PARTS AND SPARE PARTS LIST

ORIGINAL

C-2006	Capacitor—Pulse Shaping Cathode of V-2003	51 MMF. $\pm 5\%$, 2500 V.D.C. W.	CM45B-510J	JAN-C-5	97 12 16	CM45-B510J	P-7716039 P6	1	1	1	1	C-2006
E-2001	Terminal Block for External Connector	Terminal Strip—8 Terminals.			21	# 8-142	P-7716089 P1	1	1	1	2	E-2001
E-2001A	Marking Strip	Strip for E-2001.			1		M-7420323 P1	1	1	1	2	E-2001A
E-2002	Stand-Off Insulator for Resistor	Insulator.	-61216-S		1	S# 867-548	M-7409880 P1	1	6	11	22	E-2002, E-2003 E-2004, E-2007
E-2003	Stand-Off Insulator	Same as E-2002.	-61216-S									
E-2004	Stand-Off Insulator	Same as E-2002.	-61216-S									
E-2005	Not Used											
E-2006	Insulating Strip	Rectangular Micarta Plate.			1		M-7414546 P4	1	1	1	2	E-2006
E-2007	Stand-Off Insulator	Same as E-2002.	-61216-S									
F-2001A	Fuse—Main Power Supply	8 Amps., 250 Volts.	-28032-8		31	3AG-#1360	P-7716040 P1	1	20	40	100	F-2001A, F-2002A
F-2001B	Fuse Holder	Fuse Holder.			4	HCM	P-7716040 P2	18	1	1	2	F-2001B, F-2002B
F-2002A	Fuse—Main Power Supply	Same as F-2001A.										
F-2002B	Fuse Holder	Same as F-2001B.										
H-2001	Thumb Screw for Front Panel	Thumb Screw.			1		M-7411291 P1	1	0	15	30	H-2001
H-2002	Resistor Clip	Fuse Clip			1		M-7403088 P1	1	2	3	12	H-2002
I-2001	Lamp—Fuse Indicating	Neon Bulb, 1/25 Watt, Bayonet Base.			1	T2-NE-15	P-7716041 P1	1	4	8	12	I-2001, I-2002
I-2001A	Receptacle—Indicating Lamp	Bayonet Base Socket.			5	PLN-844-NE 15-H	P-7716041 P2	1	1	1	2	I-2001A, I-2002A
I-2002	Lamp—Fuse Indicating	Same as I-2001.										

† Mfr. 87 to be supplied on Units Serial Nos. 26 and up on Contract NXsr-30306.
 Δ Mfr. 88 used on Units Serials 1 to 25 incl. on Contract NXsr-30306.

PARTS AND SPARE PARTS LIST

NAVSHIPS 900,946

SECTION 8

8-197

TABLE 8-2 (Continued)

COMBINED PARTS AND SPARE PARTS LIST BY SYMBOL DESIGNATION

FOR NAVY MODELS SR AND SR-a RADAR EQUIPMENTS

See Notes	Symbol Desig.	Function	Description	Navy Type Number	Navy Spec. or Drawing Number	Mfr.	Mfr. Desig.	Special Tol. Rating or Modification	Contractor's Drawing and Part Number	Equip.		Tender		All Symbol Designations Involved
										Box Number	Quantity	Box Number	Quantity	
	MODULATOR CAY-50AGU—UNITS SERIALS 1 TO 50 INCL. (Continued)													
	I-2002A	Receptacle—Indicating Lamp	Same as I-2001A.											
	J-2001	Receptacle—Jack 15 Kv. Pulse Output	Pulse Connector, Receptacle Type "B" Air to Air.	UG-37/U		19	UG-37/U		P-7716042 P1	1	1	2	4	J-2001, J-2002
	J-2002	Receptacle—Jack Hv. Input	Same as J-2001.	UG-37/U										
	J-2003	Test Point—Grid of V-2002	Pin Jack.			18	78I P		P-7716042 P3	1	1	2	4	J-2003, J-2004
	J-2004	Test Point—Grid of V-2006	Same as J-2003.											
	K-2001	Relay—Grid of V-2006 Radiation Switch	D.P.D.T., 115 V., 60 Cycle Coil. Solder Terminals and Small Metal Base. All Phenolic Material to be per JAN-P-13.	-29987		98	10XB-X-129		P-7716043 P1	1	1	2	3	K-2001
	K-2002	Relay Time Delay	Quick Reset, 2 Sec. to 50 Min. Time Delay, Set Time Delay at 5 Min., 115 V.A.C. Coil Contacts—20/15 Amps. at 115/230 V. 2 Amps. at 125 V. D.C.	-291523		1	TK-S# 105-9953		P-7716043 P2	1	1	2	3	K-2002
	L-2001	Choke—B + Supply	10 Henries, 110 Ma., 2550 Turns, # 29 Enam. Wire, 92 Ohms ± 15%.	-303-040		1			L-426666	1	1	2	3	L-2001
	L-2002	Choke—Resonant Charging	10.3 Henries, 178 Ma., 880 Turns, # 26 DBL. Enamel Wire, 145 Ohms ± 15%.	-303038		1			L-426619	1	2	4	6	L-2002, L-2003
	L-2003	Choke—Resonant Charging	Same as L-2002.											
	O-2001	Shockmount for Modulator Unit	Steel, Cadmium Plated Shockmount.			87	C-2040		P-7716091 P1	1	0	2	8	O-2001

ORIGINAL

O-2002	Tube Clamp for V-2006	Screw Clamp.			1		M-7410895 G1	1	1	1	1	O-2002
O-2003	Clamp for T-2002	Holding Clamp.			1		P-7710222 P1	1	1	1	1	O-2003
O-2004	Tube Clamp for V-2003	Snap Clamp.			1		T-7611463 G9	1	1	1	1	O-2004
O-2005	Tube Clamp for V-2001	Snap Clamp.			1		T-7611463 G6	1	1	1	1	O-2005
O-2006	Tube Clamp for V-2002	Snap Clamp.			1		T-7611463 G31	1	1	1	1	O-2006
P-2001	Plug—15 Kv. Pulse Output	Pulse Connector, Plug, Type "B" for Use with RG-27/U Cable.	UG-36/U		19	UG-36/U	P-7716045 P1	1	1	2	4	P-2001, P-2002
P-2002	Plug—H.V. Input	Same as P-2001.	UG-36/U									
R-2001	Potentiometer—Repetition Rate	500,000 Ohms \pm 10%, 2 Watts, with Shaft Locking.	-631497-10		11	Type J and Y-5488D	P-7716046 P1	1	1	2	4	R-2001
R-2002	Resistor—Coupling Cathode of V-2003	15,000 Ohms \pm 5%, 1 Watt, Composition.	RC30BF-153J	JAN-R-11	29	RC30B-F153J	P-7716046 P2	1	1	4	8	R-2002, R-2003
R-2003	Resistor—Coupling Cathode of V-2003	Same as R-2002.	RC30BF-153J									
R-2004	Resistor—Grid Return of V-2006	33,000 Ohms \pm 10%, 1 Watt, Composition.	RC30BE-333K	JAN-R-11	29	RC30BE333-K	P-7716046 P4	1	1	2	4	R-2004
R-2005	Resistor—Damping	80 Ohms \pm 5%, 15 Watts, Ferrule Type, Grade 1, Class 1, Noninductive.	-632262-5		16	15NIF	P-7716046 P5	1	3	12	24	R-2005, R-2006 R-2007, R-2008 R-2009, R-2010
R-2006	Resistor—Damping	Same as R-2005.	-632262-5									
R-2007	Resistor—Damping	Same as R-2005.	-632262-5									
R-2008	Resistor—Damping	Same as R-2005.	-632262-5									
R-2009	Resistor—Damping	Same as R-2005.	-632262-5									
R-2010	Resistor—Damping	Same as R-2005.	-632262-5									
R-2011	Resistor—Fuse Indicator Dropping	120,000 Ohms \pm 10%, 1 Watt, Composition.	RC30BF-124K	JAN-R-11	11	RC30B-F124K	P-7716046 P11	1	1	4	8	R-2011, R-2012
R-2012	Resistor—Fuse Indicator Dropping	Same as R-2011.	RC30BF-124K									

PARTS AND SPARE PARTS LIST

NAVSHIPS 900,946

SECTION 8

TABLE 8-2 (Continued)

COMBINED PARTS AND SPARE PARTS LIST BY SYMBOL DESIGNATION

FOR NAVY MODELS SR AND SR-a RADAR EQUIPMENTS

See Notes	Symbol Desig.	Function	Description	Navy Type Number	Navy Spec. or Drawing Number	Mfr.	Mfr. Desig.	Special Tol. Rating or Modification	Contractor's Drawing and Part Number	Equip.		Tender		All Symbol Designations Involved
										Box Number	Quantity	Box Number	Quantity	
MODULATOR CAY-50AGU—UNITS SERIALS 1 TO 50 INCL. (Continued)														
	R-2013	Resistor—Repetition Rate	330,000 Ohms \pm 10%. 1 Watt. Com-position	RC30BF-334K	JAN-R-11	11	RC30B-F334K		P-7716046 P13	1	1	2	4	R-2012
	S-2001	Switch—Interlock Shorting	3 Amps., 250 Volts; S.P.S.T., Toggle	-24115		10			P-7708223 P1	1	1	1	2	S-2001, S2004,
	S-2002	Switch—Interlock	Microswitch, S.P.S.T.	-24449		13	YZ7R-QIT		P-7716047 P2	1	1	1	2	S-2002, S-2003
	S-2003	Switch—Interlock	Same as S-2002.											
	S-2004	Switch—Interlock Shorting	Same as S-2001.	-24115										
	T-2001	Transformer—Trigger Supply	138 Va., 60 Cycle. Wdg. Volts Amps. Turns Wire Res. P 115 1.15 250 #18 1.02 S1 6.3 14.9 14 .081X .00876 .129 S2 275 — 0.061 1210 #28 65.3 275 S3 5.0 2 12 #14 .028 S4 6.3 1 15 #22 .22	-303001		1			L-426611	1	1	2	3	T-2001
	T-2002	Transformer—Feedback Oscillator	600 Cycle Operation. Wdg. Volts Turns Wire Res. P 125 100 #36 10 S1 125 100 #36 9 S2 125 100 #36 23 S3 125 100 #36 23	-303039		1			L-426621	1	1	2	3	T-2002
	T-2003	Transformer—Pulse	1440 Kw. Wdg. Volts Turns Wire Res. 1-2 6000 88 #26 1-3 8484 124 #26 0.837	-303003		1			L-426625	1	1	2	3	T-2003

ORIGINAL

T-2004	Transformer—Filament of V-2005	55 Va., 60 Cycle. Wdg. Volts Amps. Turns Wire Res. P 115 .478 600 #24 5.8 S 5 11 29 #24 .032 Has Jumbo 4 Pin Socket Included as Part of Transformer Assembly.	-303002		1		L-426616	1	1	4	6	T-2004, T-2005
T-2005	Transformer—Filament of V-2004	Same as T-2004.										
V-2001	Vacuum Tube—Rectifier	Full Wave, High Vacuum Rectifier Tube. Glass Bulb. Medium Shell, Octal 5 Pin Base. Heater Current 5 Volts, 3 Amps.	-5U4G	JAN-1A	95	5U4G	P-7716049 P1	2	3	0		V-2001
V-2002	Vacuum Tube—Trigger Oscillator	Twin Triode Amplifier Tube, Glass. Intermediate Shell, Octal 8 Pin Base. Heater Current 6.3 Volts, 0.6 Amp.	-6SN7W	JAN-1A	95	6SN7W	P-7716049 P2	2	3	0		V-2002
V-2003	Vacuum Tube—Trigger Amplifier	Transmitting Pentode, Audio Frequency Power Amplifier. Glass, 5 Pin Base Type, Small Metal Plate Cap. Heater Current 6.3 Volts, 0.9 Amp. 25 Watts Plate Dissipation.	-807	JAN-1A	1	807	P-7716049 P3	2	3	0		V-2003
V-2004	Tube—Circuit Isolation	Half Wave Rectifier, Filament, 5 Volts, 10.5 Amps., Jumbo Base, 4 Pin Cap, 0.359 Dia. x 0.438 Long.	371-B	JAN-1A	96	371-E	P-7716049 P4	4	6	0		V-2004, V-2005
V-2005	Tube—Damping Diode	Same as V-2004.	371-B									
V-2006	Gas Tube—Discharge Network	Hydrogen—Thyratron. Filament, 6.3 Volts 7.5 to 10.5 Amps. Base RMA-4310 Metal. 0.566 Dia. Cap.	5C22	JAN-1A	95	5C22	P-7716049 P6	3	6	0		V-2006
X-2001	Socket for V-2001	Octal Molded Phenolic Socket.	-49374		18	MIP-8TM	P-7716050 P1	1	1	1	2	X-2001, X-2002
X-2002	Socket for V-2002	Same as X-2001.	-49374									
X-2003	Socket for V-2003	Medium 5 Pin Phenolic Socket.	-49375		18	MIP-5TM	P-7716050 P3	1	1	1	1	X-2003
X-2004	Socket for V-2004	Part of T-2005.										
X-2005	Socket for V-2005	Part of T-2004.										
X-2006	Socket for V-2006	Super—Jumbo 4 Pin Socket.			1	#S793-202	P-7716050 P6	1	1	1	1	X-2006
Z-2001	Network—Pulse Forming	4 Microseconds, 13.2 Kv., 150 Cycles, 25 Ohms.			1	S# 139-7308	P-7716051 P1	1	1	2	3	Z-2001

PARTS AND SPARE PARTS LIST

NAVSHIPS 900,946

SECTION 8

8-201

TABLE 8-2 (Continued)

COMBINED PARTS AND SPARE PARTS LIST BY SYMBOL DESIGNATION

FOR NAVY MODELS SR AND SR-a RADAR EQUIPMENTS

See Notes	Symbol Desig.	Function	Description	Navy Type Number	Navy Spec. or Drawing Number	Mfr.	Mfr. Desig.	Special Tol. Rating or Modification	Contractor's Drawing and Part Number	Equip.		Tender		All Symbol Designations Involved	
										Box Number	Quantity	Box Number	Quantity		Stock
	MODULATOR CAY-50AGU—UNITS SERIALS 51 AND UP														
3,4	C-2001	Capacitor—Filter B + Supply	4 MFD. ±10%, 600 V.D.C. W.	CP70EIF- F405KK	JAN-C-5	1	CP70E- IFF405- KK		P-7716039 P1	18	1	36	2	3	C-2001
	C-2002	Not Used													
3,4	C-2003	Capacitor—Repetition Rate, Grid of V-2002	0.01 MFD. ±10%, 300 V.D.C. W.	CM40C- 103K	JAN-C-5	16	CM40- C103- K		P-7716039 P3	18	1	36	2	2	C-2003, C-2004
3,4	C-2004	Capacitor—By-Pass Screen and Plate of V-2003	Same as C-2003.	CM40C- 103K											
3,4	C-2005	Capacitor—Coupling Grid of V-2006	0.01 MFD. ±10%, 1200 V.D.C. W.	CM50B- 103K	JAN-C-5	97	CM50- B103K		P-7716039 P5	18	1	36	1	1	C-2005
3,4	C-2006	Capacitor—Pulse Shaping Cathode of V-2003	51 MMF. ±5%, 2500 V.D.C. W.	CM45B- 510J	JAN-C-5	97	CM45- B510J		P-7716039 P6	18	1	36	1	1	C-2006
3,4	E-2001	Terminal Block for External Connector	Terminal Strip—8 Terminals.			21	#8-142		P-7716089 P1	18	1	36	1	2	E-2001
3,4	E-2001A	Marking Strip for E-2001	5 $\frac{7}{16}$ x $\frac{1}{2}$ Micarta.			1			M-7420323 P1	18	1	36	1	2	E-2001A
3,4	E-2002	Standoff Insulator for Resistors	Insulator—1 $\frac{3}{4}$ Lg. x $\frac{3}{4}$ Sq., Mol-darta.	-61216-S		1	S#867- 548		M-7409880 P3	18	5	36	9	18	E-2002
	E-2003	Not Used													
	E-2004	Not Used													
	E-2005	Not Used													
3,4	E-2006	Insulating Strip for E-2001	5 $\frac{7}{16}$ x 1 $\frac{1}{16}$, Micarta.			1			M-7414546 P4	18	1	36	1	2	E-2006

8-202

SECTION 8

NAVSHIPS 900,946

PARTS AND SPARE PARTS LIST

ORIGINAL

ORIGINAL

	E-2007	Not Used													
3,4	E-2008	Terminal Block	7 Terminals.		21	7-141	P-7716089 P9	18	1	36	1	2	E-2008		
3,4	E-2008A	Marking Strip for E-2008	3 ¹⁵ / ₁₆ x 7/ ₁₆ , Micarta.		1		K-7821066 P1	18	1	36	1	2	E-2008A		
3,4	E-2009	Insulating Strip E-2008	3 ⁷ / ₈ x 1 ¹ / ₈ , Micarta.		1		P-7716331 P6	18	1	36	1	2	E-2009		
3,4	E-2010	H.V. Resistor Board for R-2014 and R-2015	7 ¹ / ₄ x 3, Micarta.		1		M-7421036 P1	18	1	36	1	2	E-2010		
3,4	E-2011	Resistor Board for C-2003, C-2004, R-2002, R-2003 & R-2004	4 x 2 ¹ / ₂ Micarta with Terms.		1		M-7420395 G2	18	1	36	1	2	E-2011		
3,4	E-2012	Insulator for SG-2001	1 ¹ / ₄ x 5/ ₈ of 1/2 Tk, Micarta.		1		K-7821127 P1	18	1	36	1	2	E-2012		
3,4	E-2013	Spring—Contact for SG-2001	2 Lg. x 1/2 W.—Phos. Bz. with Silver Plate		1		K-7821128 P1	18	1	36	2	5	E-2013		
3,4	F-2001A	Fuse—Main Power Supply	8 Amps., 250 Volts.	-28032-8	31	3AG- #1360	P-7716040 P1	18	20	36	40	100	F-2001A, F-2002A		
3,4	F-2001B	Fuse Holder	Fuse Holder.		4	HCM	P-7716040 P2	18	1	36	1	2	F-2001B, F-2002B		
3,4	F-2002A	Fuse—Main Power Supply	Same as F-2001A.												
3,4	F-2002B	Fuse Holder	Same as F-2001B.												
4	H-2001	Thumb Screw for Front Panel	Thumb Screw 10-32 Thd.		1		M-7411291 P1		0	36	15	30	H-2001		
3,4	H-2002	Resistor Clip	Clip for 7/ ₁₆ Dia. Ferrule.		1		M-7403088 P1	18	2	36	3	12	H-2002		
4	H-2003	Thumb Screw for Trigger Unit	Thumb Screw 1/4-20 Thd.		1		M-7420087 P2		0	36	3	5	H-2003		
3,4	I-2001	Lamp—Fuse Indicating	Neon Bulb, 1/25 Watt, Bayonet Base.		1	T2-NE- 15	P-7716041 P1	18	4	36	8	12	I-2001, I-2002		
3,4	I-2001A	Receptacle— Indicating Lamp	Bayonet Base Socket.		5	PLN- 844-NE 15-H	P-7716041 P2	18	1	36	1	2	I-2001A, I-2002A		
3,4	I-2002	Lamp—Fuse Indicating	Same as I-2001.												
3 Supplied on Units Serials 301 and up on Equipment Spares.					4 Supplied on Units Serials 201 and up on Tender and Stock Spares.										

PARTS AND SPARE PARTS LIST

NAVSHIPS 900,946

SECTION 8

8-203

TABLE 8-2 (Continued)

COMBINED PARTS AND SPARE PARTS LIST BY SYMBOL DESIGNATION

FOR NAVY MODELS SR AND SR-a RADAR EQUIPMENTS

See Notes	Symbol Desig.	Function	Description	Navy Type Number	Navy Spec. or Drawing Number	Mfr.	Mfr. Desig.	Special Tol. Rating or Modification	Contractor's Drawing and Part Number	Equip.		Tender		All Symbol Designations Involved	
										Box Number	Quantity	Box Number	Quantity		Stock
	MODULATOR CAY-50AGU—UNITS SERIALS 51 AND UP (Continued)														
3,4	I-2002A	Receptacle— Indicating Lamp	Same as I-2001A.												
3,4	J-2001	Receptacle—Jack 15 Kv. Pulse Output	Pulse Connector, Receptacle Type "B" Air to Air.	UG-37/U		19	UG- 37/U		P-7716042 P1	18	1	36	2	4	J-2001, J-2002
3,4	J-2002	Receptacle—Jack Hv. Output	Same as J-2001.	UG-37/U											
3,4	J-2003	Test Point—Grid of V-2002	Pin Jack—Black.			18	78 IP		P-7716042 P3	18	1	36	2	4	J-2003, J-2004
3,4	J-2004	Test Point—Grid of V-2006	Same as J-2003.												
3,4	K-2001	Relay—Grid of V-2006 Radiation Switch	D.P.D.T., 115 V., 60 Cycle Coil. Solder Terminals and Small Metal Base. All Phenolic Material to be per JAN-P-13.	-29987		98	10XB- X-129		P-7716043 P1	18	1	36	2	3	K-2001
3,4	K-2002	Relay Time Delay	Quick Reset, 2 Sec. to 50 Min. Time Delay, Set Time Delay at 5 Min., 115 V.A.C. Coil Contacts—20/15 Amps. at 115/230 V. 2 Amps. at 125 V. D.C.	-291523		1	TK- S# 105- 9953		P-7716043 P2	18	1	37	2	3	K-2002
3,4	L-2001	Choke—B + Supply	10 Henries, 110 Ma., 2550 Turns, # 29 Enam. Wire, 92 Ohms ± 15%.	-303040		1			L-426666	18	1	37	2	3	L-2001
3,4	L-2002	Choke—Resonant Charging	10.3 Henries, 178 Ma., 880 Turns, # 26 DBL. Enamel Wire, 145 Ohms ± 15%.	-303038		1			L-426619	18	2	37	4	6	L-2002, L-2003
3,4	L-2003	Choke—Resonant Charging	Same as L-2002.												
4	L-2004	Choke—Plate	3.8 Microhenries, 16 Turns, 10 x 30 Aeroglas 1250 V. Wire.			1			M-7421503 G2		0	36	1	1	L-2004

ORIGINAL

4	O-2001	Shockmount for Modulator Unit	Steel, Cadmium Plated Shockmount.			87	C-2040		P-7716091 P1		0	36	2	8	O-2001
3,4	O-2002	Tube Clamp for V-2006	Screw Clamp, 2 $\frac{3}{16}$ I.D.			1			M-7410895 G1	18	1	36	1	1	O-2002
3,4	O-2003	Clamp for T-2002	Holding Clamp, 2 I.D.—Two Mtg. Feet.			1			P-7710222 P1	18	1	36	1	2	O-2003
3,4	O-2004	Tube Clamp for V-2003	Snap Clamp, 1 $\frac{1}{2}$ I.D. Arm 90° to Mtg. Foot.			1			T-7611463 G9	18	1	36	1	1	O-2004
3,4	O-2005	Tube Clamp for V-2001	Snap Clamp, 1 $\frac{1}{2}$ I.D. Arm Opp. Mtg. Foot.			1			T-7611463 G32	18	1	36	1	1	O-2005
3,4	O-2006	Tube Clamp for V-2002	Snap Clamp, 1 $\frac{3}{16}$ I.D. Arm Opp. Mtg. Foot.			1			T-7611463 G31	18	1	36	1	1	O-2006
3,4	P-2001	Plug—15 Kv. Pulse Output	Pulse Connector, Plug, Type "B" for Use with RG-27/U Cable.	UG-36/U		19	UG-36/U		P-7716045 P1	18	1	36	2	4	P-2001, P-2002
3,4	P-2002	Plug—H.V. Input	Same as P-2001.	UG-36/U											
3,4	R-2001	Potentiometer—Repetition Rate	500,000 Ohms \pm 10%, 2 Watts, with Shaft Locking.	-631497-10		11	Type J and Y-5488D		P-7716046 P1	18	1	36	2	4	R-2001
3,4	R-2002	Resistor—Coupling Cathode of V-2003	15,000 Ohms \pm 10%, 1 Watt, Composition.	RC30BF-153J	JAN-R-11	29	RC30B-F153J		P-7716046 P2	18	1	36	4	8	R-2002, R-2003
3,4	R-2003	Resistor—Coupling Cathode of V-2003	Same as R-2002.	RC30BF-153J											
3,4	R-2004	Resistor—Grid Return of V-2006	33,000 Ohms \pm 10%, 1 Watt, Composition.	RC30BE-333K	JAN-R-11	29	RC30-BE333-K		P-7716046 P4	18	1	36	2	4	R-2004
3,4	R-2005	Resistor—Damping	80 Ohms \pm 5%, 15 Watts, Koolohm Type NIF. Grade 1, Class 1.	-632262-5		16	15NIF		P-7716046 P5	18	3	36	12	24	R-2005, R-2006 R-2007, R-2008 R-2009, R-2010
3,4	R-2006	Resistor—Damping	Same as R-2005.	-632262-5											
3,4	R-2007	Resistor—Damping	Same as R-2005.	-632262-5											
3,4	R-2008	Resistor—Damping	Same as R-2005.	-632262-5											
3,4	R-2009	Resistor—Damping	Same as R-2005.	-632262-5											
3,4	R-2010	Resistor—Damping	Same as R-2005.	-632262-5											
3 Supplied on Units Serials 301 and up on Equipment Spares.				4 Supplied on Units Serials 201 and up on Tender and Stock Spares.											

PARTS AND SPARE PARTS LIST

NAVSHIPS 900,946

SECTION 8

8-205

TABLE 8-2 (Continued)

COMBINED PARTS AND SPARE PARTS LIST BY SYMBOL DESIGNATION

FOR NAVY MODELS SR AND SR-a RADAR EQUIPMENTS

See Notes	Symbol Desig.	Function	Description	Navy Type Number	Navy Spec. or Drawing Number	Mfr.	Mfr. Desig.	Special Tol. Rating or Modification	Contractor's Drawing and Part Number	Equip.		Tender		All Symbol Designations Involved
										Box Number	Quantity	Box Number	Quantity	
MODULATOR CAY-50AGU—UNITS SERIALS 51 AND UP (Continued)														
3,4	R-2011	Resistor—Fuse Indicator Dropping	120,000 Ohms \pm 10%, 1 Watt, Composition.	RC30BF-124K	JAN-R-11	11	RC30B-F124K		P-7716046 P11	18	1	36	4	8 R-2011, R-2012
3,4	R-2012	Resistor—Fuse Indicator Dropping	Same as R-2011.	RC30BF-124K										
3,4	R-2013	Resistor—Repetition Rate	330,000 Ohms \pm 10%, 1 Watt, Composition.	RC30BF-334K	JAN-R-11	11	RC30B-F334K		P-7716046 P13	18	1	36	2	4 R-2013
3,4	R-2014	Resistor—H.V. Bleeder	6 Meg., 5 Watts.	-633286-15		1			P-7710395 G1	18	1	36	3	5 R-2014, R-2015
3,4	R-2015	Resistor—H.V. Bleeder	Same as R-2014.											
3,4	S-2001	Switch—Interlock Shorting	3 Amps., 250 Volts, S.P.S.T., Toggle	-24115		10			P-7708223 P1	18	1	36	1	2 S-2001, S-2004 S-2005
3,4	S-2002	Switch—Interlock	Microswitch, S.P.S.T.	-24449		13	YZ7R-QIT		P-7716047 P2	18	1	36	1	2 S-2002, S-2003
3,4	S-2003	Switch—Interlock	Same as S-2002.											
3,4	S-2004	Switch—Interlock Shorting	Same as S-2001.	-24115										
3,4	S-2005	Switch—Time Delay Relay Shorting	Same as S-2001.	-24115										
3,4	SG-2001	Spark Gap—Protective	Gas Filled—1200 Volt Breakdown.			7	95X-446		P-7716047 P15	18	3	36	6	0 SG-2001

ORIGINAL

3,4	T-2001	Transformer— Trigger Supply	138 Va., 60 Cycle. Wdg. Volts Amps. Turns Wire Res. P 115 1.15 250 #18 1.02 S1 6.3 14.9 14 .081X .00876 .129 S2 275 — 0.061 1210 #28 65.3 275 S3 5.0 2 12 #14 .023 S4 6.3 1 15 #22 .22	-303001		1			L-426611	18	1	37	2	3	T-2001
3,4	T-2002	Transformer— Feedback Oscillator	600 Cycle Operation. Wdg. Volts Turns Wire Res. P 125 100 #36 10 S1 125 100 #36 9 S2 125 100 #36 23 S3 125 100 #36 23	-303039		1			L-426621	18	1	36	2	3	T-2002
3,4	T-2003	Transformer— Pulse	1440 Kw. Wdg. Volts Turns Wire Res. 1-2 6000 88 #26 1-3 8484 124 #26 0.837	-303003		1			L-426625	18	1	36	2	3	T-2003
3,4	T-2004	Transformer—Fil- ament of V-2005	55 Va., 60 Cycle. Wdg. Volts Amps. Turns Wire Res. P 115 .478 600 #24 5.8 S 5 11 29 #24 .032 Has Jumbo 4 Pin Socket Included as Part of Transformer Assembly.	-303002		1			L-426616	18	1	37	4	6	T-2004, T-2005
3,4	T-2005	Transformer—Fil- ament of V-2004	Same as T-2004.	-303002											
3,4	V-2001	Vacuum Tube— Rectifier	Full Wave, High Vacuum Rectifier Tube. Glass Bulb. Medium Shell, Octal 5 Pin Base. Heater Current 5 Volts, 3 Amp.	-5U4G	JAN-1A	95	5U4G		P-7716049 P1	19	2	38	3	0	V-2001
3,4	V-2002	Vacuum Tube— Trigger Oscil- lator	Twin Triode Amplifier Tube, Glass. Intermediate Shell, Octal 8 Pin Base. Heater Current 6.3 Volts, 0.6 Amps.	-6SN7W	JAN-1A	95	6SN7W		P-7716049 P2	19	2	38	3	0	V-2002
3,4	V-2003	Vacuum Tube— Trigger Ampli- fier	Transmitting Pentode, Audio Fre- quency Power Amplifier. Glass, 5 Pin Base Type, Small Metal Plate Cap. Heater 6.3 Volts, 0.9 Amp. 25 Watts Plate Dissipation.	-807	JAN-1A	1	807		P-7716049 P3	19	2	38	3	0	V-2003
3,4	V-2004	Tube—Circuit Isolation	Half Wave Rectifier, Filament, 5 Volts, 10.5 Amps., Jumbo Base, 4 Pin Cap, 0.359 Dia. x 0.438 Long.	-371-B	JAN-1A	96	371-B		P-7716049 P4	19	4	38	6	0	V-2004, V-2005
3 Supplied on Units Serials 301 and up on Equipment Spares.					4 Supplied on Units Serials 201 and up on Tender and Stock Spares.										

PARTS AND SPARE PARTS LIST

NAVSHIPS 900,946

SECTION 8

8-207

COMBINED PARTS AND SPARE PARTS LIST BY SYMBOL DESIGNATION

FOR NAVY MODELS SR AND SR-a RADAR EQUIPMENTS

See Notes	Symbol Desig.	Function	Description	Navy Type Number	Navy Spec. or Drawing Number	Mfr.	Mfr. Desig.	Special Tol. Rating or Modification	Contractor's Drawing and Part Number	Equip.		Tender		All Symbol Designations Involved
										Box Number	Quantity	Box Number	Quantity	
MODULATOR CAY-50AGU—UNITS SERIALS 51 AND UP (Continued)														
3,4	V-2005	Tube—Damping Diode	Same as V-2004.	-371-B										
3,4	V-2006	Gas Tube—Discharge Network	Hydrogen—Thyratron. Filament, 6.3 Volts 7.5 to 10.5 Amps. Base RMA-4310 Metal. 0.566 Dia. Cap.	-5C22	JAN-1A	95	5C22		P-7716049 P6	19	3	38	6	0 V-2006
3,4	X-2001	Socket for V-2001	Octal Molded Phenolic Socket.	-49374		18	MIP-8TM		P-7716050 P1	18	1	36	1	2 X-2001, X-2002
3,4	X-2002	Socket for V-2002	Same as X-2001.	-49374										
3,4	X-2003	Socket for V-2003	Medium 5 Pin Phenolic Socket.	-49375		18	MIP-5TM		P-7716050 P3	18	1	36	1	1 X-2003
3,4	X-2004	Socket for V-2004	Part of T-2005.											
3,4	X-2005	Socket for V-2005	Part of T-2004.											
3,4	X-2006	Socket for V-2006	Super—Jumbo 4 Pin Socket.			1	S # 793-202		P-7716050 P6	18	1	36	1	1 X-2006
3,4	Z-2001	Network—Pulse Forming	4 Microseconds, 13.2 Kv., 150 Cycles, 25 Ohms.			1	S # 139-7308		P-7716051 P1	18	1	37	2	3 Z-2001
ANTENNA														
	A-13001	Blue Antenna Complete				1			M-7412869 G1	0	0	0	1	A-13001
	A-13002	Yellow Green Antenna Complete				1			M-7412869 G5	0	0	0	1	A-13002
	A-13003	Not Used												
	A-13004	Not Used												

8-208

SECTION 8

NAVSHIPS 900,946

PARTS AND SPARE PARTS LIST

ORIGINAL

ORIGINAL

A-13005	Leg Upper Right —Blue Antenna		1		P-7711299 G1	0	4	1	1	A-13005	
A-13006	Leg Lower Left— Blue Antenna		1		P-7711300 G1	0	3	1	1	A-13006	
A-13007	Leg Lower Right —Blue Antenna		1		P-7711301 G1	0	2	1	1	A-13007	
A-13008	Leg Upper Left— Blue Antenna		1		P-7711302 G1	0	4	1	1	A-13008	
A-13009	Leg Upper Right —Yellow Green Antenna		1		P-7711566 G1	0	2	1	1	A-13009	
A-13010	Leg Lower Right —Yellow Green Antenna		1		P-7711567 G1	0	2	1	1	A-13010	
A-13011	Leg Lower Left— Yellow Green Antenna		1		P-7711568 G1	0	3	1	1	A-13011	
A-13012	Leg Upper Left— Yellow Green Antenna		1		P-7711569 G1	0	4	1	1	A-13012	
A-13013	Support—Con- centric Lines		1		P-7713602 G1	0	2	2	2	A-13013	
A-13014	Support—Con- centric Lines		1		M-7415703 G1	0	4	2	2	A-13014	
A-13015	Support—Con- centric Lines Yellow Green		1		T-7613596 G1	0	4	1	1	A-13015	
A-13016	Support—Concen- tric Lines Yellow Green		1		T-7613596 G2	0	4	1	1	A-13016	
A-13017	Support—Concen- tric Lines Blue		1		T-7613597 G1	0	2	1	1	A-13017	
A-13018	Support—Concen- tric Lines Blue		1		T-7613597 G2	0	2	1	1	A-13018	
E-13001	Not Used										
E-13002	Insulator	-61586	1		M-7412632 P1	16	4	4	8	16	E-13002

3 Supplied on Units Serials 301 and up on Equipment Spares.

4 Supplied on Units Serials 201 and up on Tender and Stock Spares.

PARTS AND SPARE PARTS LIST

NAVSHIPS 900 946

SECTION 8

8-209

TABLE 8-2 (Continued)

COMBINED PARTS AND SPARE PARTS LIST BY SYMBOL DESIGNATION

FOR NAVY MODELS SR AND SR-a RADAR EQUIPMENTS

See Notes	Symbol Desig.	Function	Description	Navy Type Number	Navy Spec. or Drawing Number	Mfr.	Mfr. Desig.	Special Tol. Rating or Modification	Contractor's Drawing and Part Number	Equip.		Tender		All Symbol Designations Involved	
										Box Number	Quantity	Box Number	Quantity		Stock
	ANTENNA (Continued)														
	E-13003	Not Used													
	E-13004	Insulator		-61585		1			K-7816110 P1	16	1	4	1	2	E-13004
	E-13005	Insulator Output Reducer				1			M-7415839 P1	16	1	4	1	2	E-13005
	E-13006	Insulator, Balance Converter, Blue				1			M-7416102 P1	16	1	4	1	2	E-13006
	E-13007	Insulator, Balance Converter, Yellow Green				1			M-7416898 P1	16	1	4	1	2	E-13007
	E-13008 and E-13009	Not Used													
	E-13010	Balance Converter Assembly Blue				1			M-7416105 G2	0	1	1	1	1	E-13010
	E-13011	Interior of Pedestal	Assembly.			1			T-7613231 P3 to P24, P61 to P66	0	4	1	1	1	E-13011
	E-13012	Dipoles and Feed Line—Blue	Assembly.			1			T-7613231 P25 to P31	0	3	1	1	1	E-13012
	E-13013	Transmission Lines, Blue	Assembly.			1			T-7613231 P32 to P37	0	2	1	1	1	E-13013
	E-13014	Main Concentric Line—Blue	Assembly.			1			M-7412863 G3	0	1	1	1	1	E-13014
	E-13015	Pedestal Elbow—Blue	Assembly.			1			T-7613231 P39 P40	0	4	1	1	1	E-13015
	E-13016	Dipoles and Feed Lines—Yellow Green	Assembly.			1			T-7613231 P41 to P47	0	3	1	1	1	E-13016

8-210

ORIGINAL

SECTION 8

NAVSHIPS 900,946

PARTS AND SPARE PARTS LIST

ORIGINAL

E-13017	Transmission Lines—Yellow Green	Assembly.		1		T-7613231 P48 to P53	0	2	1	1	E-13017	
E-13018	Pedestal Elbow—Yellow Green	Assembly.		1		T-7613231 P54, P55	0	4	1	1	E-13018	
E-13019	Main Concentric Line—Yellow Green	Assembly.		1		M-7412863 G4	0	1	1	1	E-13019	
E-13020	Balance-Converter Yellow Green	Assembly.		1		M-7416921 G2	0	1	1	1	E-13020	
E-13021 to E-13029	Not Used											
E-13030	Short Removable I.F.F. Dipoles Assembly	Purple I.F.F. Dipoles (VHF).		1		M-7412869 G2	0		0	2	E-13030	
E-13031	Not Used											
E-13032	Multiple Removable I.F.F. Dipoles—Assy.	U.H.F. Dipoles (Mark 4—Group).		1		M-7412869 G4	0		0	2	E-13032	
E-13033	Insulator	For U.H.F. Dipoles (Mark 4—Group)		1		K-7814818 P1	16	1	4	2	4	E-13033
E-13034	Disc. Insulator	For H.F. Purple and V.H.F. Orange Dipoles.		1		M-7412364 P1	16	4	4	8	16	E-13034
E-13035 to E-13041	Not Used											
E-13042	Balance Converter	For U.H.F. Dipoles (Mark 4—Group).		1		P-771446 G1	0	1	2	2	E-13042	
E-13043	Frame Assembly— I.F.F. Right End	For U.H.F. Dipoles (Mark 4—Group).		1		T-7611486 G1	0	2	1	1	E-13043	
E-13044	Frame Assembly— I.F.F. Array Left-End	For U.H.F. Dipole (Mark 4—Group).		1		T-7611486 G2	0	2	1	1	E-13044	
E-13045	Frame Assembly— I.F.F. Array Right Center	For U.H.F. Dipole (Mark 4—Group).		1		T-7611495 G1	0	2	1	1	E-13045	
E-13046	Frame Assembly— I.F.F. Array Left Center	For U.H.F. Dipole (Mark 4—Group).		1		T-7611495 G2	0	2	1	1	E-13046	

PARTS AND SPARE PARTS LIST

NAVSHIPS 900,946

SECTION 8

8-211

TABLE 8-2 (Continued)

COMBINED PARTS AND SPARE PARTS LIST BY SYMBOL DESIGNATION

FOR NAVY MODELS SR AND SR-a RADAR EQUIPMENTS

See Notes	Symbol Desig.	Function	Description	Navy Type Number	Navy Spec. or Drawing Number	Mfr.	Mfr. Desig.	Special Tol. Rating or Modification	Contractor's Drawing and Part Number	Equip.		Tender		All Symbol Designations Involved
										Box Number	Quantity	Box Number	Quantity	
	ANTENNA (Continued)													
	E-13047	I.F.F. Dipole—Concentric Line Assembly	For V.H.F. Dipole (Orange).			1			T-7613742 G1	0	1	1	1	E-13047
	E-13048	I.F.F. Dipole—Concentric Line Assembly	For V.H.F. Dipole (Orange).			1			T-7613742 G2	0	1	1	1	E-13048
	E-13049	Not Used												
	E-13050	Not Used												
	E-13051	I.F.F. Dipole—Concentric Line Assembly	For V.H.F. Dipole (Orange).			1			T-7613743 G1	0	1	1	1	E-13051
	E-13052	I.F.F. Dipole—Concentric Line Assembly	For V.H.F. Dipole (Orange).			1			T-7613743 G2	0	1	1	1	E-13052
	E-13053	Not Used												
	E-13054	Not Used												
	E-13055	I.F.F. Dipole Element	For Purple Dipole (HF).			1			M-7412547 G2	0	2	8	8	E-13055
	E-13056	I.F.F. Dipole Element	For Orange Dipole (VHF).			1			M-7412547 G1	0	2	8	8	E-13056
	H-13001	Not Used												
	H-13002	Not Used												
	H-13003	Not Used												
	H-13004 to H-13008	Not Used												
	H-13009	Not Used												

8-212

ORIGINAL

SECTION 8

NAVSHPIS 900,946

PARTS AND SPARE PARTS LIST

ORIGINAL

H-13010 to H-13012	Not Used																			
H-13013	Bolt	Hex. Hd. Mach. Chr. Ni. Sil., $\frac{3}{4}$ -10 x $1\frac{1}{2}$.		1						T-7611858 P51	0	0	4	H-13013						
H-13014	Nut	Hex. Castellated Chr. Ni. Sil., $\frac{3}{4}$ -10.		1						T-7611858 P52	0	0	4	H-13014						
H-13015	Lockwasha	St. Steel for $\frac{3}{4}$ " Dia.		1						T-7611858 P53	0	0	4	H-13015						
H-13016	Cotter Pin	$\frac{1}{8}$ Dia. x $1\frac{1}{2}$ Stainless Steel.		1						T-7611858 P54	0	0	4	H-13016						
H-13017	Pipe Plug.	Stainless Steel, $\frac{1}{8}$ ".		1						T-7611858 P55	0	0	4	H-13017						
H-13018	Pipe Compound.			1						T-7611858 P56	0	0	1 Set	H-13018						
H-13019	Screw	Hex. Hd. Mach. $\frac{1}{4}$ -20 x $\frac{7}{8}$ Lg., Stainless Steel.		1						T-7611858 P57	0	0	12	H-13019						
H-13020	Nut	Hex. for $\frac{1}{4}$ -20 Screw, Stainless Steel.		1						T-7611858 P58	0	0	64	H-13020						
H-13021	Lockwasher	Split for $\frac{1}{4}$ Dia. Screw, Stainless Steel.		1						T-7611858 P59	0	0	76	H-13021						
H-13022	Screw	Binding Hd. Mach., # 10-32 x $\frac{3}{8}$, Stainless Steel.		1						T-7611858 P60	0	0	36	H-13022						
H-13023	Lockwasher	Split for # 10-Screw, Stainless Steel.		1						T-7611858 P61	0	0	58	H-13023						
H-13024	Screw	Hex. Hd. Machine, $\frac{1}{4}$ -20 x $\frac{5}{8}$, Stainless Steel.		1						T-7611858 P62	0	0	4	H-13024						
H-13025	Screw	Hex. Hd. Machine, $\frac{1}{4}$ -20 x $\frac{3}{4}$, Stainless Steel.		1						T-7611858 P63	0	0	48	H-13025						
H-13026	Screw	Binding Hd. Machine, # 10-32 x $\frac{5}{8}$, Stainless Steel.		1						T-7611858 P64	0	0	16	H-13026						
H-13027	Nut	Hex. for # 10-32 Screw, Stainless Steel.		1						T-7611858 P65	0	0	44	H-13027						
H-13028	Screw	Hex. Hd. Machine, $\frac{1}{2}$ -13 x $1\frac{1}{4}$, Stainless Steel.		1						T-7611858 P66	0	0	8	H-13028						
H-13029	Lockwasha	Split for $\frac{1}{2}$ Screw, Stainless Steel.		1						T-7611858 P67	0	0	8	H-13029						
H-13030	Nut	Hex. for $\frac{7}{16}$ -14, Screw, Stainless Steel.		1						T-7611858 P68	0	0	4	H-13030						
H-13031	Lockwasher	Split for $\frac{1}{16}$ Screw, Stainless Steel.		1						T-7611858 P69	0	0	4	H-13031						

PARTS AND SPARE PARTS LIST

NAVSHIPS 900,946

SECTION 8

8-213

TABLE 8-2 (Continued)

COMBINED PARTS AND SPARE PARTS LIST BY SYMBOL DESIGNATION

FOR NAVY MODELS SR AND SR-a RADAR EQUIPMENTS

See Notes	Symbol Desig.	Function	Description	Navy Type Number	Navy Spec. or Drawing Number	Mfr.	Mfr. Desig.	Special Tol. Rating or Modification	Contractor's Drawing and Part Number	Equip.		Tender		All Symbol Designations Involved
										Box Number	Quantity	Box Number	Quantity	
ANTENNA (Continued)														
	H-13032	Screw	Hex. Hd. Cap. $\frac{3}{4}$ -10 x 2, Stainless Steel.			1			T-7611858 P70	0	0	4		H-13032
	H-13033	Nut	Hex. for $\frac{3}{4}$ -10 Screw, Stainless Steel.			1			T-7611858 P71	0	0	4		H-13033
	H-13034	Lockwasher	Split for $\frac{3}{4}$ Screw, Stainless Steel.			1			T-7611858 P72	0	0	4		H-13034
	H-13035	Screw	Hex. Hd. Cap. $\frac{1}{4}$ -20 x $\frac{3}{4}$, Stainless Steel.			1			T-7611859 P73	0	0	12		H-13035
	H-13036	Screw	Hex. Hd. Cap. $\frac{5}{16}$ -18 x $1\frac{1}{4}$ " Stainless Steel.			1			T-7611859 P74	0	0	6		H-13036
	H-13037	Screw	# 10-32 x $\frac{7}{8}$ Lg. Drilled Fil. Hd. Aircraft Screw, Nickel Steel.			57	AN-502		T-7611859 P75	0	0	6		H-13037
	H-13038	Lockwasher	Split, for $\frac{5}{16}$ Screw, Stainless Steel.			1			T-7611859 P76	0	0	6		H-13038
	H-13039	Screw	Allen Hollow Set Dog Pt. # 8-32 x $\frac{5}{16}$, Stainless Steel.			75			T-7611859 P77	0	0	1		H-13039
	H-13040	Screw	# 10-32 x 1 Lg., Drilled Fil. Hd. Aircraft Screw, Nickel Steel.			57	AN-502		T-7611859 P78	0	0	12		H-13040
	H-13041	Lockwasher	Split for # 10-32 Screw, Stainless Steel.			1			T-7611859 P79	0	0	20		H-13041
	H-13042	Not Used												
	H-13043	Clamp				1			K-7816144 P1	0	0	8		H-13043
	H-13044	Cap				1			K-7816147 P1	0	0	6		H-13044
	H-13045	Not Used												
	H-13046	Clamp				1			M-7415648 P4	0	0	2		H-13046
	H-13047	Clamp				1			M-7415648 P5	0	0	2		H-13047
	H-13048	Clamp				1			M-7415648 P6	0	0	2		H-13048

ORIGINAL

H-13049	Clamp		1		M-7415648 P8	0	0	4	H-13049
H-13050	Clamp		1		K-7817924 P1	0	0	4	H-13050
H-13051	Screw	Drilled Fil. Hd. Aircraft # 10-32 x 1 1/8 Nickel Steel.	57	AN-502	T-7611859 P89	0	0	8	H-13051
H-13052 to H-13054	Not Used								
H-13055	Brazing Alloy	Castolin # 160.	59		T-7613231 P2	0	4	1	H-13055
H-13056 to H-13059	Not Used								
H-13060	Nut	Hex. for 1/4-20 Screw, Stainless Steel.	1		T-7613232 P23	0	0	40	H-13060
H-13061	Lockwasher	Split for 1/4 Dia. Screw, Stainless Steel.	1		T-7613232 P24	0	0	40	H-13061
H-13062	Lockwasher	Split for # 10 Screw, Stainless.	1		T-7613232 P25	0	0	4	H-13062
H-13063	Screw	Hex. Hd. Machine, 1/4-20 x 3/4, Stainless Steel.	1		T-7613232 P26	0	0	40	H-13063
H-13064	Nut	Hex. for # 10-32 Screw, Stainless Steel.	1		T-7613232 P27	0	0	4	H-13064
H-13065	Screw	Hex. Hd. Cap, 1/4-20 x 3/4, Stainless Steel.	1		T-7613232 P28	0	0	96	H-13065
H-13066	Lockwasher	Split for 1/4 Screw, Stainless Steel.	1		T-7613232 P29	0	0	96	H-13066
H-13067	Nut	Hex. for 1/4-20 Screw, Stainless Steel.	1		T-7613232 P30	0	0	96	H-13067
H-13068	Screw	# 6-32 x 3/4 Lg., Drilled Fil. Hd., Screw, Nickel Steel.	57	Type AC-503	T-7613232 P31	0	0	64	H-13068
H-13069	Lockwasher	Split for # 6 Screw, Stainless Steel.	1		T-7613232 P32	0	0	64	H-13069
H-13070	Washer	Lead for 1/4 Screw.	1	S# 867-317	T-7613232 P33	0	0	8	H-13070
H-13071	Washer	Plain for 1/4 Screw, Stainless Steel.	1		T-7613232 P34	0	0	8	H-13071
H-13072	Nut		1		K-7816156 P1	0	0	16	H-13072
H-13073	Nut	Hex. for # 10-32 Screw, Stainless Steel.	1		T-7613232 P36	0	0	4	H-13073
O-13001	Gasket		1		M-7412942 P1	16	2	4	O-13001
O-13002	Gasket		1		M-7412942 P3	16	2	4	O-13002

PARTS AND SPARE PARTS LIST

NAVSHIPS 900,946

SECTION 8

8-215

TABLE 8-2 (Continued)

COMBINED PARTS AND SPARE PARTS LIST BY SYMBOL DESIGNATION

FOR NAVY MODELS SR AND SR-a RADAR EQUIPMENTS

See Notes	Symbol Desig.	Function	Description	Navy Type Number	Navy Spec. or Drawing Number	Mfr.	Mfr. Desig.	Special Tol. Rating or Modification	Contractor's Drawing and Part Number	Equip.		Tender		All Symbol Designations Involved	
										Box Number	Quantity	Box Number	Quantity		Stock
	ANTENNA (Continued)														
	O-13003	Not Used													
	O-13004	Gasket				1			M-7412942 P7	16	6	4	12	24	O-13004
	O-13005	Gasket				1			M-7412942 P9	16	2	4	4	8	O-13005
	O-13006	Gasket				1			M-7816149 P1	16	2	4	4	8	O-13006
	O-13007	Gasket				1			K-7814891 P1	16	2	4	4	8	O-13007
	O-13008	Gasket—Main Line Tee				1			K-7816160 P1	16	1	4	2	4	O-13008
	O-13009	Gasket				1			K-7818112 P1	16	2	4	4	8	O-13009
	O-13010	Gasket				1			M-7412942 P10	16	2	4	4	8	O-13010
	O-13011 to O-13019	Not Used													
	O-13020	Gasket				1			M-7412942 P2	16	8	4	16	32	O-13020
	O-13021	Gasket				1			M-7412942 P5	16	2	4	4	8	O-13021
	O-13022	Gasket				1			M-7412942 P6	16	2	4	4	8	O-13022
	O-13023	Gasket				1			M-7412942 P8	16	8	4	16	32	O-13023
	O-13024	Gasket				1			M-7417685 P1	16	8	4	16	32	O-13024
	P-13001	Not Used													
	P-13002	Contact Pin				56	R-10D2 35C3		T-7611858 P13	16	1	4	1	2	P-13002
	P-13003	Connector				56	R-10D1 35		T-7611858 P14	16	1	4	1	2	P-13003

ORIGINAL

P-13004	Not Used																		
P-13005	Reducer Assembly —Aux. Line				1					M-7416063 P1	16	1	4	1	2				P-13005
P-13006	Not Used																		
P-13007	Not Used																		
P-13008	Not Used																		
P-13009	Bellows				1					M-7415915 G1	16	1	4	1	2				P-13009
P-13010	Reducer Assy.	Main Line.			1					P-7714022 G1	16	1	4	1	2				P-13010
P-13011	Connector—Bal- ance Converter				1					M-7416469 P1	16	1	4	1	2				P-13011
P-13012	Terminal Assy.— Balance Converter				1					M-7416101 G1	16	1	4	1	2				P-13012
P-13013	Terminal Assy.— Balance Converter				1					M-7416100 G1	16	1	4	1	2				P-13013
P-13014 to P-13019	Not Used																		
P-13020	Plug—Balance Converter				1					K-7814819 P1	16	1	4	2	4				P-13020
P-13021	Connector—Bal- ance Converter				1					M-7412564 G1	16	1	4	2	4				P-13021
P-13022	Plug				36	Cinch # 152- 102				T-7613232 P10	16	6	4	6	12				P-13022
	Wrench—Spanner	Wrench.			1					M-7416391 G1	16	1	4	1	2				
	Wrench—Spanner	Wrench, 7/16 Dia. Pin.			58	# 454				T-7611859 P134	16	1	4	1	2				
	Wrench	Wrench, Long Arm Set Screw.			1					M-7415506 P1	16	1	4	1	2				
	Wrench—Spanner	Wrench, 7/16 Dia. Pin.			58	# 454				T-7613232 P51				1	1	2			
	Wrench—Spanner	Wrench, 5/16 Dia. Pin.			58	# 452				T-7613232 P50				1	1	2			

PARTS AND SPARE PARTS LIST

NAVSHIPS 900,946

SECTION 8

8-217

TABLE 8-2 (Continued)

COMBINED PARTS AND SPARE PARTS LIST BY SYMBOL DESIGNATION

FOR NAVY MODELS SR AND SR-a RADAR EQUIPMENTS

See Notes	Symbol Desig.	Function	Description	Navy Type Number	Navy Spec. or Drawing Number	Mfr.	Mfr. Desig.	Special Tol. Rating or Modification	Contractor's Drawing and Part Number	Equip.		Tender		All Symbol Designations Involved
										Box Number	Quantity	Box Number	Quantity	
	TRANSCEIVER MODIFICATION KIT													
	E-140	Terminal Strip	Terminal Board.			21	# 4142		T-7615479 P3	0	2	2	2	E-140, E-141
	E-140A	Terminal Strip	Marker for E-140, E-141.			1			M-7420322 P1	0	1	1	1	E-140A
	E-141	Terminal Strip	Same as E-140.											
	E-142	Standoff Insulator	Insulator.			1	S # 867-546		T-7615479 P4	0	3	6	6	E-142
	F-101	Fuse—Plate Supply	60 Amps., 250 Volts Non-Renewable, Cartridge Type.	-28079-60	17-F-2 (Int.)	4	# 250-50		K-7820808 P24	20	40	100	100	F-101, F-102
	F-102	Fuse—Plate Supply	Same as F-101.											
	F-103 to F-108	Not Used												
	F-109	Fuse—T-101 Primary	40 Amps., 250 Volts, Non-Renewable, Cartridge Type.	-28044-40	17-F-2 (Int.)	4	# 250-30		K-7820808 P25	20	40	100	100	F-109, F-110
	F-110	Fuse—T-101 Primary	Same as F-109.											
	H-140	Clip—Resistor	Fuse Clip Type.			1			T-7610465 P5	0	0	6	6	H-140
	J-107	Jack—High Voltage Input	Pulse Connector, Receptacle, Type "B" Air to Air.	UG-37/U		19	UG-37/U		T-7615479 P16	1	2	4	4	J-107, J-108
	J-108	Jack—Pulse Input	Same as J-107.											
	P-107	Plug—High Voltage Input	Pulse Connector, Plug, Type "B"—Use with 27/U Cable.	UG-36/U		19	UG-36/U		T-7615479 P27	1	2	4	4	P-107, P-108
	P-108	Plug—Pulse Input	Same as P-107.											

ORIGINAL

R-116	Potentiometer— Amplitude Trigger.	50 Ohms, 2 Watts.	-632726-10	11	Type J	T-7611594 P4	1	3	5	R-116
R-117 to R-120	Not Used									
R-121	Resistor—Grid Leak	50 Ohms = 5%, 90 Watts, Non- Inductive, Grade 1, Class 2.		16	90NIF	T-7615479 P17	1	2	3	R-121
R-122	Resistor—Grid Leak	80 Ohms = 5%, 90 Watts, Non- Inductive, Grade 1, Class 2.		16	90NIF	T-7615479 P18	1	2	3	R-122
R-123	Resistor—Grid Leak	100 Ohms = 5%, 90 Watts, Non- Inductive, Grade 1, Class 2.		16	90NIF	T-7615479 P19	1	2	3	R-123
T-110	Transformer— Pulse	675 Kw., 6.1 Kv. to 15 Kv., 200 PPS. Wdg. Volts Turns Wire P 6.1 Kv. 15 #18 S 15 Kv. 38 #26	-303037	1		L-426665	1	2	3	T-110
ECHO BOX ANTENNA CAY-66AHK										
A-13100	Echo Box Antenna			1		P-7710890 G1	0	0	2	A-13100

PARTS AND SPARE PARTS LIST

NAVSHIPS 900,946

SECTION 8

8-219

8-220

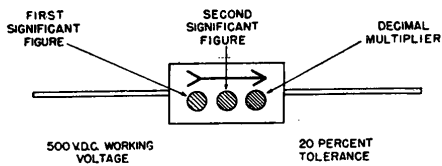
SECTION 8

NAVSHIPS 900 946

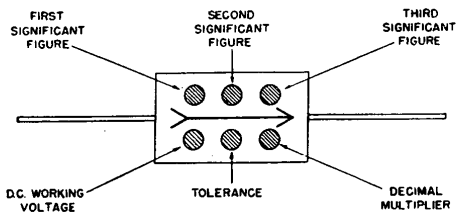
APPLICABLE COLOR CODES

RMA COLOR CODE

CAPACITORS (MMFD)



COLOR	NUMERAL	VOLTS	MULTIPLIER	TOLERANCE
BLACK	0		1	
BROWN	1	100		1%
RED	2	200	100	2%
ORANGE	3	300	1,000	3%
YELLOW	4	400	10,000	4%
GREEN	5	500	100,000	5%
BLUE	6	600	1,000,000	6%
VIOLET	7	700	10,000,000	7%
GREY	8	800	100,000,000	8%
WHITE	9	900	1,000,000,000	9%
GOLD		1000	0.1	5%
SILVER		2000	0.01	10%
NO COLOR		500		20%

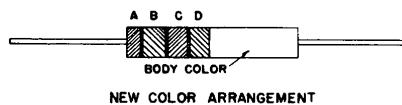
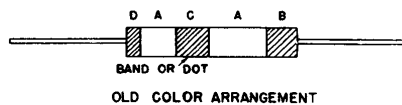


RESISTORS (OHMS)

COLOR	A 1ST DIGIT	B 2ND DIGIT	C MULTIPLIER
SILVER			0.01
GOLD			0.1
BLACK		0	1.0
BROWN	1	1	10
RED	2	2	100
ORANGE	3	3	1,000
YELLOW	4	4	10,000
GREEN	5	5	100,000
BLUE	6	6	1,000,000
PURPLE	7	7	10,000,000
GREY	8	8	100,000,000
WHITE	9	9	

D - TOLERANCE CODE

GOLD - 5% SILVER - 10% NO COLOR - 20%



BODY COLOR (NEW COLOR ARRANGEMENT ONLY) INDICATES TYPE OF RESISTORS, AS FOLLOWS:-
 BLACK - COMPOSITION, NON-INSULATED
 TAN, OLIVE OR WHITE - COMPOSITION, INSULATED
 DARK BROWN - WIRE WOUND, INSULATED

FOR NAVY MODELS SR AND SR-a RADAR EQUIPMENTS

APPLICABLE COLOR CODES

TABLE 8-3

ORIGINAL

TABLE 8-4
LIST OF MANUFACTURERS

FOR NAVY MODELS SR AND SR-a RADAR EQUIPMENTS

Code Number	Mfr. Prefix	Name	Address	Code Number	Mfr. Prefix	Name	Address
1	CAY	Westinghouse Electric Corporation	2519 Wilkens Avenue Baltimore, Md.	17	CWE	Adams & Westlake Co.	319 W. Ontario Street Chicago, Ill.
2	CBX	Bodine Electric Co.	2245 W. Ohio Street Chicago, Ill.	18	CPH	American Phenolic Corp.	1250 W. Van Buren St. Chicago, Ill.
3		I.L.G. Electric Ventilating Co.	2850 N. Crawford Ave. Chicago, Ill.	19		Ucinite Co. (Div. of United Carr Fastener)	1 Nevada Street Newtonville, Mass.
4	CFA	Bussman Mfg. Co.	2538 W. University Ave. St. Louis, Mo.	20	CIM	Eitel McCullough, Inc.	San Bruno, Calif.
5		Dial Light Co. of America, Inc.	92 West Street New York, N. Y.	21	CJC	Howard B. Jones Co.	2300 Wabansia Ave. Chicago, Ill.
6	CRC	R.C.A. Mfg. Co. (Raditron Div.)	Harrison, N. J.	22	CQA	Astatic Corp.	830 Market Street Youngstown, Ohio.
7	CG	General Electric Co.	Schenectady, N. Y.	23	CNA	National Co., Inc.	61 Sherman Street Malden, Mass.
8	CAT	American Transformer Co.	172 Emmet Street Newark, N. J.	24	CAE	Cutler Hammer, Inc.	1333 W. St. Paul Ave. Milwaukee, Wisc.
9	CABU	Superior Electric Co.	32 Harrison Street Bristol, Conn.	25		Lord Mfg. Co.	Erie, Pa.
10	CHH	Arrow, Hart & Hegeman Electric Co.	102 Hawthorne Street Hartford, Conn.	26	CBI	Corning Glass Works	1942 Crystal Street Corning, N. Y.
11	CBZ	Allen Bradley Co.	118 W. Greenfield Ave. Milwaukee, Wisc.	27		Continental Rubber Works	Erie, Pa.
12	CD	Cornell Dubilier Elec. Corp.	1000 Hamilton Blvd. South Plainfield, N. J.	28	CDA	Diehl Mfg. Co.	80 Trumbull Street Elizabethport, N. J.
13	CMU	Micro Switch Corp.	Freeport, Ill.	29	CER	Erie Resistor Corp.	644 W. 12th Street Erie, Pa.
14	CGC	General Control Co.	243 Broadway Cambridge, Mass.	30	CMC	Clarostat Mfg. Co.	287 N. Sixth Street Brooklyn, N. Y.
15	CDM	D. P. Mossman, Inc.	6021 N. Northwest Hgy. Chicago, Ill.	31	CLF	Littelfuse Laboratories, Inc.	4765 Ravenswood Ave. Chicago, Ill.
16	CSF	Sprague Specialties Co.	189 Beaver Street North Adams, Mass.	32	CRP	Raytheon Mfg. Co.	190 Willow Street Waltham, Mass.

ORIGINAL

8-221

SECTION 8

NAVSHPIS 900,946

LIST OF MANUFACTURERS

TABLE 8-4 (Continued)

LIST OF MANUFACTURERS

FOR NAVY MODELS SR AND SR-a RADAR EQUIPMENTS

Code Number	Mfr. Prefix	Name	Address	Code Number	Mfr. Prefix	Name	Address
33	CTE	Telephonics Corp.	350 W. 31st Street New York, N. Y.	48	CAS	American Lava Corp.	Cherokee Blvd. & Mfr's Rd., Chattanooga, Tenn.
34	COC	Oak Mfg. Co.	1200 N. Clybourne Ave. Chicago, Ill.	49	CJA	James Millen Co.	150 Exchange Street Malden, Mass.
35	CAG	General Radio Co.	30 State Street Cambridge, Mass.	50		Elastic Stopnut Co.	2330 Vauxhall Road Union, N. J.
36	CMG	Cinch Mfg. Co.	2339 W. Van Buren St. Chicago, Ill.	51		Shakeproof, Inc.	2501 N. Keeler Avenue Chicago, Ill.
37	CMA	P. R. Mallory & Co.	1941 Thomas St. Indianapolis, Ind.	52		Atlantic India Rubber Co.	1453 W. Van Buren St. Chicago, Ill.
38	CIU	Mendelsohn Speedgun Co.	457-461 Bloomfield Ave Bloomfield, N. J.	53	CCF	American Blower Corp.	6001-09 Russell Street Detroit, Mich.
39	CSL	Solar Mfg. Corp.	588 Avenue "A" Bayonne, N. J.	54	CFT	Federal Telephone and Radio Corp.	200 Mount Pleasant Ave Newark, N. J.
40	CAKD	Muter Co.	1255 S. Michigan Ave. Chicago, Ill.	55	CLR	Leach Relay Co.	5915 Avalon Blvd. Los Angeles, Calif.
41	CAO	Ward Leonard Electric Co.	6 South Street Mount Vernon, N. Y.	56		Chicksan Tool Co.	50 Church Street New York, N. Y.
42	CIR	International Resistance Co.	401 N. Broad Street Philadelphia, Pa.	57		Scovill Mfg. Co.	Waterbury, Conn.
43	CYA	Alden Products Co.	715 Center Street Brockton, Mass.	58		J. H. Williams Co.	400 Vulcan Street Buffalo, N. Y.
44	CBU	Isolantite, Inc.	Belleville, N. J.	59		Eutectic Welding Alloys Co.	44 Worth Street New York, N. Y.
45		Pierce Roberts Rubber Co.	Trenton, N. J.	60		Dzus Mfg. Co.	Babylon, N. Y.
46	CPQ	Speer Resistor Corp.	St. Mary's, Pa.	61	CYD	Bryant Electric Co.	Bridgeport, Conn.
47	CAW	Aerovox Corp.	New Bedford, Mass.	62	CBN	Central Radio Laboratory	900 East Keefe Avenue Milwaukee, Wis.

LIST OF MANUFACTURERS

NAVSHIPS 900,946

SECTION 8

ORIGINAL

63	CFW	F. W. Sickles Co.	Springfield, Mass.	82		Palmer Bee Co.	1753 Poland Avenue Detroit, Mich.
64	CKR	Kenrad Tube & Lamp Co.	Owensboro, Ky.	83	CDJ	Dejur-Amsco Corp.	Shelton, Conn.
65	CRY	C. P. Clare Co.	4719 W. Sunnyside Ave. Chicago, Ill.	84		Dielectric Products Co., Inc.	Jersey City, N. J.
66	CAN	Sangamo Electric Co.	Springfield, Ill.	85		American Hardware Corp.	New Britain, Conn.
67	CDU	Allen Dumont Labs., Inc.	2 Main Avenue Passaic, N. J.	86		Zierick Manufacturing Co.	Bronx Lehigh Bldg. 385 Gerard Ave. New York, N. Y.
68		Waterbury Brass Goods Co.	Waterbury, Conn.	87		L. N. Barry Co.	Cambridge, Mass.
69	CBH	Boston Gear Works	North Quincy, Mass.	88		Henrite Products Corp.	Ironton, Ohio
70		Wallace Barnes Co.	Bristol, Conn.	89		McEwan and Smith	Doylestown, Pa.
71	COM	Ohmite Mfg. Co.	4835 W. Flournoy St. Chicago, Ill.	90		Croasdale DeAngelus & Co.	Upper Darby, Pa.
72	CRP	Raytheon Production Corp.	55 Chapel Street Newton, Mass.	91	CG	General Electric Co.	Fort Wayne, Ind.
73		Chrysler Corp. Amplex Division	Detroit, Mich.	92	COE	Ohio Elec. Mfg. Co.	5900 Maurice Avenue Cleveland, Ohio
74	CWL	Westinghouse Lamp Co.	Bloomfield, N. J.	93	CWU	Wm. Wurdack Elec. Mfg. Co.	St. Louis, Mo.
75		Allen Mfg. Co.	133 Sheldon Street Hartford, Conn.	94	CM	Bendix Aviation Corp.	Marine Div. Brooklyn, N. Y.
76	CSA	Stackpole Carbon Co.	St. Mary's, Pa.	95	CHS	Sylvania Elec. Products Co.	Emporium, Pa.
77		Norma-Hoffman Bearings Corp.	Stamford, Conn.	96	CNU	National Union Radio Corp.	Newark, N. J.
78		New Departure Division, General Motors Sales Corp.	Murden Street Bristol, Conn.	97	CMR	Micamold Radio Corp.	Brooklyn, N. Y.
79		Garlock Packing Co.	Palmyra, N. Y.	98	CSD	Struthers Dunn, Inc.	Philadelphia, Pa.
80	CSR	Russell & Stoll Co.	125 Barclay Street New York, N. Y.	99		Electric Motor Corp.	Racine, Wisc.
81	CHU	Harvey Hubbell, Inc.	Bridgeport, Conn.				

8-223

8 SECTION

NAVSHIPS 900,946

LIST OF MANUFACTURERS